



US00D569863S

(12) **United States Design Patent**
Feldstein et al.

(10) **Patent No.: US D569,863 S**

(45) **Date of Patent: ** May 27, 2008**

(54) **TABLETOP MEDIA CENTER**

2005/0200249 A1* 9/2005 Voon et al. 312/223.3

(75) Inventors: **George Feldstein**, Rockleigh, NJ (US);
Stan Wisniewski, Pompton Plains, NJ
(US); **Tracy Thompson**, Norwood, NJ
(US)

* cited by examiner

Primary Examiner—Freda S. Nunn
(74) *Attorney, Agent, or Firm*—Richard A. Joel, Esq.

(73) Assignee: **Crestron Electronics Inc.**, Rockleigh,
NJ (US)

(57) **CLAIM**

The ornamental design for a tabletop media center, as shown
and described.

(**) Term: **14 Years**

(21) Appl. No.: **29/237,577**

DESCRIPTION

(22) Filed: **Sep. 1, 2005**

(51) **LOC (8) Cl.** **14-02**

(52) **U.S. Cl.** **D14/305**

(58) **Field of Classification Search** D14/304,
D14/305, 308, 218; D13/162, 164, 139.4,
D13/139.6; 361/627, 628, 631, 643, 644,
361/673; 439/131, 135, 142; 49/345; 312/223.1–223.3
See application file for complete search history.

FIG. 1 is a perspective view of the tabletop unit showing the
embodiment of the invention with buttons on the display;

FIG. 2 is a perspective view of a second embodiment of the
tabletop unit without buttons on the display;

FIG. 3 is a perspective view of the embodiment of FIG. 1
with the top cover in a closed position;

FIG. 4 is a top view of the embodiment of FIG. 1 with the
top cover in a closed position;

FIG. 5 is a top view comprising the embodiment of FIG. 1;
FIG. 6 is a left side view of the embodiment of FIG. 1 with
the tabletop removed and the top cover display in an open
position;

FIG. 7 is a front view of the embodiment of FIG. 1 with the
tabletop removed and the front face of housing in place;

FIG. 8 is a front view of the embodiment of FIG. 1 with the
tabletop and the front face of the housing removed; and,

FIG. 9 is a bottom view comprising the embodiment of FIG.
1.

The broken line showing of the tabletop in FIGS. 1–3 is for
illustrative purposes only and forms no part of the claimed
design.

(56) **References Cited**

U.S. PATENT DOCUMENTS

3,992,070	A *	11/1976	Dunn et al.	49/345
5,033,804	A *	7/1991	Faris	312/223.3
5,122,069	A *	6/1992	Brownlie et al.	439/131
D353,363	S *	12/1994	Toby	D13/139.4
5,913,582	A *	6/1999	Coonan	312/223.3
5,980,279	A *	11/1999	Muller	439/142
D421,961	S *	3/2000	Muller	D13/139.4
D437,827	S *	2/2001	Gershfeld	D13/139.4
D457,137	S *	5/2002	Gershfeld	D13/139.4
D460,736	S *	7/2002	Pincek et al.	D13/139.4
D462,678	S *	9/2002	Abboud	D14/304
D465,201	S *	11/2002	Gershfeld	D13/139.4
D473,525	S *	4/2003	Pincek et al.	D13/162
2004/0147147	A1 *	7/2004	Griepentrog	439/131

1 Claim, 5 Drawing Sheets

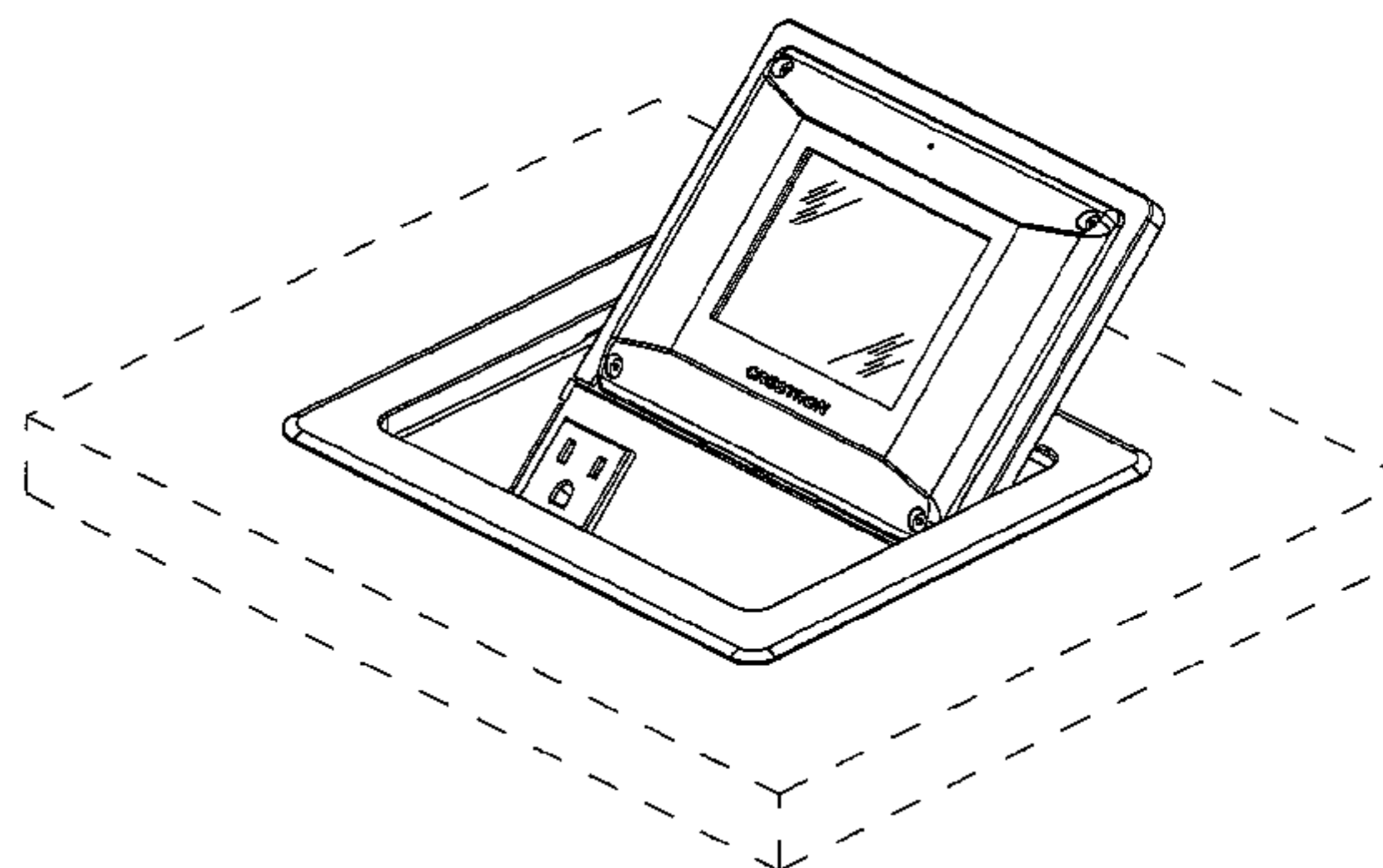
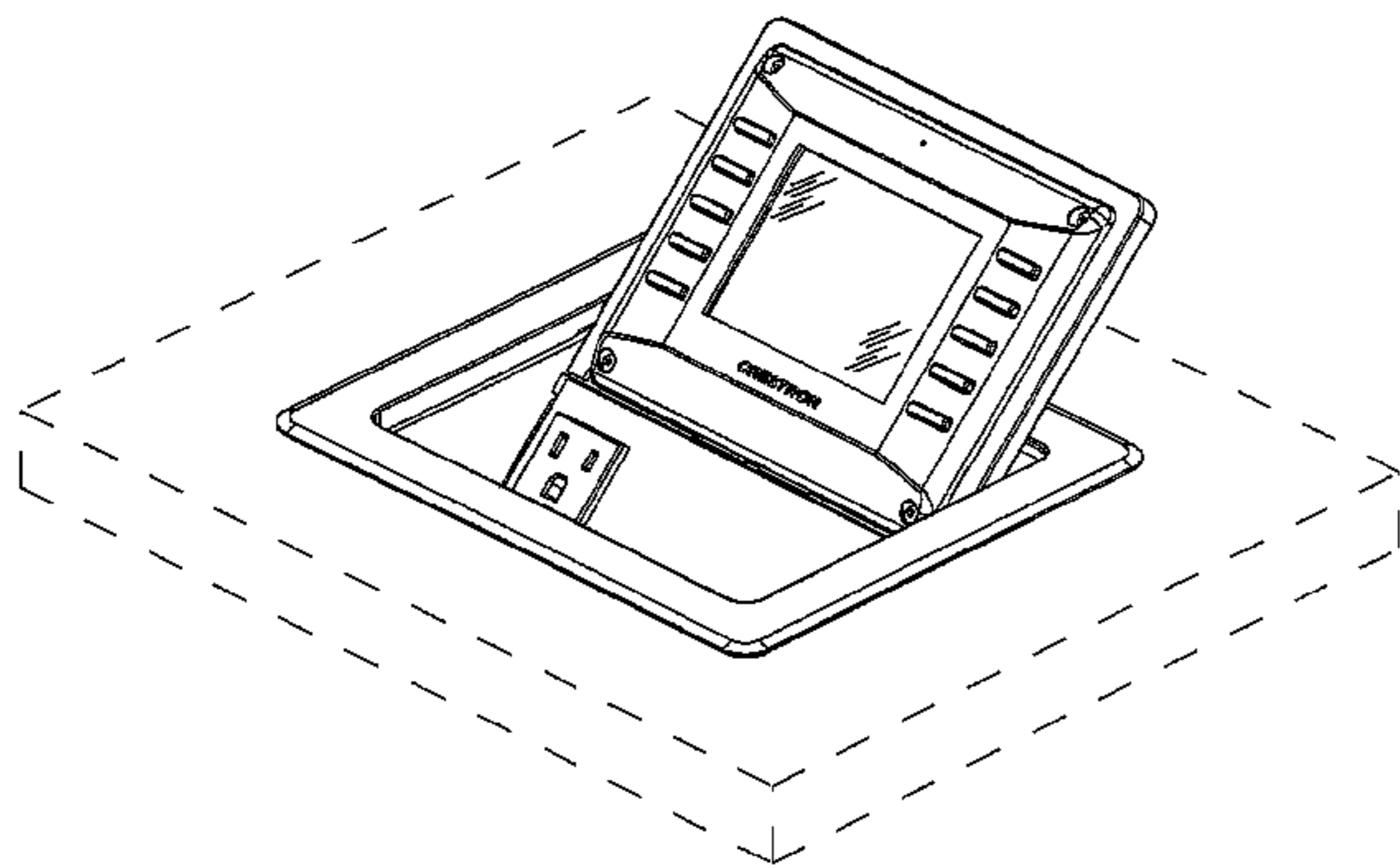


Figure 1

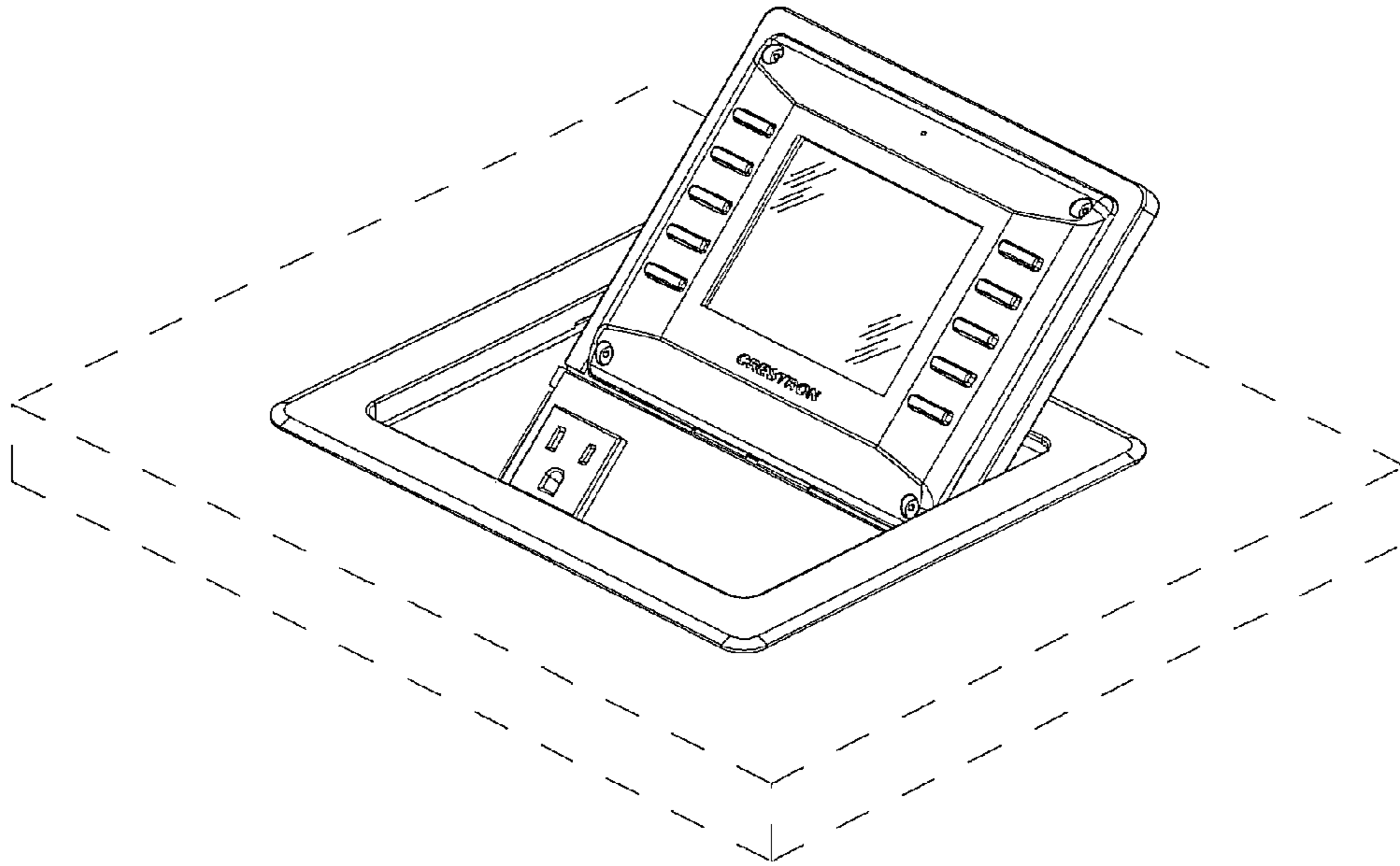


Figure 2

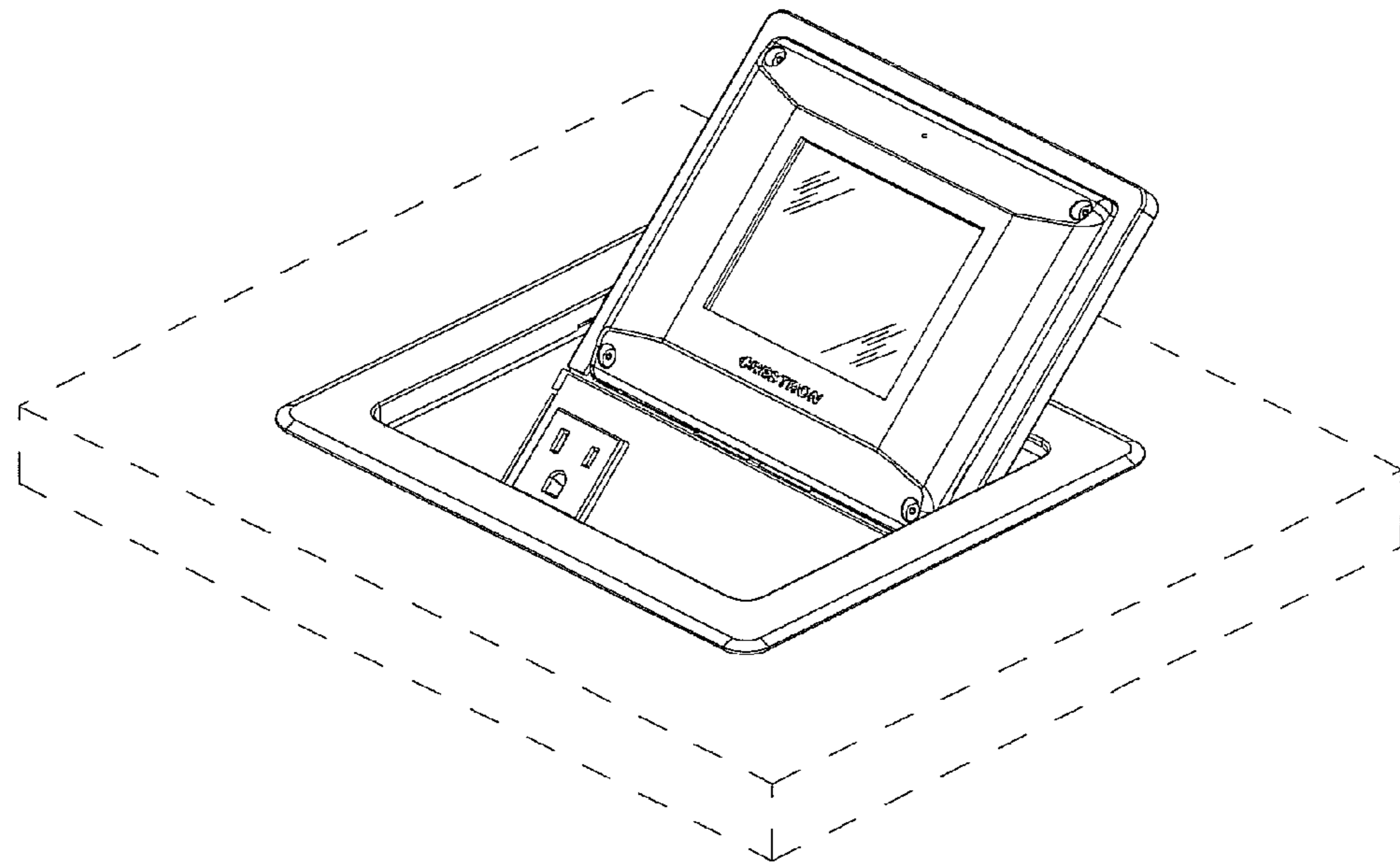


Figure 3

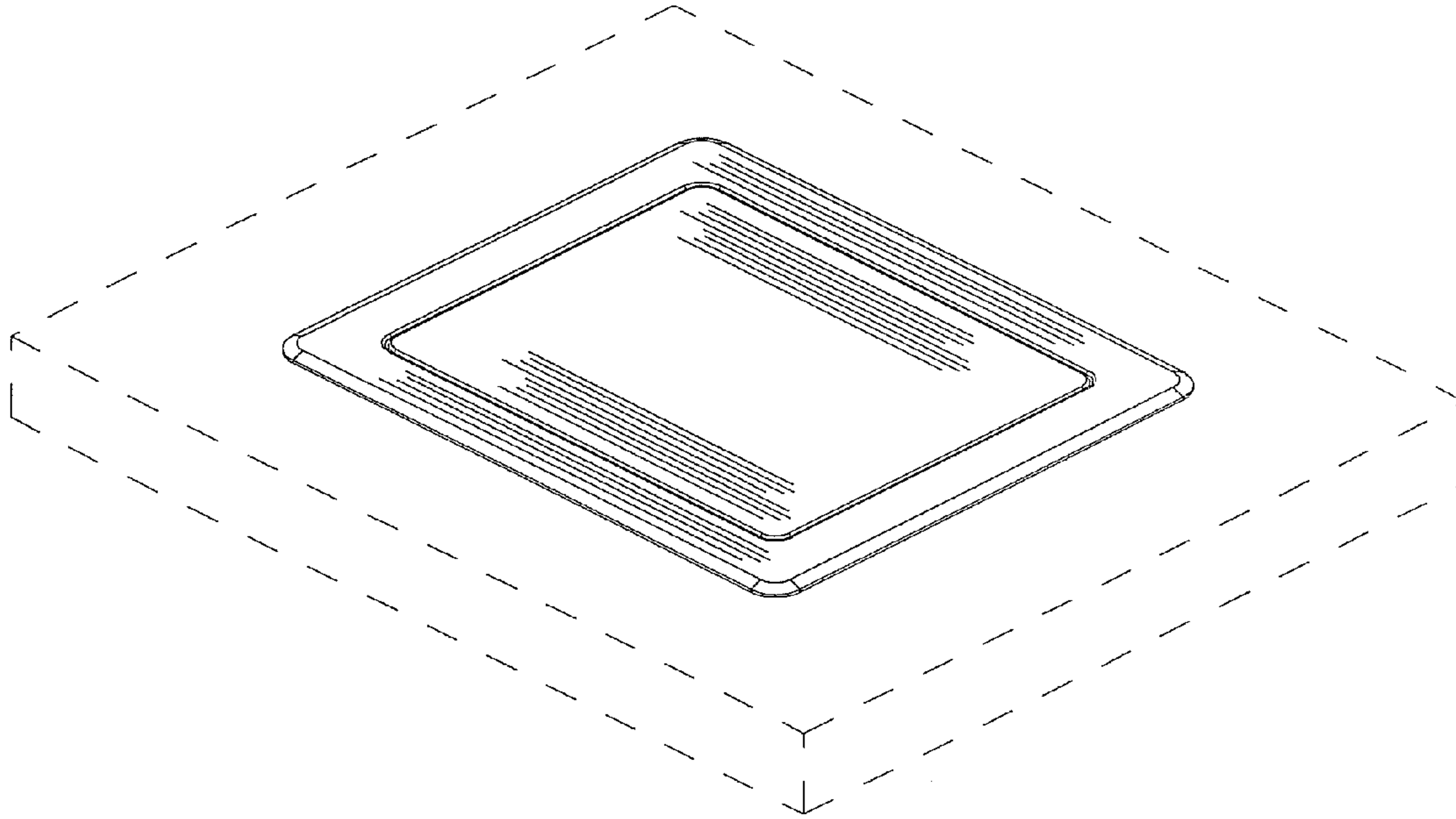


Figure 4

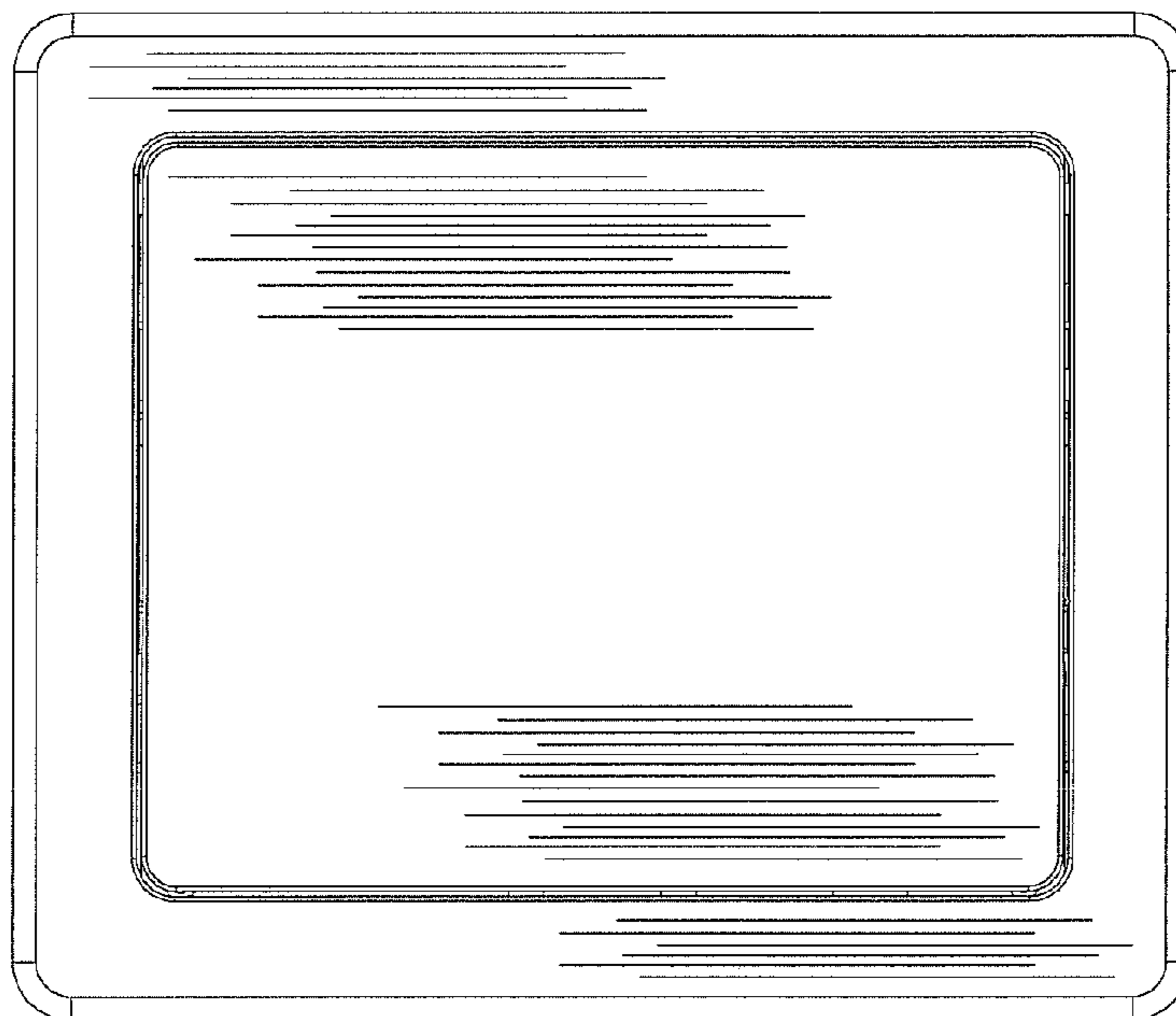


Figure 5

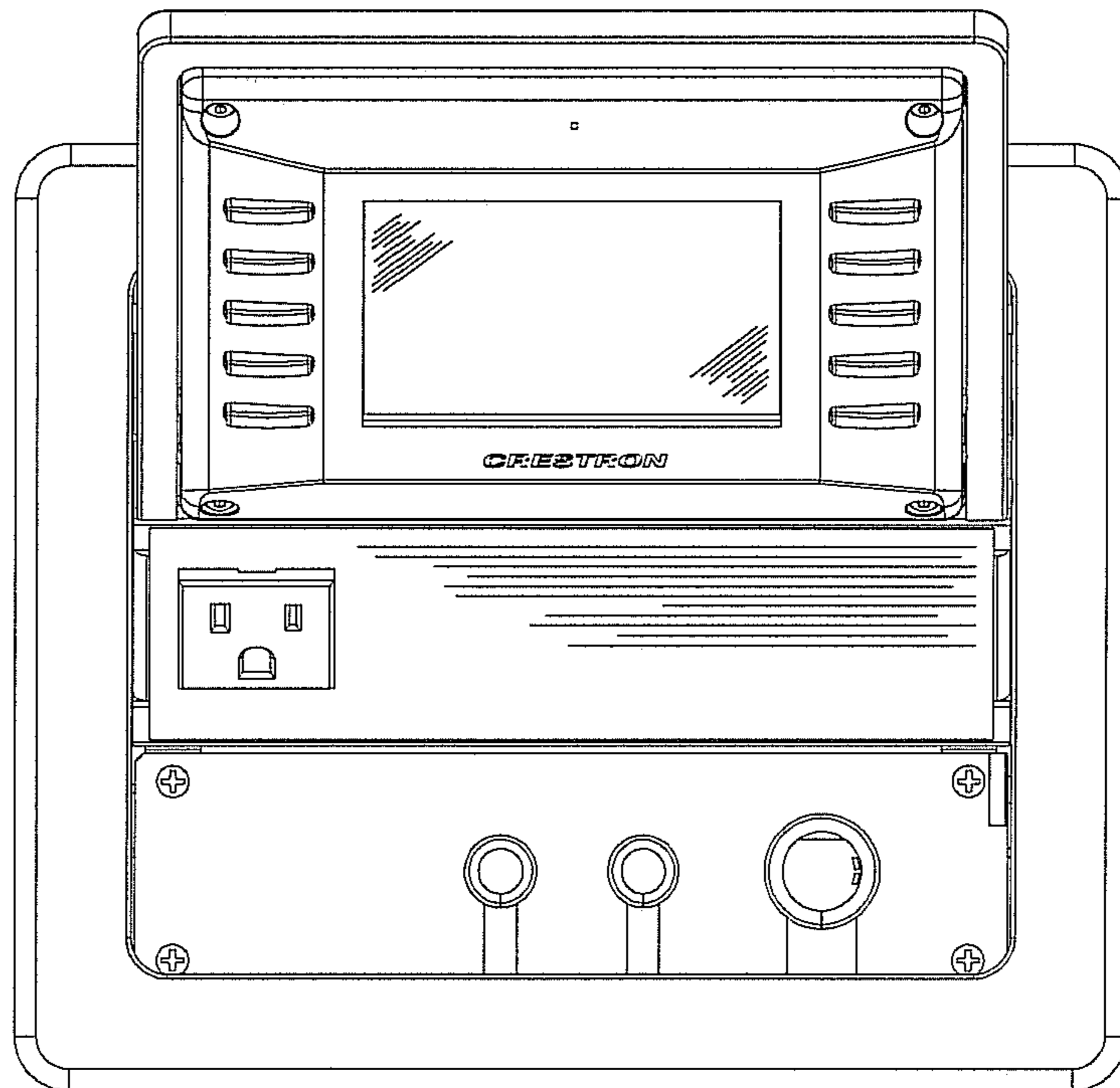


Figure 6

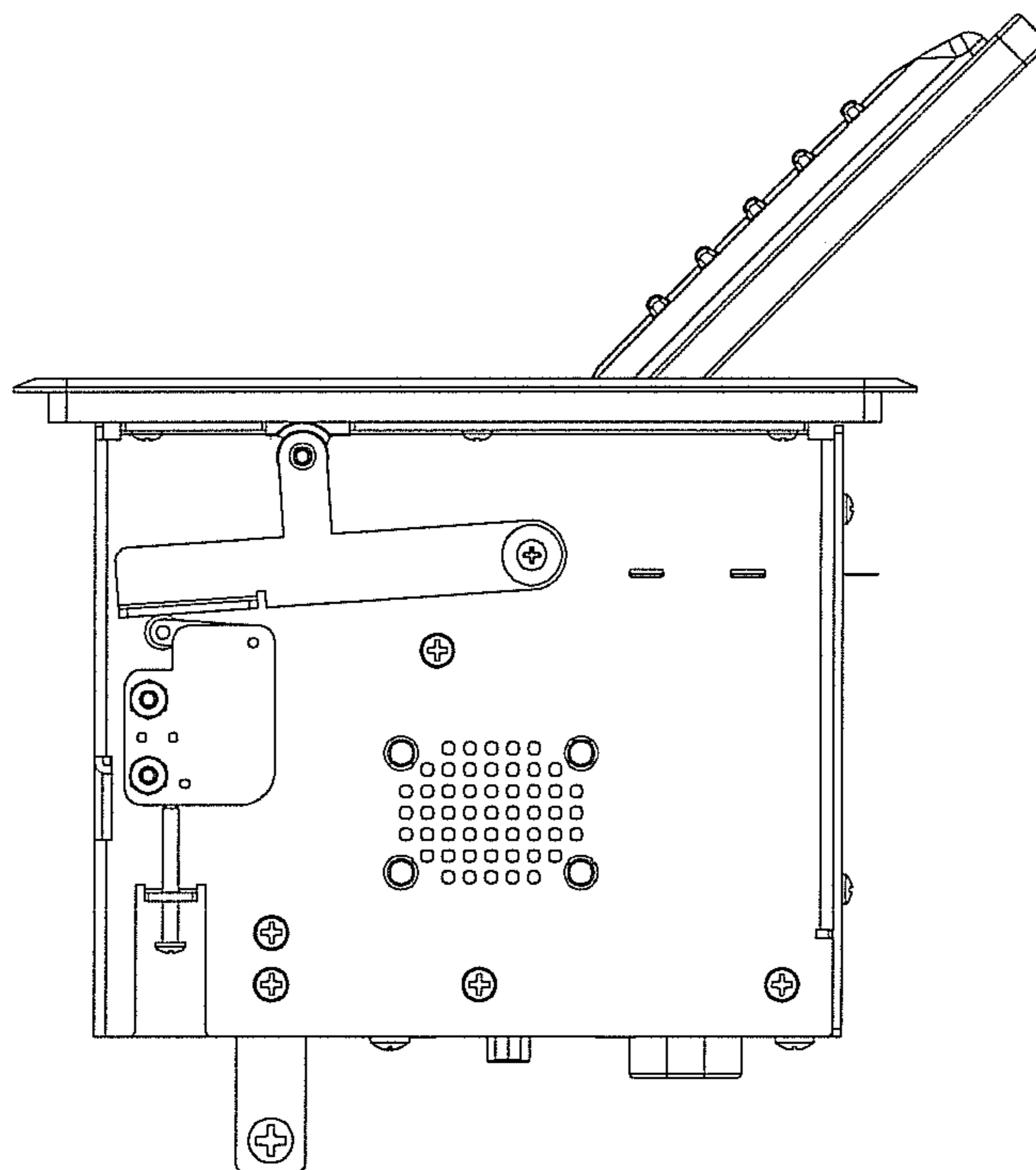


Figure 7

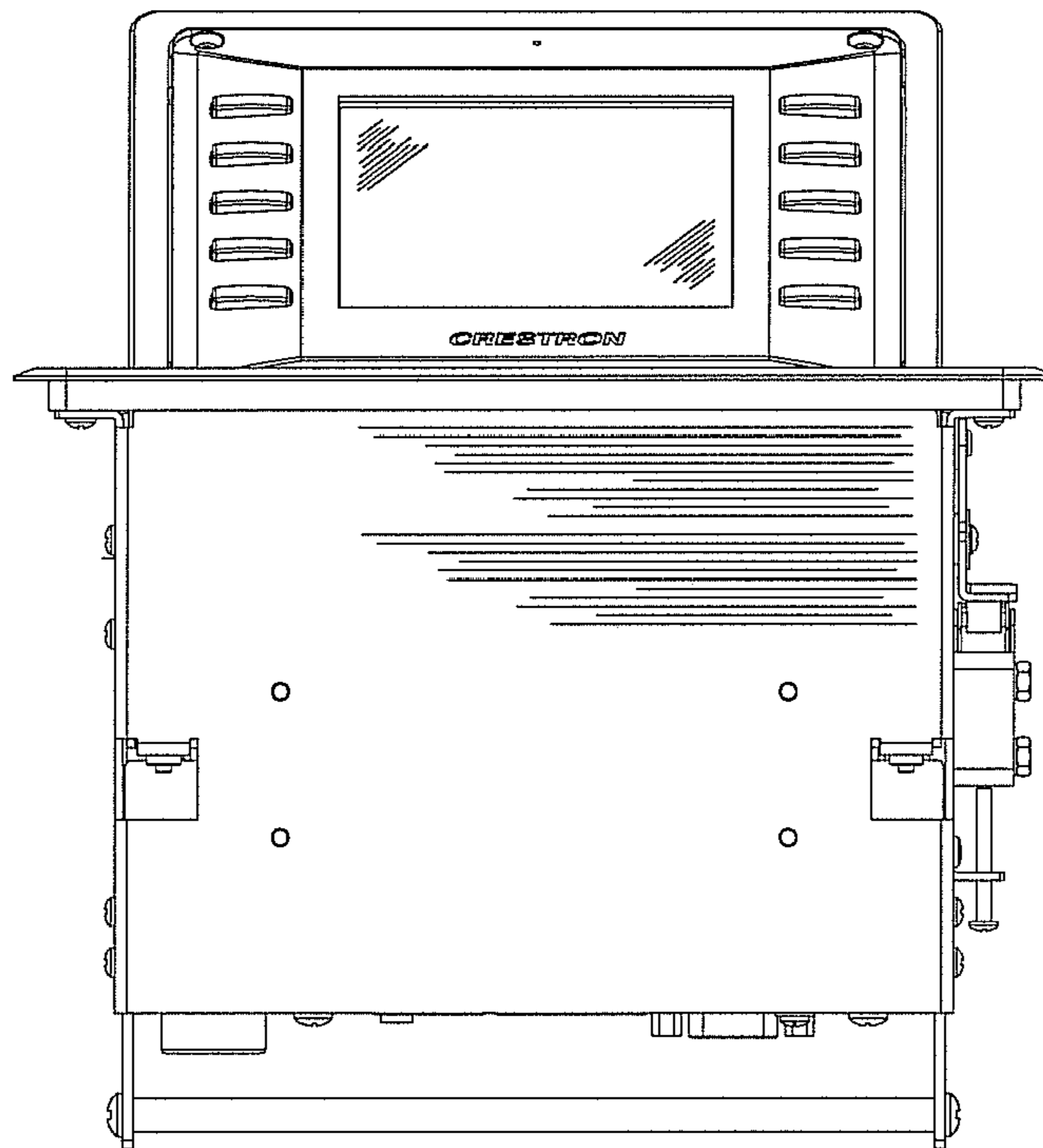


Figure 8

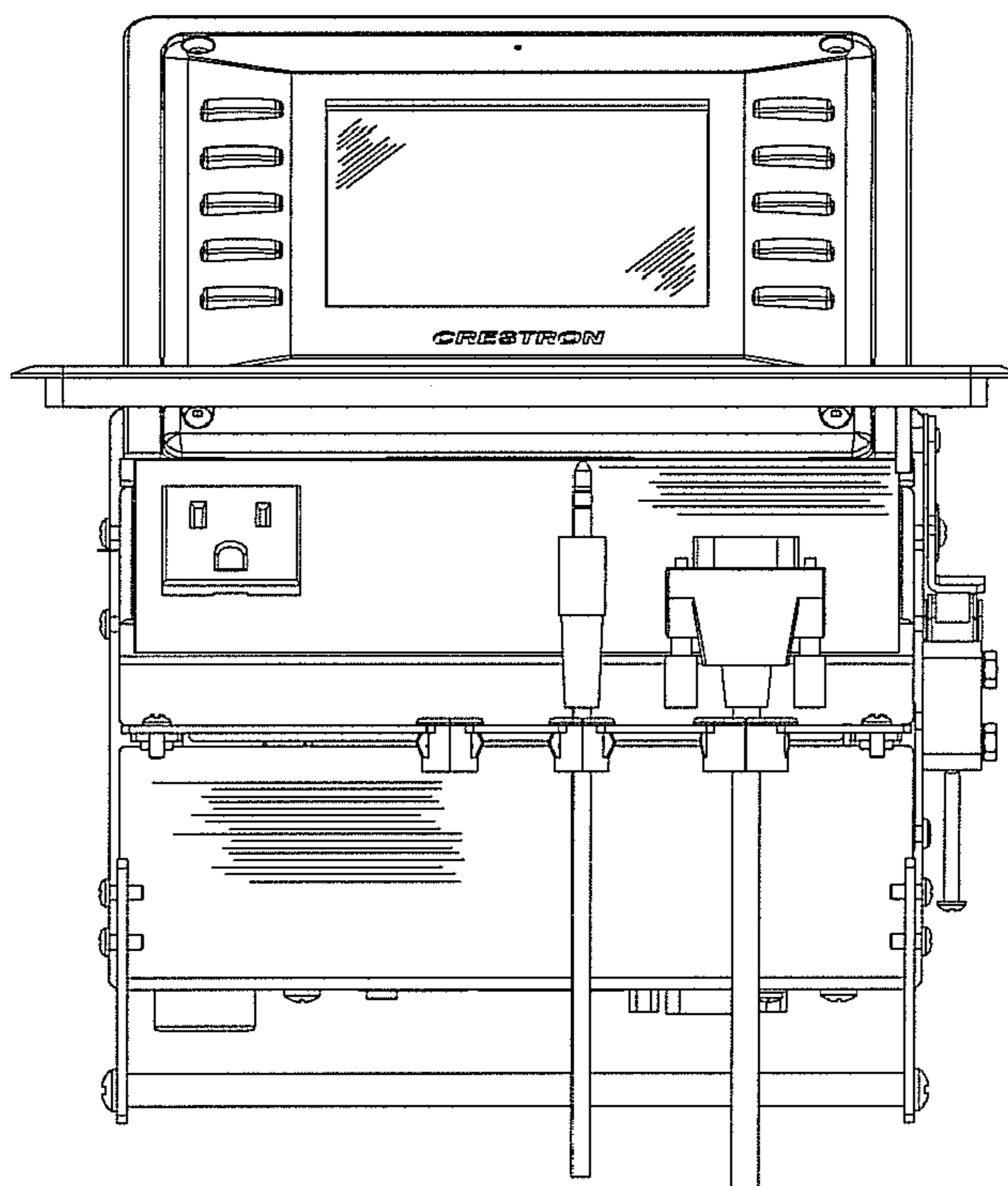
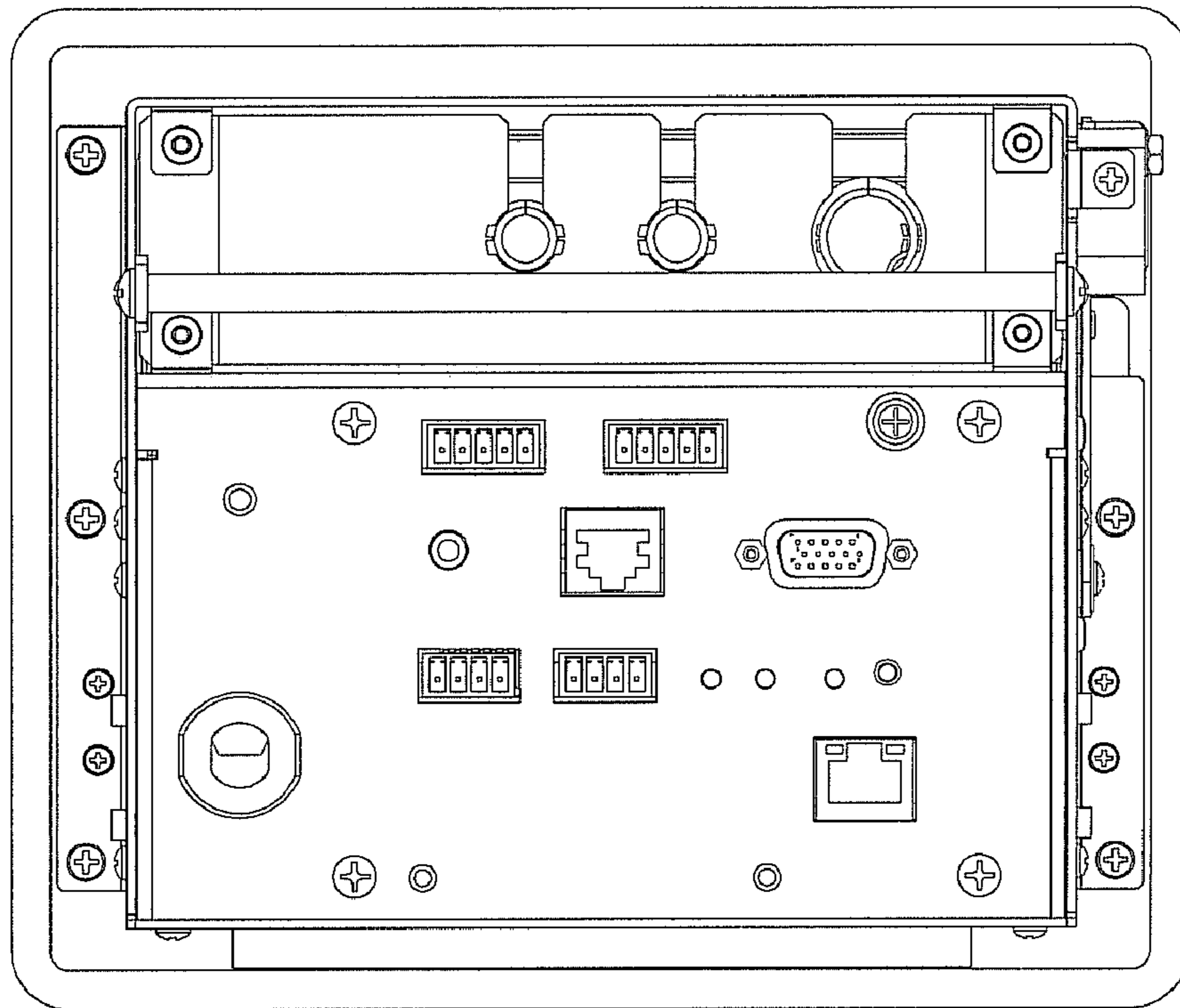
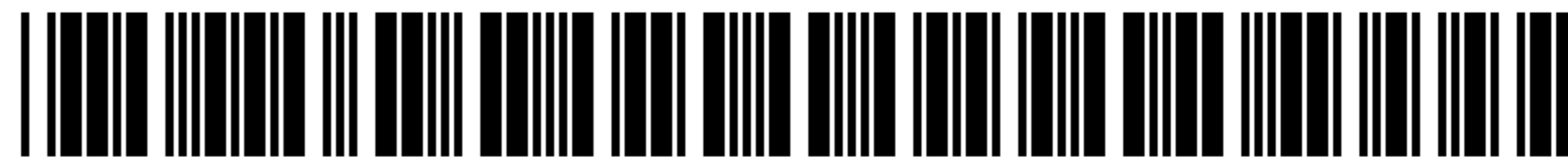


Figure 9





US00D569863C1

(12) **EX PARTE REEXAMINATION CERTIFICATE** (7665th)
United States Patent
Feldstein et al.

(10) **Number:** **US D569,863 C1**
(45) **Certificate Issued:** **Aug. 3, 2010**

(54) **TABLETOP MEDIA CENTER**
(75) Inventors: **George Feldstein**, Rockleigh, NJ (US);
Stan Wisniewski, Pompton Plains, NJ
(US); **Tracy Thompson**, Norwood, NJ
(US)
(73) Assignee: **Crestron Electronics Inc.**, Rockleigh,
NJ (US)

(52) **U.S. Cl.** **D14/305**
(58) **Field of Classification Search** D14/305;
D13/139.4, 139.6
See application file for complete search history.

(56) **References Cited**
U.S. PATENT DOCUMENTS
D513,493 S * 1/2006 Feldstein et al. D13/139.4

Reexamination Request:
No. 90/010,699, Sep. 25, 2009

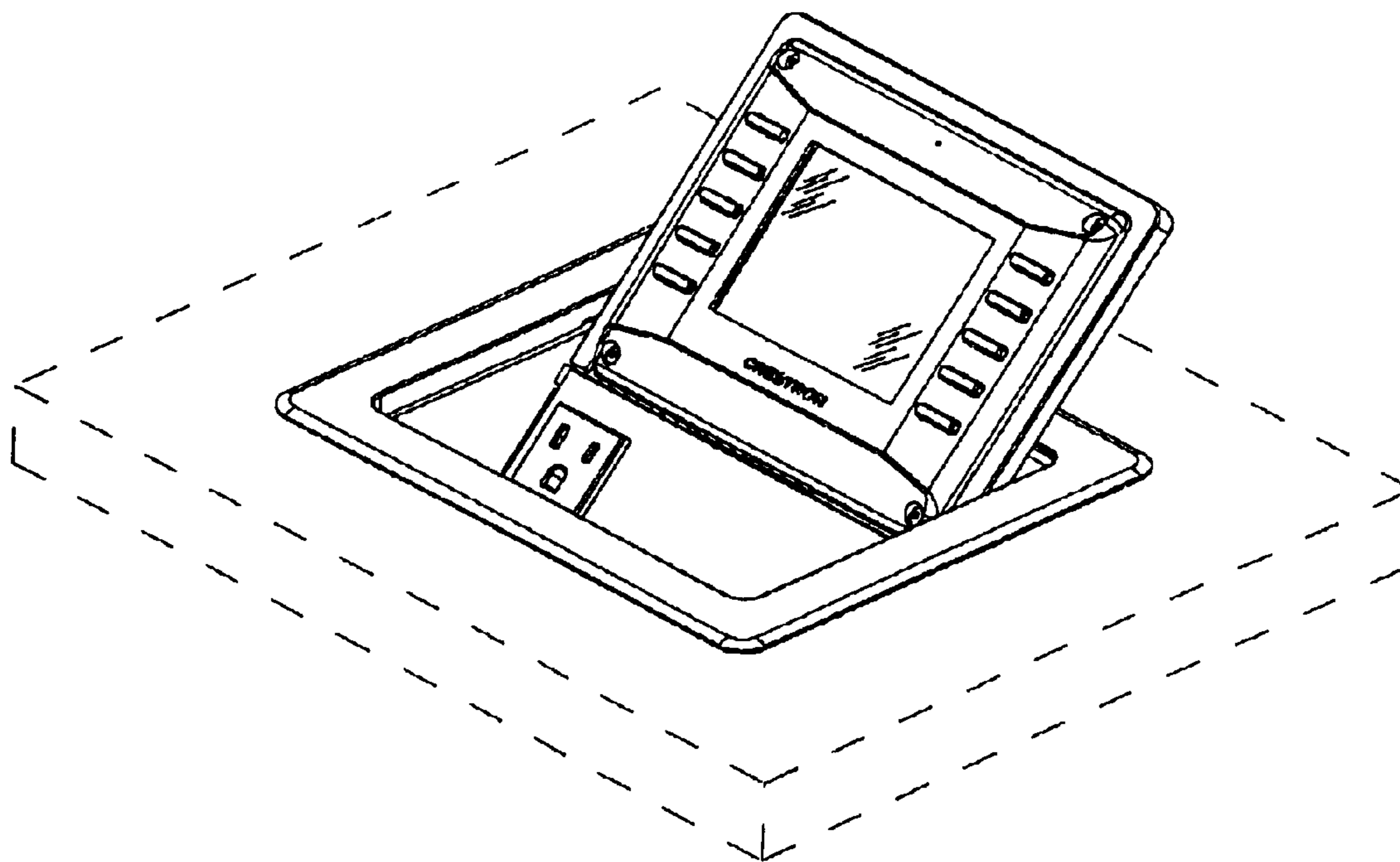
Reexamination Certificate for:
Patent No.: **Des. 569,863**
Issued: **May 27, 2008**
Appl. No.: **29/237,577**
Filed: **Sep. 1, 2005**

OTHER PUBLICATIONS
Crestron Product Catalog, 2003.*
Crestron Product Catalog, 35th Anniversary Edition, Jul.
2004.*
Crestron AM-FTSC FlipTop Storage Center CAD drawing,
Mar. 2004.*

* cited by examiner

(51) **LOC (9) Cl.** **14-02**

Primary Examiner—Melanie H Tung



**EX PARTE
REEXAMINATION CERTIFICATE
ISSUED UNDER 35 U.S.C. 307**

AS A RESULT OF REEXAMINATION, IT HAS BEEN
DETERMINED THAT:

The patentability of the sole claim is confirmed.

1. The ornamental design for a tabletop media center, as
shown and described.

* * * * *