

US00D569862S

(12) **United States Design Patent**
Mitchell et al.

(10) **Patent No.:** **US D569,862 S**

(45) **Date of Patent:** **** May 27, 2008**

(54) **FRONT COVER OF A HANDSET**

(75) Inventors: **Edward Mitchell**, Copenhagen (DK);
Duncan Burns, Tarzana, CA (US)

(73) Assignee: **Nokia Corporation**, Espoo (FI)

(**) Term: **14 Years**

(21) Appl. No.: **29/282,574**

(22) Filed: **Jul. 24, 2007**

Related U.S. Application Data

(62) Division of application No. 29/243,708, filed on Nov. 30, 2005.

(51) **LOC (8) Cl.** **14-03**

(52) **U.S. Cl.** **D14/248**

(58) **Field of Classification Search** D14/137-138,
D14/147-148, 156, 218, 247-248, 341-347,
D14/496; D16/208; D21/329, 331, 333,
D21/517; 348/14.01-14.02; 361/814; 379/
433.01-433.13; 455/90.3, 556.1-556.2,
455/566, 575.1, 575.3, 575.4

See application file for complete search history.

(56) **References Cited**

U.S. PATENT DOCUMENTS

D504,879 S *	5/2005	Moss	D14/138
D514,079 S *	1/2006	Lai	D14/138
D523,836 S *	6/2006	Park	D14/138
D523,837 S *	6/2006	Lee	D14/138
D524,786 S *	7/2006	Paradise et al.	D14/138
D526,314 S	8/2006	Kim		
D541,781 S *	5/2007	Chen	D14/138
D543,186 S *	5/2007	Kim et al.	D14/138
D545,800 S *	7/2007	Ou et al.	D14/138
D546,316 S *	7/2007	Wu et al.	D14/138
D554,101 S *	10/2007	Hu	D14/138
D555,141 S *	11/2007	Ho	D14/138
2004/0180703 A1 *	9/2004	Kim et al.	455/575.1
2006/0111052 A1 *	5/2006	Gartrell	455/90.3

FOREIGN PATENT DOCUMENTS

WO	DM/065 421	7/2004
WO	DM/066301	* 12/2004
WO	DM/066599	* 4/2005
WO	DM/067035	* 8/2005
WO	DM/067 109	11/2005

OTHER PUBLICATIONS

Philips Xenium 9@98, announced 1Q 2005, <URL:www.gsmarena.com>, retrieved from internet Nov. 16, 2007.*

(Continued)

Primary Examiner—Ian Simmons

Assistant Examiner—Carla Wright

(74) *Attorney, Agent, or Firm*—Banner & Witcoff, Ltd.

(57) **CLAIM**

The ornamental design for a front cover of a handset, as shown and described.

DESCRIPTION

FIG. 1 is a front view of a front cover of a handset showing our new design in the environment of a handset;

FIG. 2 is a right side view thereof;

FIG. 3 is a left side view thereof;

FIG. 4 is a front perspective view thereof;

FIG. 5 is a bottom plan view thereof;

FIG. 6 is a top plan view thereof;

FIG. 7 is a front view of a front cover of a handset showing our new design in isolation;

FIG. 8 is a right side view thereof;

FIG. 9 is a left side view thereof;

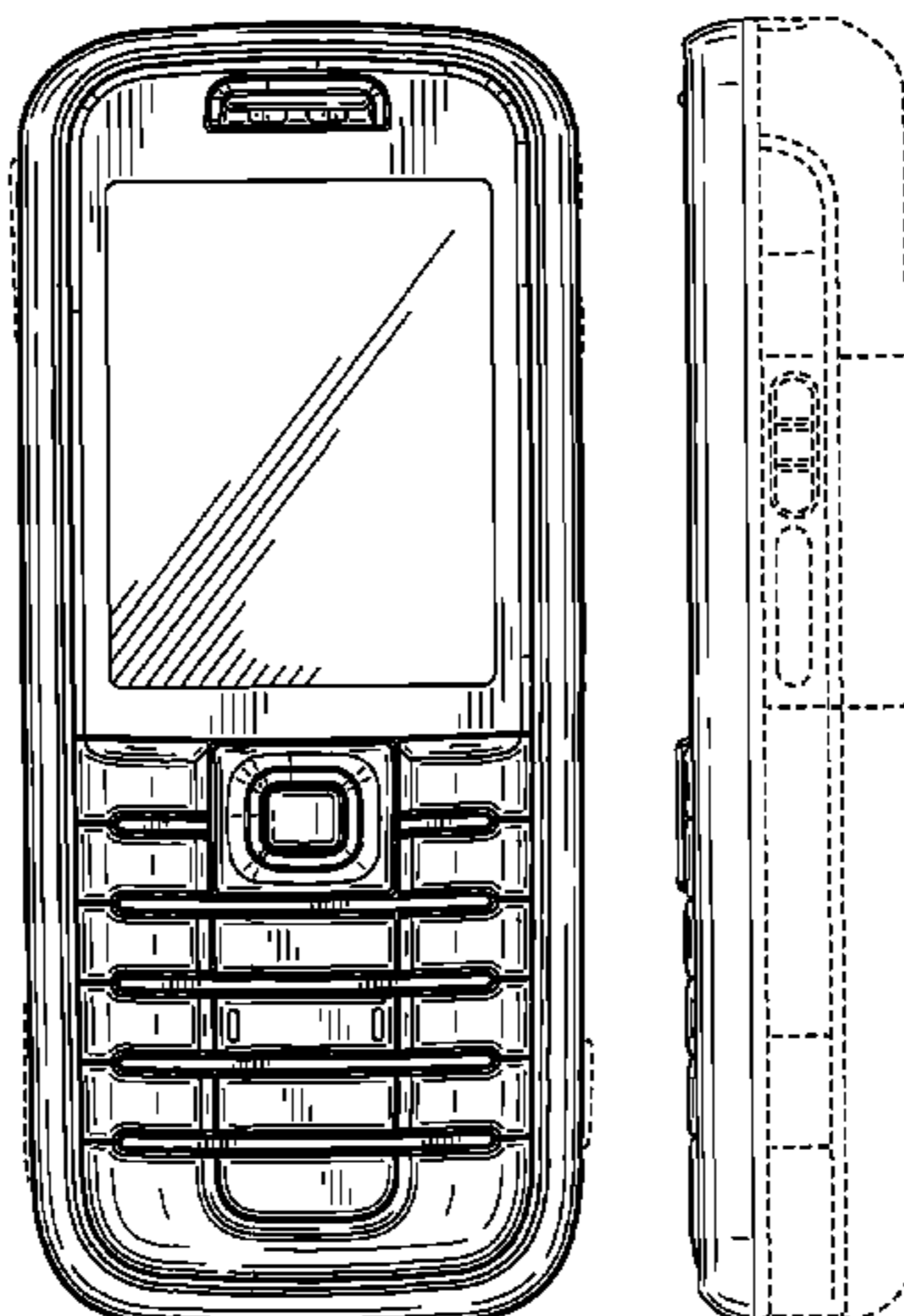
FIG. 10 is a front perspective view thereof;

FIG. 11 is a bottom plan view thereof; and,

FIG. 12 is a top plan view thereof.

The broken line showing of environmental structures is for illustrative purposes only and forms no part of the claimed design.

1 Claim, 6 Drawing Sheets



OTHER PUBLICATIONS

Samsung X700, announced 2Q 2005, <URL:www.gsmarena.com>, retrieved from internet Nov. 16, 2007.*

Nokia 6230, announced 4Q 2003, <URL:www.gsmarena.com>, retrieved from internet Nov. 16, 2007.*

* cited by examiner

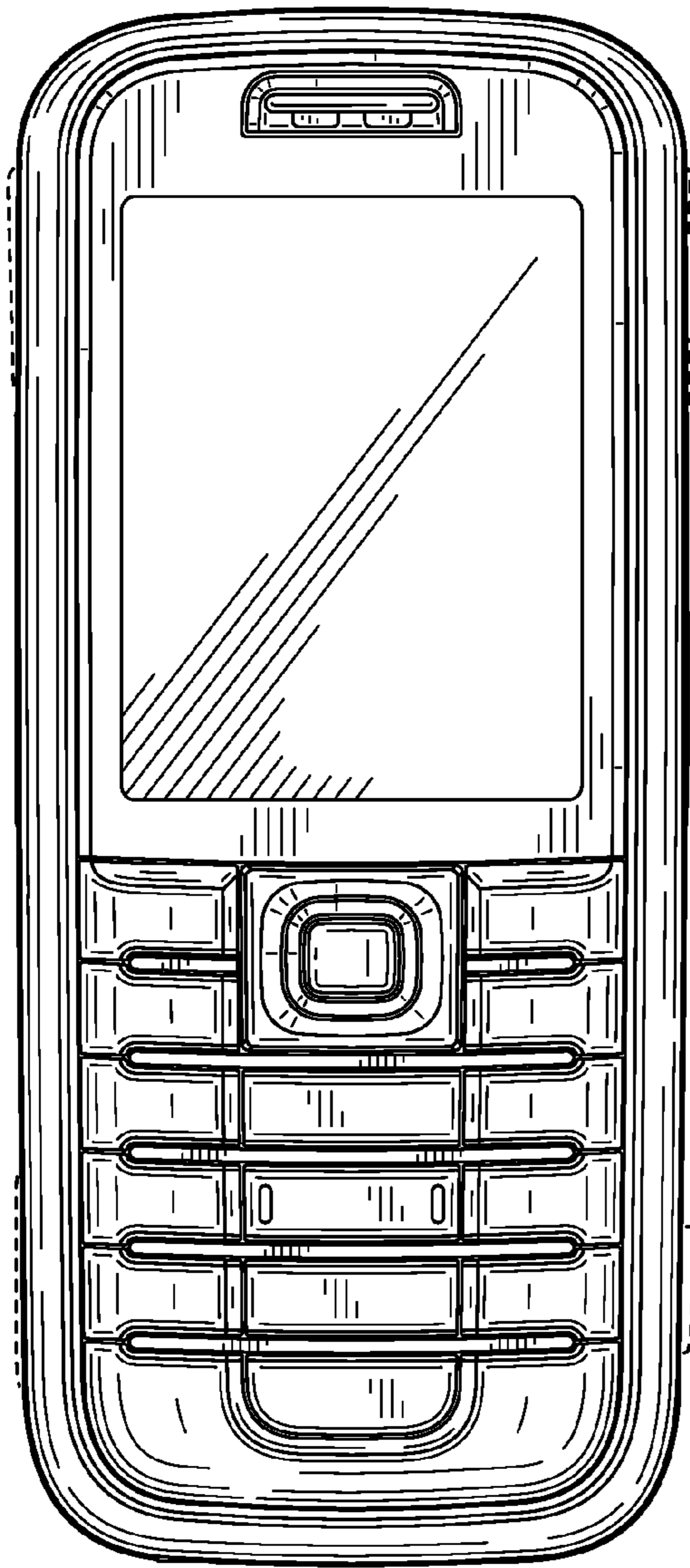


FIG. 1

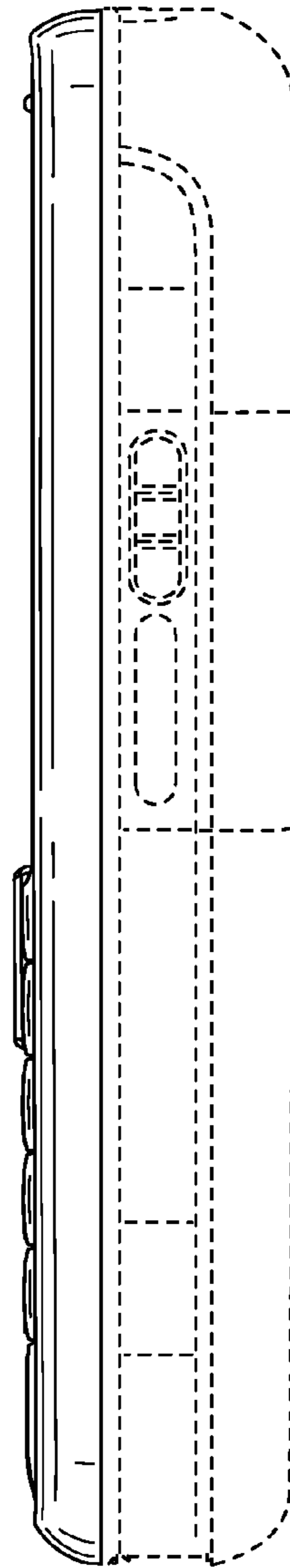


FIG. 2

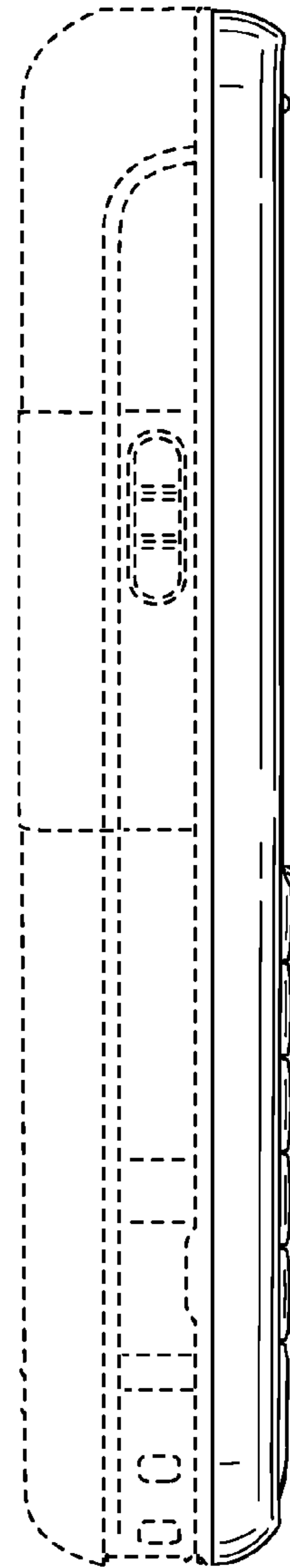


FIG. 3

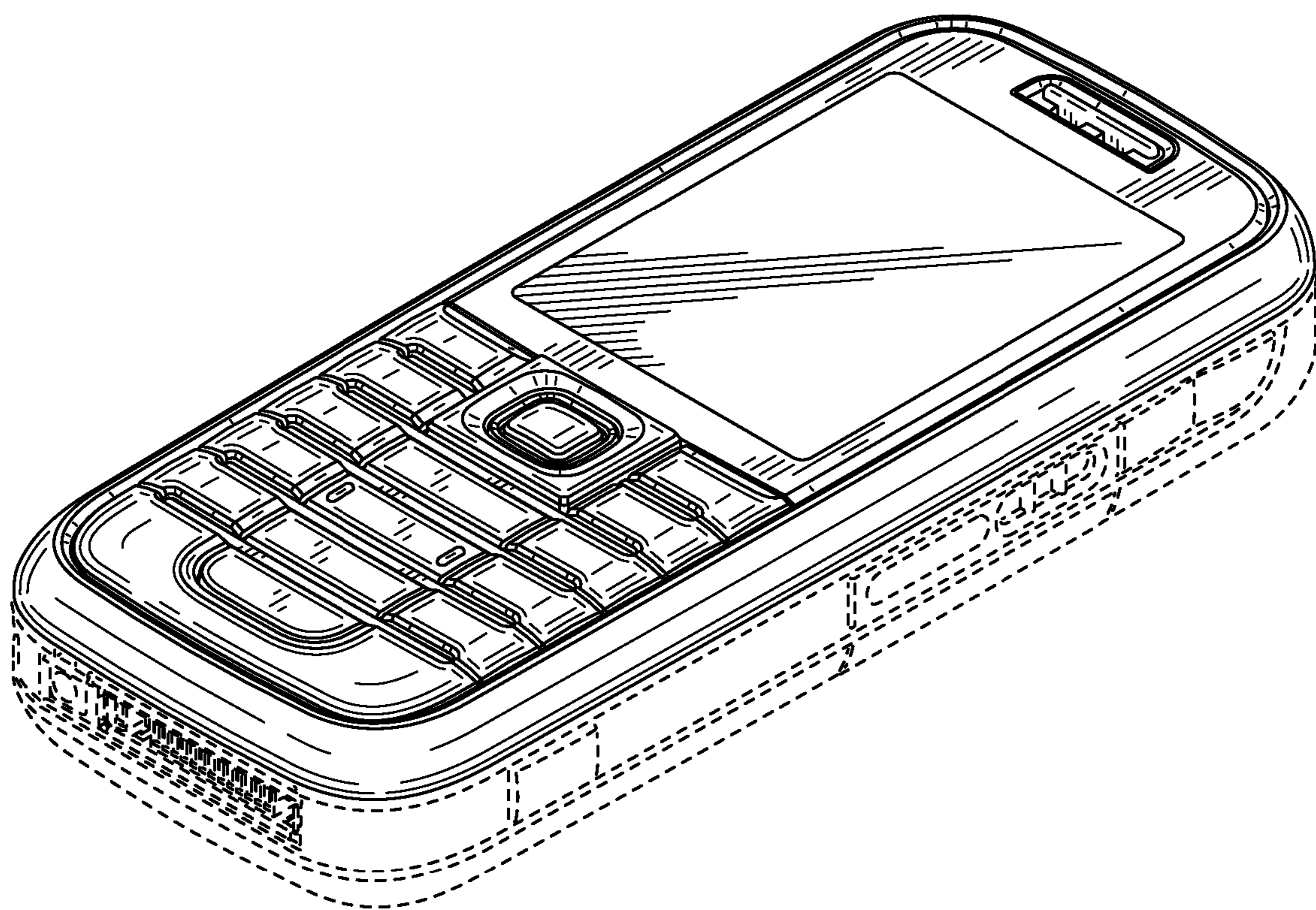


FIG. 4

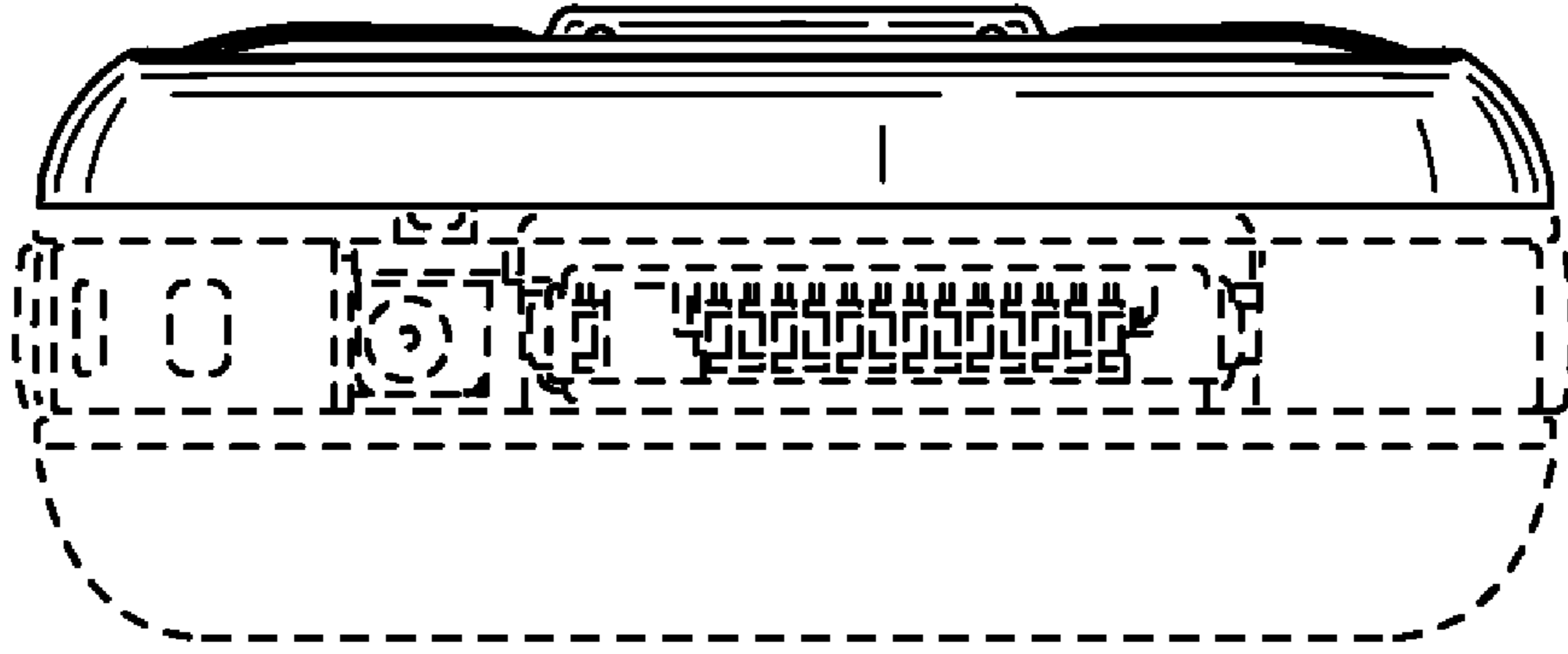


FIG. 5

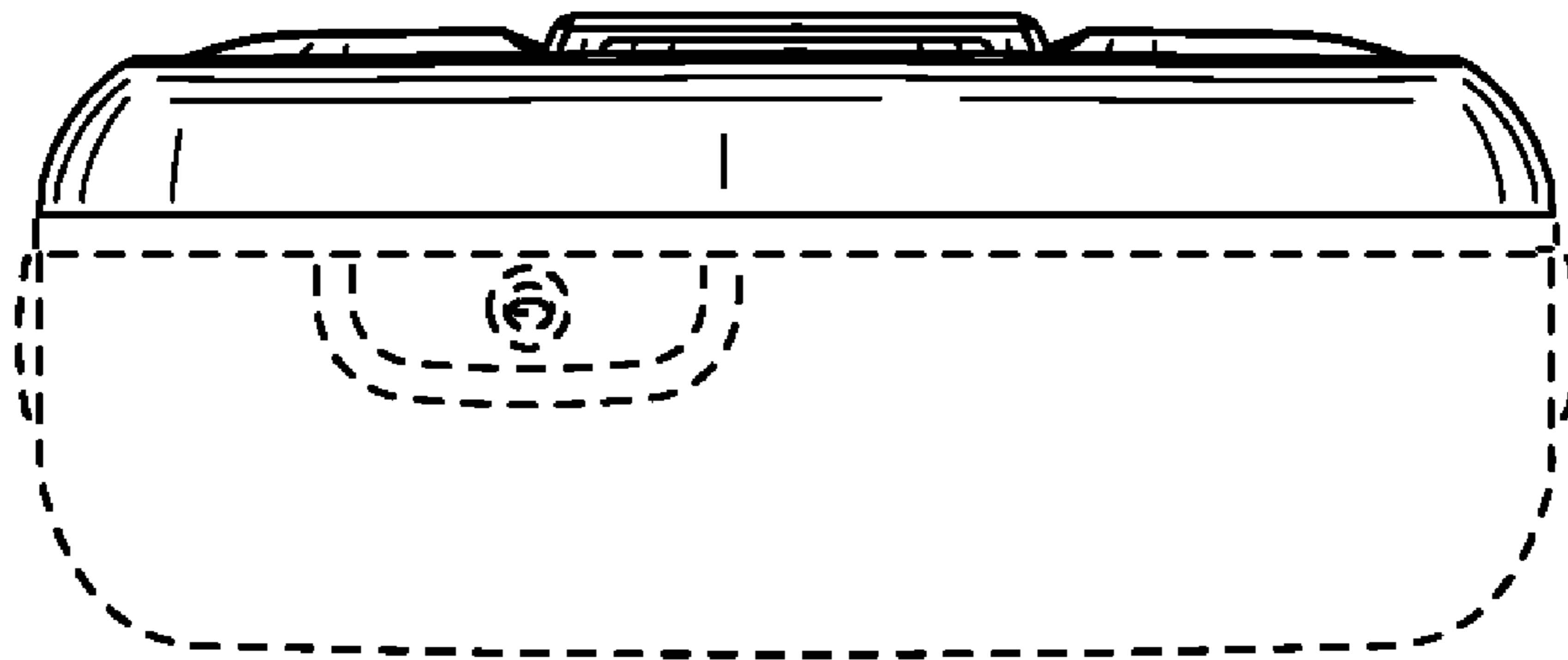


FIG. 6

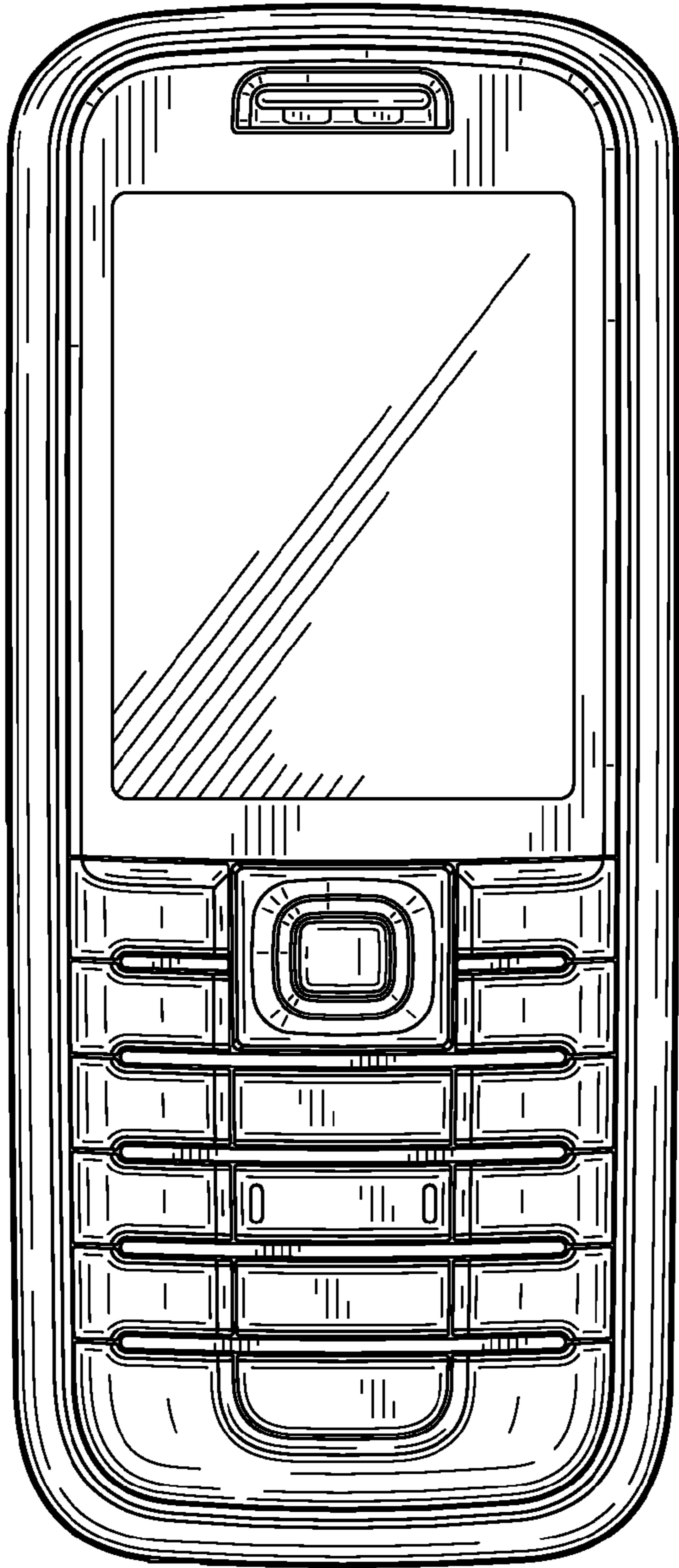


FIG. 7



FIG. 8

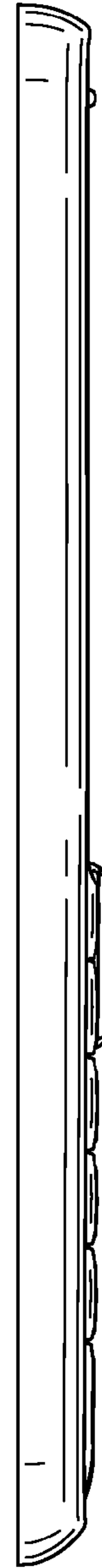


FIG. 9

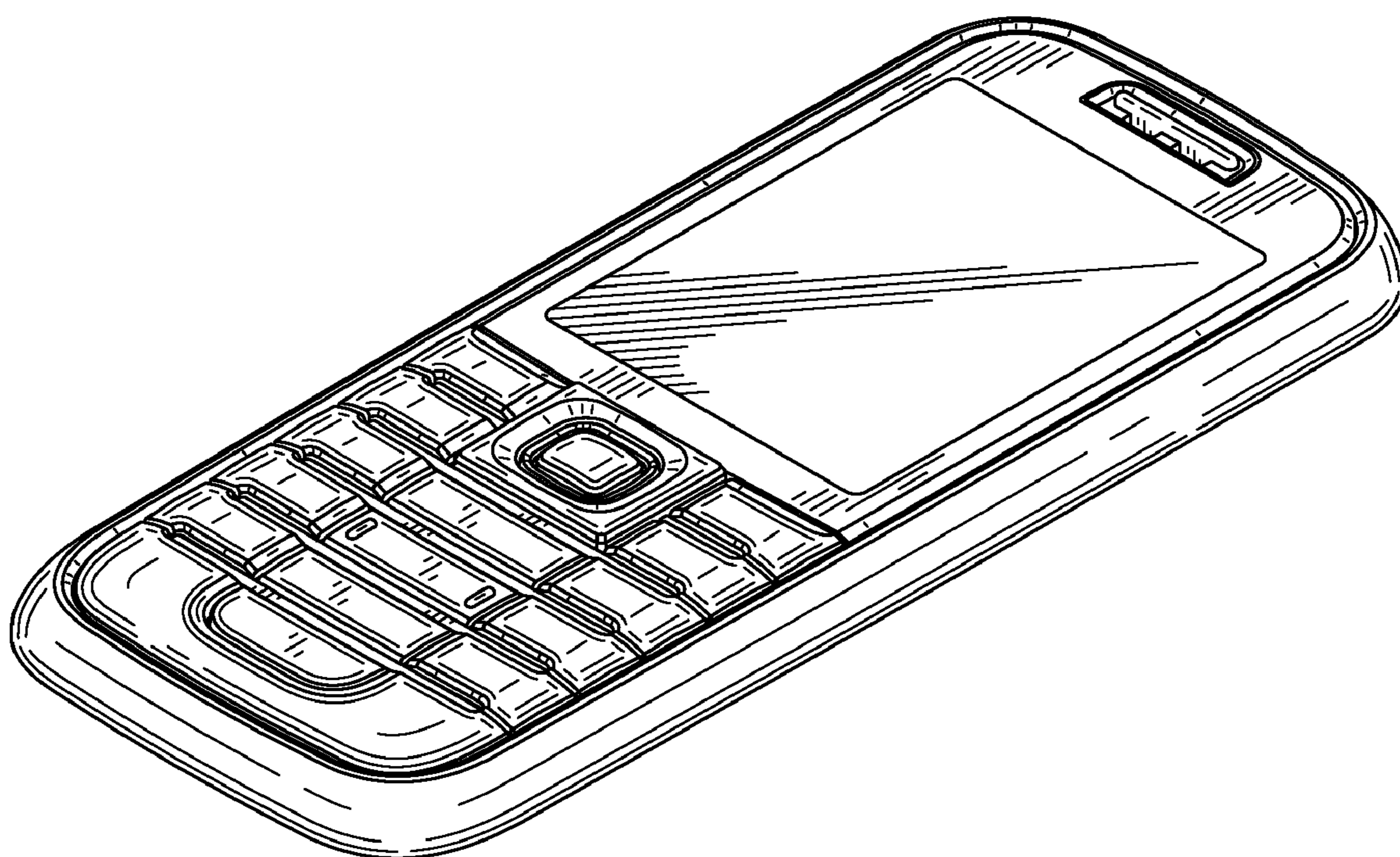


FIG. 10

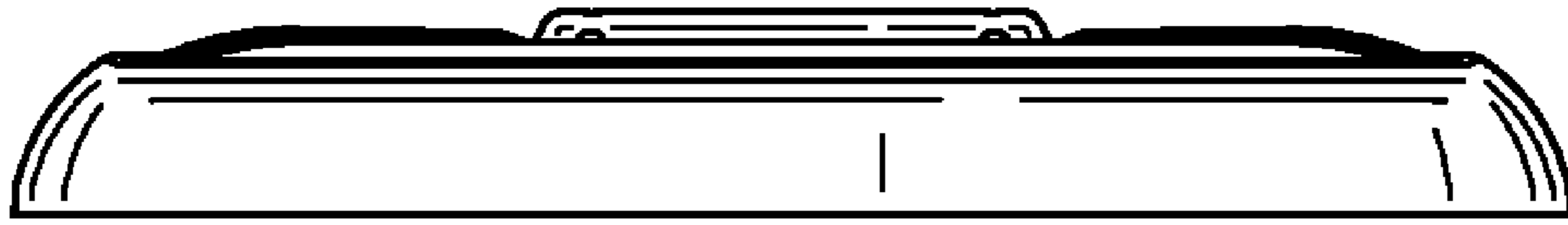


FIG. 11

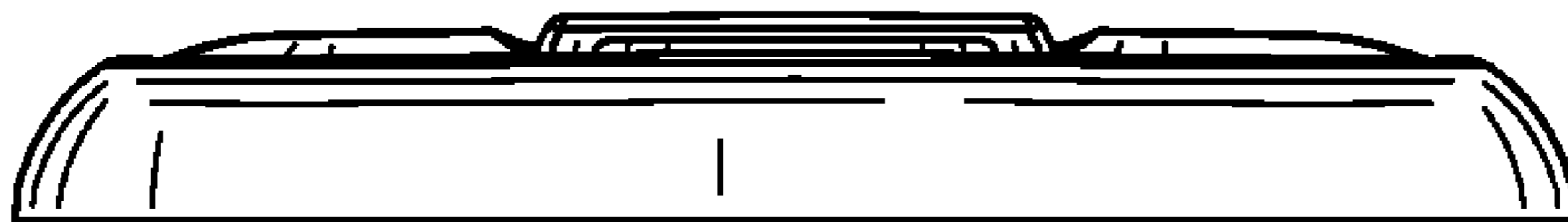


FIG. 12