



US00D569860S

(12) **United States Design Patent** (10) **Patent No.:** **US D569,860 S**  
**Pegon et al.** (45) **Date of Patent:** **\*\* May 27, 2008**

(54) **SET OF KEY BUTTONS FOR A HANDSET**

(75) Inventors: **Valérie Pegon**, London (GB); **Tanja Fisher**, Twickenham (GB); **Tej Chauhan**, Edgward (GB); **Totti Helin**, Helsinki (FI); **Dimitre J. Mehandjiysky**, Woodland Hills, CA (US); **Grace Boicel**, London (GB)

(73) Assignee: **Nokia Corporation**, Espoo (FI)

(\*\*) Term: **14 Years**

(21) Appl. No.: **29/297,548**

(22) Filed: **Nov. 13, 2007**

**Related U.S. Application Data**

(62) Division of application No. 29/240,007, filed on Oct. 7, 2005.

(51) **LOC (8) Cl.** ..... **14-03**

(52) **U.S. Cl.** ..... **D14/247**

(58) **Field of Classification Search** ..... D14/137-138, D14/147-148, 156, 218, 247-248, 341-347, D14/496, 390, 399, 455, 456; D16/208; D21/329, 331, 333, 517; 348/14.01-14.02; 361/814; 379/433.01-433.13; 455/90.3, 455/556.1-556.2, 566, 575.1, 575.3, 575.4; D13/164, 168; 439/165; 343/702

See application file for complete search history.

(56) **References Cited**

**U.S. PATENT DOCUMENTS**

- D498,473 S \* 11/2004 Sheu ..... D14/247
- D507,251 S 7/2005 Burns et al.
- D508,902 S 8/2005 Lee et al.
- D511,771 S \* 11/2005 Burns et al. .... D14/247
- D523,834 S \* 6/2006 Liao ..... D14/138
- D523,837 S 6/2006 Lee
- D525,228 S 7/2006 Kim et al.
- D525,230 S \* 7/2006 Kim et al. .... D14/138
- D531,976 S 11/2006 Kim et al.
- D532,002 S \* 11/2006 Johansson ..... D14/247

- D532,767 S 11/2006 Yoshino et al.
- D540,773 S 4/2007 Meng et al.
- D544,474 S \* 6/2007 Kim et al. .... D14/247
- D544,851 S 6/2007 Burns
- D545,800 S 7/2007 Ou et al.
- D546,314 S 7/2007 Im
- D548,717 S 8/2007 Davis
- D549,208 S 8/2007 Huang et al.
- D550,220 S \* 9/2007 Lyles ..... D14/247
- D554,091 S \* 10/2007 Chauhan et al. .... D14/138

(Continued)

**FOREIGN PATENT DOCUMENTS**

- WO DM/067709 4/2006
- WO DM/068186 8/2006

**OTHER PUBLICATIONS**

NEC e121, announced 4Q 2005, <URL:http://www.gsmarena.com/nec\_e121-pictures-1399.php>, retrieved from internet Feb. 25, 2008.\*

Nokia N70, announced 2Q 2005, <URL:http://www.gsmarena.com/nokia\_n70-1153.php>, retrieved from internet Sep. 8, 2007.

Nokia 7360, announced Oct. 2005, <URL:http://www.gsmarena.com/nokia\_7360-1330.php>, retrieved from internet Sep. 8, 2007.

*Primary Examiner*—Ian Simmons

*Assistant Examiner*—Carla Wright

(74) *Attorney, Agent, or Firm*—Banner & Witcoff, Ltd.

(57) **CLAIM**

The ornamental design for a set of key buttons for a handset, as shown and described.

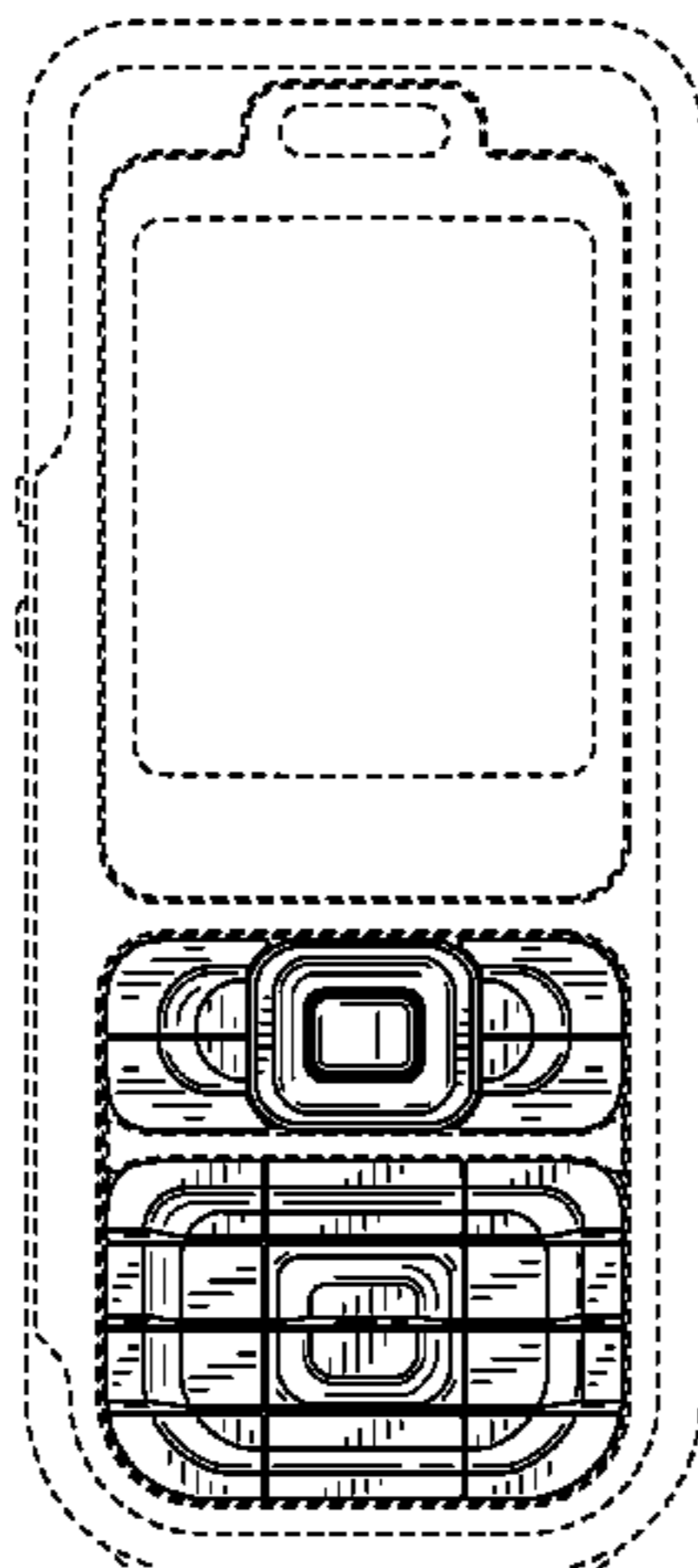
**DESCRIPTION**

FIG. 1 is a front view of a set of key buttons for a handset showing our new design; and,

FIG. 2 is a perspective front view thereof.

The broken line showing the remainder of the handset is for illustrative purposes only and forms no part of the claimed design.

**1 Claim, 1 Drawing Sheet**



# US D569,860 S

Page 2

---

## U.S. PATENT DOCUMENTS

D556,167 S	*	11/2007	Yang et al. ....	D14/138				
D560,215 S	*	1/2008	Di et al. ....	D14/247				
D560,631 S	*	1/2008	Sheu et al. ....	D14/138				
					D560,659 S	*	1/2008	Ruohonen et al. .... D14/247
					2005/0113135	A1	5/2005	Goebel et al.
					2005/0140778	A1*	6/2005	Kim et al. .... 348/14.02

\* cited by examiner

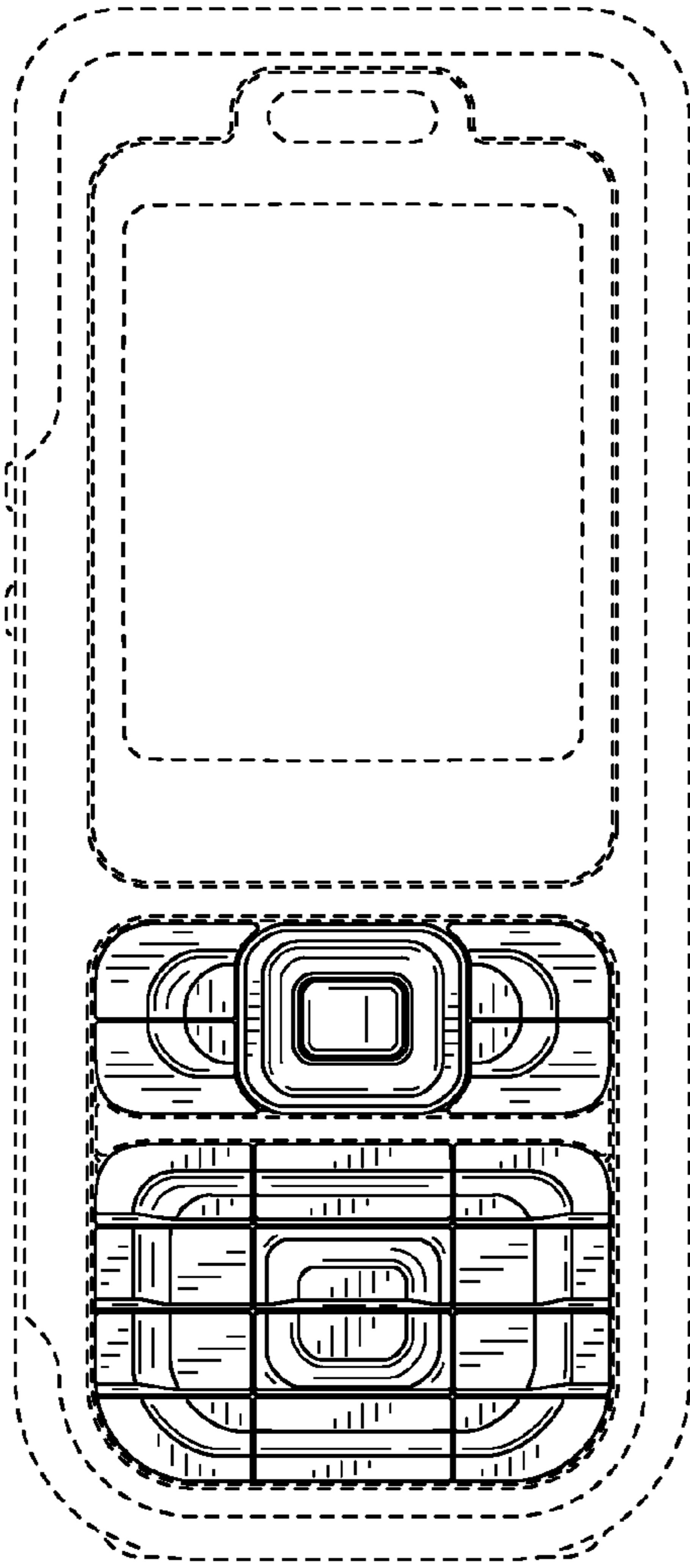


FIG. 1

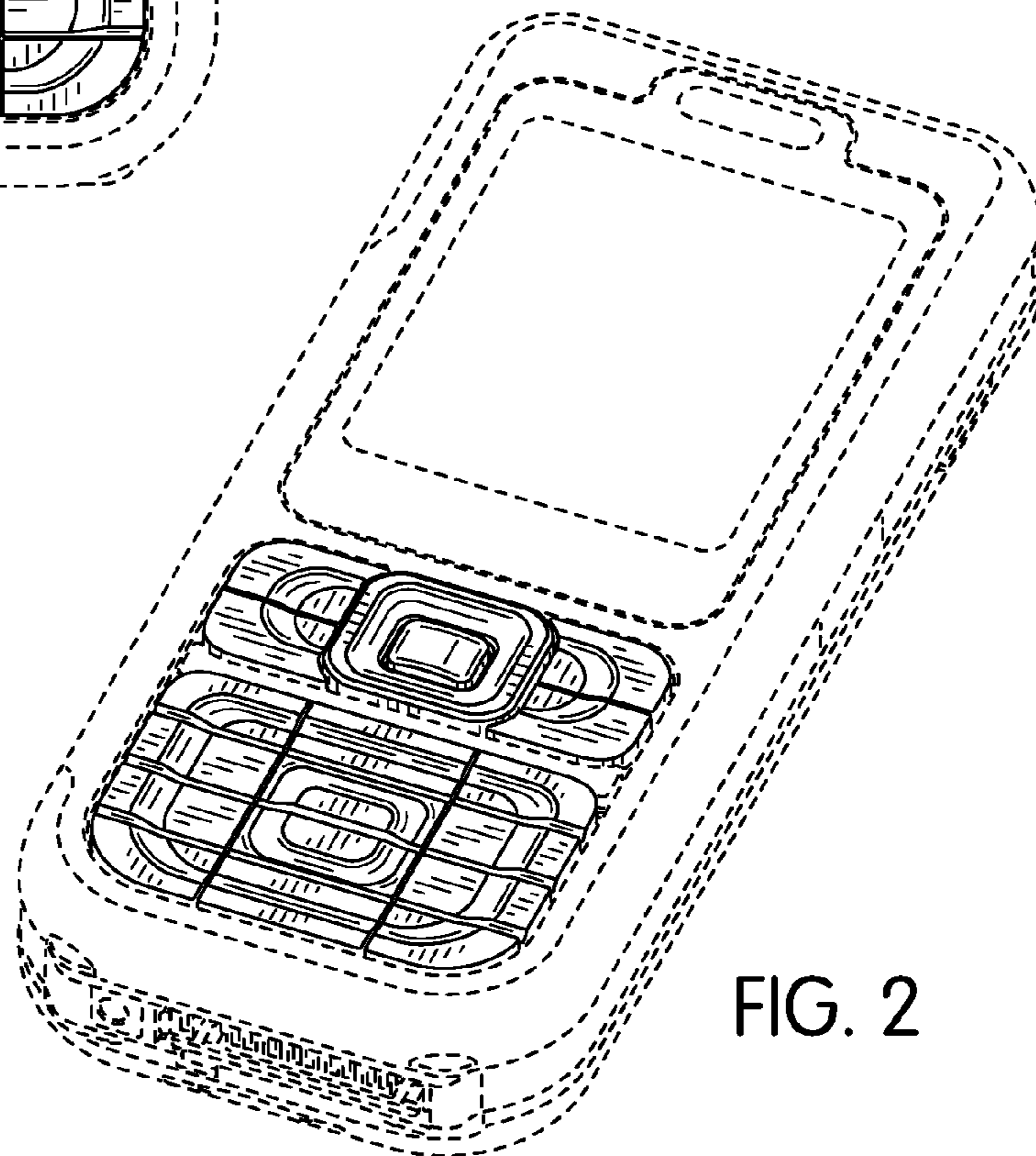


FIG. 2