



US00D569852S

(12) **United States Design Patent** (10) **Patent No.:** **US D569,852 S**  
**Yonehara et al.** (45) **Date of Patent:** **\*\* \*May 27, 2008**

(54) **MICROPHONE**

(75) Inventors: **Kentaro Yonehara**, Shizuoka (JP);  
**Yoshio Imahori**, Shizuoka (JP);  
**Hiroshi Fujinami**, Shizuoka (JP)

(73) Assignee: **Star Micronics Co., Ltd.**, Shizuoka (JP)

(\*) Notice: This patent is subject to a terminal disclaimer.

(\*\*) Term: **14 Years**

(21) Appl. No.: **29/263,911**

(22) Filed: **Aug. 1, 2006**

(30) **Foreign Application Priority Data**

Jun. 29, 2006 (JP) ..... 2006-016990

(51) **LOC (8) Cl.** ..... **14-01**

(52) **U.S. Cl.** ..... **D14/225**

(58) **Field of Classification Search** ..... D14/140.8,  
D14/210-211, 215, 218, 225-229, 240; D9/432;  
D10/46, 104; D13/168, 171, 184, 433; 181/144-146,  
181/148, 160, 151, 156, 158, 170, 182, 184;  
381/74-75, 82, 151, 309, 338, 190-191,  
381/116, 331, 356; 29/594  
See application file for complete search history.

(56) **References Cited**

**U.S. PATENT DOCUMENTS**

1,767,657	A *	6/1930	Edelman	381/191
2,796,467	A *	6/1957	Kock	381/356
2,829,202	A *	4/1958	Spera	381/331
3,136,867	A *	6/1964	Brettell	381/116
3,159,719	A *	12/1964	Weiss	381/151
D219,383	S *	12/1970	Fox	D14/140.8
4,167,985	A *	9/1979	Dunlavy	181/148
4,398,619	A *	8/1983	Daniel	181/156
4,429,190	A *	1/1984	Stockbridge	381/191
4,872,527	A *	10/1989	Han	181/160
D310,349	S *	9/1990	Rowen	D13/168

D324,388	S *	3/1992	Pulio et al.	D14/215
D330,522	S *	10/1992	Mokhtarian	D10/104
5,388,163	A *	2/1995	Elko et al.	381/191
5,740,254	A *	4/1998	Thompson et al.	381/309
5,812,683	A *	9/1998	Parker et al.	381/74

(Continued)

**FOREIGN PATENT DOCUMENTS**

JP	2005-311917	11/2005
JP	2006-033215	2/2006

**OTHER PUBLICATIONS**

Notification of Reason for Refusal issued in corresponding JP 2006-016990, mailed Mar. 9, 2007, 2 pages in English, 1 in Japanese.

*Primary Examiner*—Paula A Greene

(74) *Attorney, Agent, or Firm*—Sughrue Mion, PLLC

(57) **CLAIM**

The ornamental design for a microphone, as shown and described.

**DESCRIPTION**

FIG. 1 is a perspective view of top, front and left side of a microphone showing our new design;

FIG. 2 is a perspective view the bottom, front and right side thereof;

FIG. 3 is a top plan view thereof;

FIG. 4 is a bottom plan view thereof;

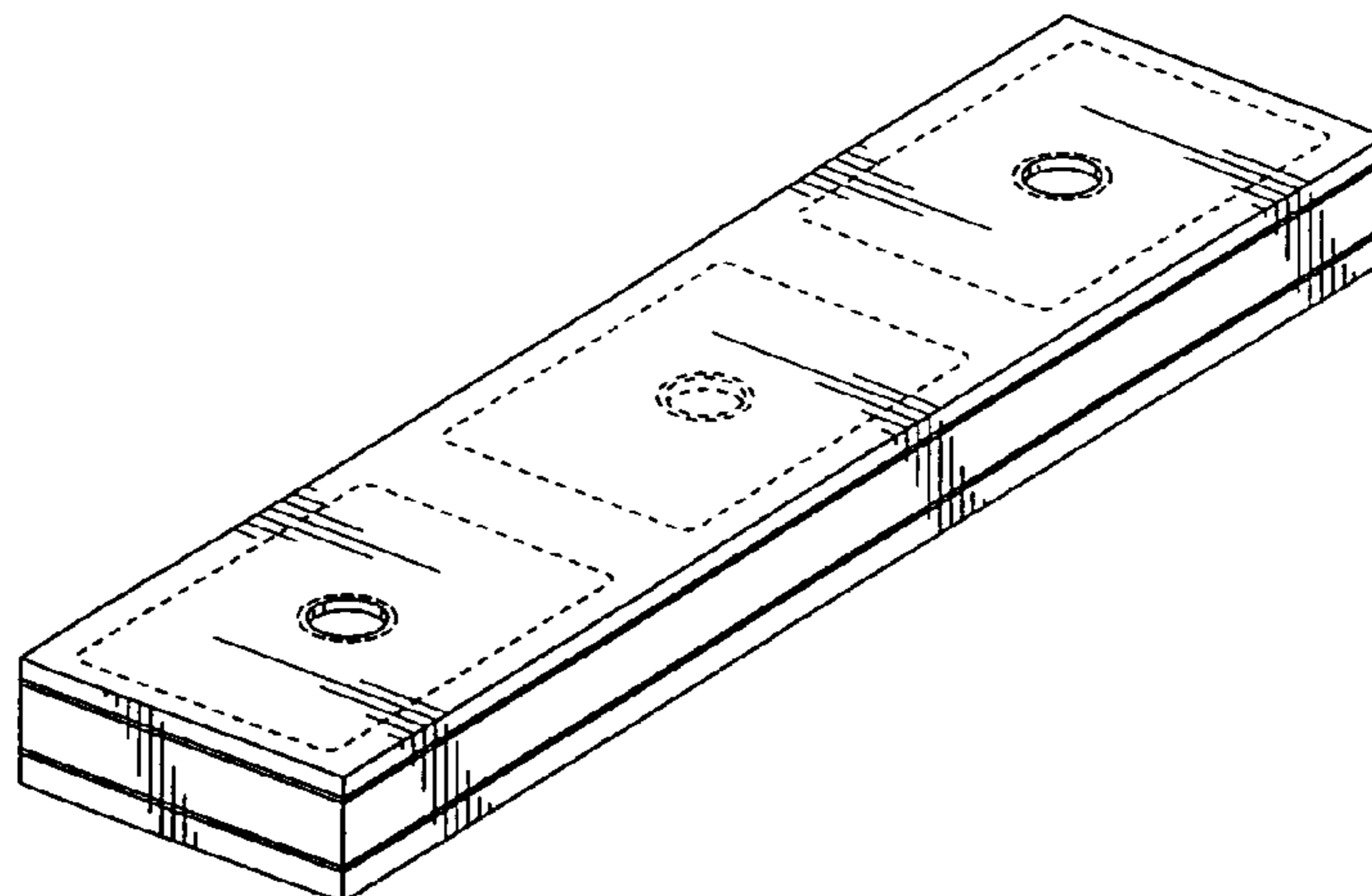
FIG. 5 is a front elevational view thereof, with the rear elevational view being a mirror image;

FIG. 6 is a right side elevational view thereof, with the left side elevational view being a mirror image; and,

FIG. 7 is a sectional view thereof along sectional line 7—7 in FIG. 3.

The portions shown in broken lines are for illustrative purposes only and form no part of the claimed design.

**1 Claim, 2 Drawing Sheets**



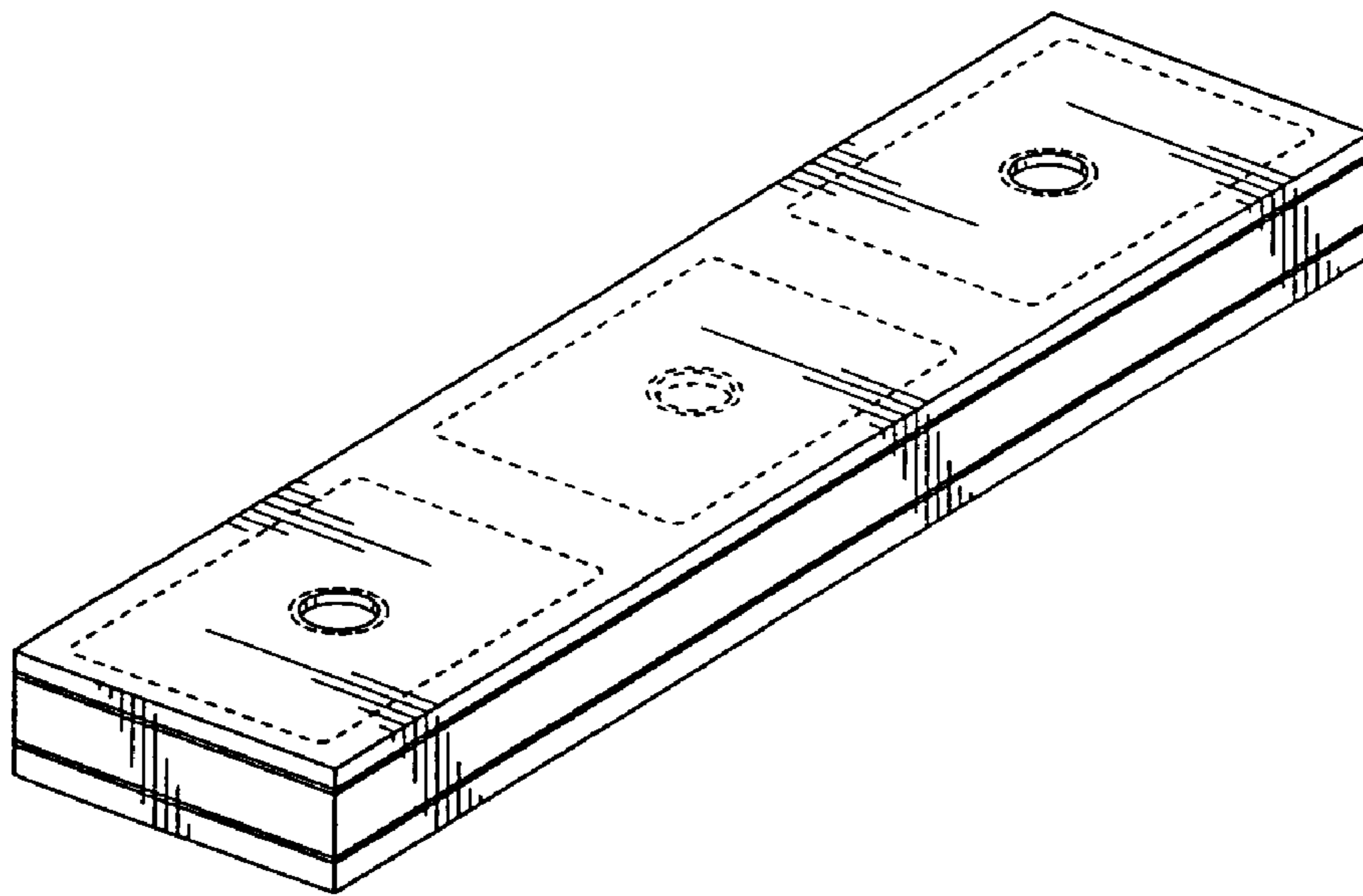
# US D569,852 S

Page 2

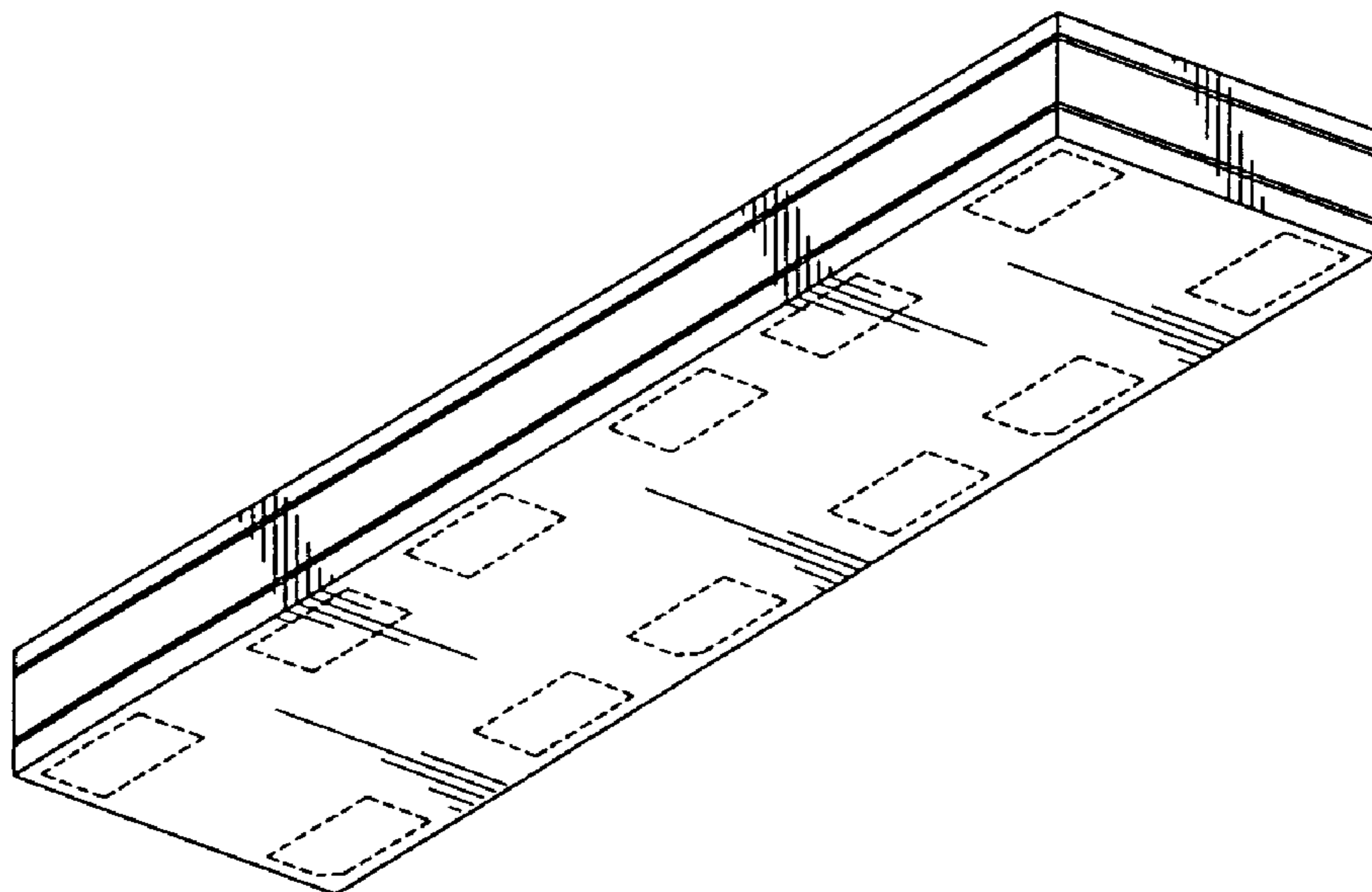
---

U.S. PATENT DOCUMENTS			
6,308,398	B1 *	10/2001	Beavers ..... 29/594
6,587,567	B1 *	7/2003	Yamamoto ..... 381/190
6,643,379	B1 *	11/2003	Onglao ..... 381/351
D517,534	S *	3/2006	Ogura et al. .... D14/225
7,107,665	B2 *	9/2006	Horiuchi et al. .... 29/594
7,111,706	B2 *	9/2006	Bourgoin ..... 181/156
7,260,235	B1 *	8/2007	Henricksen et al. .... 381/335

\* cited by examiner



*FIG. 1*



*FIG. 2*

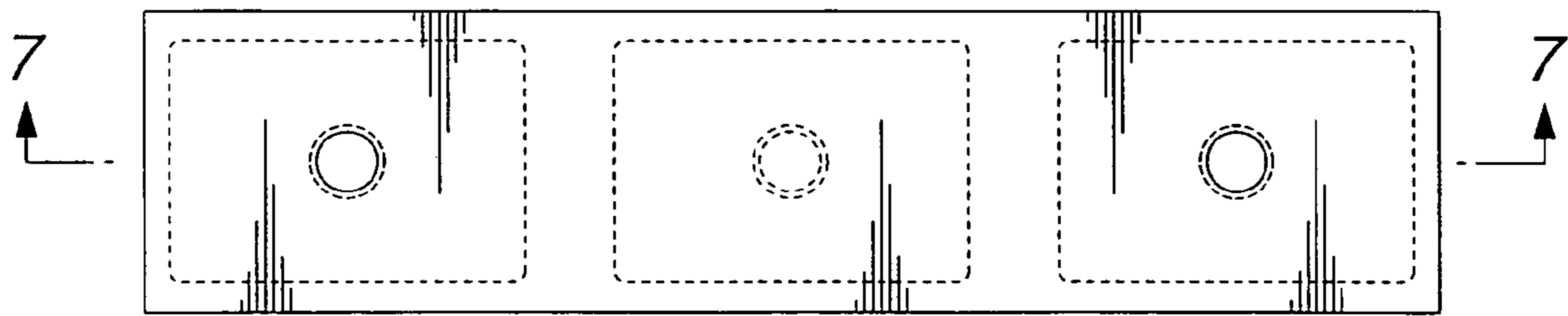


FIG. 3

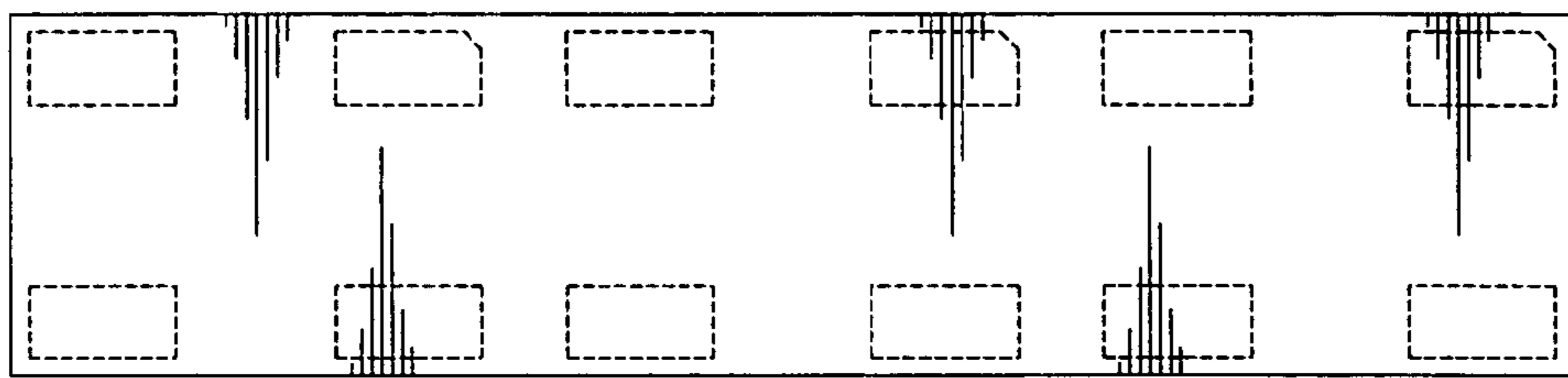


FIG. 4

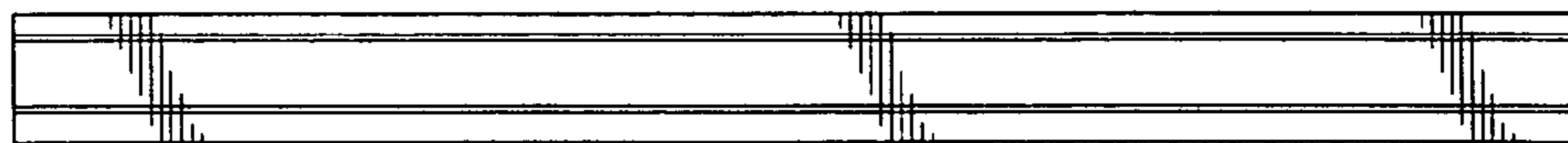


FIG. 5

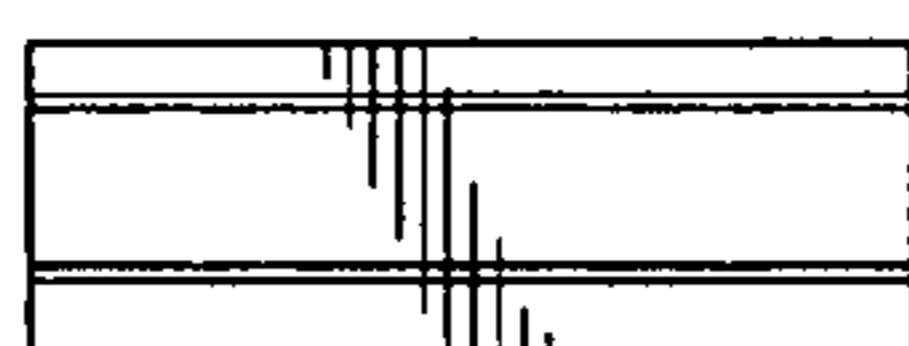


FIG. 6



FIG. 7