



US00D569851S

(12) **United States Design Patent**  
**Yonehara et al.**

(10) **Patent No.:** **US D569,851 S**

(45) **Date of Patent:** **\*\* May 27, 2008**

(54) **MICROPHONE**

5,740,254 A \* 4/1998 Thompson et al. .... 381/309  
5,812,683 A \* 9/1998 Parker et al. .... 381/74

(75) Inventors: **Kentaro Yonehara**, Shizuoka (JP);  
**Yoshio Imahori**, Shizuoka (JP);  
**Hiroshi Fujinami**, Shizuoka (JP)

(Continued)

(73) Assignee: **Star Micronics Co., Ltd.**, Shizuoka  
(JP)

**FOREIGN PATENT DOCUMENTS**

JP 2005-311917 11/2005  
JP 2006-033215 2/2006

(\*\*) Term: **14 Years**

(21) Appl. No.: **29/263,909**

**OTHER PUBLICATIONS**

(22) Filed: **Aug. 1, 2006**

U.S. Appl. No. 29/263,911, filed Aug. 1, 2006, Kentaro Yonehara et al.

(30) **Foreign Application Priority Data**

(Continued)

Jun. 29, 2006 (JP) ..... 2006-016991

*Primary Examiner*—Paula A. Greene

(51) **LOC (8) Cl.** ..... **14-01**

(74) *Attorney, Agent, or Firm*—Sughrue Mion, PLLC

(52) **U.S. Cl.** ..... **D14/225**

(57) **CLAIM**

(58) **Field of Classification Search** ..... D14/140.8,  
D14/210–211, 215, 218, 225–229, 240; D9/432;  
D10/46, 104; D13/168, 171, 184, 433; 181/144–146,  
181/148, 160, 151, 156, 158, 170, 182, 184;  
381/74–75, 82, 151, 309, 338, 345, 351,  
381/190–191, 116, 331, 356; 29/594

The ornamental design for a microphone, as shown and described.

See application file for complete search history.

**DESCRIPTION**

(56) **References Cited**

FIG. 1 is a perspective view of top, front and right side of a microphone showing our new design;

**U.S. PATENT DOCUMENTS**

FIG. 2 is a perspective view of the bottom, front and left side thereof;

1,767,657 A \* 6/1930 Edelman ..... 381/191  
2,796,467 A \* 6/1957 Kock ..... 381/356  
2,829,202 A \* 4/1958 Spera ..... 381/331  
3,136,867 A \* 6/1964 Brettell ..... 381/116  
3,159,719 A \* 12/1964 Weiss ..... 381/151  
D219,383 S \* 12/1970 Fox ..... D14/140.8  
4,167,985 A \* 9/1979 Dunlavy ..... 181/148  
4,398,619 A \* 8/1983 Daniel ..... 181/156  
4,429,190 A \* 1/1984 Stockbridge ..... 381/191  
4,872,527 A \* 10/1989 Han ..... 181/160  
D310,349 S \* 9/1990 Rowen ..... D13/168  
D324,388 S \* 3/1992 Pulio et al. .... D14/215  
D330,522 S \* 10/1992 Mokhtarian ..... D10/104  
5,388,163 A \* 2/1995 Elko et al. .... 381/191

FIG. 3 is a top plan view thereof;

FIG. 4 is a bottom plan view thereof;

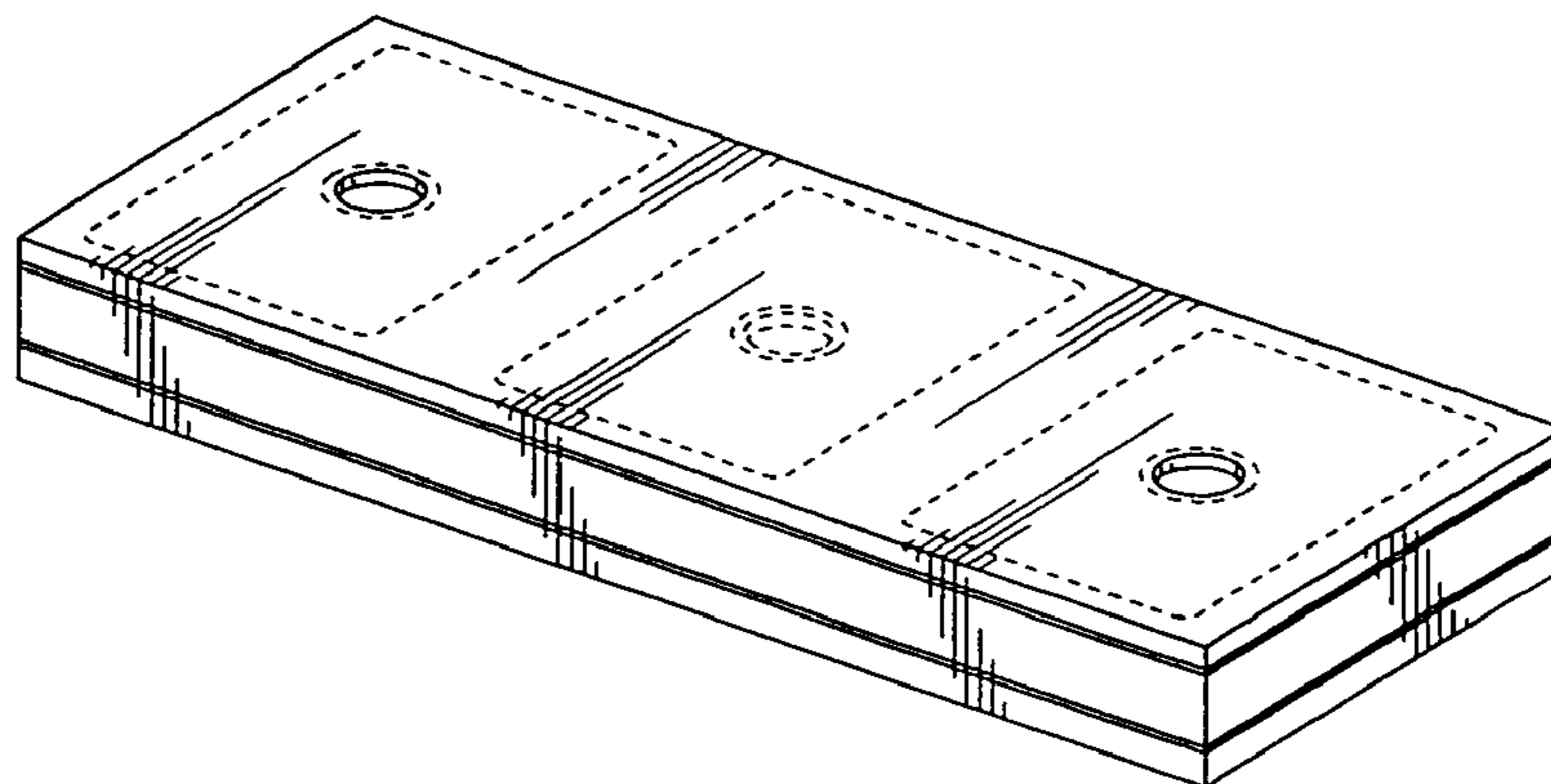
FIG. 5 is a front elevational view thereof, with the rear elevational view being a mirror image;

FIG. 6 is a right side elevational view thereof, with the left side elevational view being a mirror image; and,

FIG. 7 is a sectional view thereof along sectional line 7—7 in FIG. 3.

The portions shown in broken lines are for illustrative purposes only and form no part of the claimed design.

**1 Claim, 2 Drawing Sheets**



# US D569,851 S

Page 2

---

## U.S. PATENT DOCUMENTS

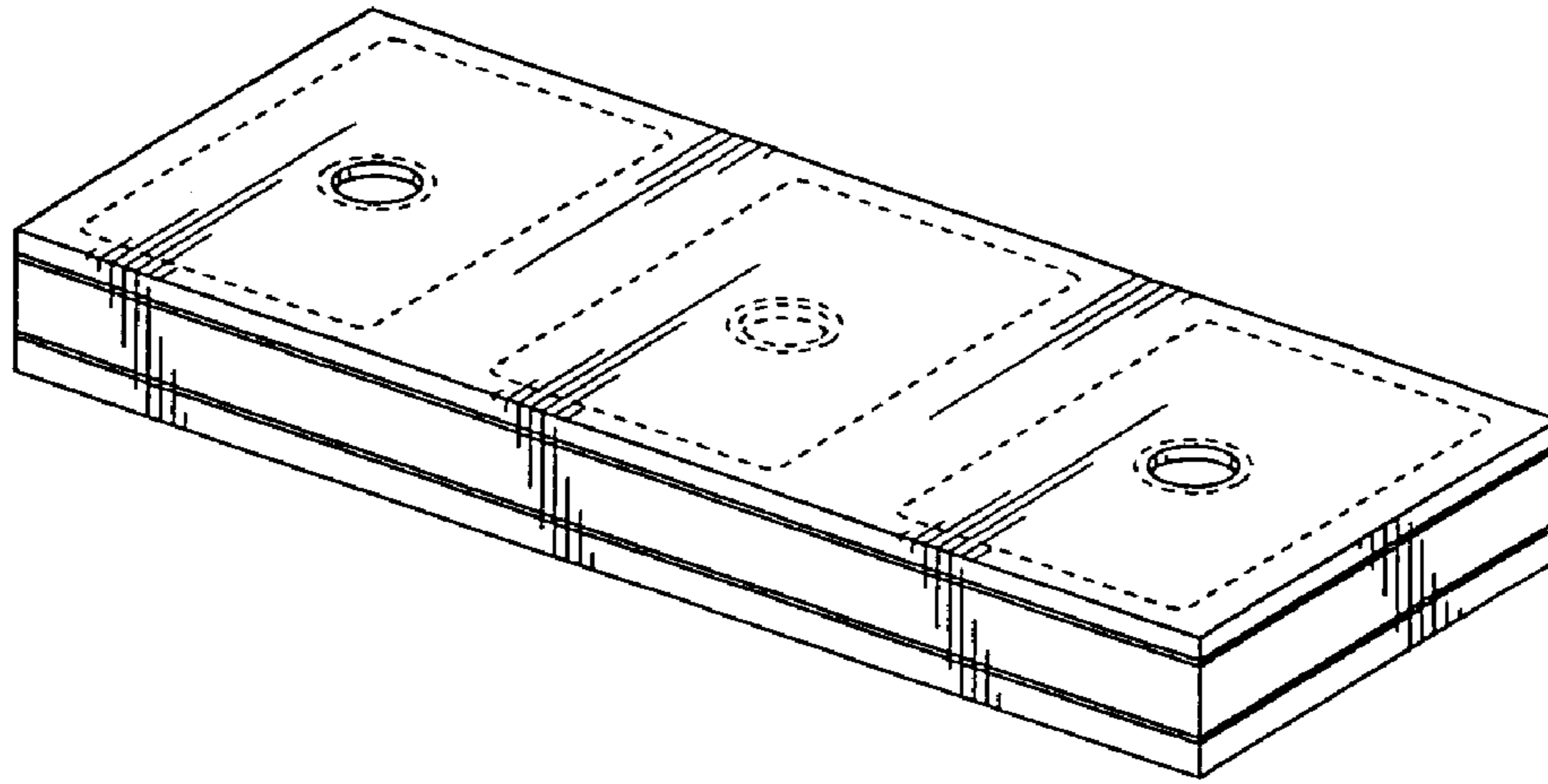
6,308,398 B1 \* 10/2001 Beavers ..... 29/594  
6,587,567 B1 \* 7/2003 Yamamoto ..... 381/190  
6,643,379 B1 \* 11/2003 Onglao ..... 381/351  
D517,534 S \* 3/2006 Ogura et al. .... D14/225  
7,107,665 B2 \* 9/2006 Horiuchi et al. .... 29/594  
7,111,706 B2 \* 9/2006 Bourgoin ..... 181/156

## OTHER PUBLICATIONS

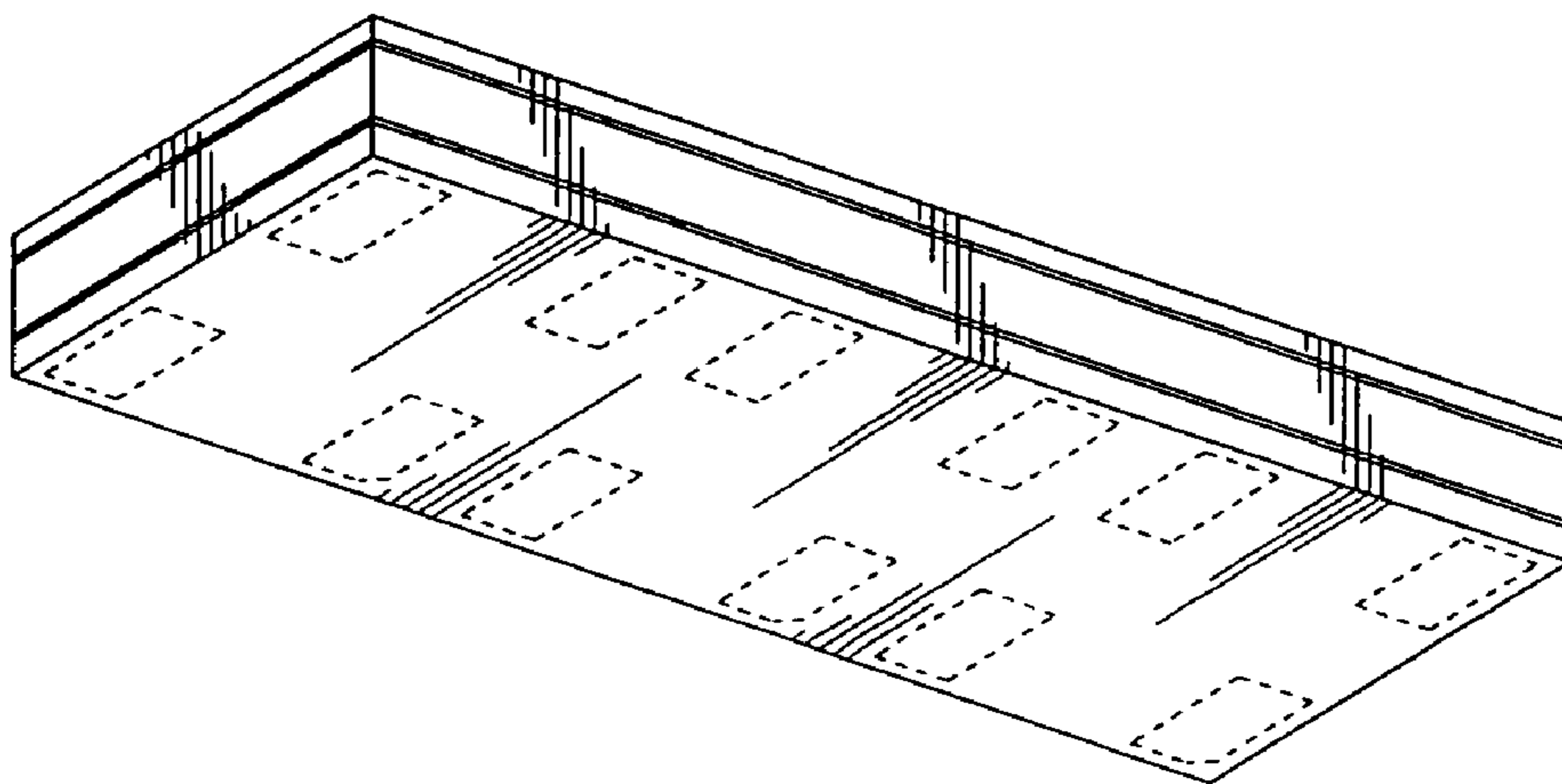
U.S. Appl. No. 29/263,910, filed Aug. 1, 2006, Kentaro Yonehara et al.

Notice of Reason for Refusal issued in corresponding JP application No. 2006-016991 issued Mar. 9, 2007, 2 pages in English and 1 page in Japanese.

\* cited by examiner



*FIG. 1*



*FIG. 2*

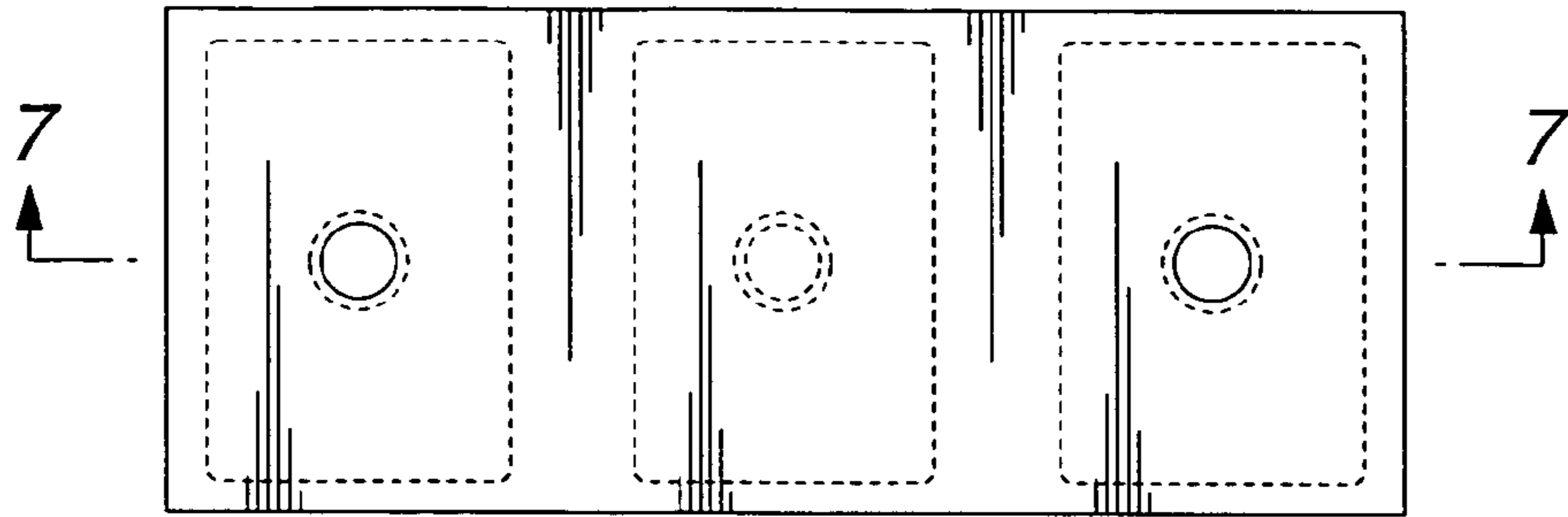


FIG. 3

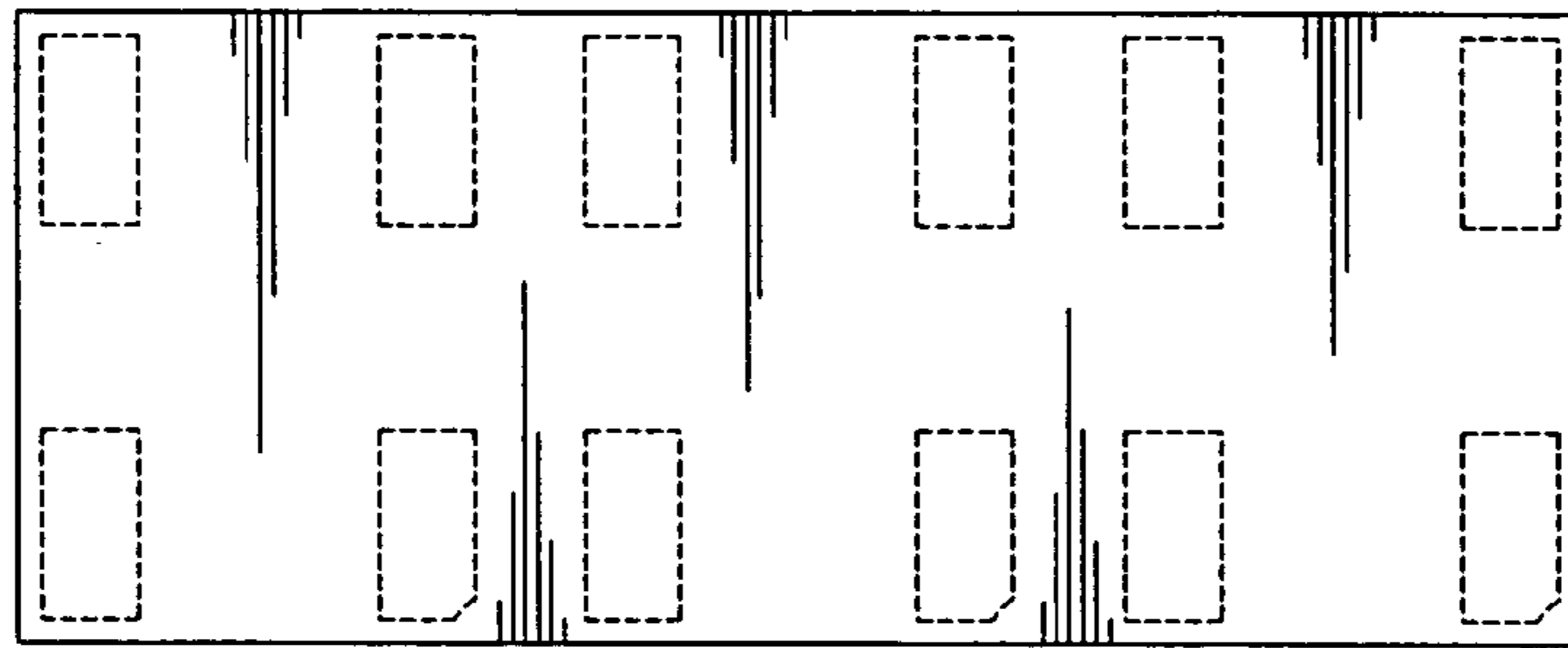


FIG. 4

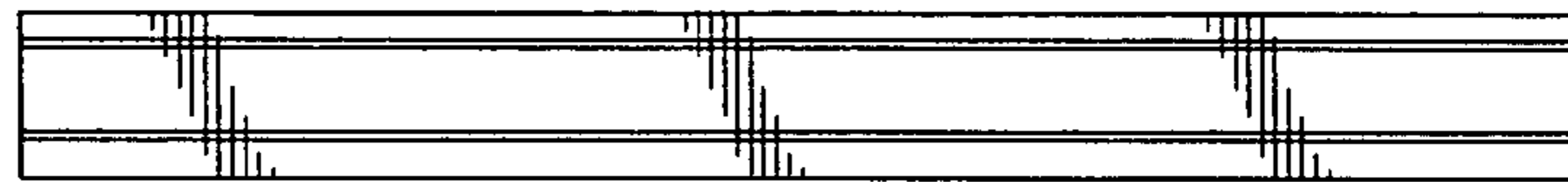


FIG. 5

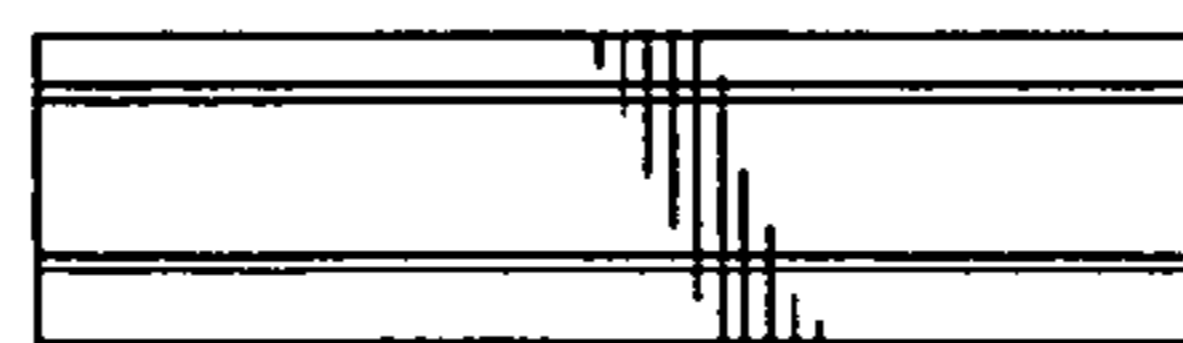


FIG. 6



FIG. 7