



US00D569849S

(12) **United States Design Patent**  
**Goransson**

(10) **Patent No.:** **US D569,849 S**

(45) **Date of Patent:** **\*\* May 27, 2008**

(54) **HEADSET**

(75) Inventor: **Magnus Goransson**, Copenhagen (DK)

(73) Assignee: **GN Netcom A/S**, Ballerup (DK)

(\*\*) Term: **14 Years**

(21) Appl. No.: **29/270,608**

(22) Filed: **Dec. 28, 2006**

(30) **Foreign Application Priority Data**

Jul. 3, 2006 (EM) ..... 000554068-0001

(51) **LOC (8) Cl.** ..... **14-01**

(52) **U.S. Cl.** ..... **D14/223**

(58) **Field of Classification Search** ..... D14/205,  
D14/206, 223, 188, 192, 240; D24/174;  
379/430, 433, 433.13; 181/129, 130; 381/370,  
381/376, 377, 378, 379, 380; 455/575.2,  
455/575.7

See application file for complete search history.

(56) **References Cited**

**U.S. PATENT DOCUMENTS**

D463,791 S \* 10/2002 Nagai et al. .... D14/223  
D478,573 S \* 8/2003 Wisley et al. .... D14/223

D480,386 S \* 10/2003 Browne et al. .... D14/223  
D497,613 S \* 10/2004 Gwee ..... D14/223  
D498,750 S \* 11/2004 Ma ..... D14/223  
D502,171 S \* 2/2005 Tang et al. .... D14/223  
D509,210 S \* 9/2005 Skulley et al. .... D14/205  
D514,549 S \* 2/2006 Rath et al. .... D14/223  
7,046,799 B2 \* 5/2006 Ma ..... 379/433.13  
D538,268 S \* 3/2007 Gibson et al. .... D14/223

\* cited by examiner

*Primary Examiner*—Paula A. Greene

(74) *Attorney, Agent, or Firm*—Altera Law Group, LLC

(57) **CLAIM**

The ornamental design for headset, as shown and described.

**DESCRIPTION**

FIG. 1 is a perspective view of the headset.

FIG. 2 is a front view thereof.

FIG. 3 is a side view thereof.

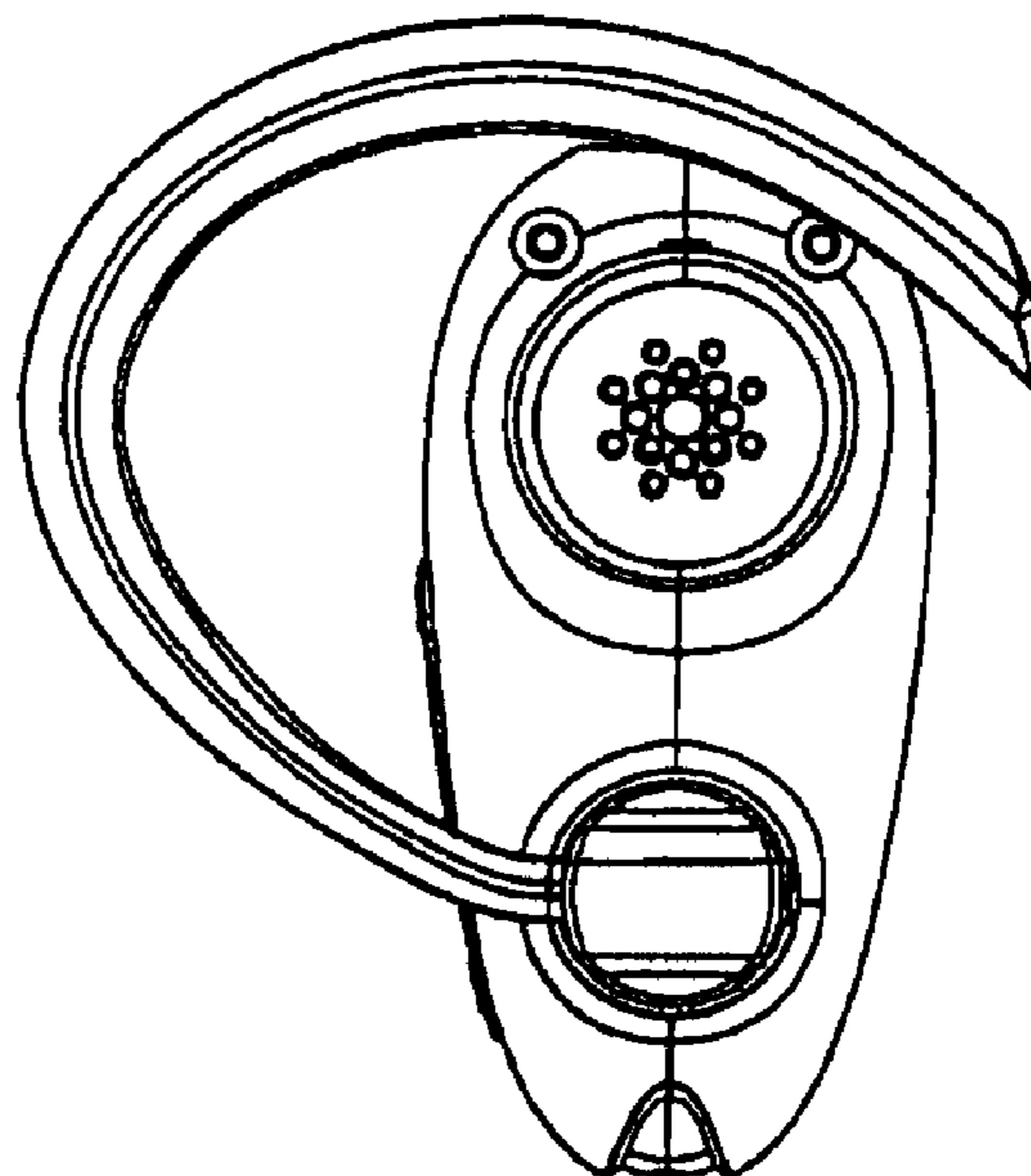
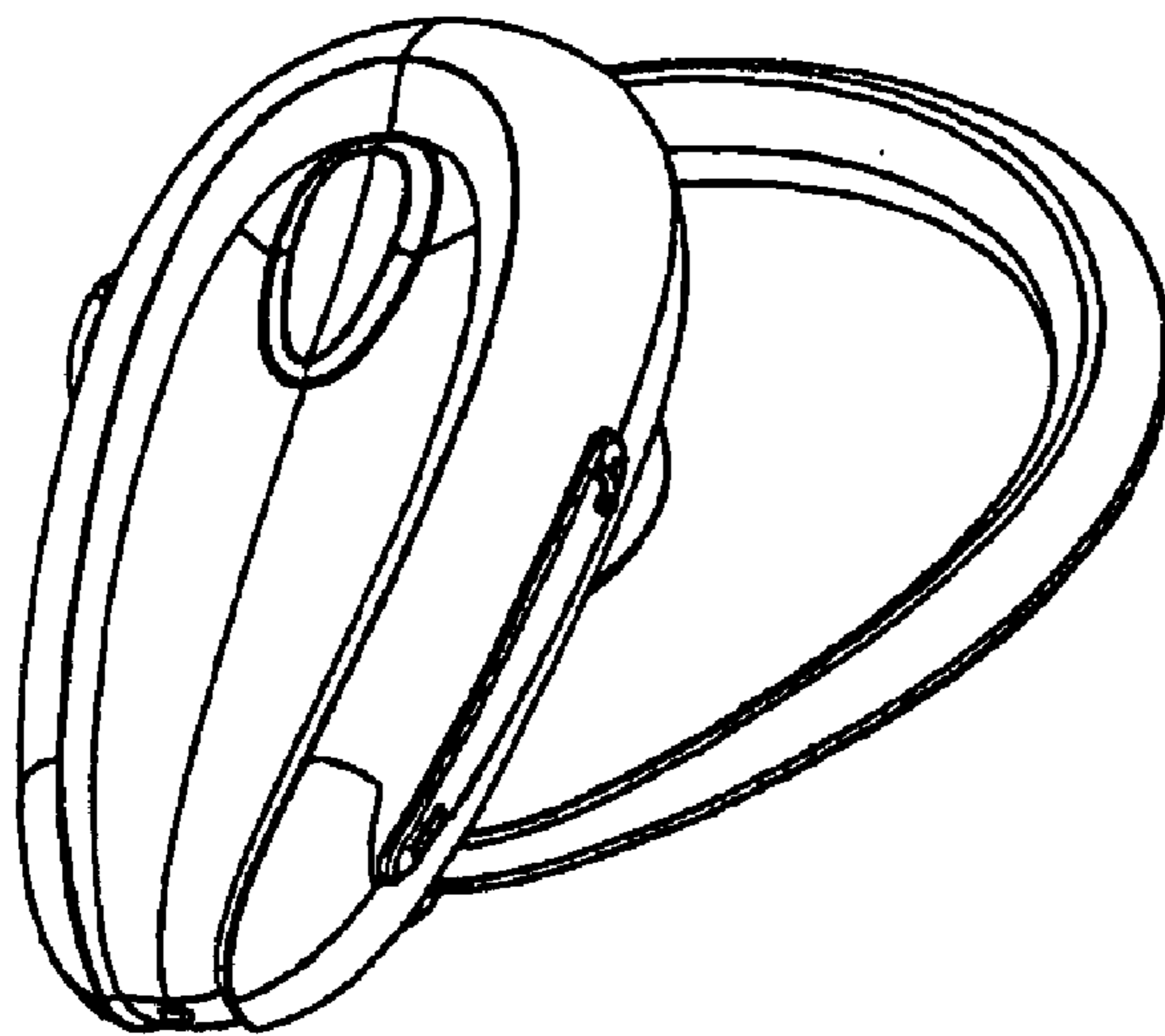
FIG. 4 is a top view thereof.

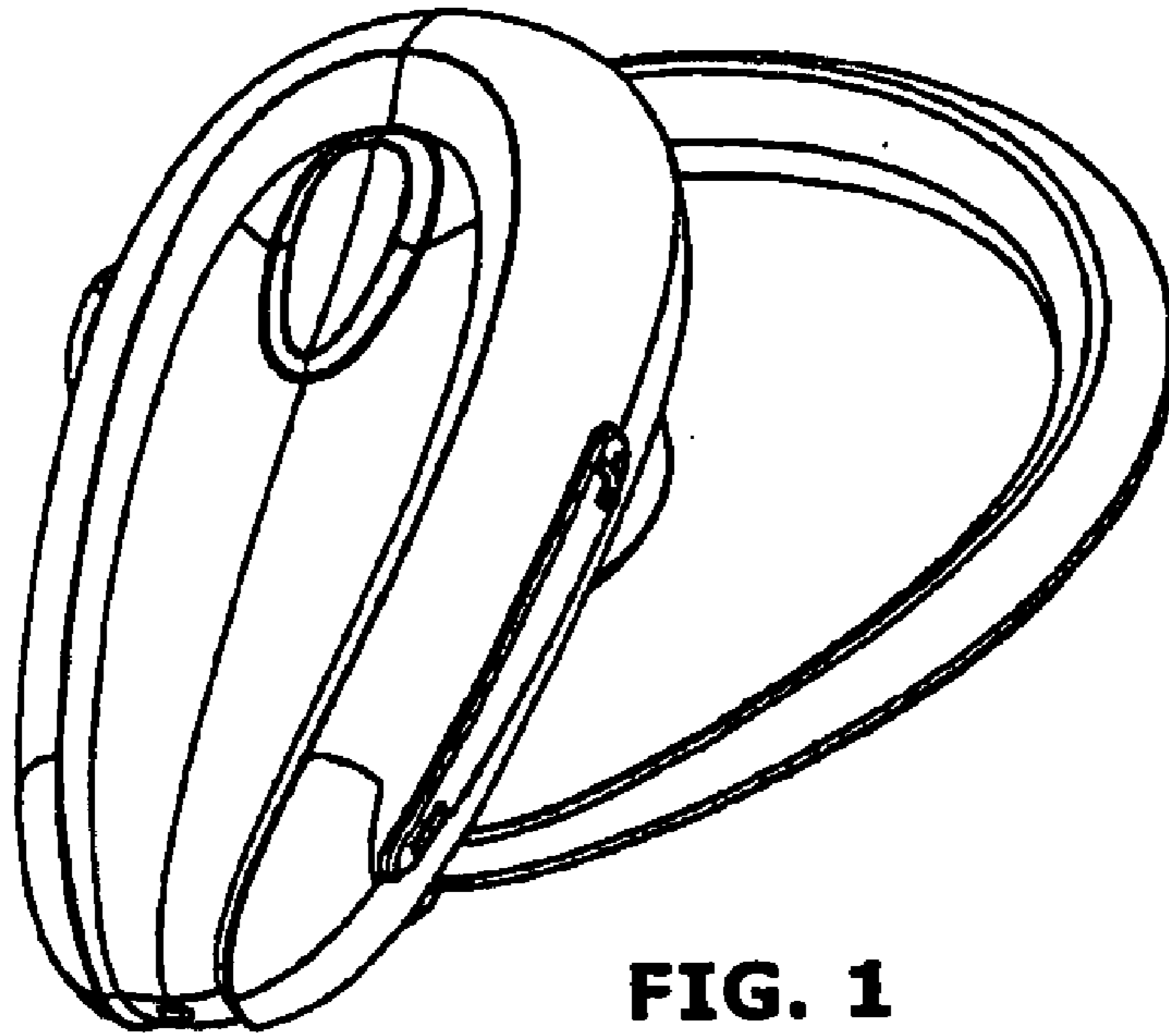
FIG. 5 is a bottom view thereof.

FIG. 6 is a back view thereof; and,

FIG. 7 is a side view thereof.

**1 Claim, 3 Drawing Sheets**





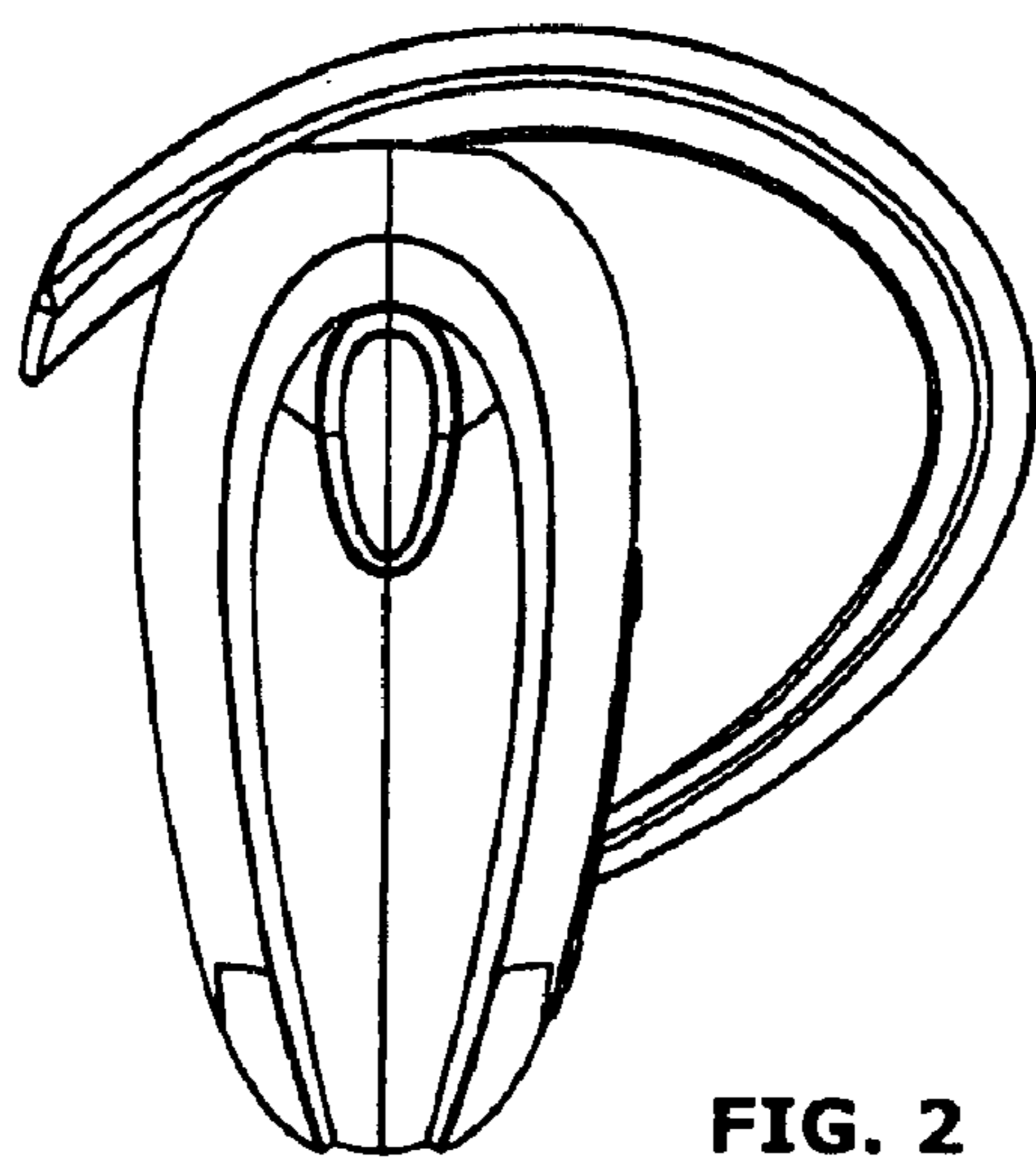


FIG. 2

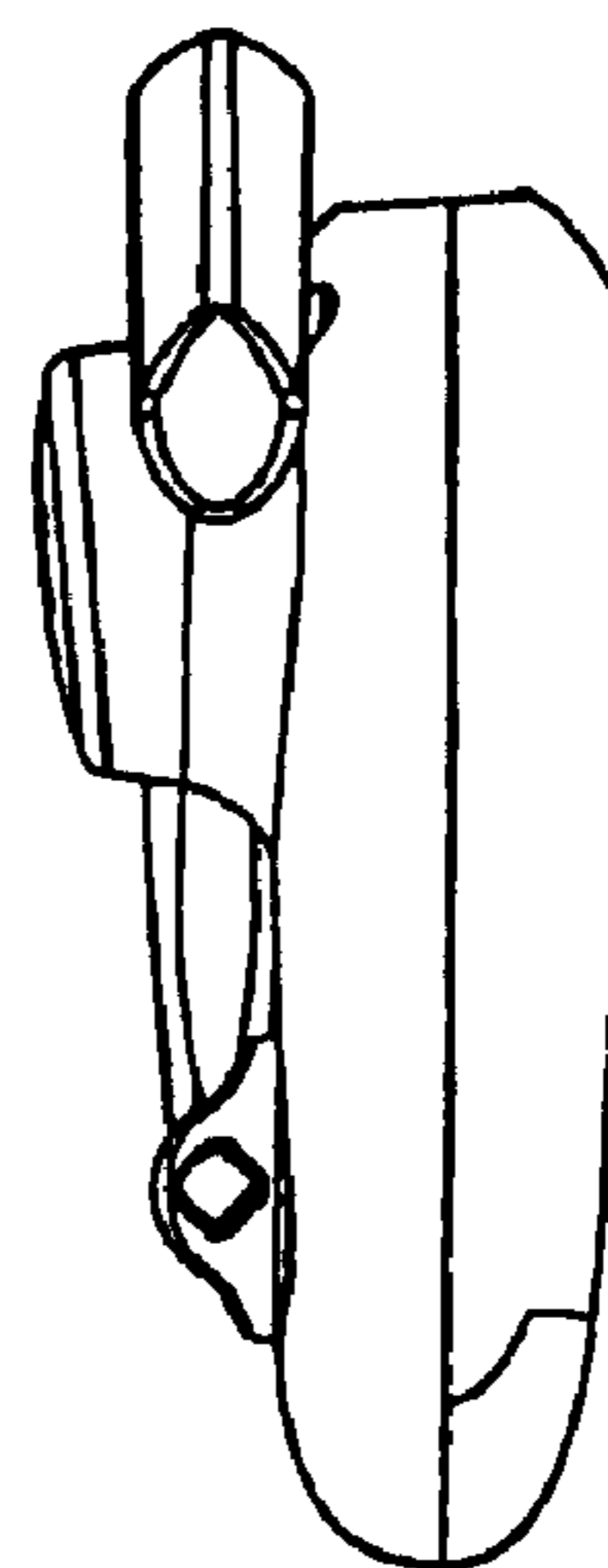


FIG. 3

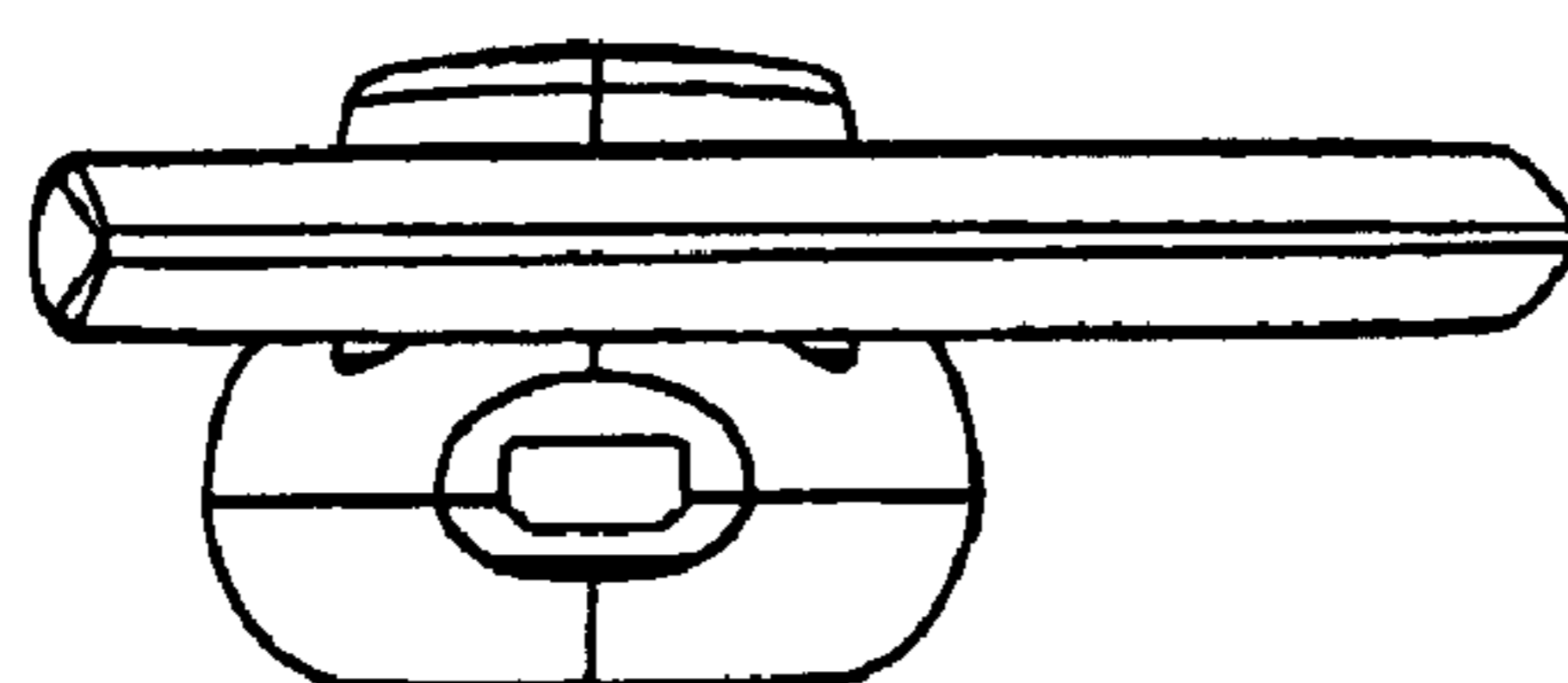


FIG. 4

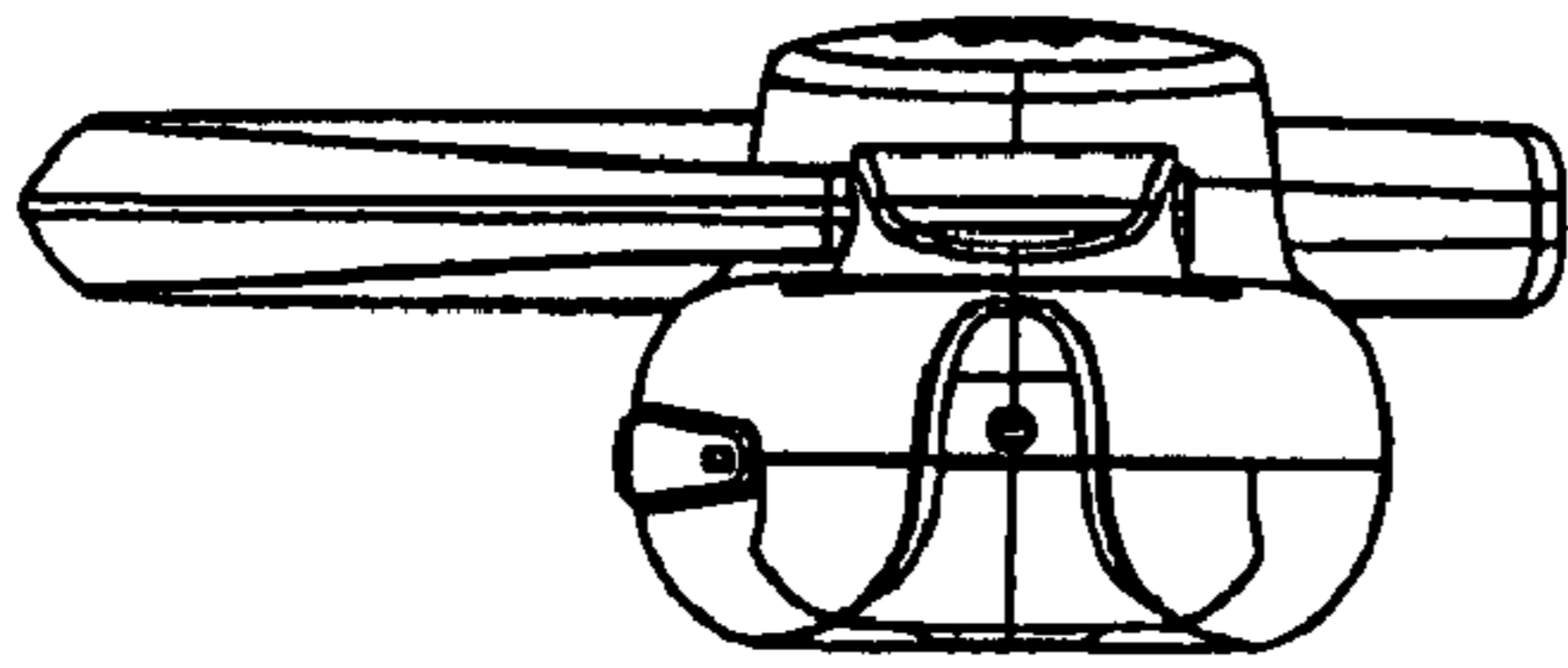


FIG. 5

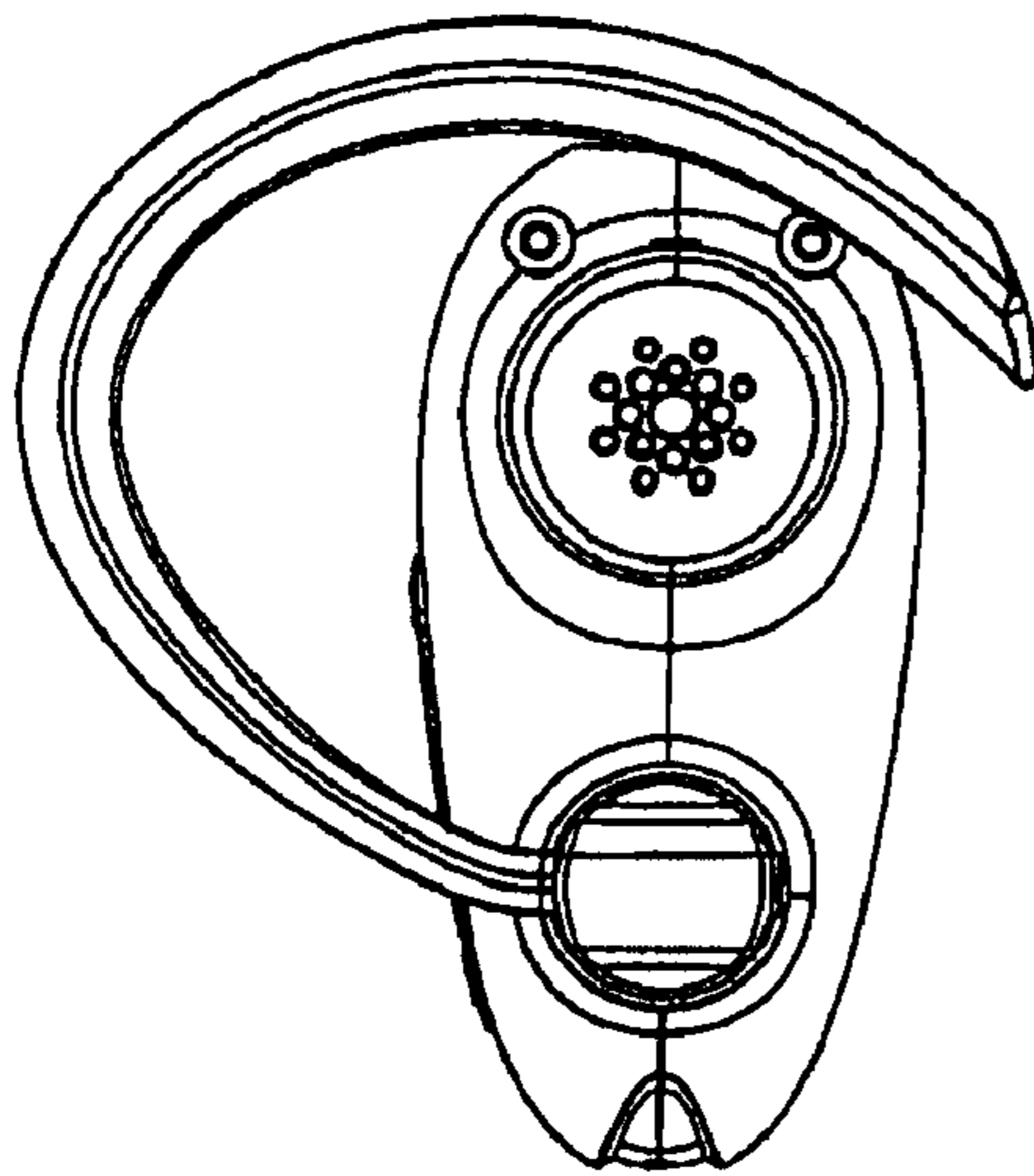


FIG. 6

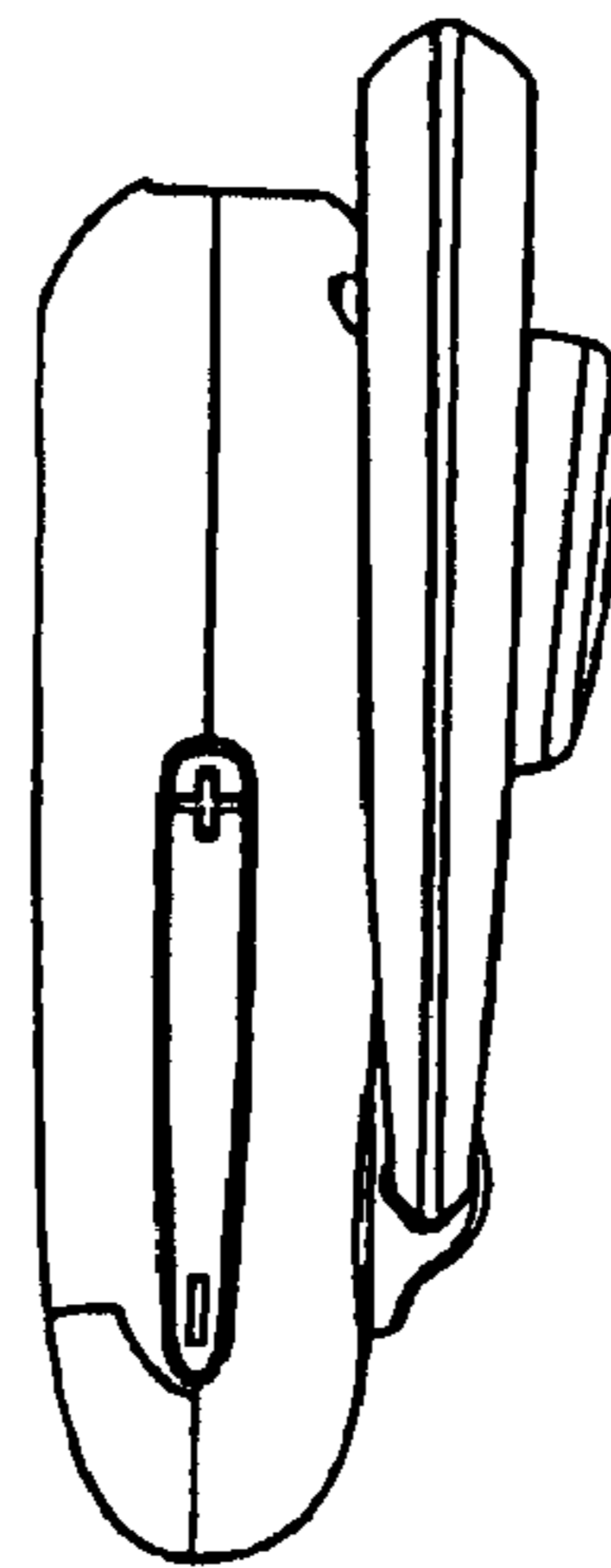


FIG. 7