



US00D569848S

(12) **United States Design Patent**
Suzuki

(10) **Patent No.:** **US D569,848 S**

(45) **Date of Patent:** **** May 27, 2008**

(54) **ADAPTER FOR A DIGITAL AUDIO PLAYER**

(75) Inventor: **Shogo Suzuki**, Kawasaki (JP)

(73) Assignee: **Kabushiki Kaisha Toshiba** (JP)

(**) Term: **14 Years**

(21) Appl. No.: **29/244,360**

(22) Filed: **Dec. 9, 2005**

(30) **Foreign Application Priority Data**

Oct. 21, 2005 (JP) 2005-030992

(51) **LOC (8) Cl.** **14-03**

(52) **U.S. Cl.** **D14/217; D14/188**

(58) **Field of Classification Search** D14/155,
D14/162, 167, 188, 217, 299, 356-358, 432-434,
D14/439, 496; D13/107, 108, 133; 307/150,
307/151; 439/540.1, 683; 455/91, 556.1,
455/556.2, 557

See application file for complete search history.

(56) **References Cited**

U.S. PATENT DOCUMENTS

- D331,385 S 12/1992 Oka
- D340,048 S * 10/1993 Tseng D14/433
- D361,324 S * 8/1995 Rogers D14/434
- D361,758 S * 8/1995 Youens et al. D14/434
- D383,801 S * 9/1997 Oikawa D21/333
- D419,136 S * 1/2000 Tomizawa D13/147
- D442,955 S * 5/2001 Reynolds et al. D14/356
- D454,130 S * 3/2002 Do et al. D14/433
- D455,431 S * 4/2002 Freitag et al. D14/433
- D507,261 S * 7/2005 Griffin D14/226
- D507,273 S * 7/2005 Ibuki D14/433
- D531,991 S * 11/2006 Chau D14/217

- D535,972 S * 1/2007 Griffin D14/155
- D536,695 S * 2/2007 Griffin D14/230
- D545,809 S * 7/2007 Griffin D14/155
- D546,811 S * 7/2007 Neu et al. D14/155

FOREIGN PATENT DOCUMENTS

- CN 3341893D 12/2003
- CN 3417229D 1/2005
- JP 1181761 8/2003
- JP 1183656 9/2003

OTHER PUBLICATIONS

B&H Summer Catalog, pp. 28-29, dated Jun. 2004.

* cited by examiner

Primary Examiner—Stella M. Reid

Assistant Examiner—Keli L Acker

(74) *Attorney, Agent, or Firm*—Banner & Witcoff, Ltd.

(57) **CLAIM**

The ornamental design for an adapter for a digital audio player, as shown and described.

DESCRIPTION

FIG. 1 is a front, top and right side perspective view of an adapter for a digital audio player, showing my new design;

FIG. 2 is a front elevational view thereof;

FIG. 3 is a rear elevational view thereof;

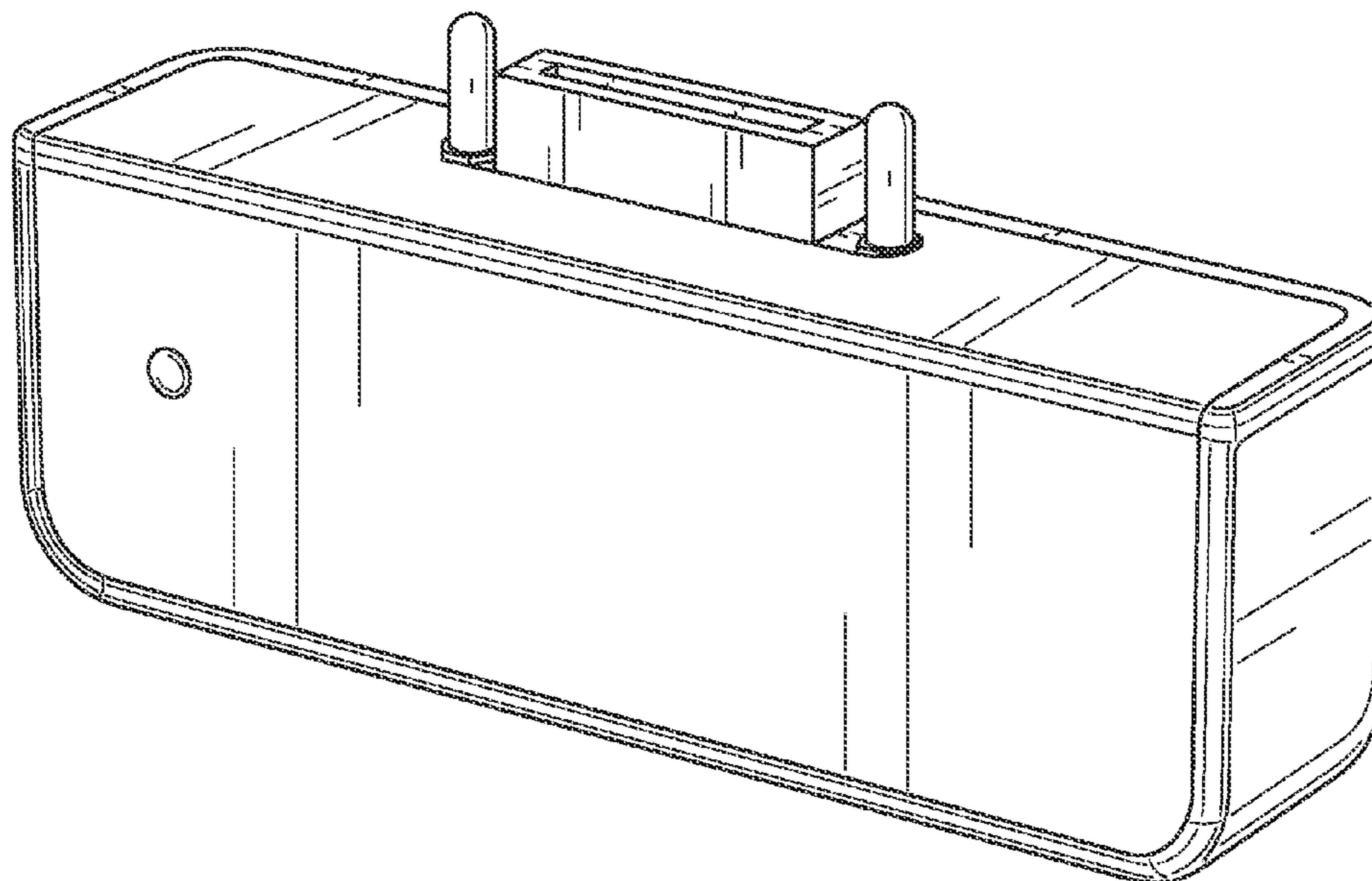
FIG. 4 is a top plan view thereof;

FIG. 5 is a bottom plan view thereof;

FIG. 6 is a right side elevational view thereof; and,

FIG. 7 is a left side elevational view thereof.

1 Claim, 7 Drawing Sheets



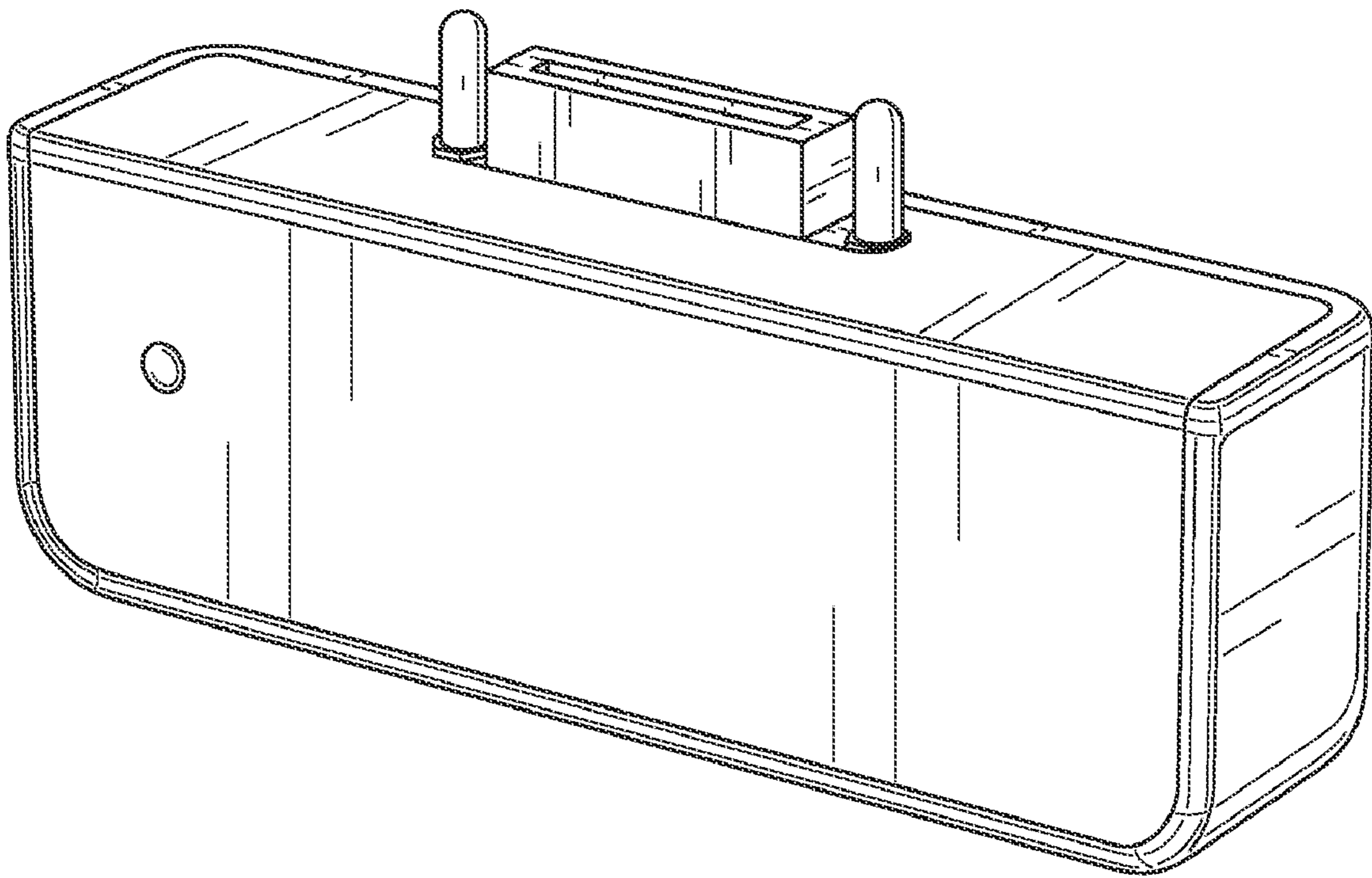


FIG. 1

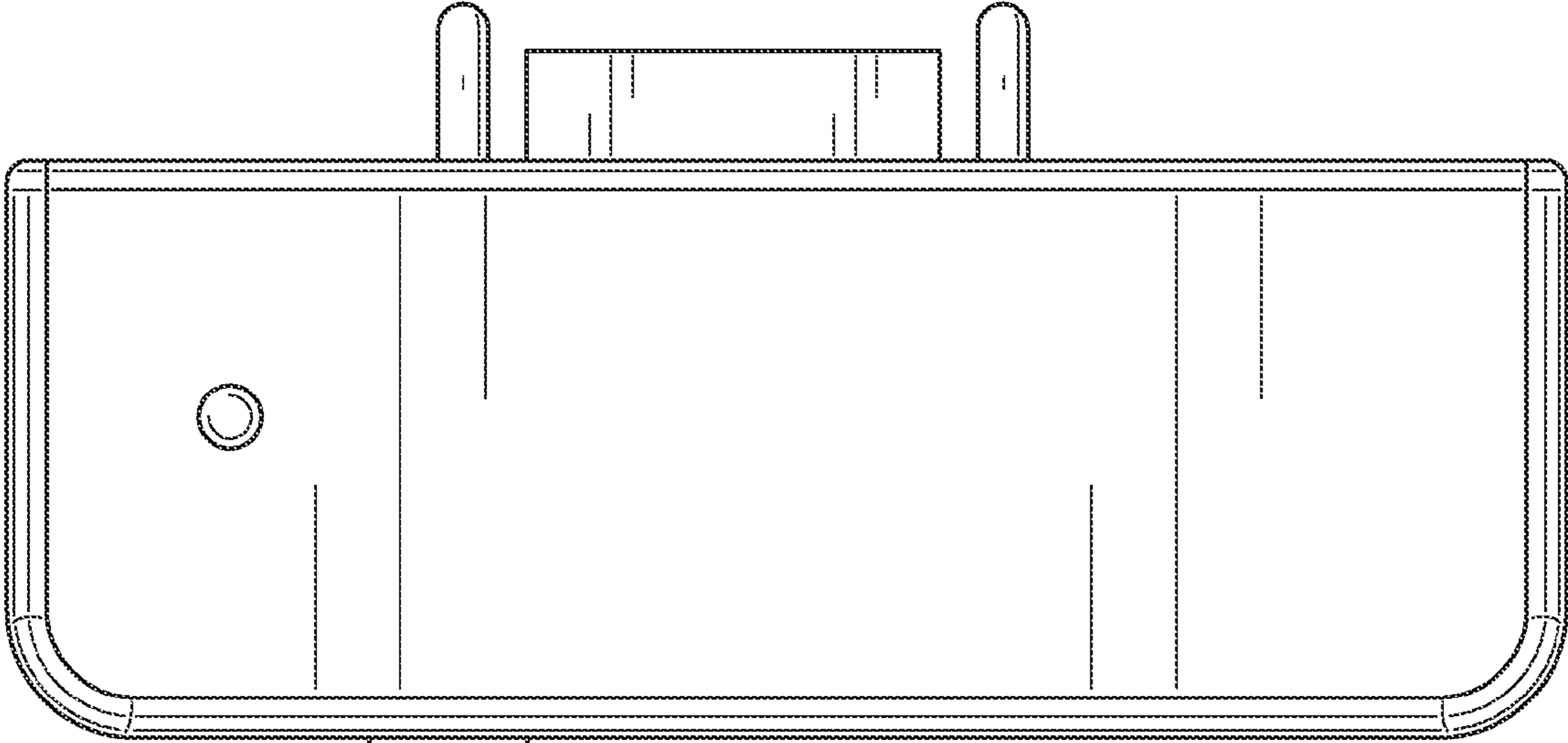


FIG. 2

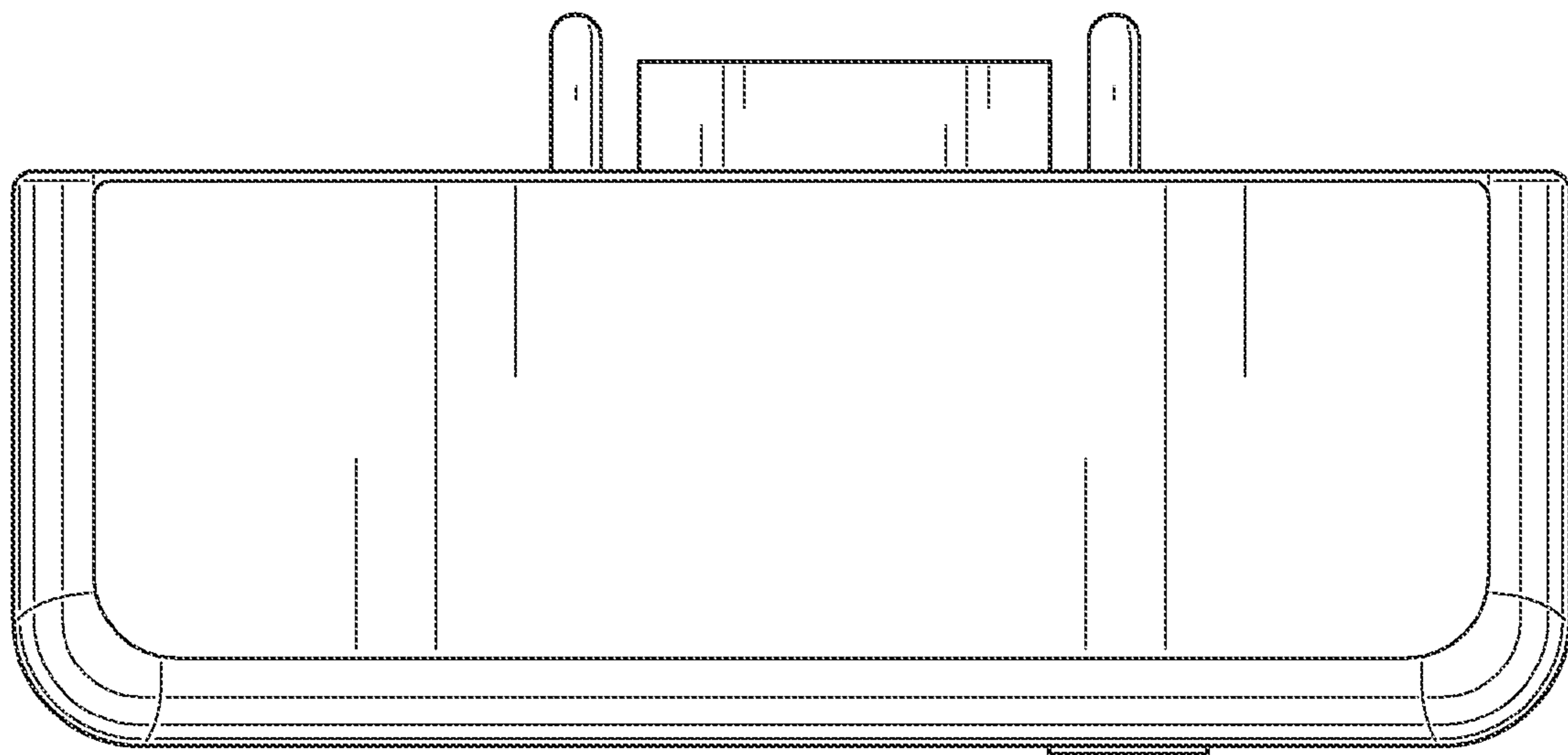


FIG. 3

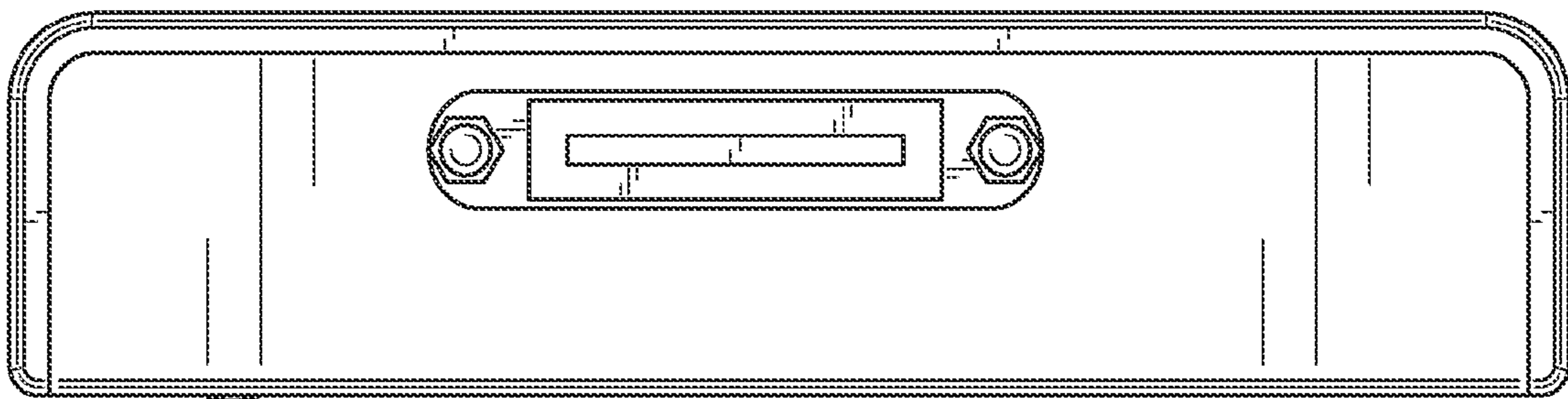


FIG. 4

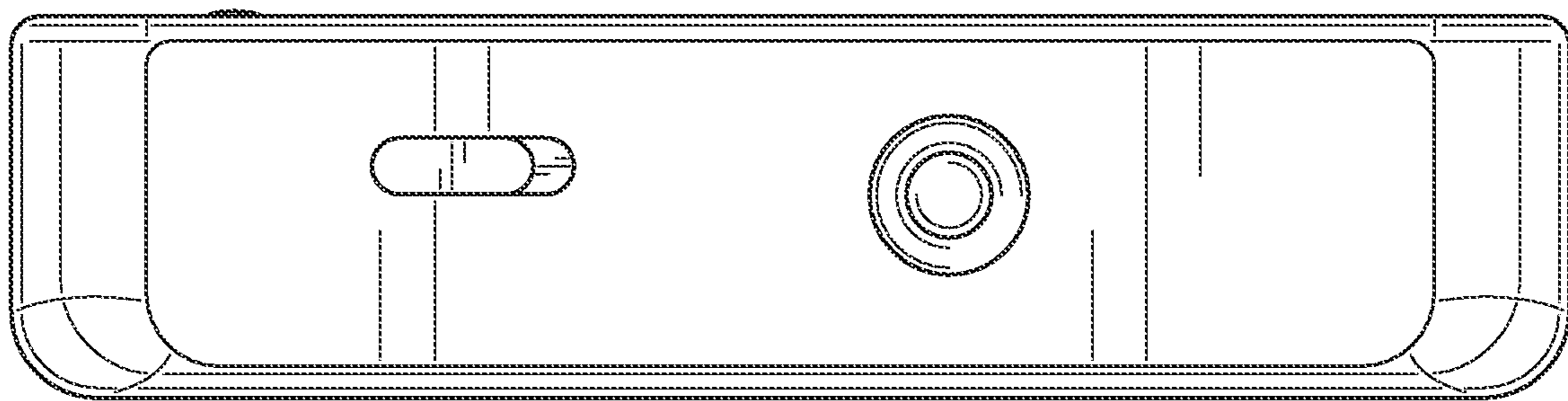


FIG. 5

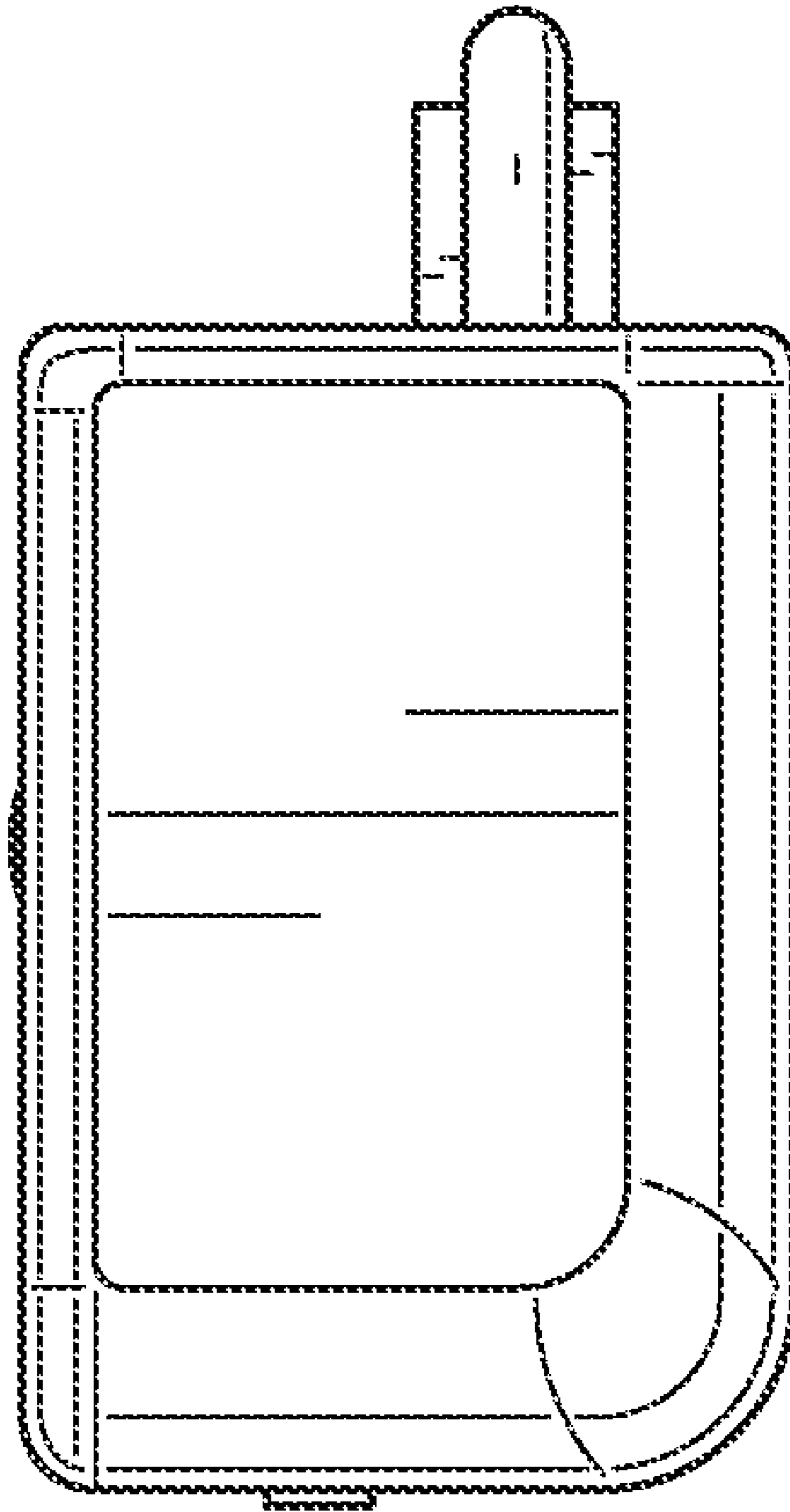


FIG. 6

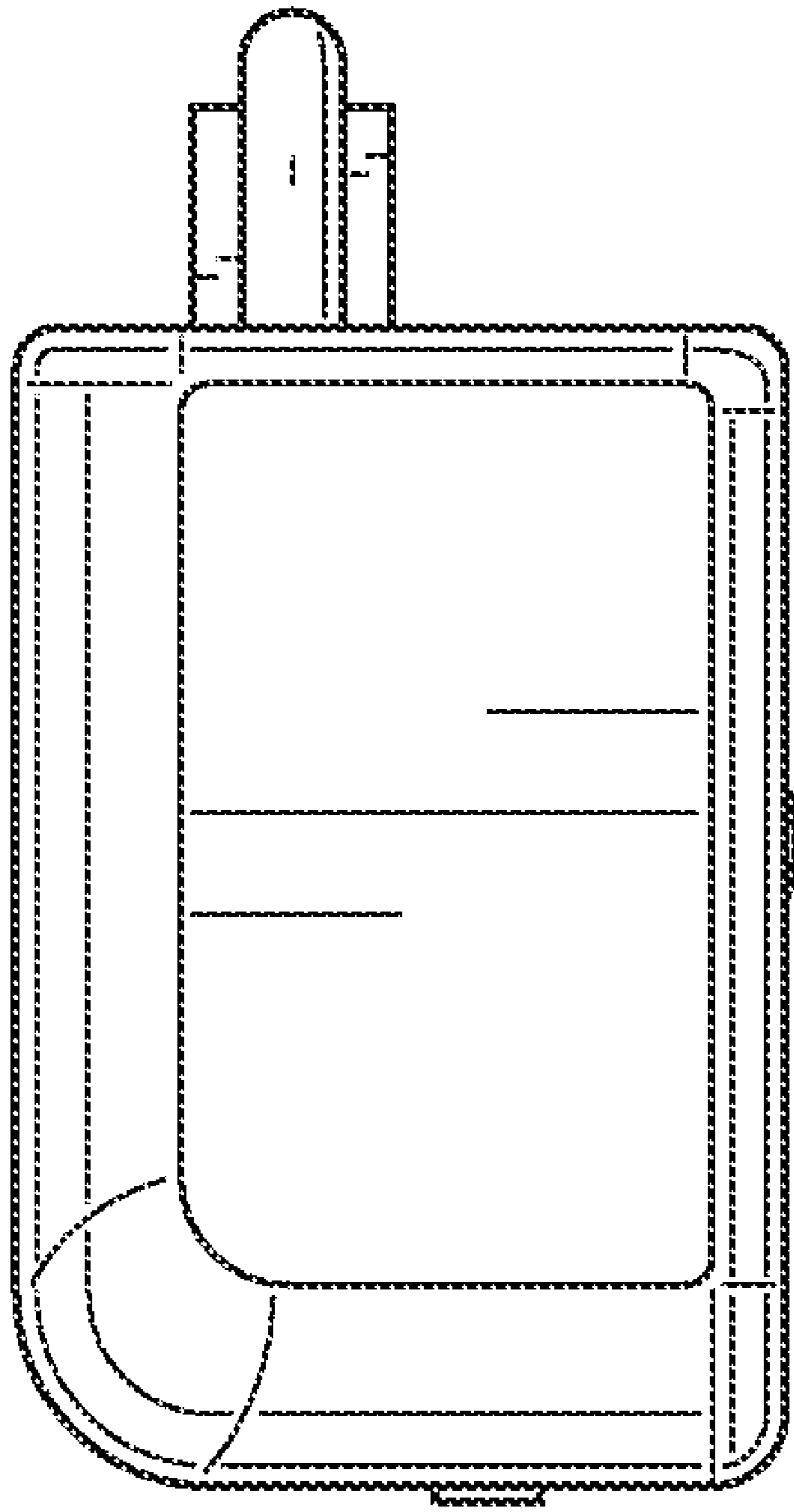


FIG. 7