



US00D569847S

(12) **United States Design Patent**
Miyawaki

(10) **Patent No.:** **US D569,847 S**

(45) **Date of Patent:** **** May 27, 2008**

(54) **SPEAKER BOX**

JP 1285250 11/2006

(75) Inventor: **Masayuki Miyawaki**, Chigasaki (JP)

* cited by examiner

(73) Assignee: **Clarion Co., Ltd.**, Tokyo (JP)

Primary Examiner—Nanda Bondade

(74) *Attorney, Agent, or Firm*—Oliff & Berridge, PLC

(**) Term: **14 Years**

(57) **CLAIM**

(21) Appl. No.: **29/270,554**

The ornamental design for a speaker box, as shown and described.

(22) Filed: **Dec. 28, 2006**

(51) **LOC (8) Cl.** **14-01**

(52) **U.S. Cl.** **D14/215; D14/211**

(58) **Field of Classification Search** D14/204,
D14/209–216; 181/143–144, 147–148, 150,
181/157, 198–199, 151, 153; 381/300–302,
381/306, 333, 345, 361–364, 386–388, 332,
381/336

See application file for complete search history.

DESCRIPTION

(56) **References Cited**

U.S. PATENT DOCUMENTS

6,504,938 B1 * 1/2003 Anderson et al. 181/145
D530,309 S * 10/2006 Hoehn et al. D14/211
D531,617 S * 11/2006 Rozier D14/215

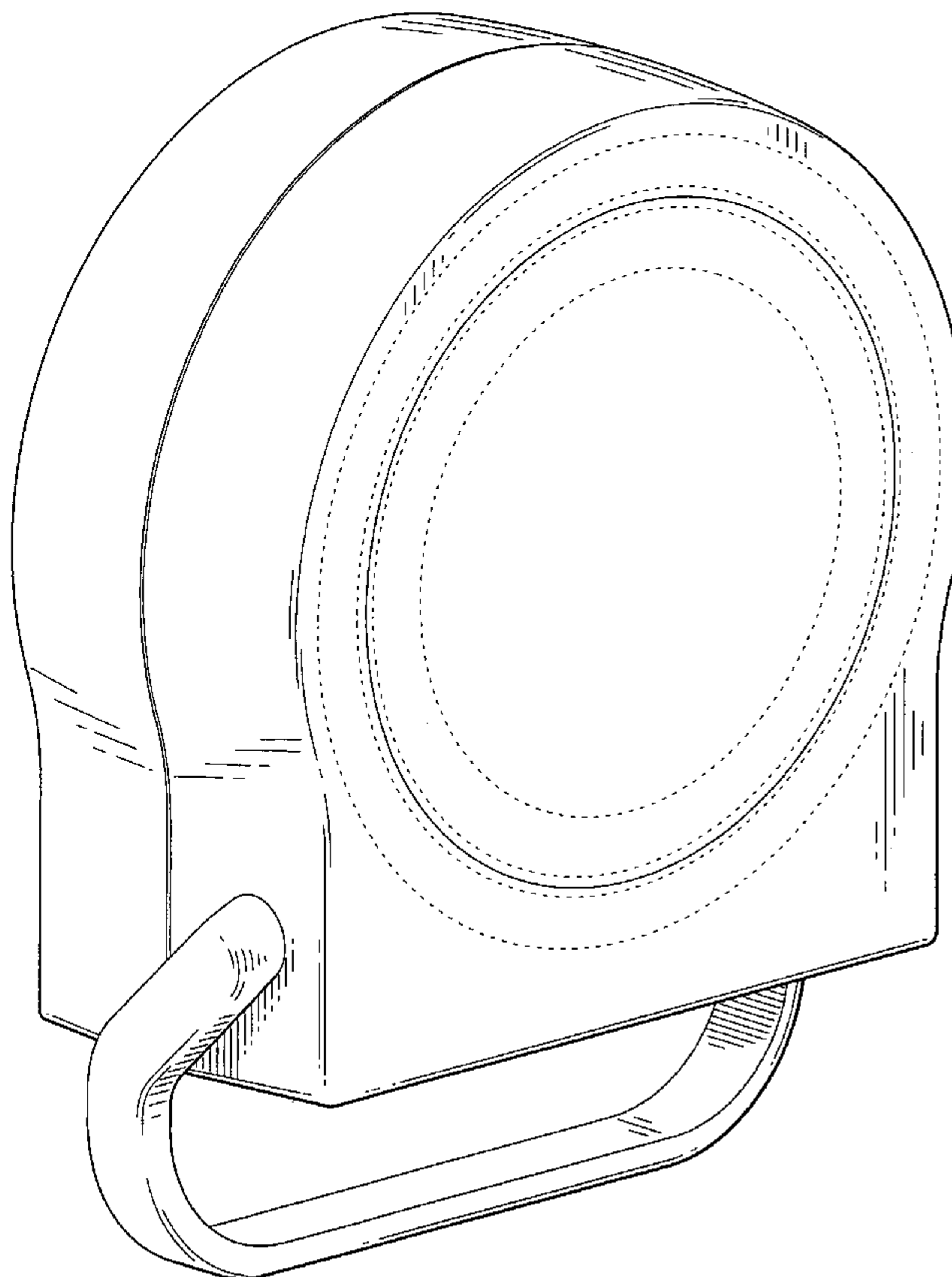
FOREIGN PATENT DOCUMENTS

JP 1173234 5/2003

FIG. 1 is an enlarged perspective view of a speaker box;
FIG. 2 is a front view thereof;
FIG. 3 is a rear view thereof;
FIG. 4 is a left-side view thereof;
FIG. 5 is a right-side view thereof;
FIG. 6 is a top view thereof;
FIG. 7 is a bottom view thereof; and,
FIG. 8 is an enlarged perspective view thereof with an arm
of the speaker box in an upright position.

The broken lines depict environmental subject matter only
and form no part of the claimed design.

1 Claim, 5 Drawing Sheets



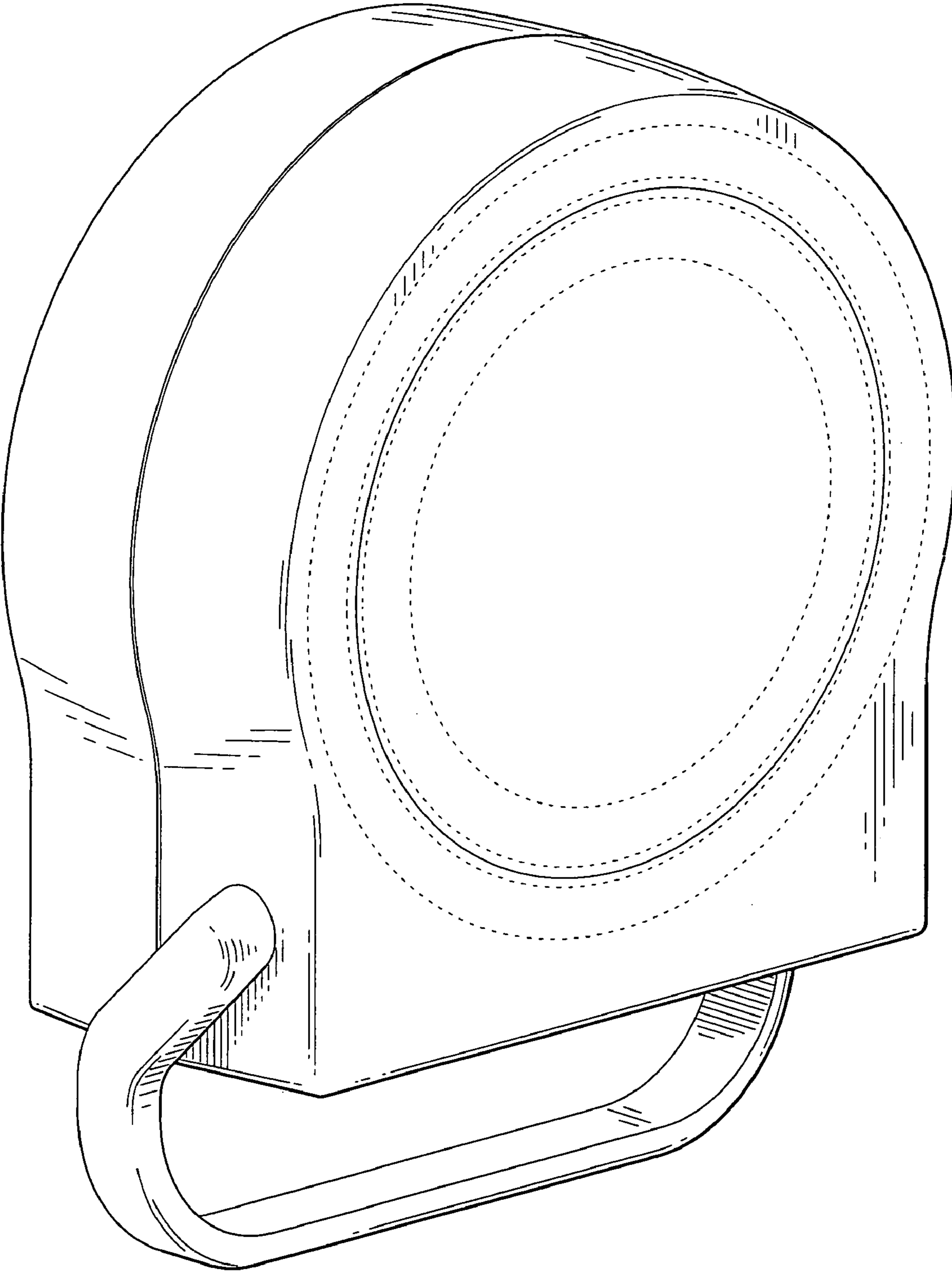


FIG. 1

FIG. 2

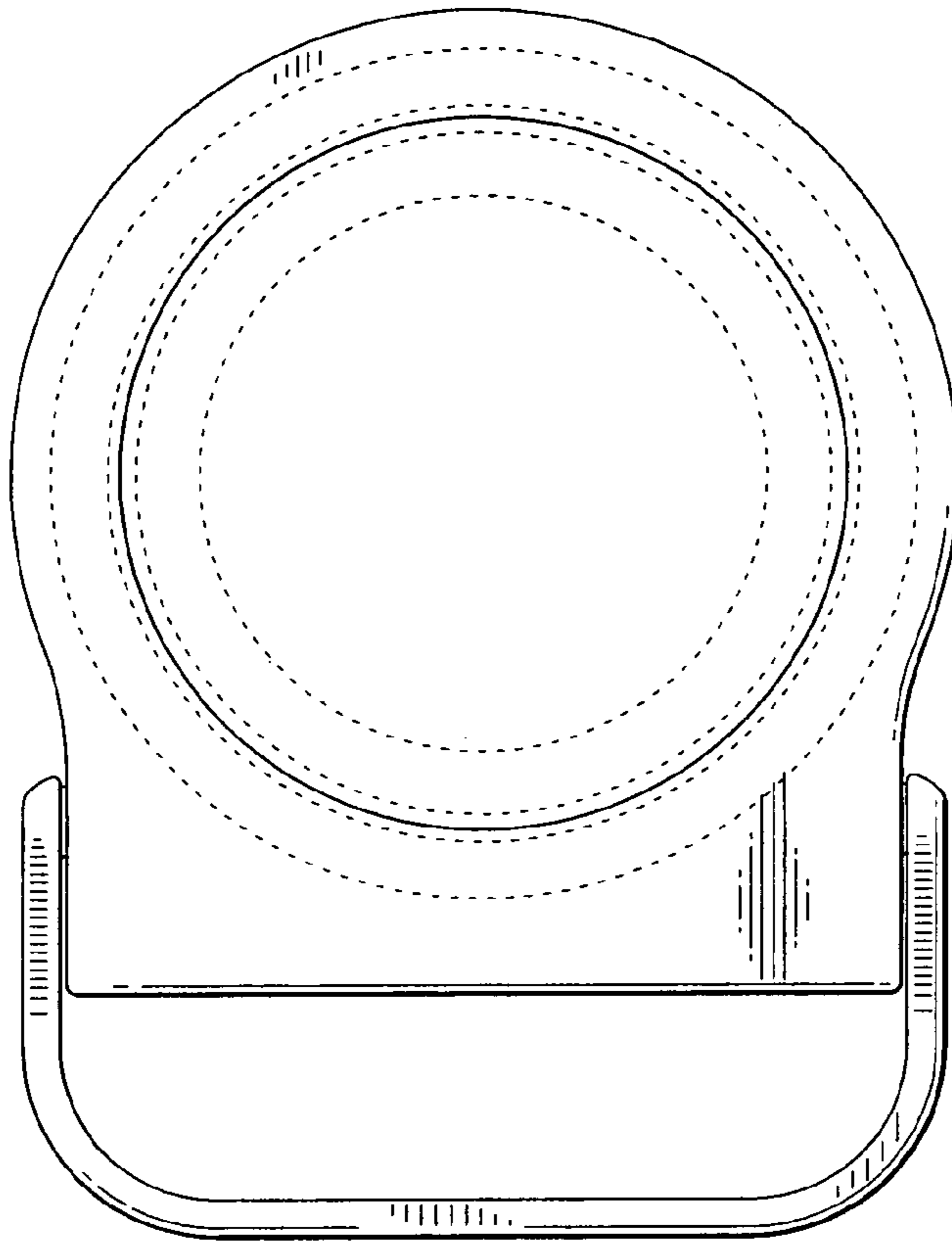


FIG. 3

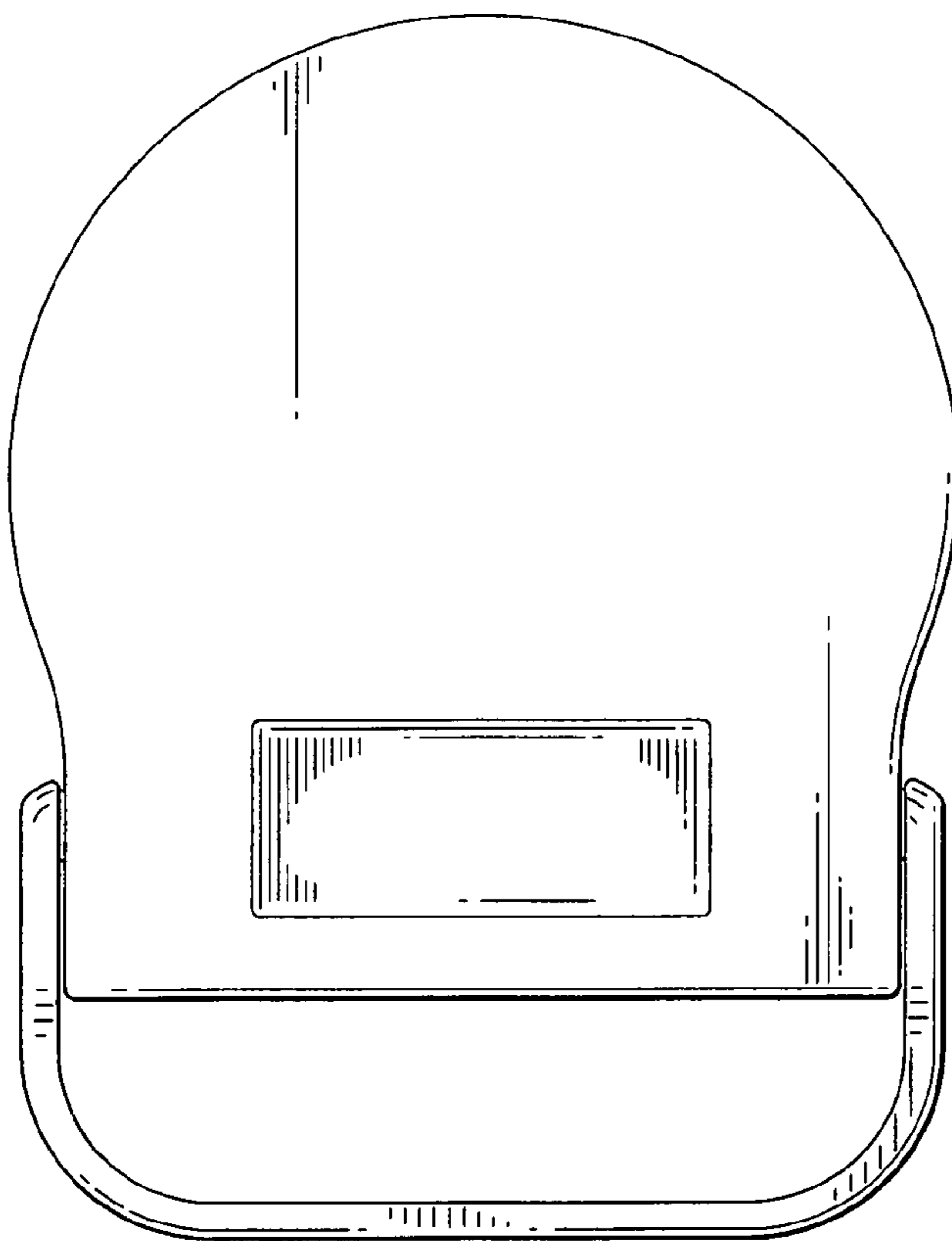


FIG. 4

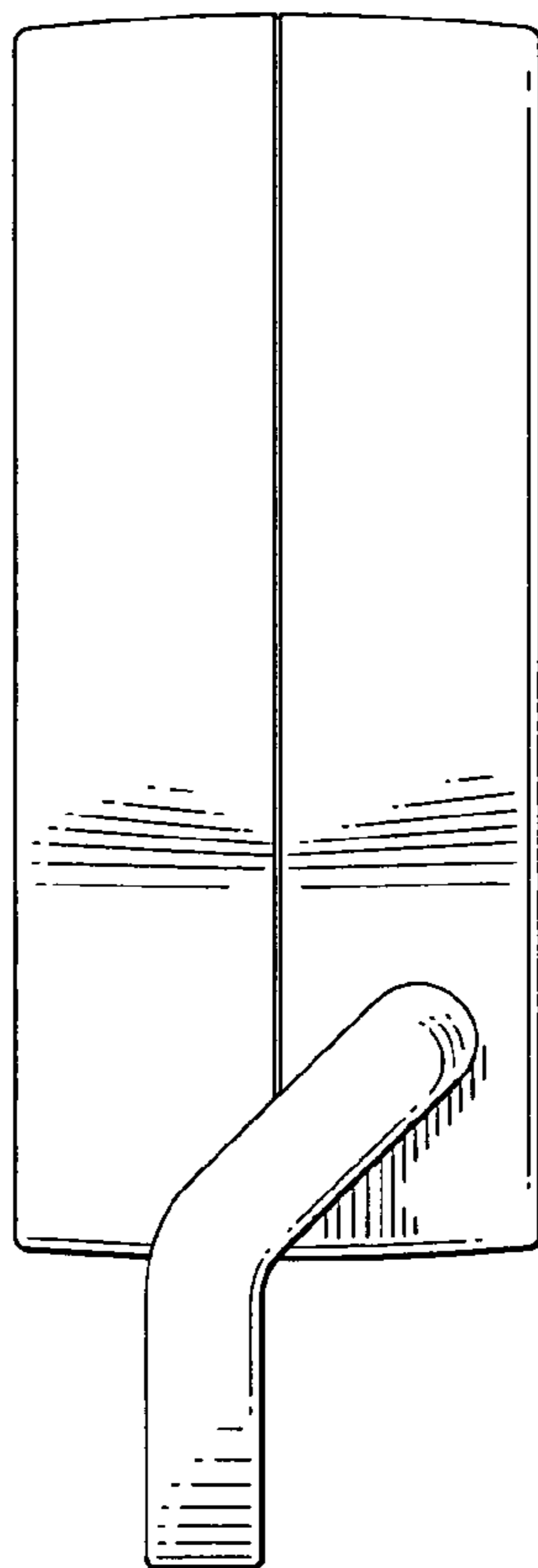


FIG. 5

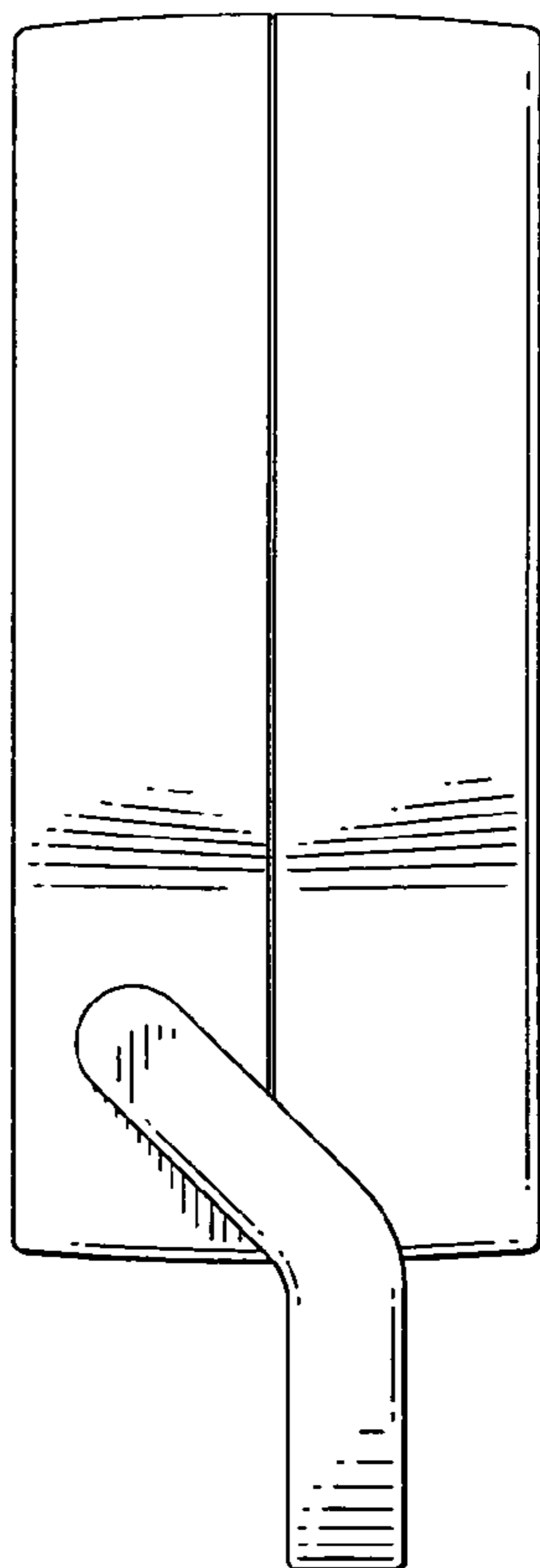


FIG. 6

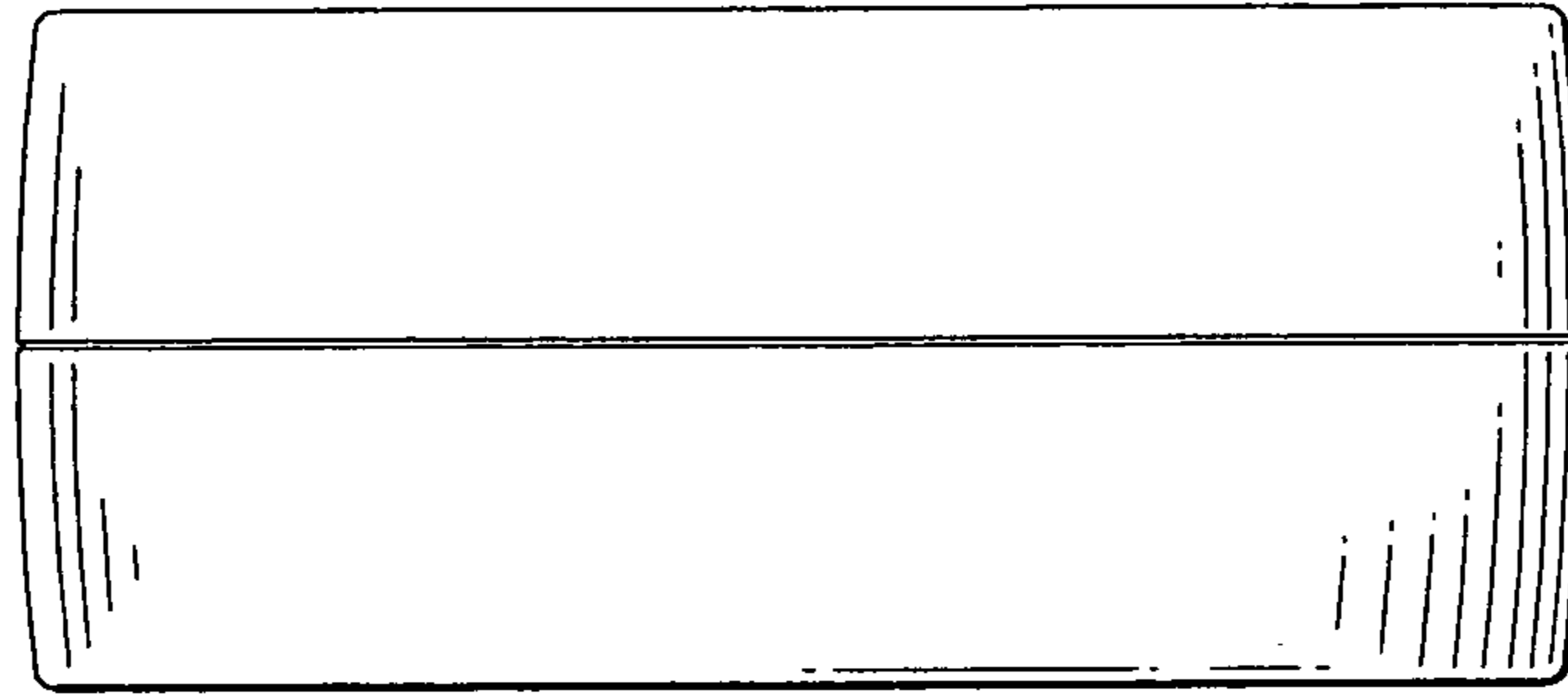
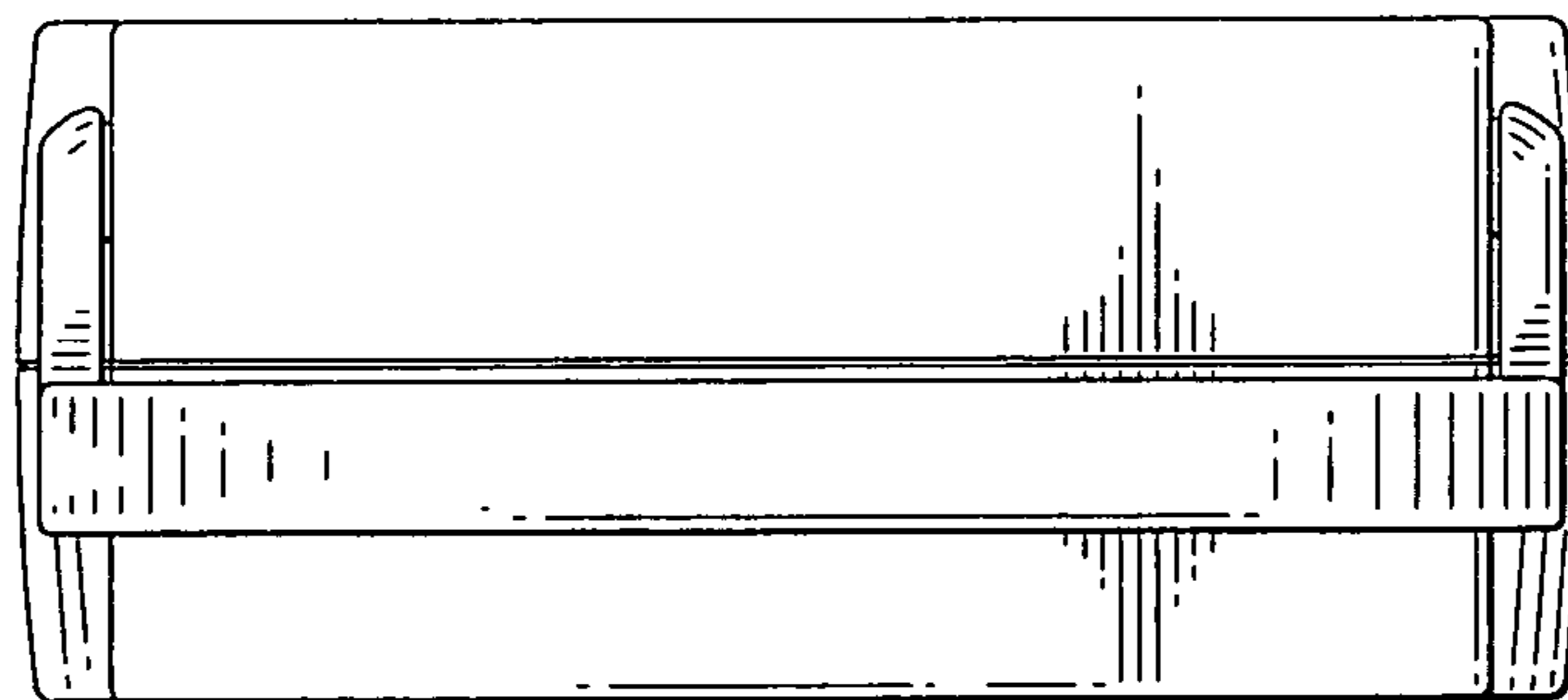


FIG. 7



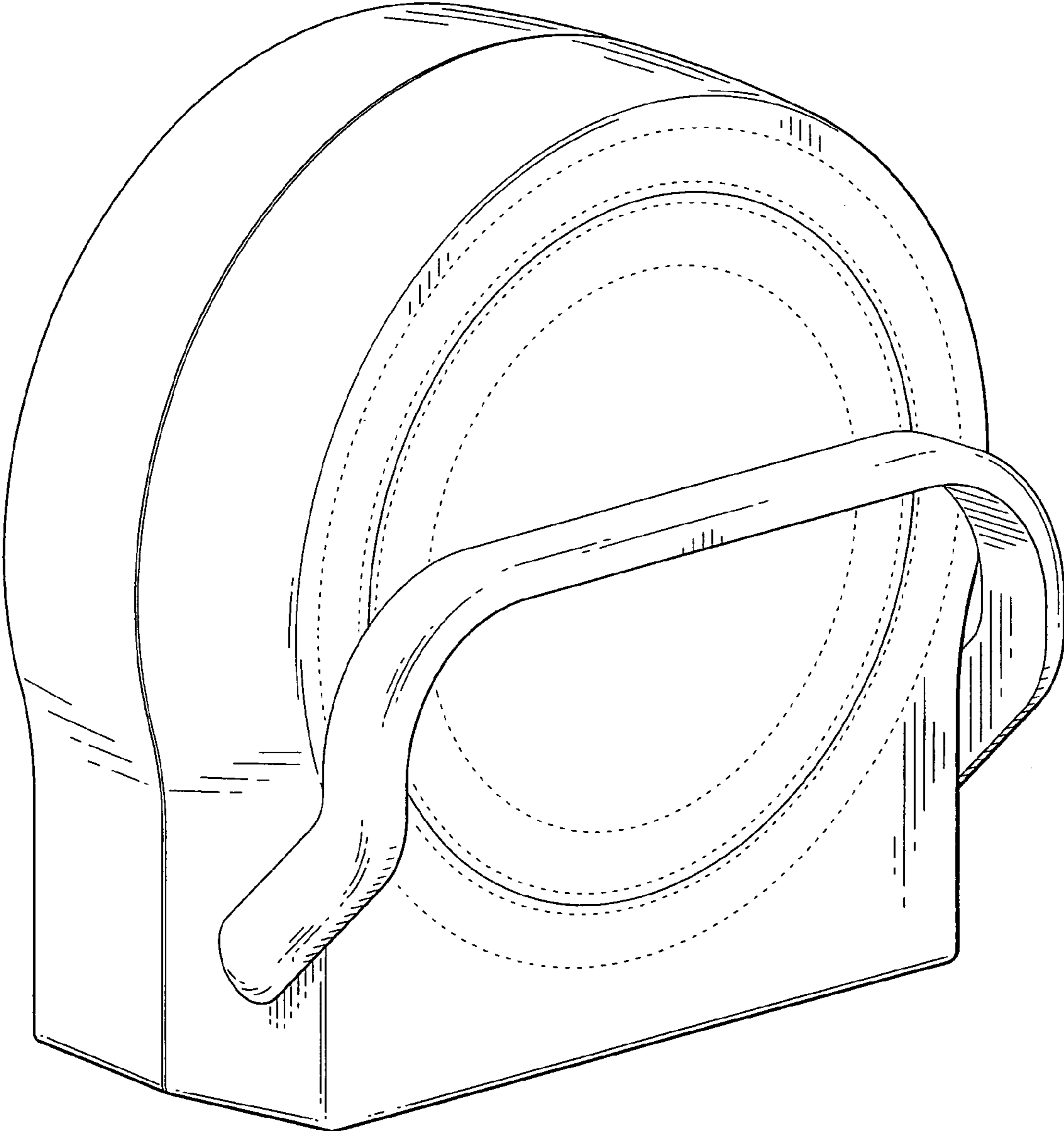


FIG. 8