



US00D569845S

(12) **United States Design Patent** (10) **Patent No.:** **US D569,845 S**
Ragde, Jr. et al. (45) **Date of Patent:** **** May 27, 2008**

(54) **PORTABLE SPEAKER SYSTEM**

D516,579 S * 3/2006 Nakamura D14/496

(Continued)

(75) Inventors: **Jorge V. Ragde, Jr.**, Canyon Country, CA (US); **Timothy J. Jacobus**, Agoura Hills, CA (US)

FOREIGN PATENT DOCUMENTS

DE 2006005333 U1 7/2006
JP 0501995-5M001 8/2005

(73) Assignee: **Portable Sound Laboratories, Inc.**, Chatsworth, CA (US)

OTHER PUBLICATIONS

(**) Term: **14 Years**

Office Action (mailed Sep. 4, 2007), U.S. Appl. No. 29/282,181, filed Jul. 12, 2007, First Named Inventor, Jorge V. Ragde, Jr., 10 pages.

(21) Appl. No.: **29/282,184**

Office Action (mailed Nov. 14, 2007), U.S. Appl. No. 29/282,187, filed Jul. 12, 2007, First Named Inventor, Jorge V. Ragde, Jr., 10 pages.

(22) Filed: **Jul. 12, 2007**

(51) **LOC (8) Cl.** **14-01**

Primary Examiner—Nanda Bondade

(52) **U.S. Cl.** **D14/214; D14/217**

(74) *Attorney, Agent, or Firm*—Blakely, Sokoloff, Taylor & Zafman

(58) **Field of Classification Search** D14/204, D14/211–216, 172, 188, 474, 496, 217; D3/218, D3/301; D6/632–635; 181/143–148, 150, 181/157, 198–199, 151, 153; 381/300–302, 381/306, 333, 345, 361–364, 385–388, 332, 381/336; 361/689, 679; 224/576, 929

(57) **CLAIM**

See application file for complete search history.

I claim the ornamental design for a portable speaker system, as shown and described.

(56) **References Cited**

DESCRIPTION

U.S. PATENT DOCUMENTS

FIG. 1 is a rear perspective view of a portable speaker system.

D302,903 S	8/1989	Johnston	
D376,150 S	12/1996	Pesce	
D407,432 S	3/1999	Tell	
6,345,751 B1	2/2002	Elliot	
D469,421 S	1/2003	Stickles et al.	
6,522,613 B1	2/2003	Frankeny et al.	
D483,349 S	12/2003	Murakami	
6,712,249 B2	3/2004	Magnusson et al.	
D488,483 S *	4/2004	Hu	D14/496
D489,529 S	5/2004	Vish et al.	
D491,167 S	6/2004	Yokoyama	
D495,185 S	8/2004	Palmer	
D497,051 S	10/2004	Nieves	
D498,471 S *	11/2004	Solland et al.	D14/215
D502,165 S *	2/2005	Ching	D14/156
D508,689 S	8/2005	Schul et al.	
D511,895 S	11/2005	Vish et al.	
D513,148 S	12/2005	Nieves	

FIG. 2 is a front perspective view of the portable speaker system FIG. 1.

FIG. 3 is a rear elevational view of the portable speaker system of FIG. 1.

FIG. 4 is a front elevational view of the portable speaker system of FIG. 1.

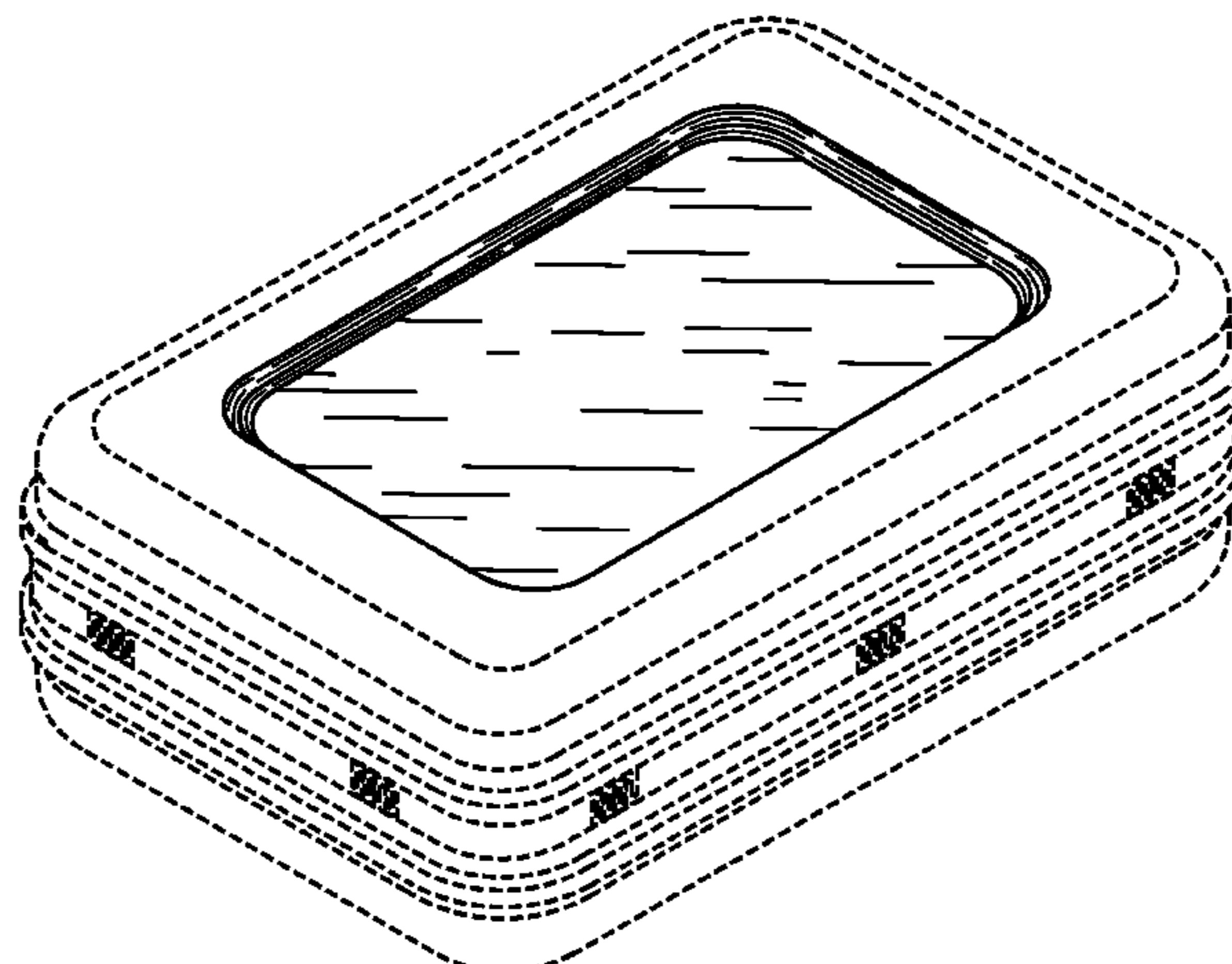
FIG. 5 is a top plan view of the portable speaker system of FIG. 1.

FIG. 6 is a bottom plan view of the portable speaker system of FIG. 1; and,

FIG. 7 a left side elevational view of the portable speaker system of FIG. 1.

The broken lines in the figures are for environmental purpose only and form no part of the claimed design.

1 Claim, 6 Drawing Sheets



US D569,845 S

Page 2

U.S. PATENT DOCUMENTS

D517,364 S	3/2006	Nieves	D540,781 S	4/2007	Patel et al.
D524,798 S	7/2006	Koizumi	D542,776 S	5/2007	Dayan
7,095,867 B2	8/2006	Schul et al.	2002/0088726 A1	7/2002	Chou
D527,722 S	9/2006	Yeh	2006/0078143 A1	4/2006	Yang
D535,287 S	1/2007	Patel	2006/0269091 A1	11/2006	Fan
D537,071 S	2/2007	Chen	2006/0274910 A1	12/2006	Schul et al.
7,184,259 B2	2/2007	Marler et al.	2007/0076911 A1	4/2007	Schul et al.
D538,787 S	3/2007	Tsai			

* cited by examiner

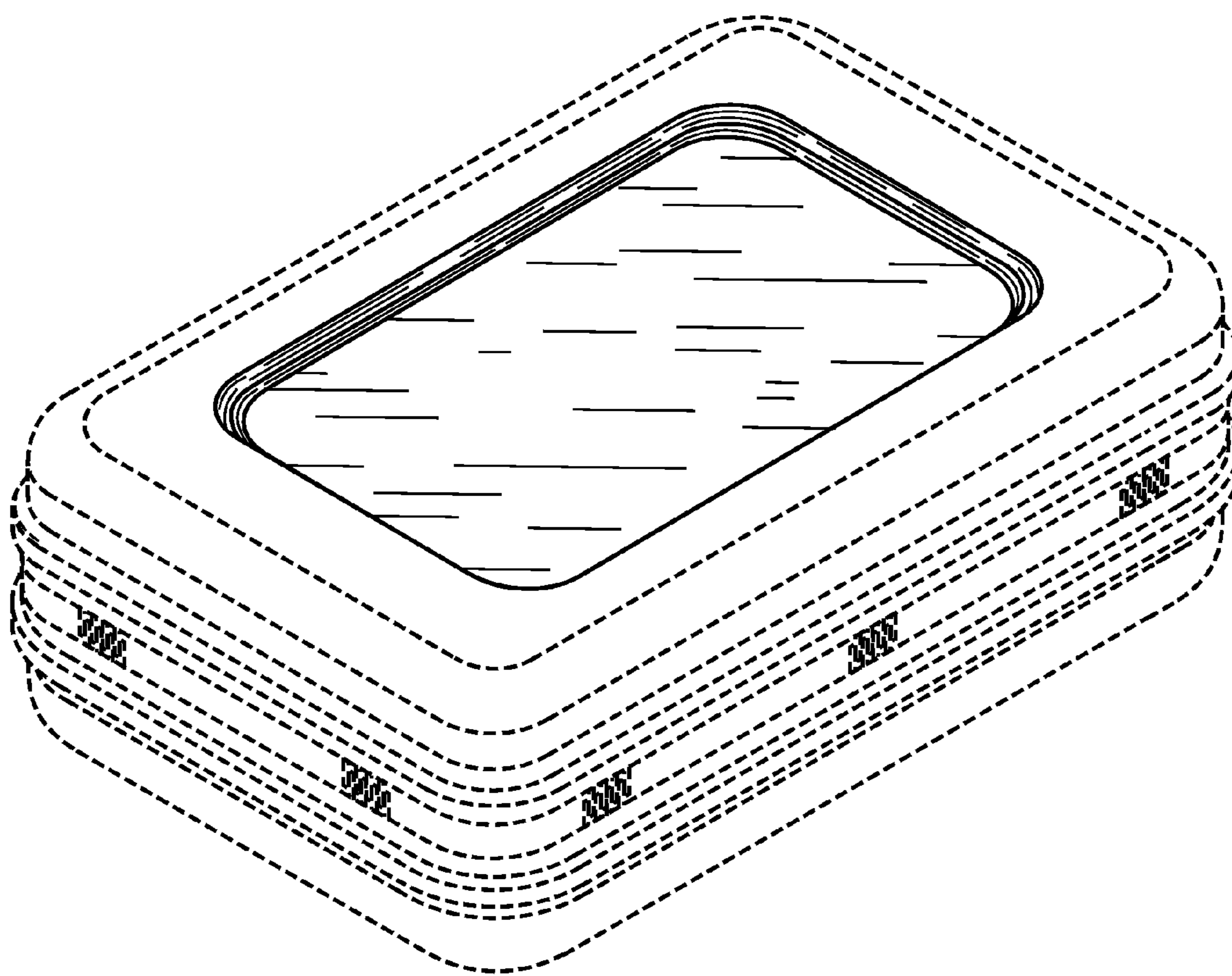


FIG. 1

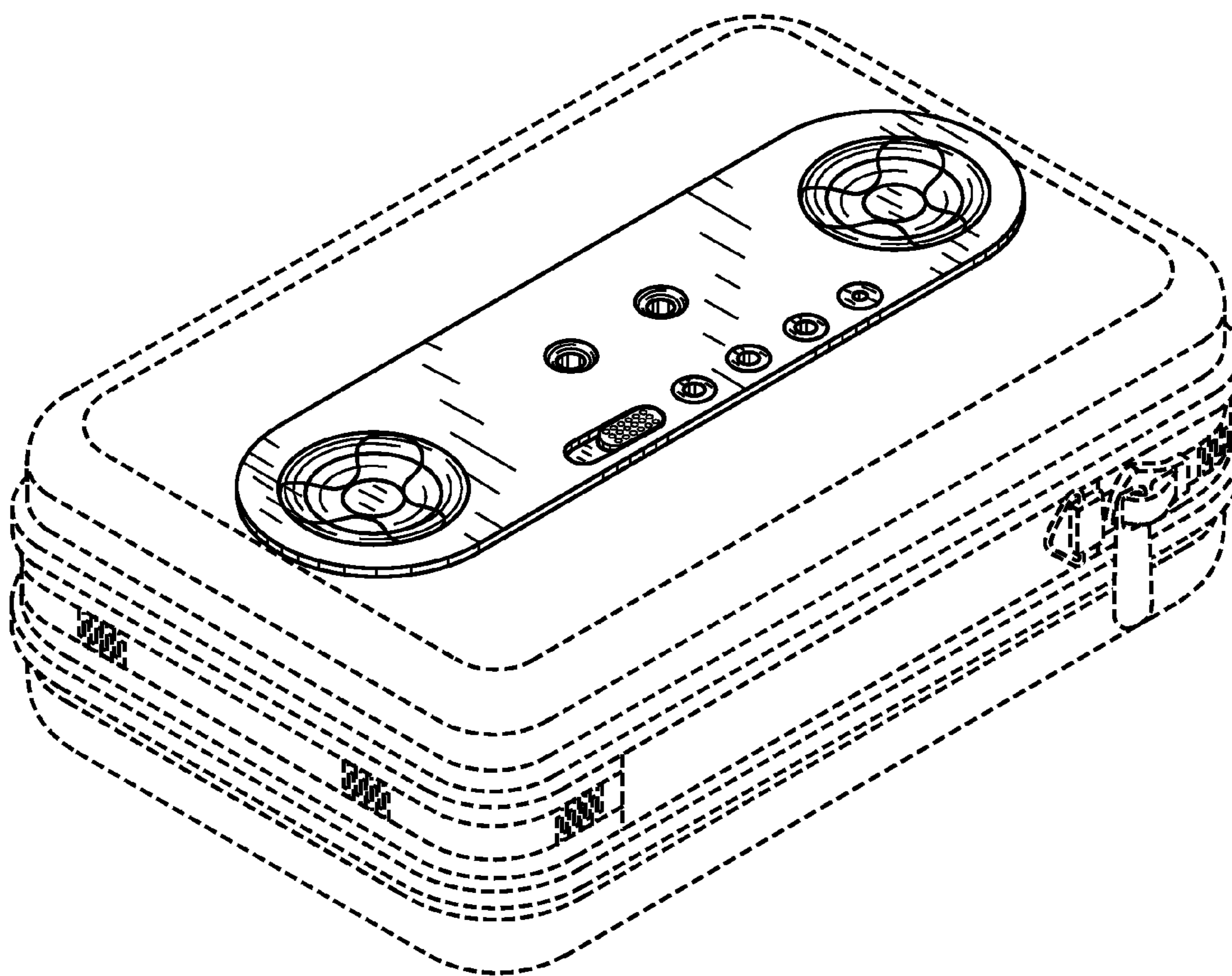


FIG. 2

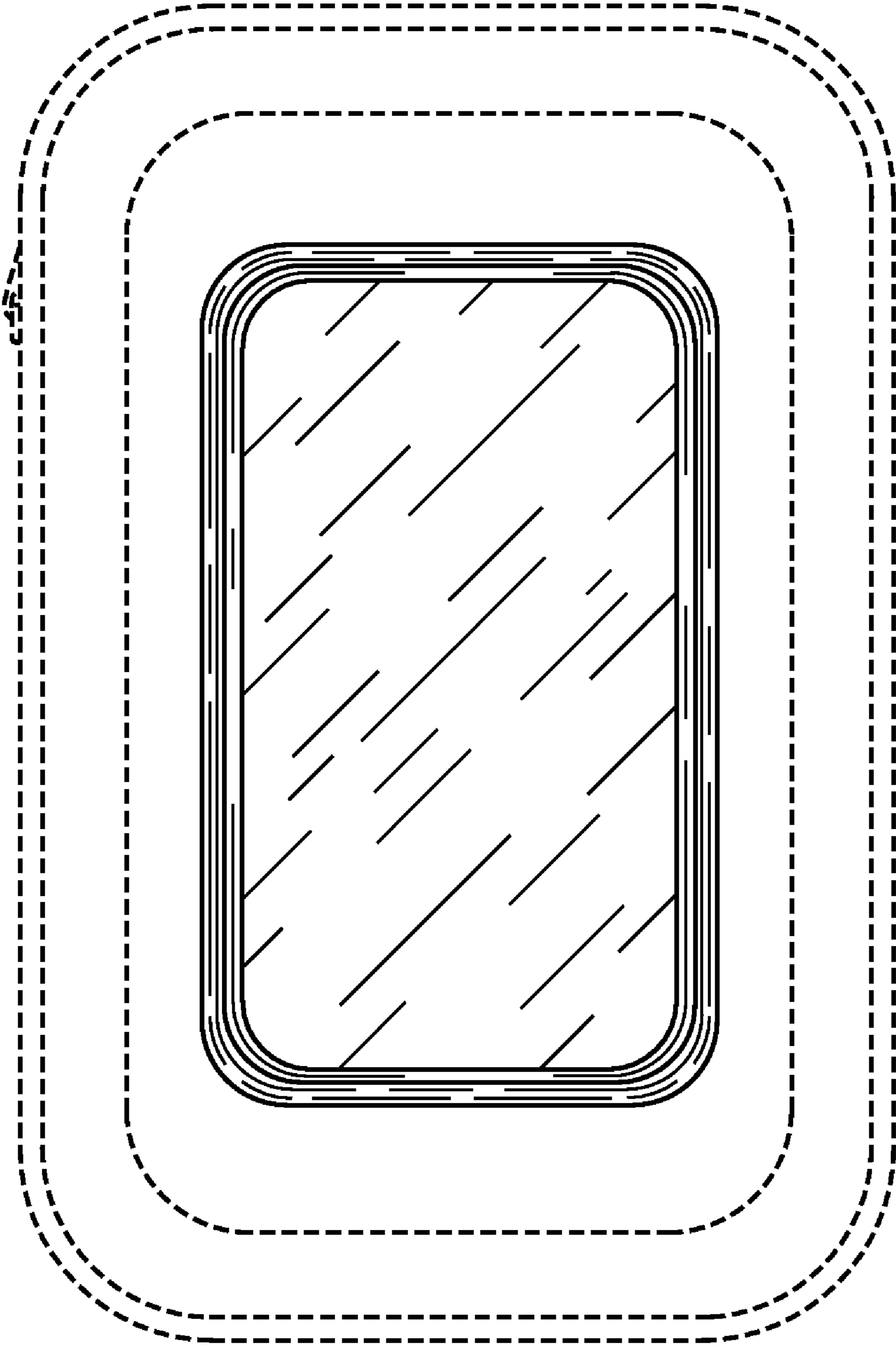


FIG. 3

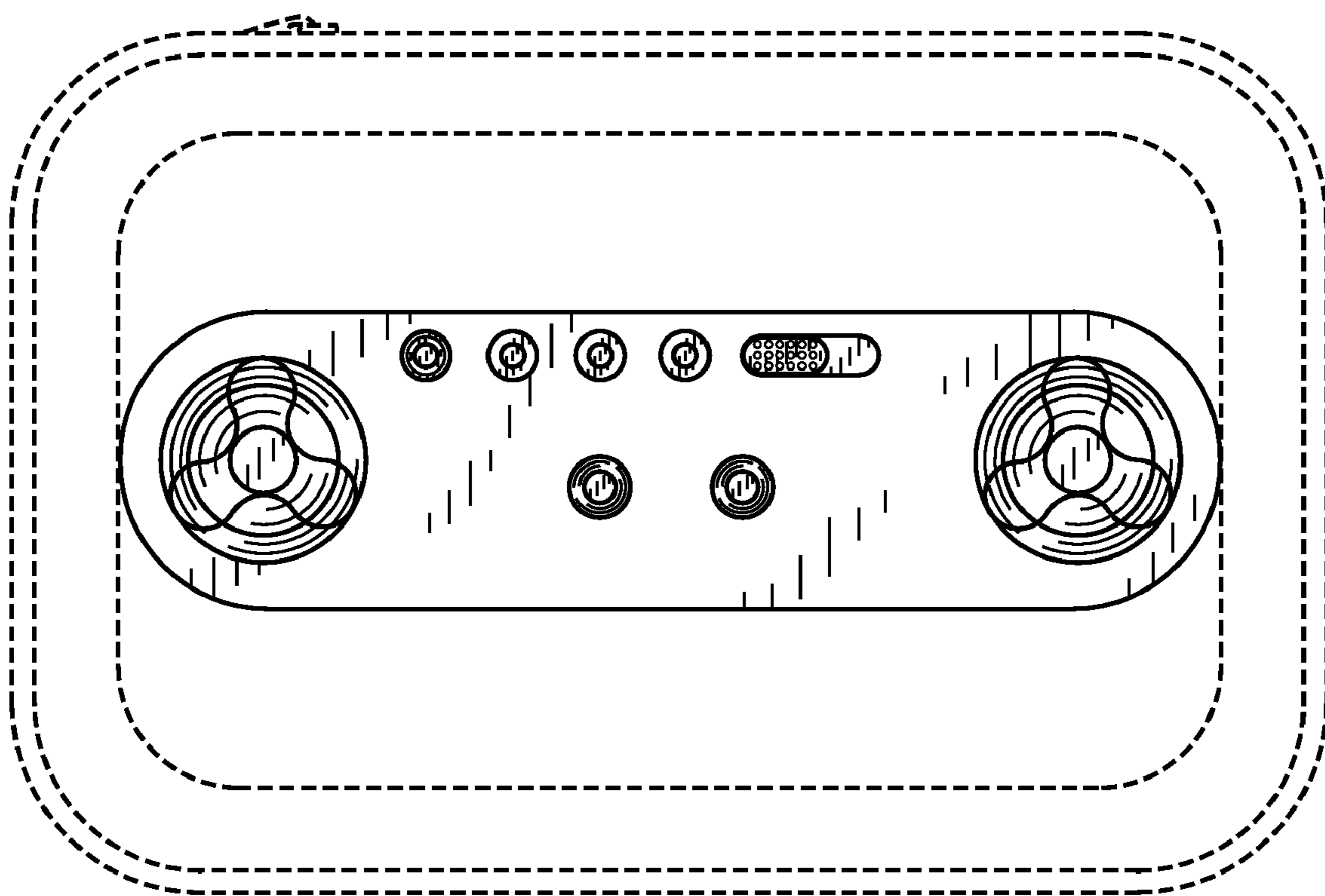


FIG. 4

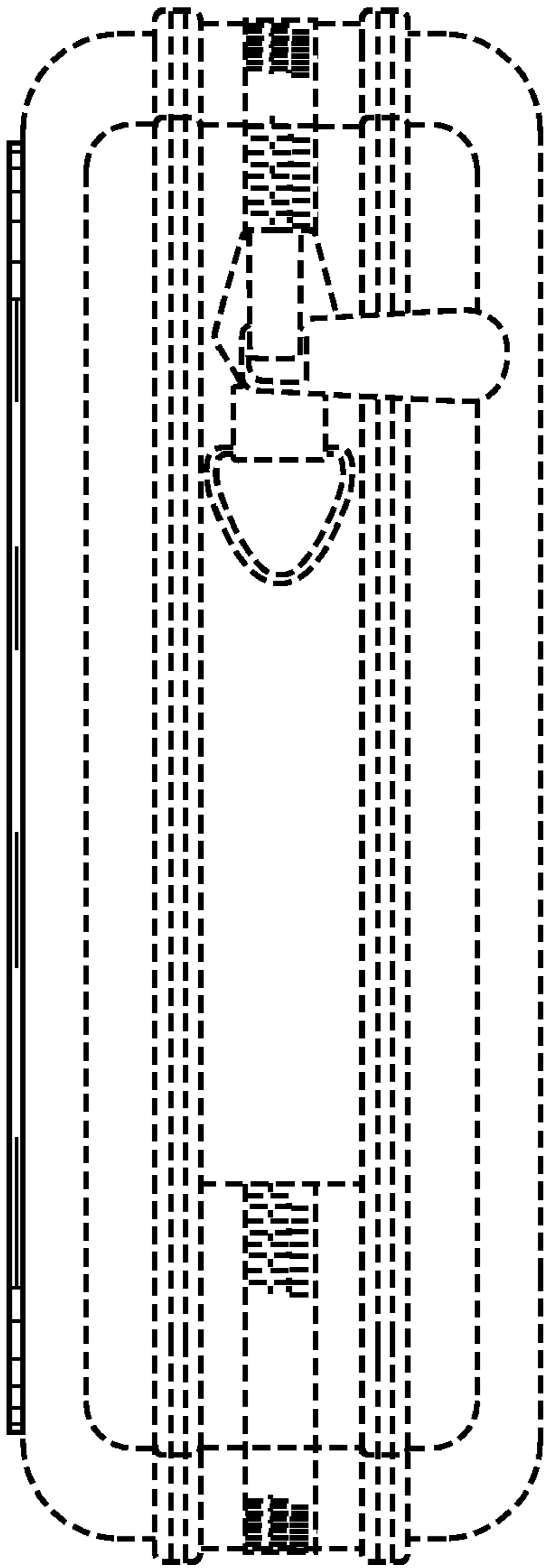


FIG. 5

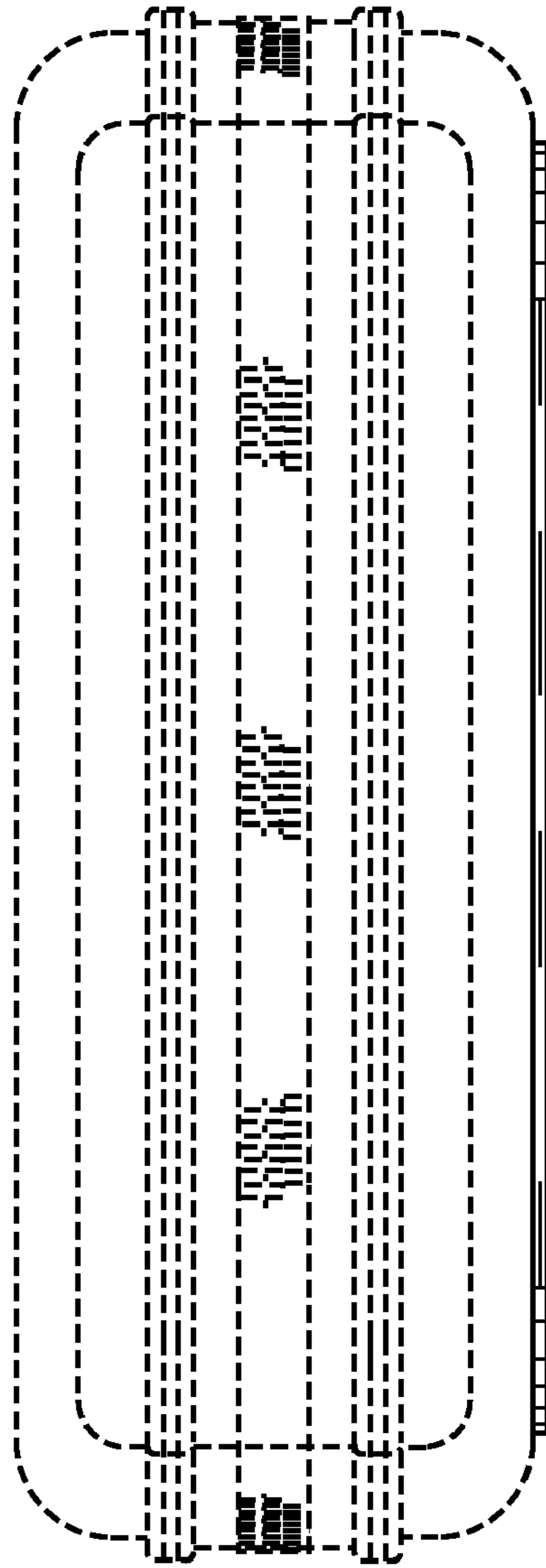


FIG. 6



FIG. 7