

US00D569843S

(12) **United States Design Patent**
Sogabe

(10) **Patent No.:** **US D569,843 S**

(45) **Date of Patent:** **** May 27, 2008**

(54) **SPEAKER BOX**

(75) Inventor: **Takashi Sogabe**, Tokyo (JP)

(73) Assignee: **Sony Corporation**, Tokyo (JP)

(**) Term: **14 Years**

(21) Appl. No.: **29/274,073**

(22) Filed: **Mar. 27, 2007**

(30) **Foreign Application Priority Data**

Sep. 29, 2006 (JP) D2006-026330

(51) **LOC (8) Cl.** **14-01**

(52) **U.S. Cl.** **D14/214**

(58) **Field of Classification Search** D14/204,
D14/210-214; 181/143-144, 147-148, 150-153,
181/157, 198-199; 381/300-303, 306, 332-333,
381/336, 345, 361-364, 386-388

See application file for complete search history.

(56) **References Cited**

U.S. PATENT DOCUMENTS

D397,116 S	8/1998	Tatsumi	
6,035,962 A *	3/2000	Lin	181/199
D450,051 S *	11/2001	Roh	D14/215
D470,127 S *	2/2003	Inoue et al.	D14/214
D476,309 S *	6/2003	Narita	D14/211
D476,311 S	6/2003	Hisatsune	
D483,739 S *	12/2003	Olson et al.	D14/214
D534,157 S *	12/2006	Yokoyama	D14/211

* cited by examiner

Primary Examiner—Nanda Bondade

(74) *Attorney, Agent, or Firm*—Rader, Fishman & Grauer, PLLC

(57) **CLAIM**

The ornamental design for a speaker box, as shown and described.

DESCRIPTION

FIG. 1 is a perspective view of an embodiment of a speaker box showing my new design;

FIG. 2 is a front elevational view thereof;

FIG. 3 is a rear elevational view thereof;

FIG. 4 is a left side elevational view thereof;

FIG. 5 is a right side elevational view thereof;

FIG. 6 is a top plan view thereof;

FIG. 7 is a bottom plan view thereof;

FIG. 8 is a front elevational view of another embodiment of a speaker box showing my new design;

FIG. 9 is a rear elevational view thereof;

FIG. 10 is a left side elevational view thereof;

FIG. 11 is a right side elevational view thereof;

FIG. 12 is a top plan view thereof; and,

FIG. 13 is a bottom plan view thereof.

Portions of FIGS. 1-13 that are shown as broken lines are for illustrative purpose only and form no part of the claimed design.

1 Claim, 13 Drawing Sheets

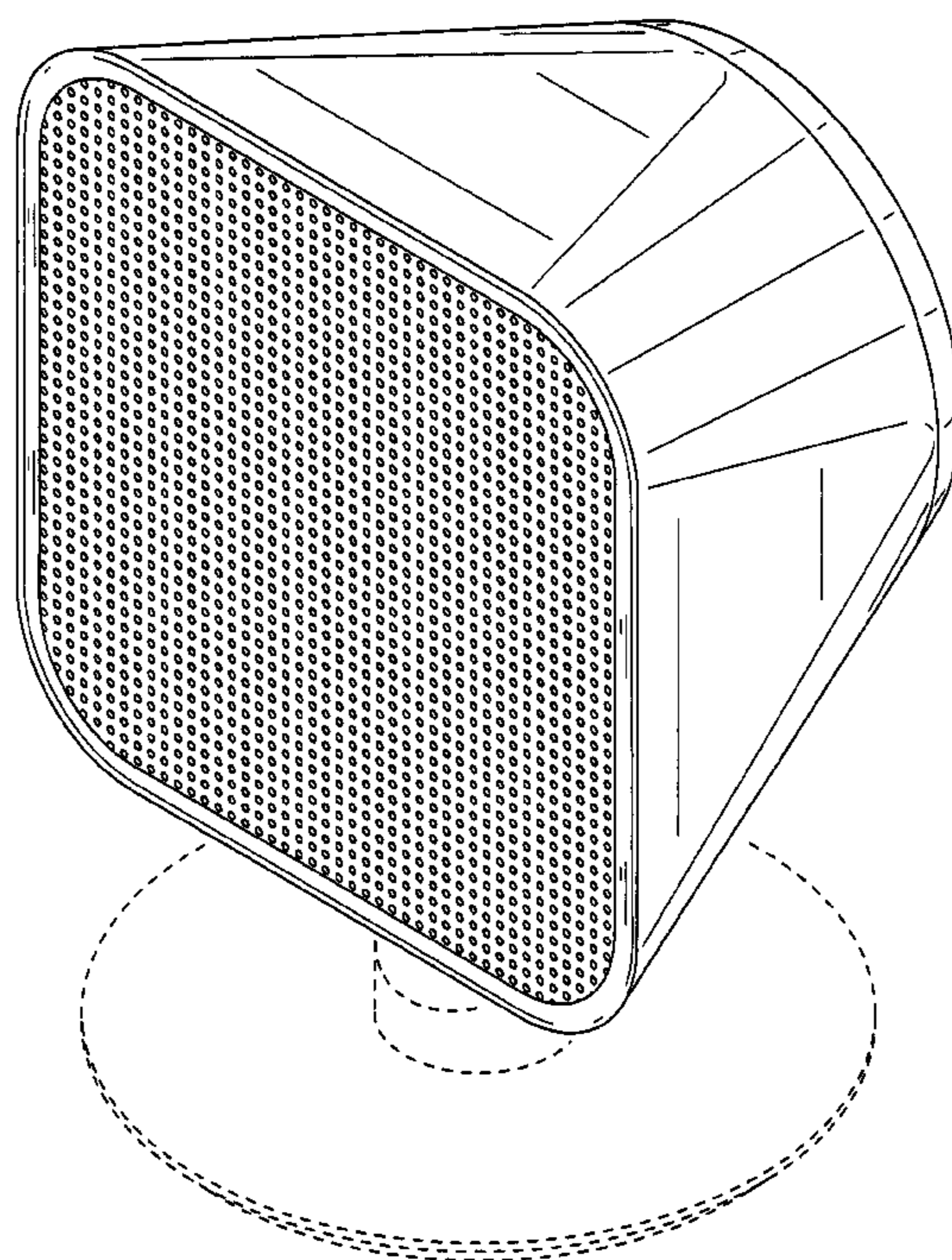


Fig.1

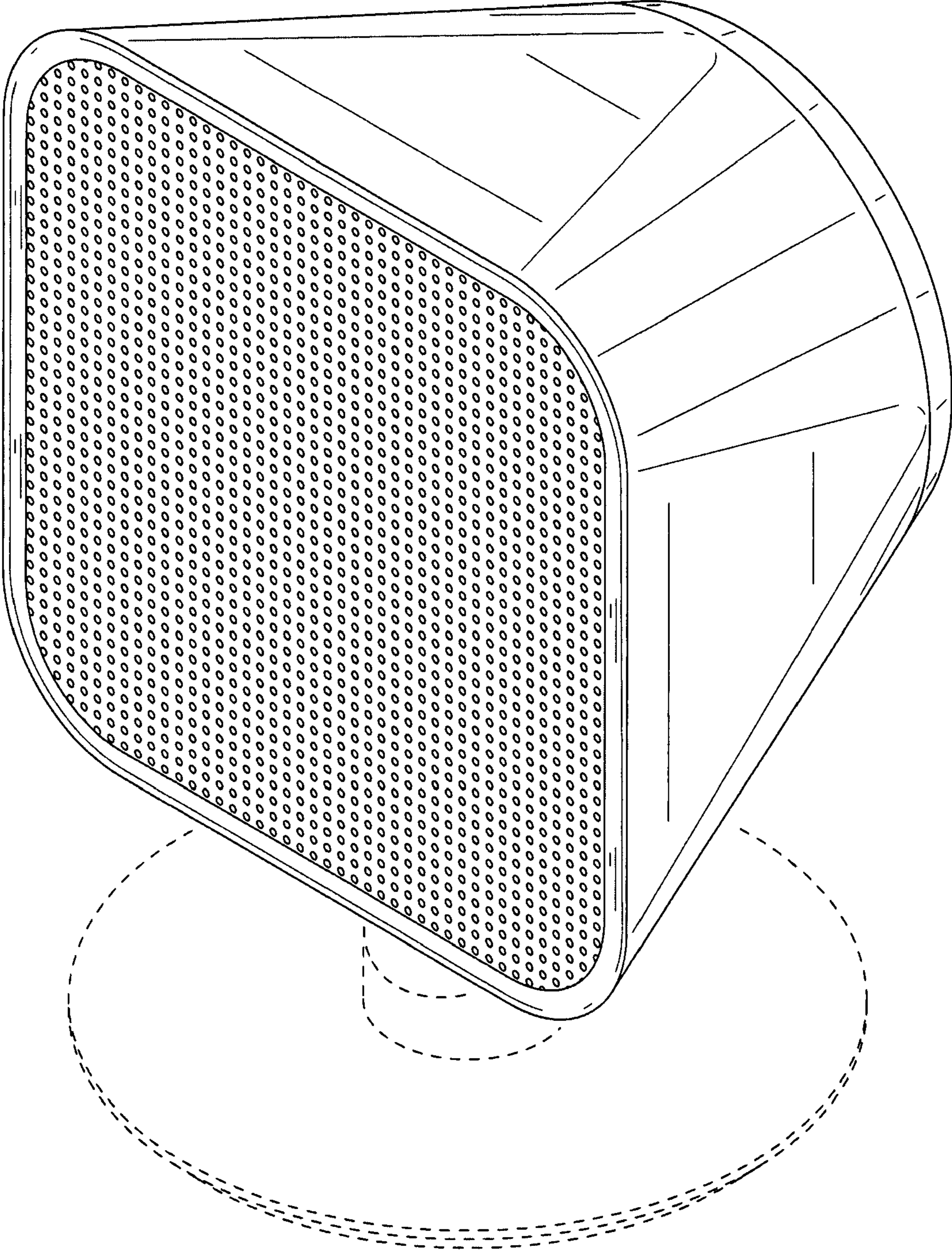


Fig.2

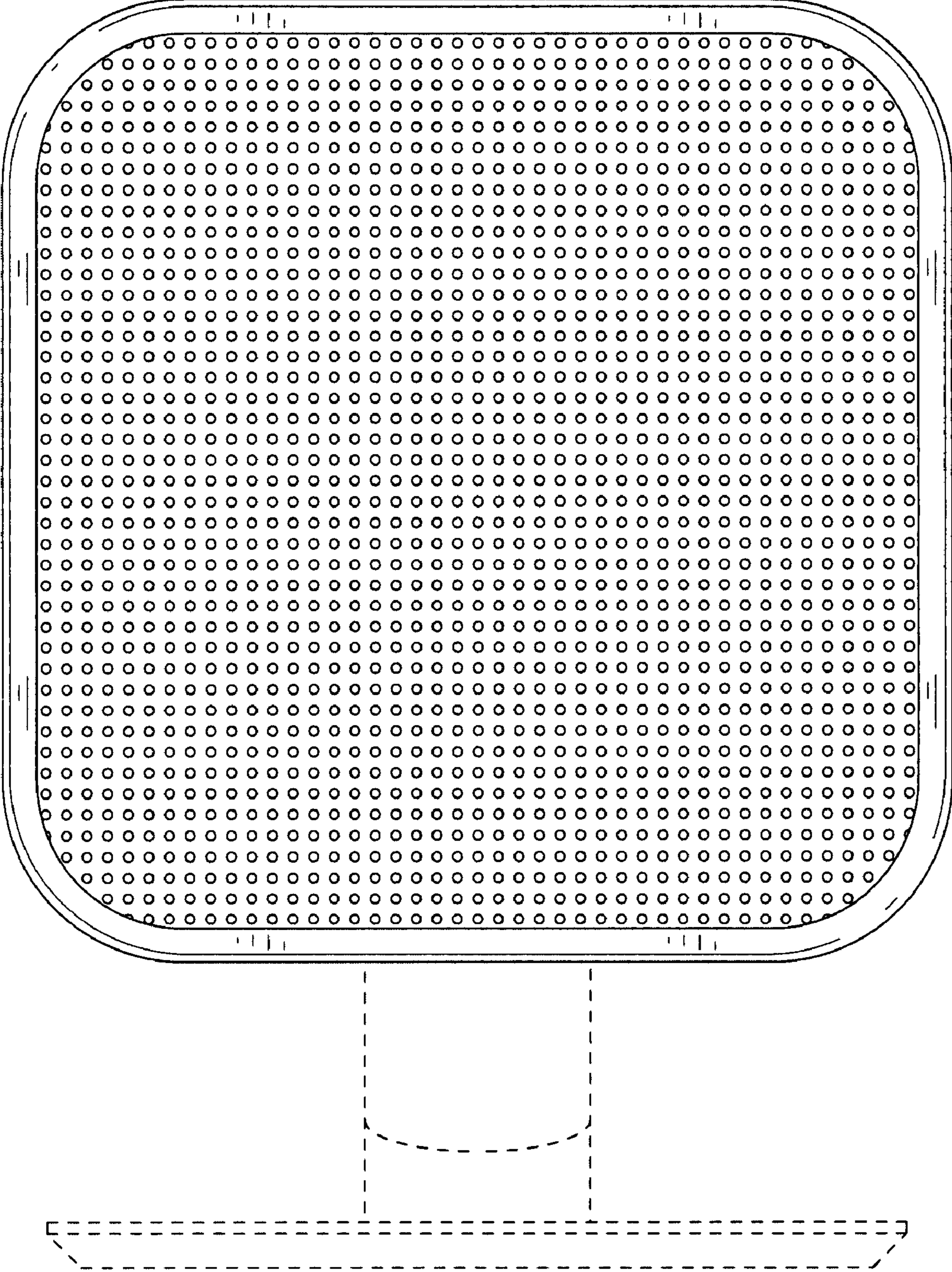


Fig.3

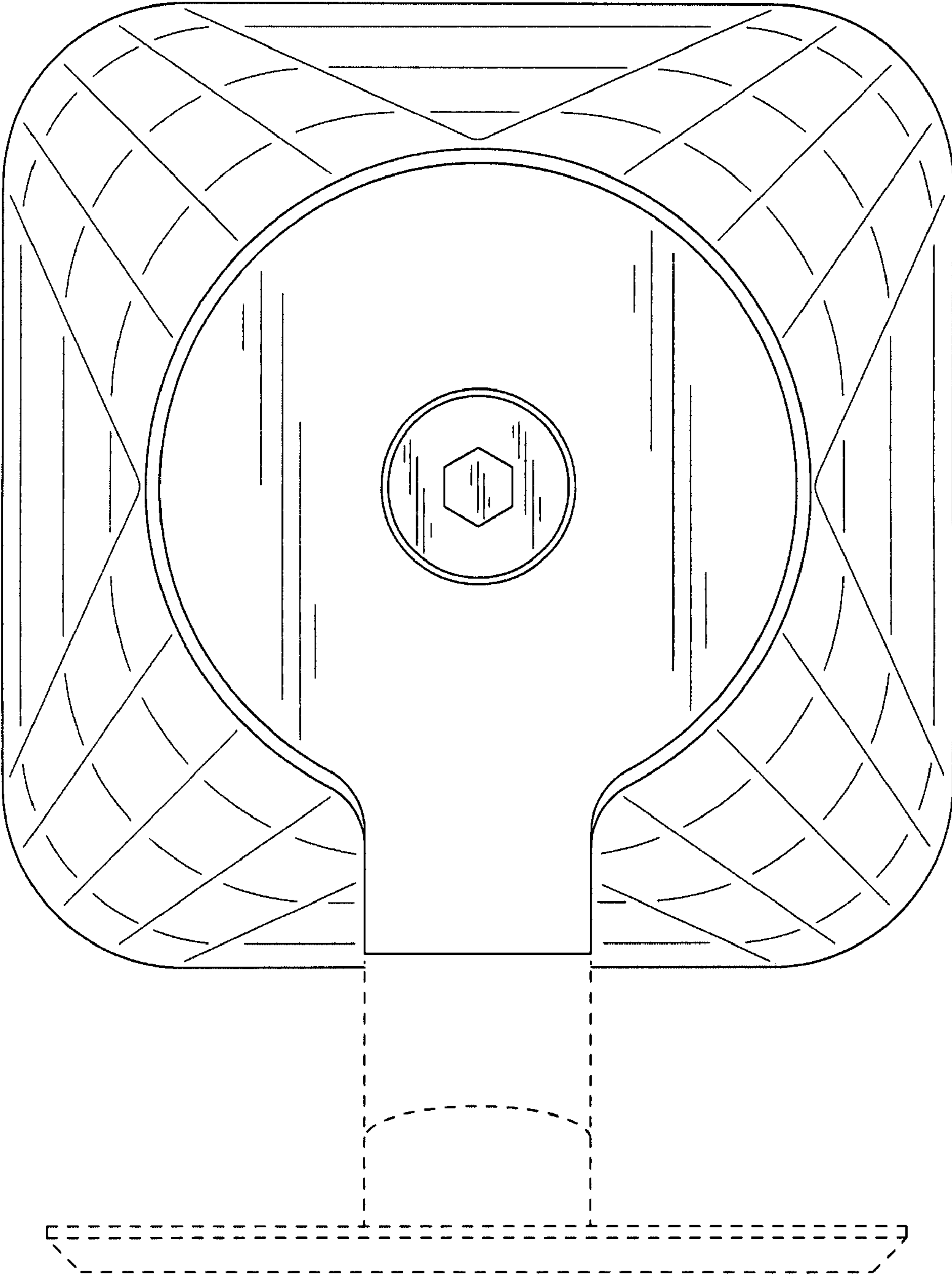


Fig.4

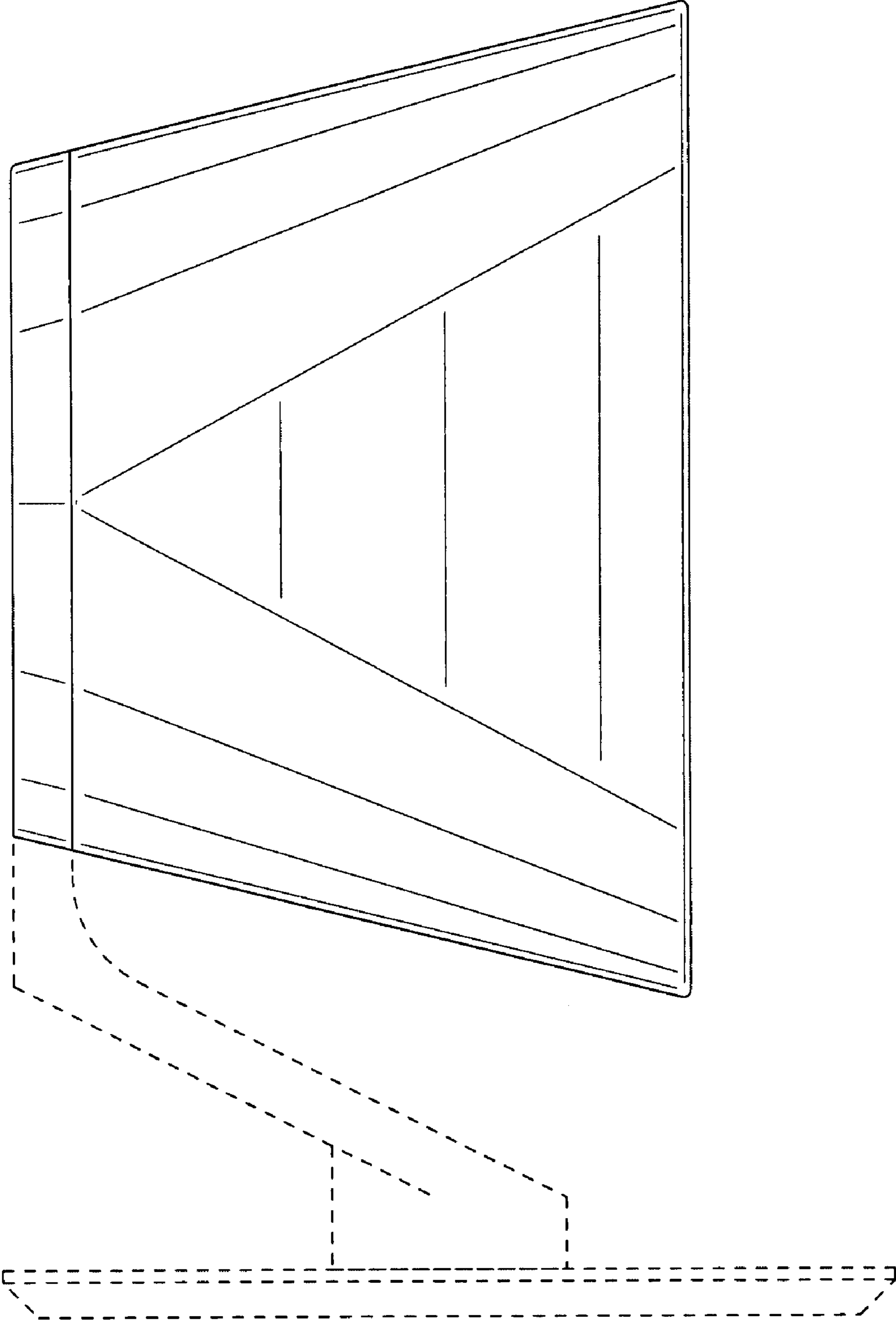


Fig.5

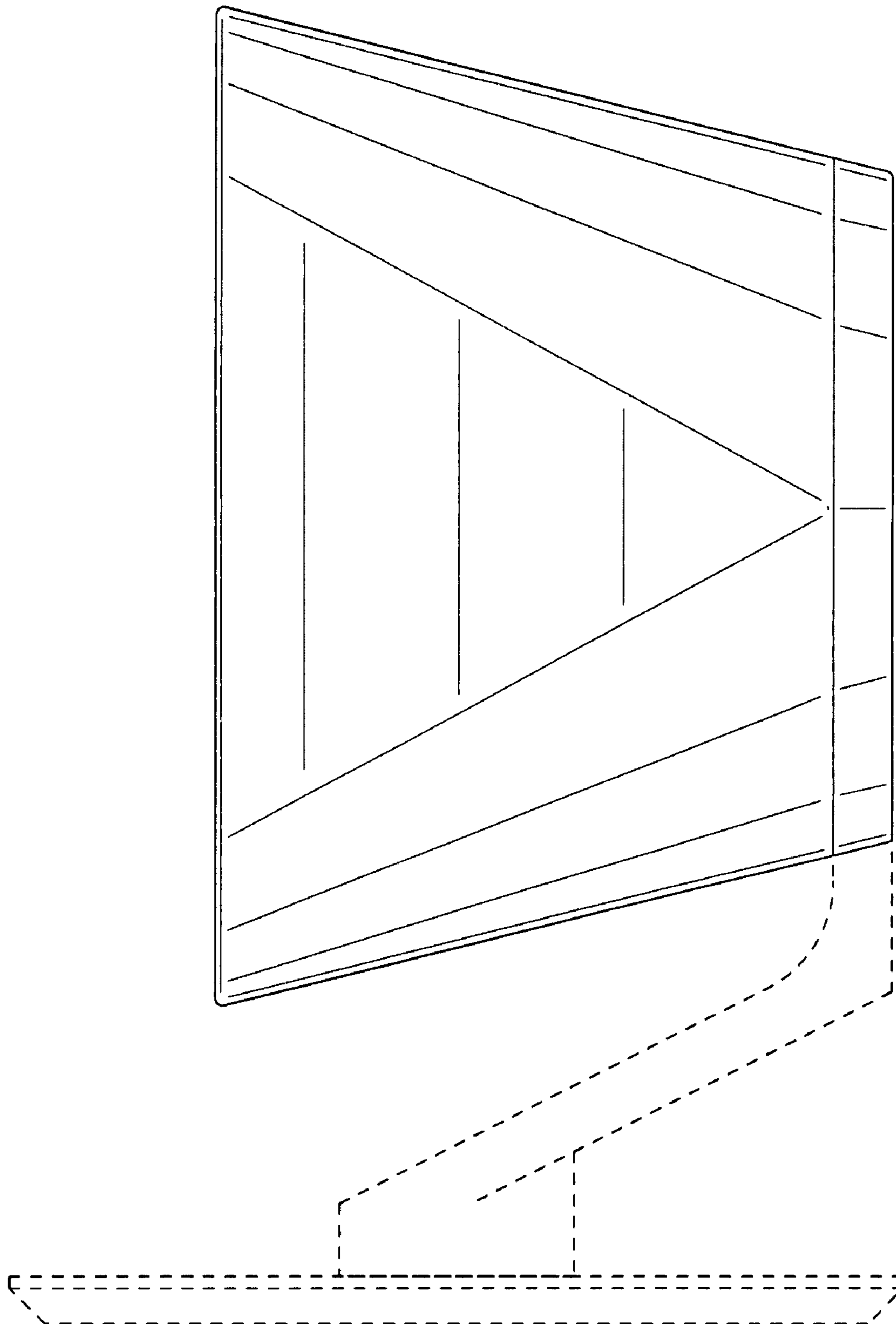


Fig.6

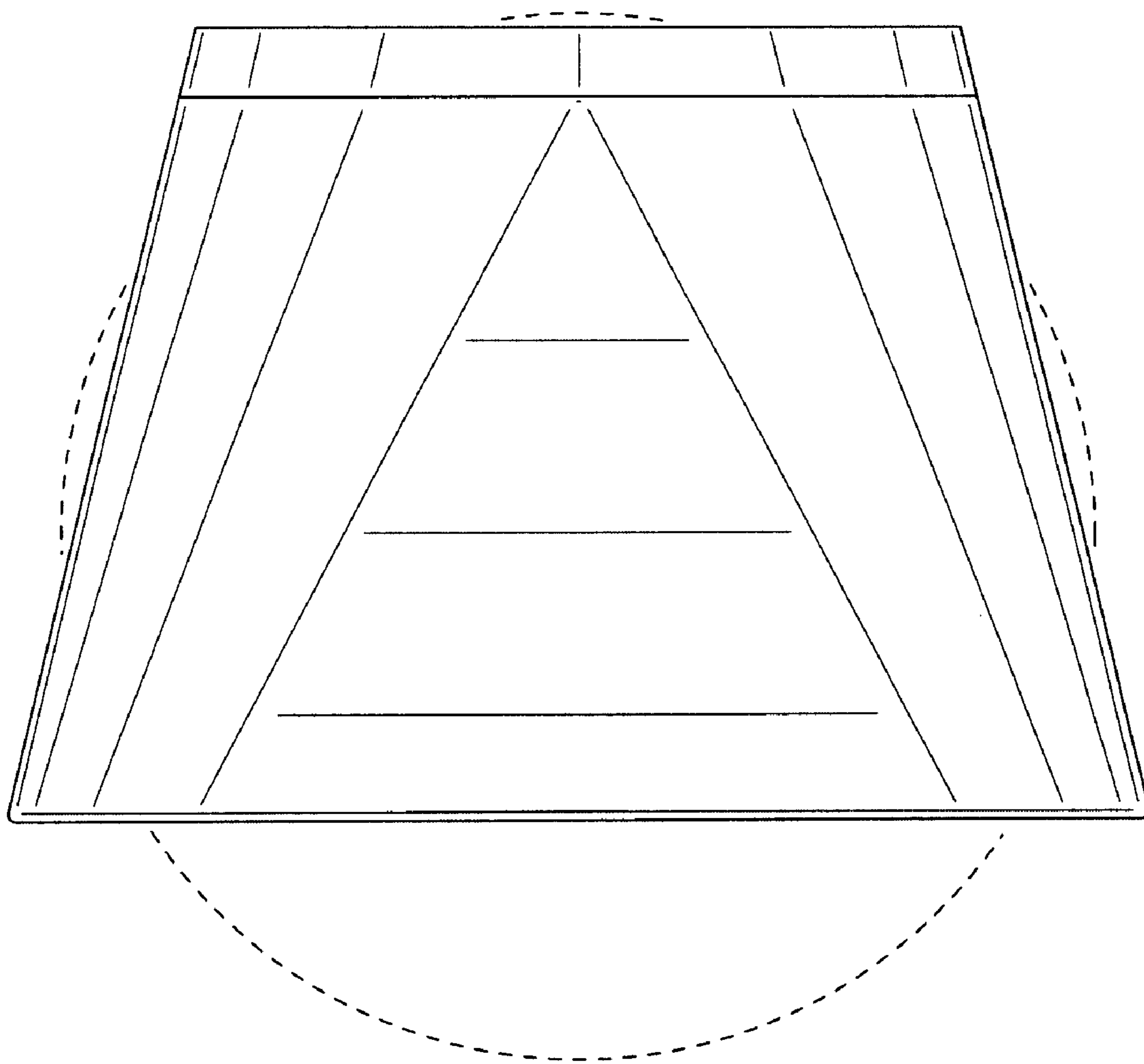


Fig.7

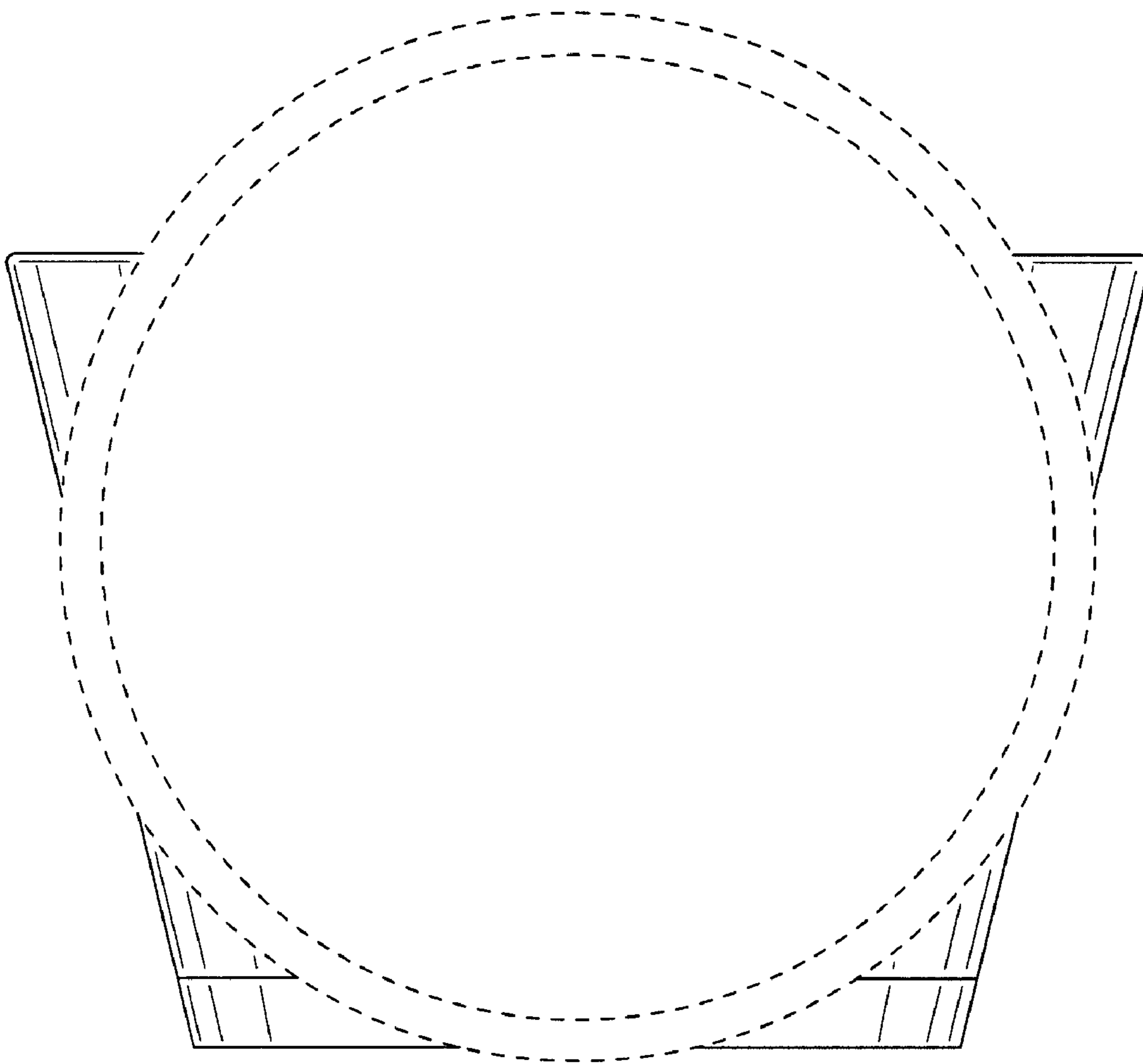


Fig.8

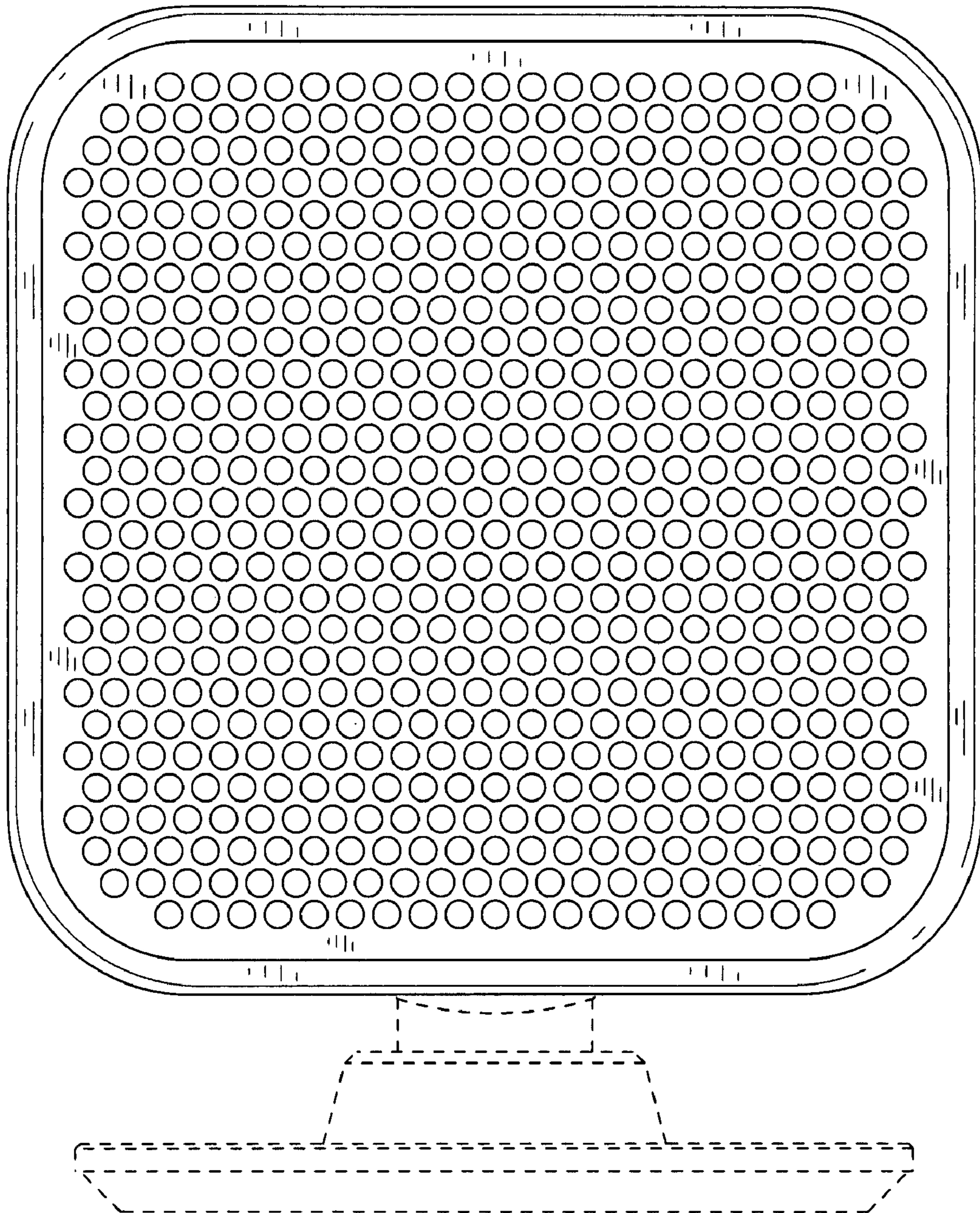


Fig.9

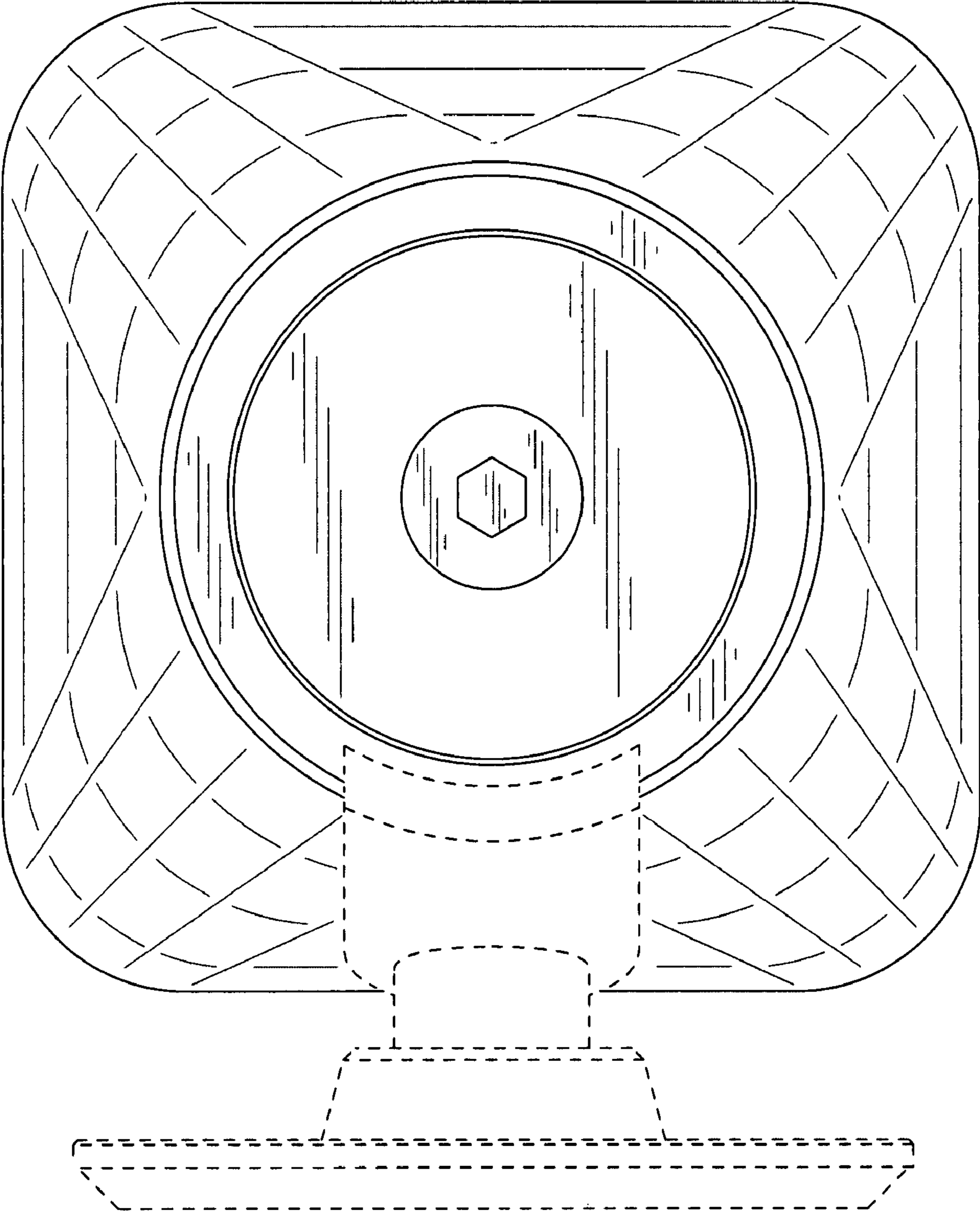


Fig.10

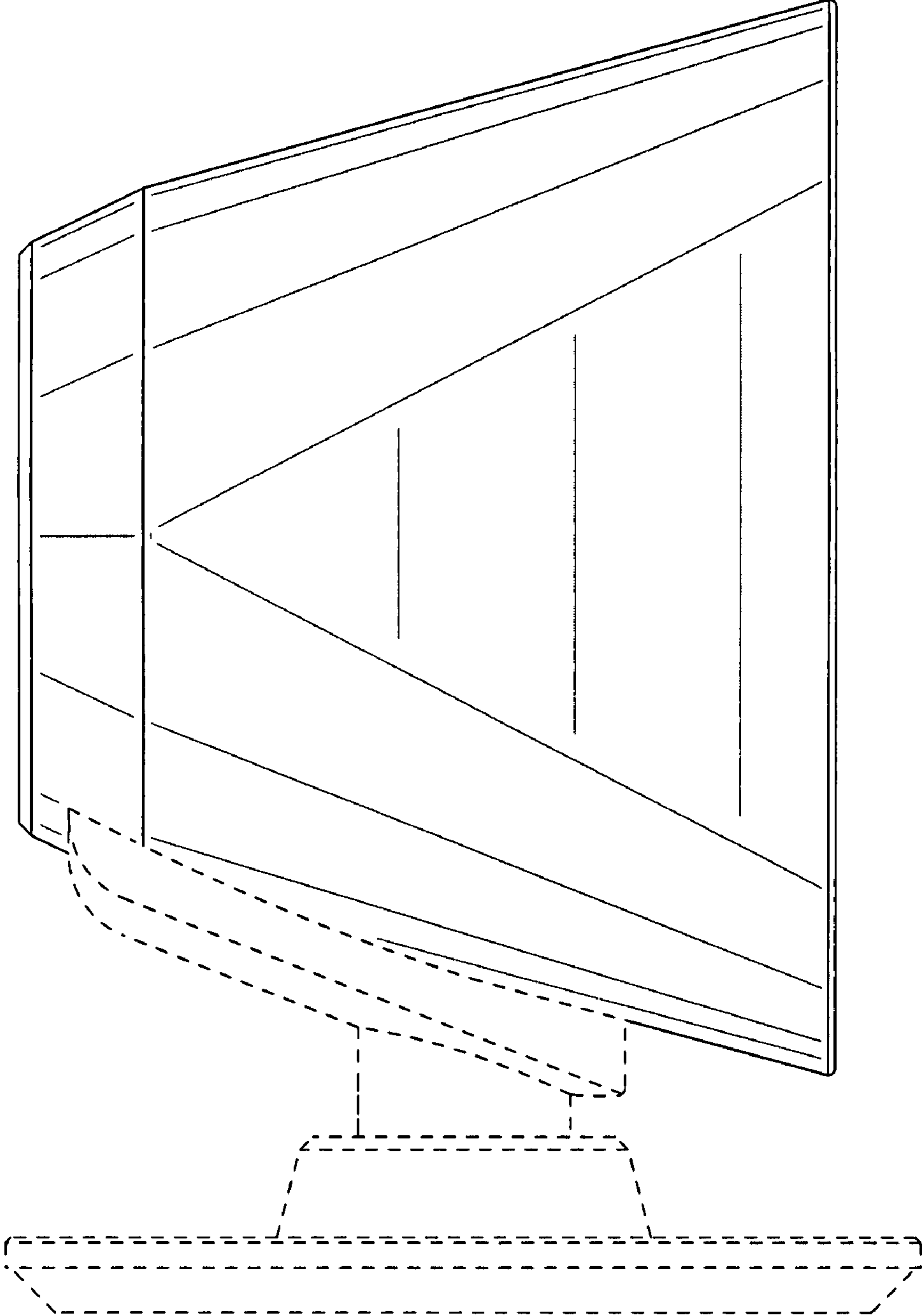


Fig. 11

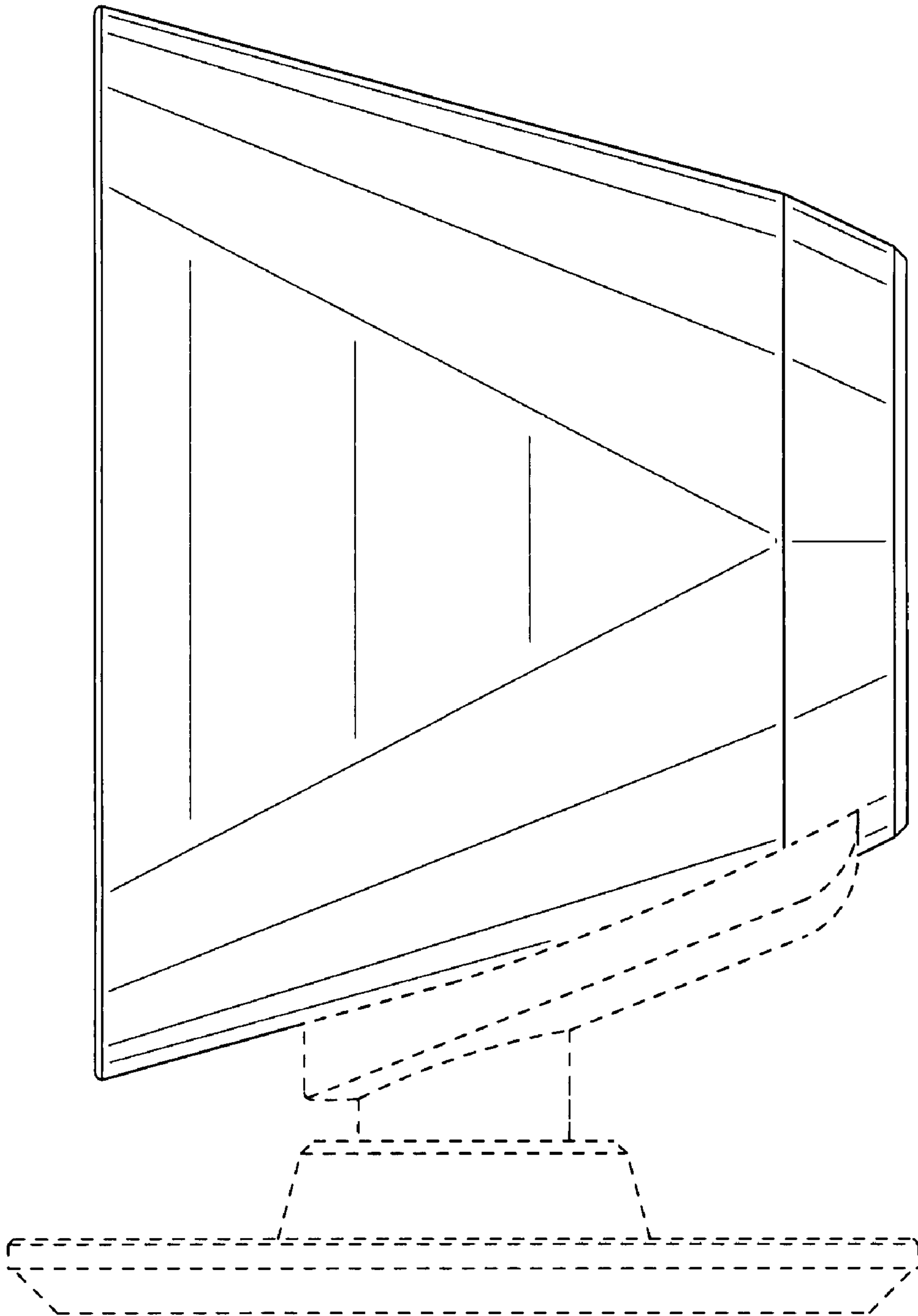


Fig.12

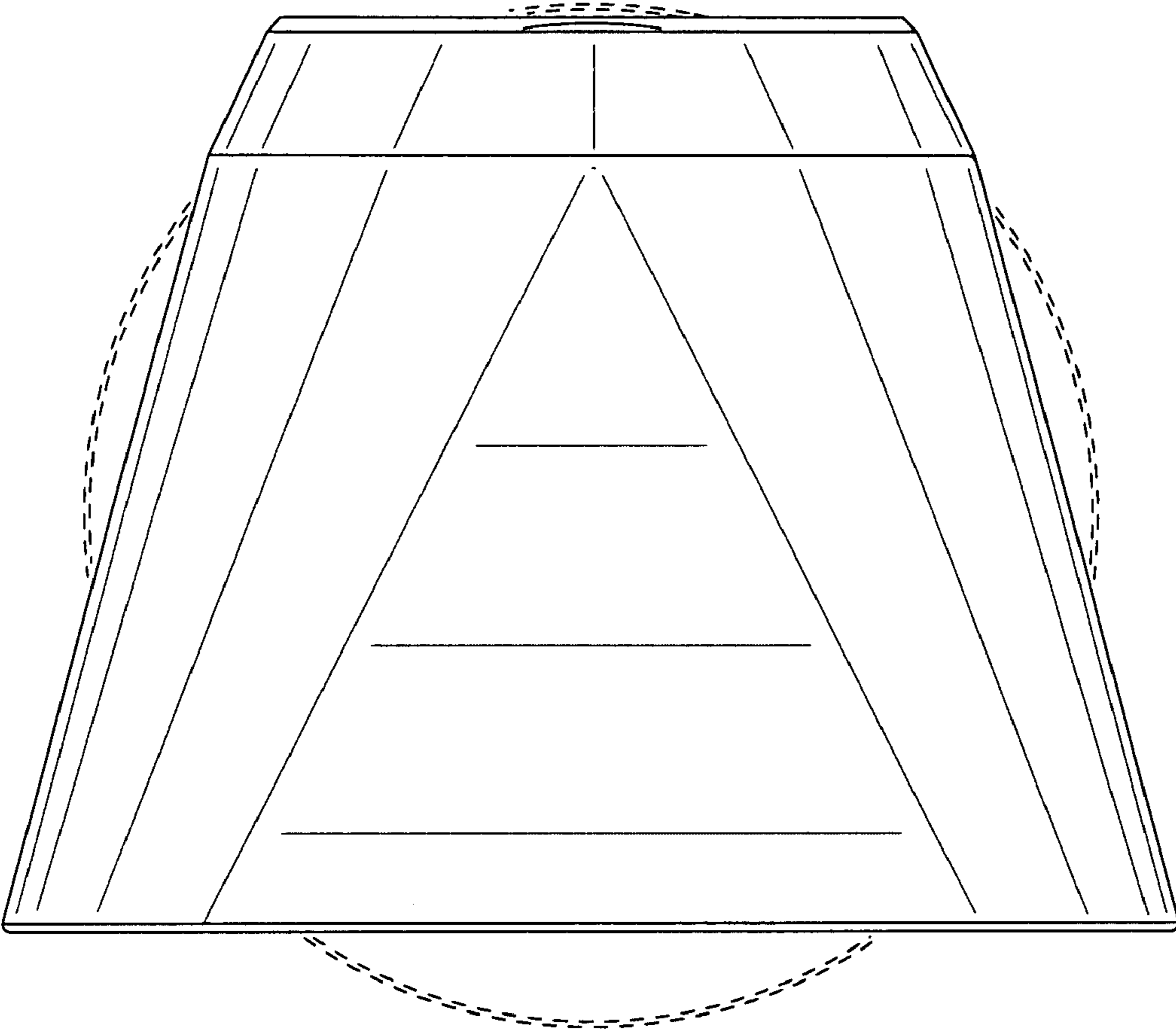


Fig.13

