



US00D569840S

(12) **United States Design Patent**
Tejima

(10) **Patent No.:** **US D569,840 S**

(45) **Date of Patent:** **** May 27, 2008**

(54) **AMPLIFIER**

D531,151 S 10/2006 Yoshida
D531,590 S 11/2006 Maeyama

(75) Inventor: **Keisuke Tejima**, Tokyo (JP)

FOREIGN PATENT DOCUMENTS

(73) Assignee: **Sony Corporation**, Tokyo (JP)

CN 3550873 S 8/2005
JP D1120307 S 9/2001
JP D1183527 S 9/2003
JP D1200280 S 3/2004

(**) Term: **14 Years**

(21) Appl. No.: **29/270,577**

* cited by examiner

(22) Filed: **Dec. 28, 2006**

Primary Examiner—Nanda Bondade

(30) **Foreign Application Priority Data**

(74) *Attorney, Agent, or Firm*—Rader, Fishman & Grauer, PLLC

Sep. 8, 2006 (JP) D2006-024055

(51) **LOC (8) Cl.** **14-01**

(57) **CLAIM**

(52) **U.S. Cl.** **D14/188**; D14/168

The ornamental design for an amplifier, as shown.

(58) **Field of Classification Search** D14/135–136,
D14/156–157, 167–168, 198, 188, 217, 257,
D14/258, 445; 360/99.02, 99.07; 369/75.11,
369/75.21, 77.21, 77.11; 720/612, 619, 647,
720/655; 455/344, 347–351

DESCRIPTION

See application file for complete search history.

FIG. 1 is a perspective view of an amplifier showing my new design;

FIG. 2 is a front elevational view thereof;

FIG. 3 is a rear elevational view thereof;

FIG. 4 is a left side elevational view thereof;

FIG. 5 is a right side elevational view thereof;

FIG. 6 is a top plan view thereof; and,

FIG. 7 is a bottom plan view thereof; and,

FIG. 8 is a reference perspective view thereof.

FIG. 8 is for illustrative purposes only and forms no part of the claimed design.

(56) **References Cited**

U.S. PATENT DOCUMENTS

D444,138 S * 6/2001 Ito et al. D14/188
D466,876 S * 12/2002 Usami et al. D14/136
D479,519 S * 9/2003 Hisatsune D14/168
D483,728 S * 12/2003 Kim D14/136
D484,473 S * 12/2003 Johansson et al. D14/136
D494,150 S * 8/2004 Wu D14/136
D502,696 S 3/2005 Ishibashi
D509,811 S * 9/2005 Usami et al. D14/136
D530,689 S 10/2006 Ishibashi

1 Claim, 8 Drawing Sheets

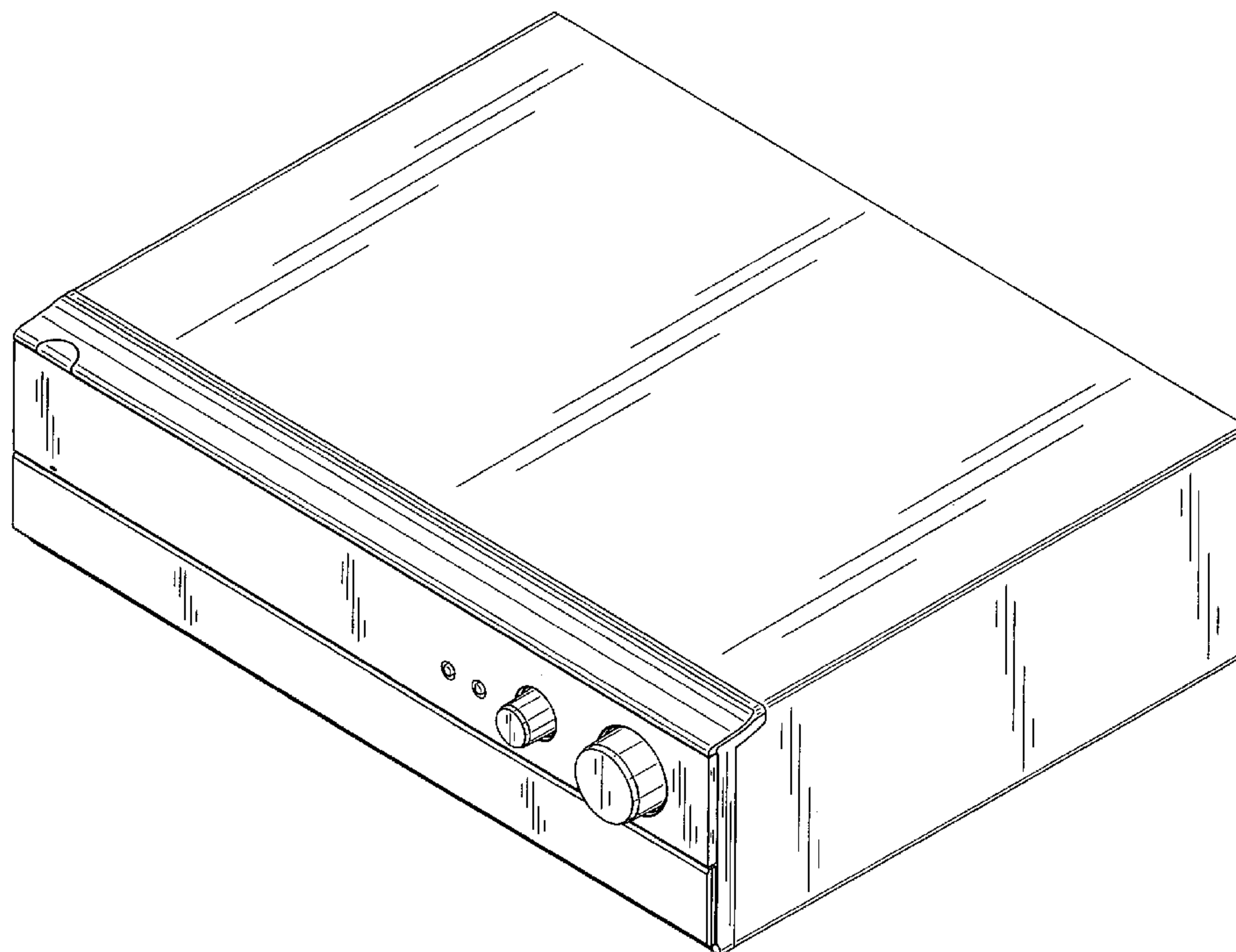


Fig. 1

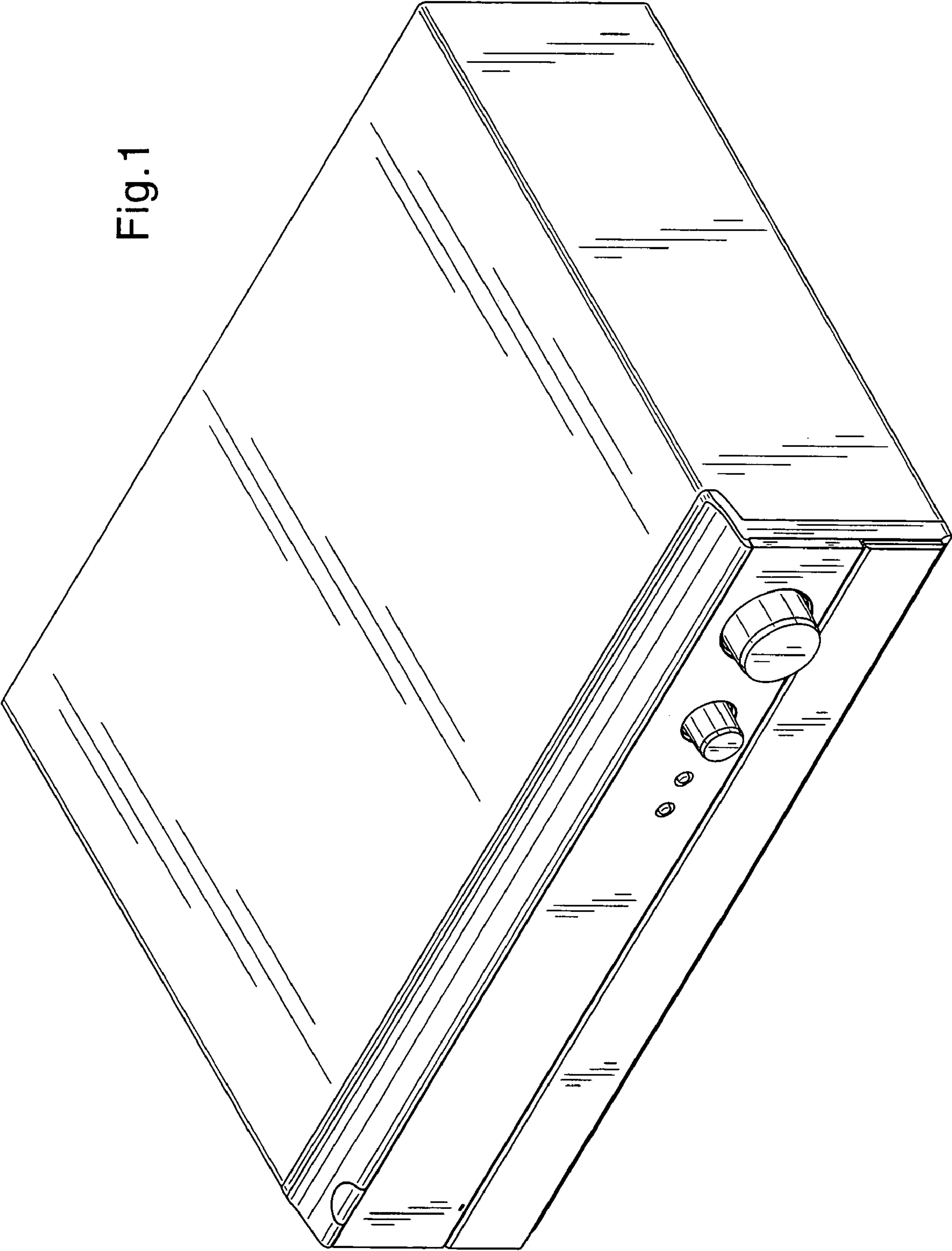


Fig.2

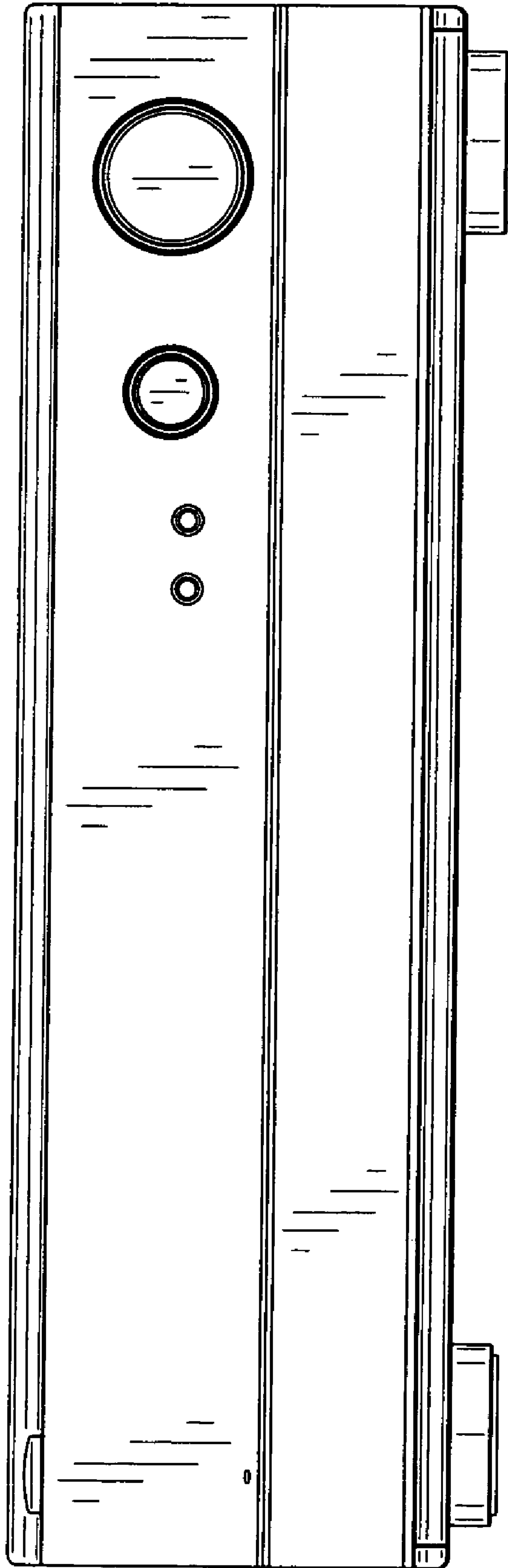


Fig.3

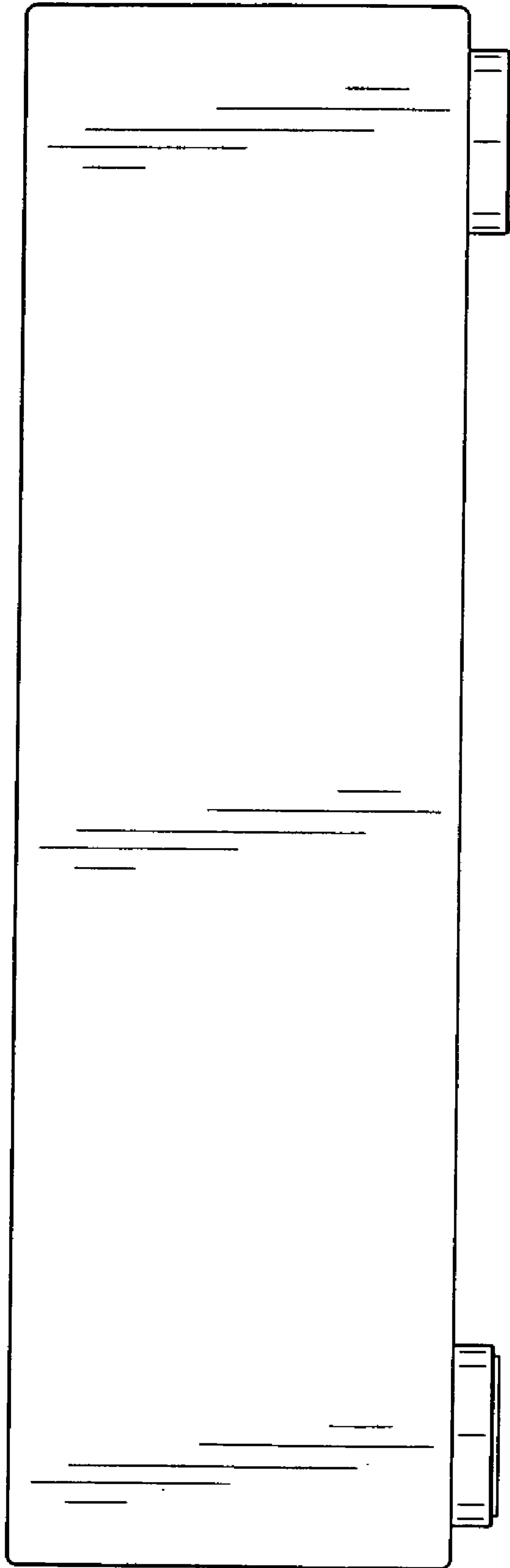


Fig. 4

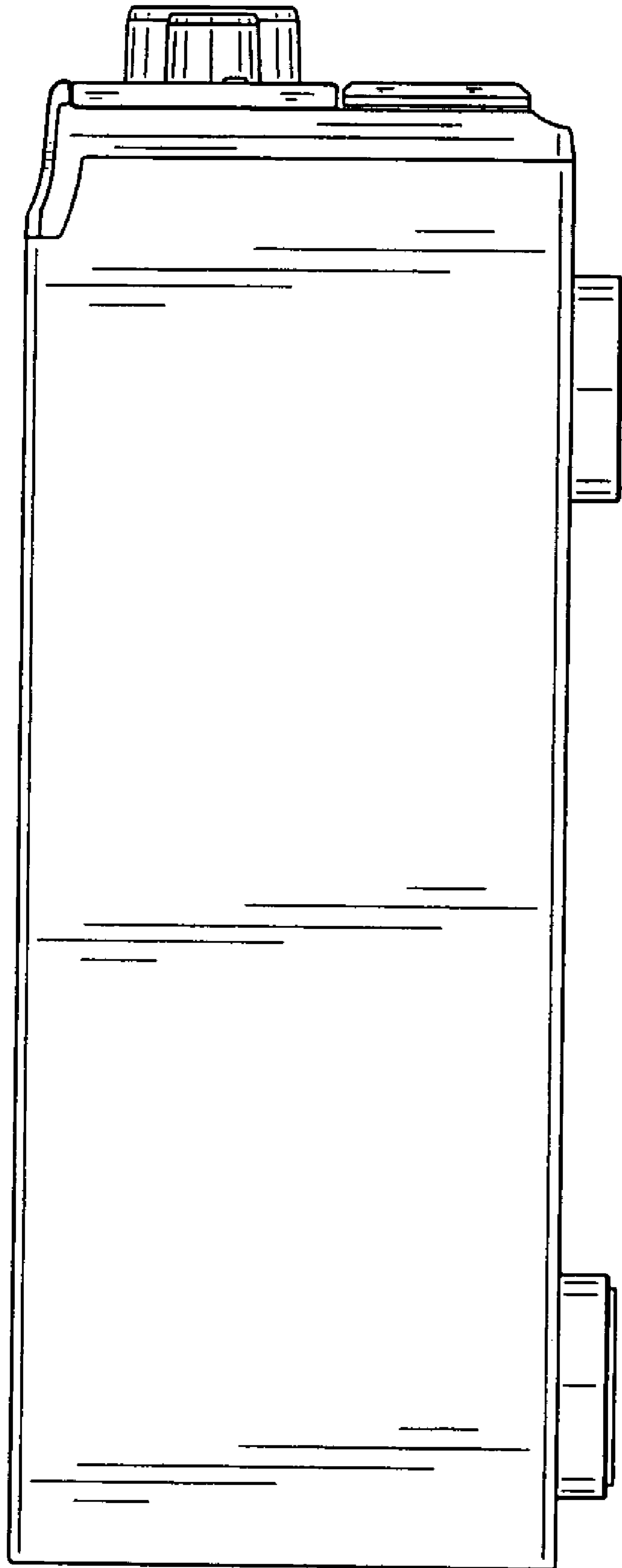


Fig. 5

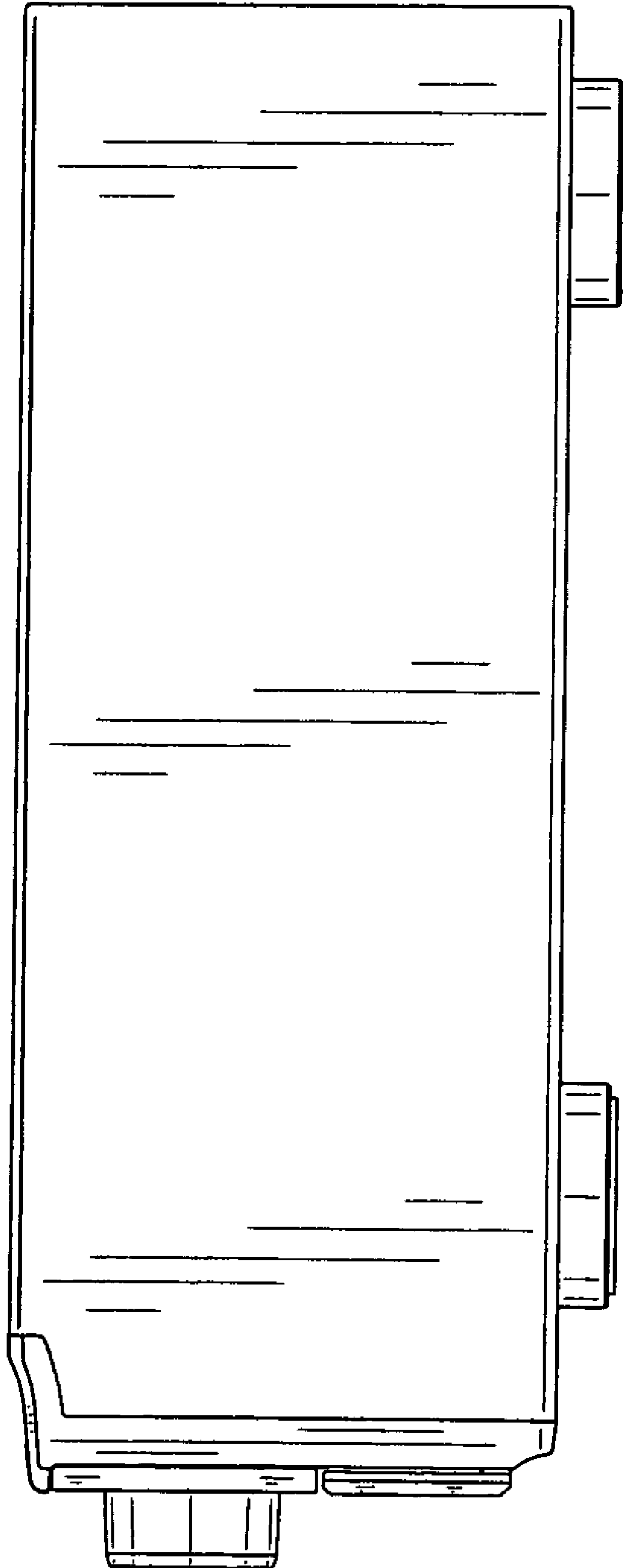


Fig.6

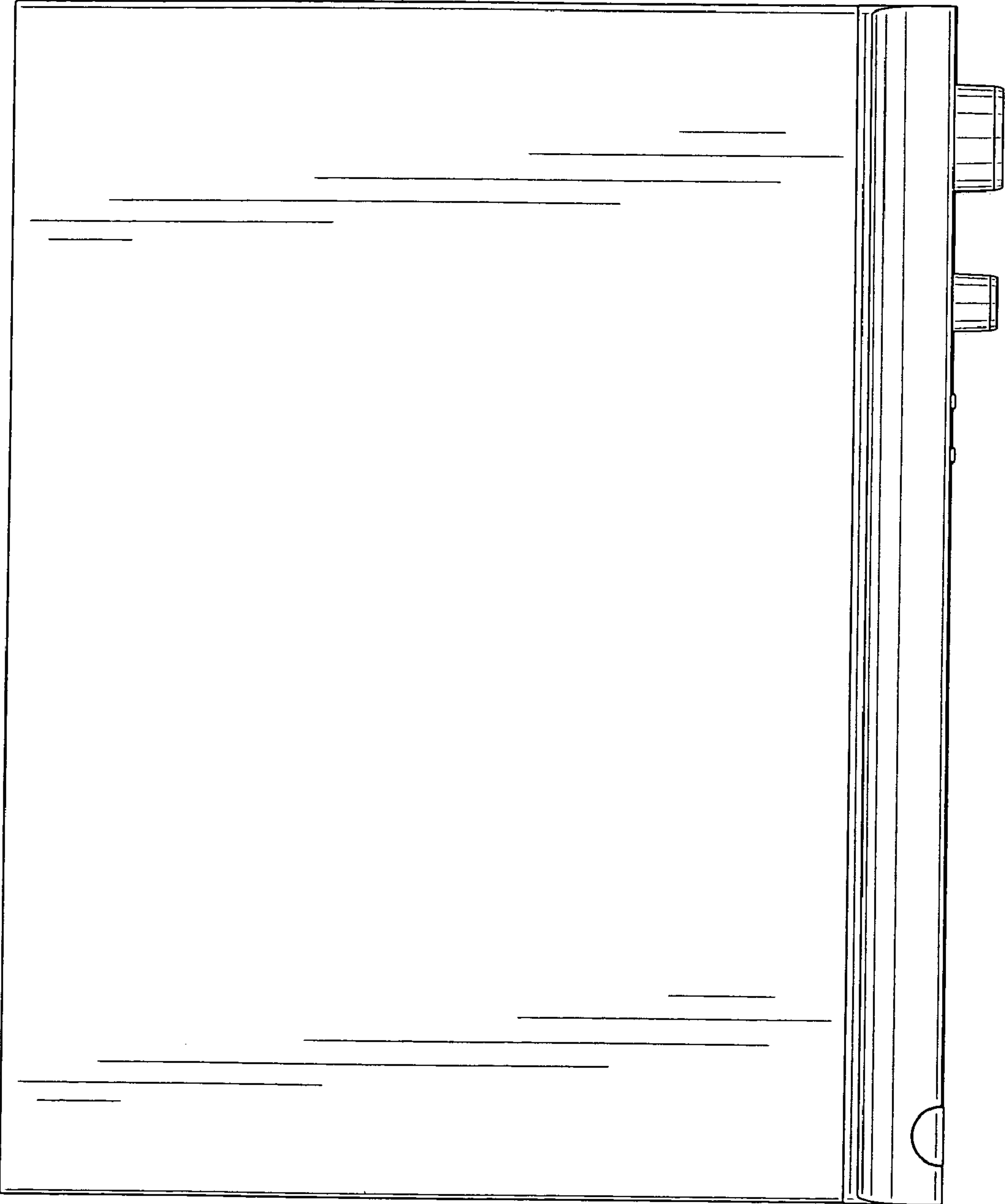


Fig.7

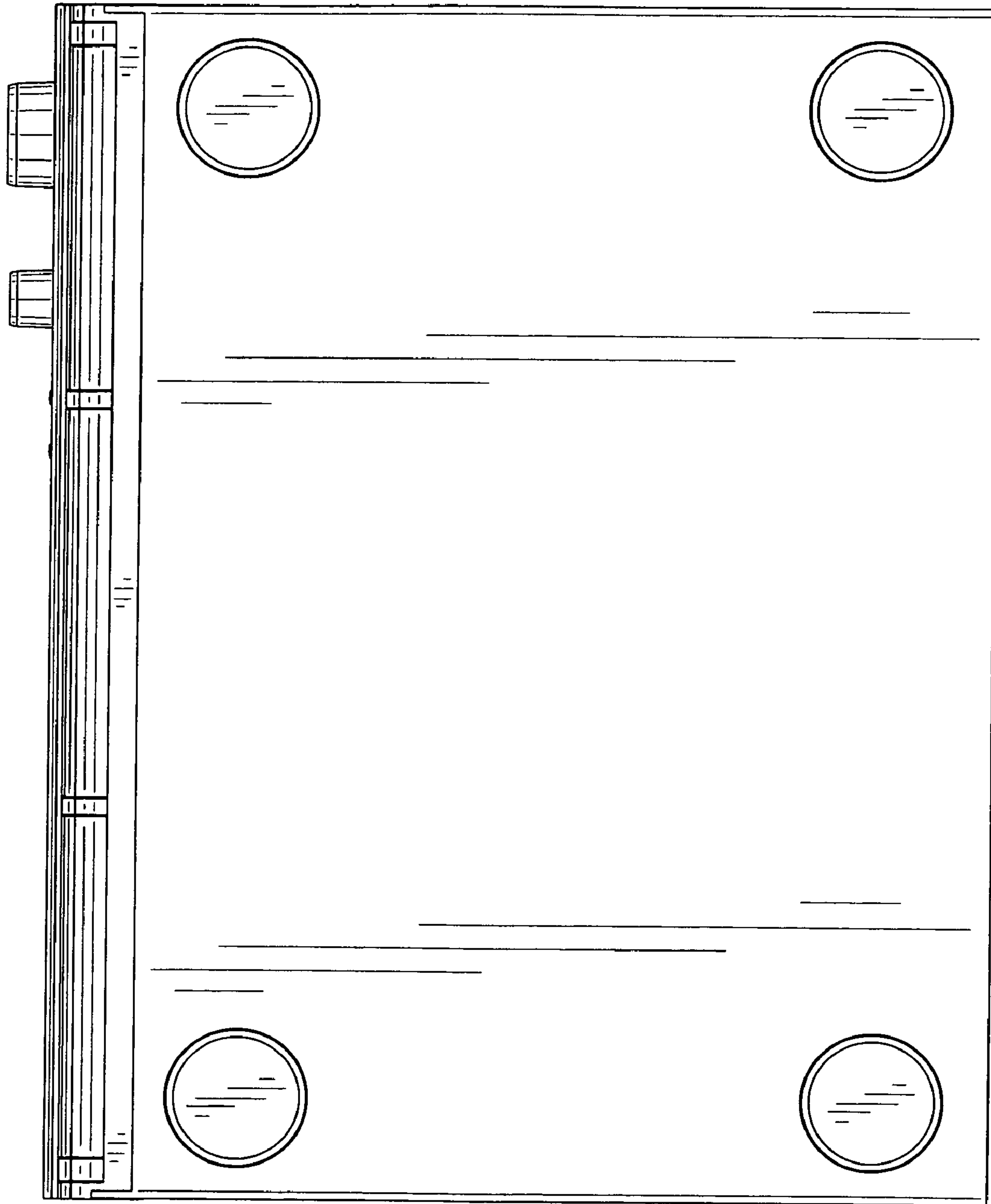


Fig. 8

