



US00D569833S

(12) **United States Design Patent**
Suk et al.

(10) **Patent No.:** **US D569,833 S**

(45) **Date of Patent:** **** May 27, 2008**

(54) **MOBILE PHONE**

(75) Inventors: **Chang-Hoon Suk**, Seoul (KR);
Beom-Ku Han, Seoul (KR);
Chang-Soo Lee, Incheon (KR)

(73) Assignee: **Samsung Electronics Co., Ltd.**,
Suwon-Si (KR)

(**) Term: **14 Years**

(21) Appl. No.: **29/287,731**

(22) Filed: **Sep. 12, 2007**

(30) **Foreign Application Priority Data**

Jun. 13, 2007 (KR) 30-2007-0025496

(51) **LOC (8) Cl.** **14-03**

(52) **U.S. Cl.** **D14/138**

(58) **Field of Classification Search** D14/138,
D14/496, 137, 147, 191, 218, 247-248, 341-347;
D13/168; D18/7; 455/575.4, 90.3, 556.1,
455/556.2, 575.1, 575.3; 379/433.01-433.13;
361/814; 348/14.02

See application file for complete search history.

(56) **References Cited**

U.S. PATENT DOCUMENTS

D337,569 S *	7/1993	Kando	D14/341
D464,961 S *	10/2002	Sogabe	D14/346
D466,096 S *	11/2002	Takada	D14/138
D526,222 S *	8/2006	Uehara	D10/65
D526,300 S *	8/2006	Lee	D14/138
D527,000 S *	8/2006	Hong et al.	D14/346
D531,609 S *	11/2006	Kim et al.	D14/138
D533,532 S *	12/2006	Kim et al.	D14/138
D534,515 S *	1/2007	Kim et al.	D14/138
D534,888 S *	1/2007	Kim et al.	D14/138
D535,968 S *	1/2007	Lee	D14/138
D536,691 S *	2/2007	Park	D14/138
D537,810 S *	3/2007	Lee	D14/156
D544,459 S *	6/2007	Wang	D14/138
D549,204 S *	8/2007	Cho	D14/138

D551,646 S *	9/2007	Kim et al.	D14/138
D552,580 S *	10/2007	Mun	D14/138
D555,128 S *	11/2007	Jen	D14/138
D555,623 S *	11/2007	Cho et al.	D14/138
D557,243 S *	12/2007	Kim et al.	D14/138
D557,244 S *	12/2007	Lee et al.	D14/138
2003/0064688 A1 *	4/2003	Mizuta et al.	455/90
2004/0266477 A1 *	12/2004	Murata	455/556.1
2005/0014538 A1 *	1/2005	Hyun et al.	455/575.4
2005/0124381 A1 *	6/2005	Kim et al.	455/556.1
2006/0025184 A1 *	2/2006	Cho et al.	455/575.4

OTHER PUBLICATIONS

i-mate PDAL, announced Nov. 2006, [online], [retrieved on Feb. 20, 2007]. Retrieved from Internet ,<URL: <http://www.gsmarena.com>>.*

(Continued)

Primary Examiner—Jeffrey D. Asch

Assistant Examiner—Bridget L Eland

(74) *Attorney, Agent, or Firm*—Staas & Halsey LLP

(57)

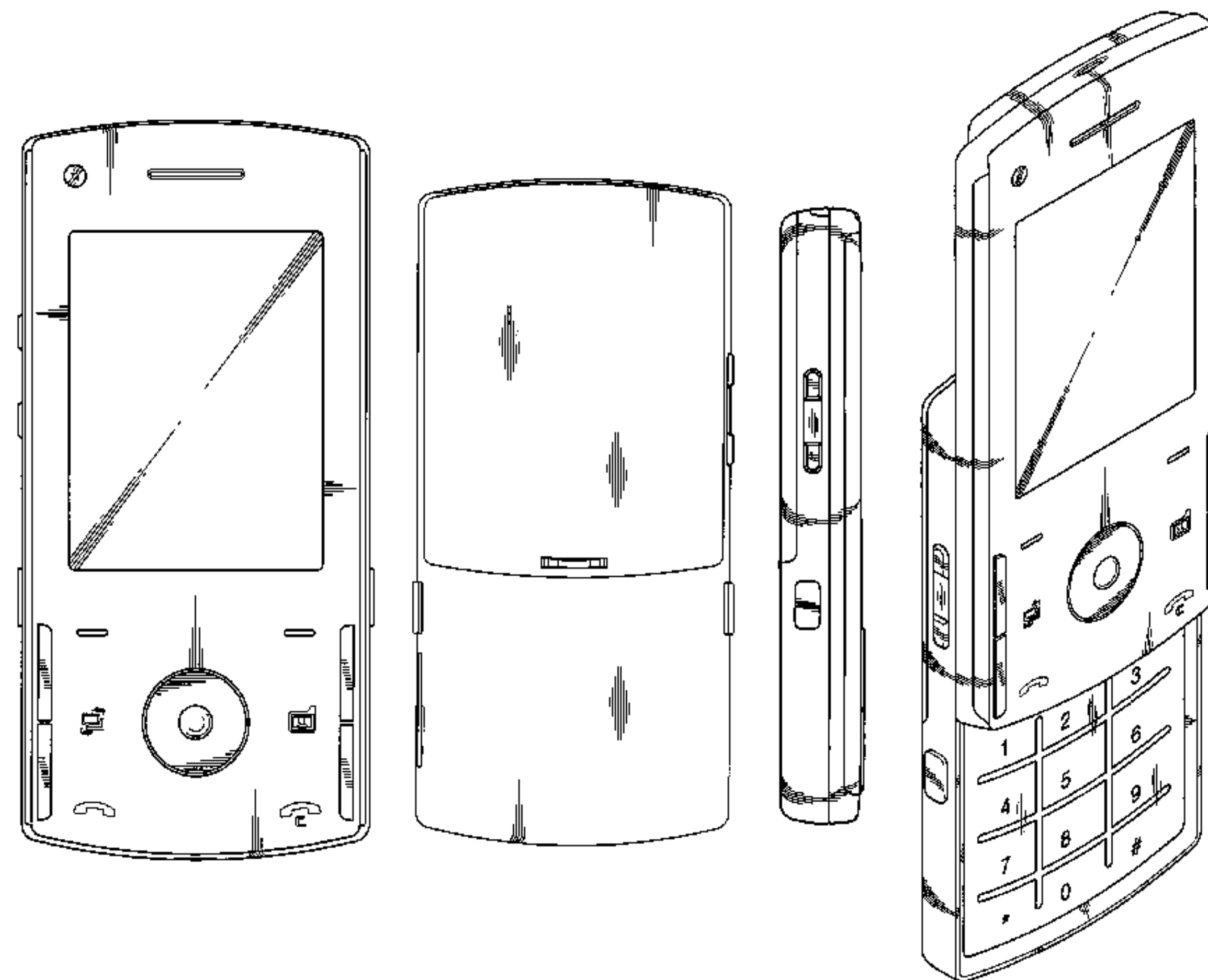
CLAIM

The ornamental design for a mobile phone, as shown and described.

DESCRIPTION

FIG. 1 is a perspective view of a mobile phone;
FIG. 2 is a front view of the mobile phone of FIG. 1;
FIG. 3 is a rear view of the mobile phone of FIG. 1;
FIG. 4 is left-side of the mobile phone of FIG. 1;
FIG. 5 is right-side of the mobile phone of FIG. 1;
FIG. 6 is top plan view of the mobile phone of FIG. 1;
FIG. 7 is bottom plan view of the mobile phone of FIG. 1;
FIG. 8 is an open perspective view of the mobile phone of FIG. 1; and,
FIG. 9 is an open rear view of the mobile phone of FIG. 1.

1 Claim, 7 Drawing Sheets



OTHER PUBLICATIONS

Toshiba TX80, announced Dec. 2006, [online], [retrieved on Feb. 20, 2007]. Retrieved from Internet ,<URL: <http://www.gsmarena.com>>.*

LG KU580, announced Apr. 2007, [online], [retrieved on May 18, 2007]. Retrieved from Internet ,<URL: <http://www.gsmarena.com>>.*

Bird D636, announced May 2007, [online], [retrieved on May 19, 2007]. Retrieved from Internet ,<URL: <http://www.gsmarena.com>>.*

Samsung i620, announced Jun. 2007, [online], [retrieved on Aug. 6, 2007]. Retrieved from Internet ,<URL: <http://www.gsmarena.com>>.*

i-mate JAMA, announced Jun. 2007, [online], [retrieved on Aug. 6, 2007]. Retrieved from Internet ,<URL: <http://www.gsmarena.com>>.*

LG KE500, announced Jul. 2007, [online], [retrieved on Sep. 15, 2007]. Retrieved from Internet ,<URL: <http://www.gsmarena.com>>.*

* cited by examiner

FIG. 1

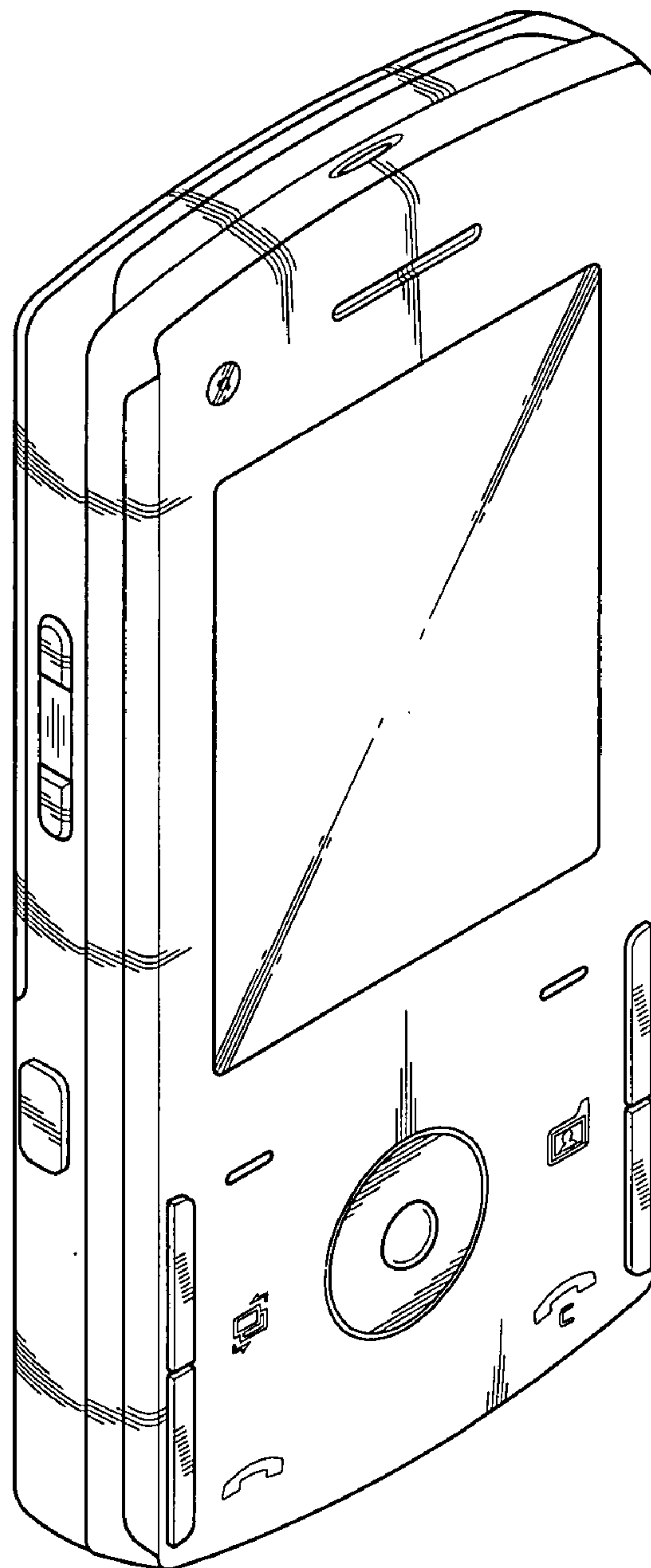


FIG. 2

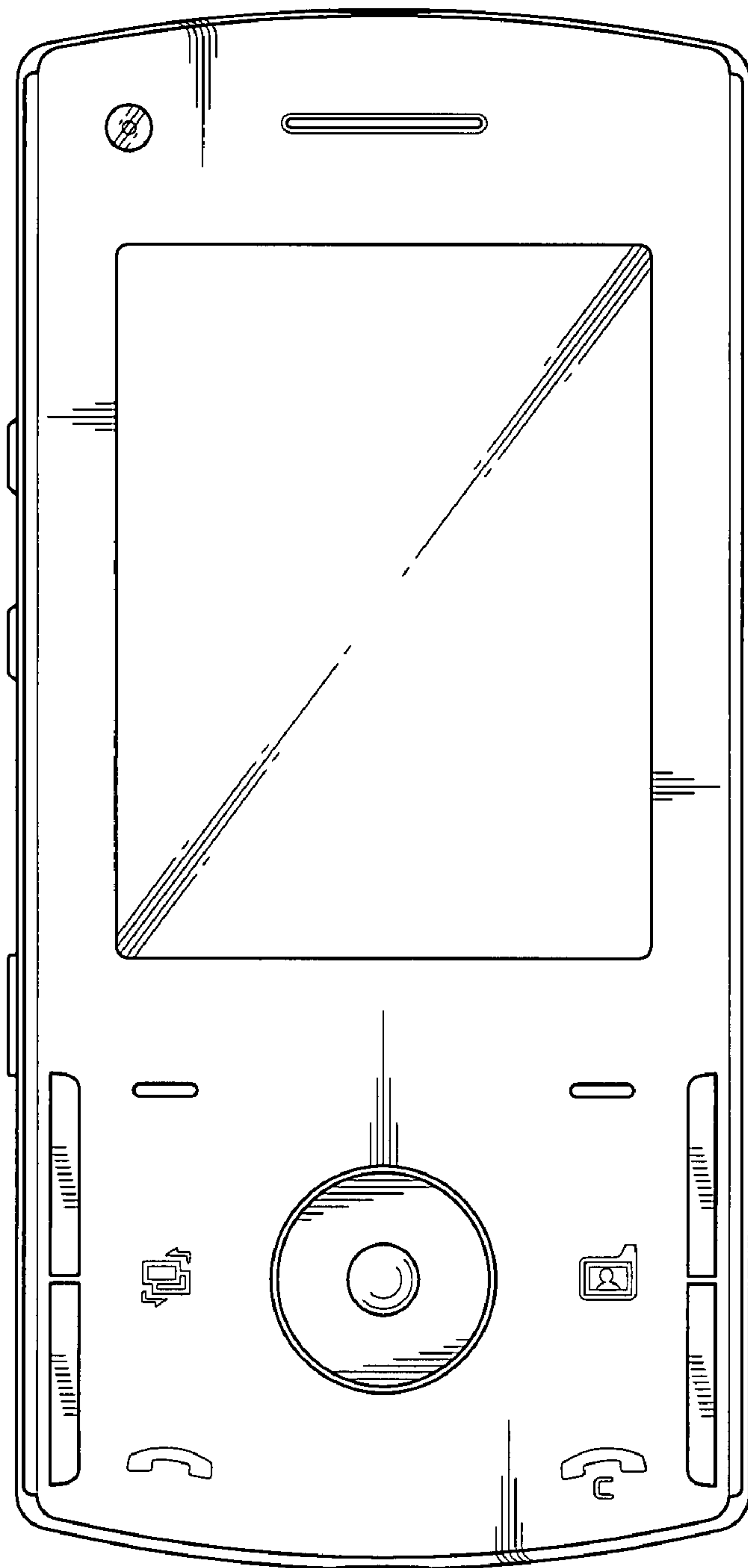


FIG.3

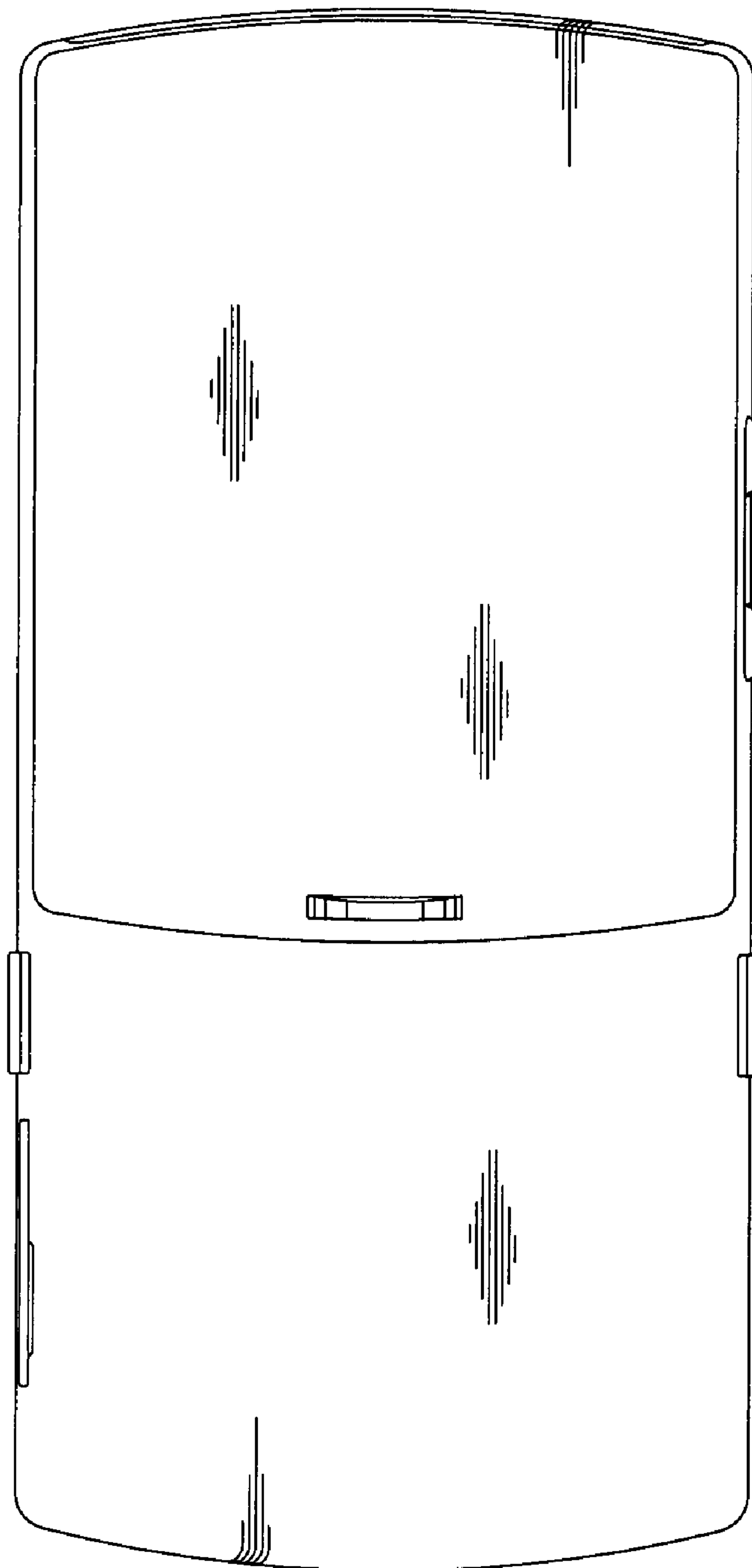


FIG. 4

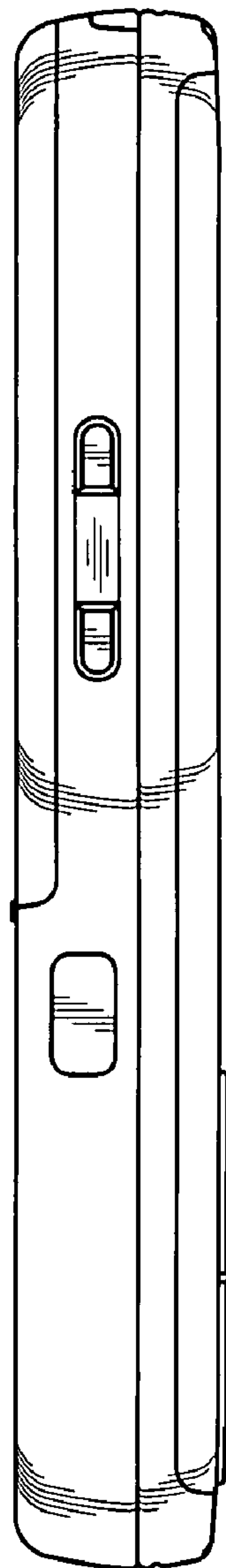


FIG. 5

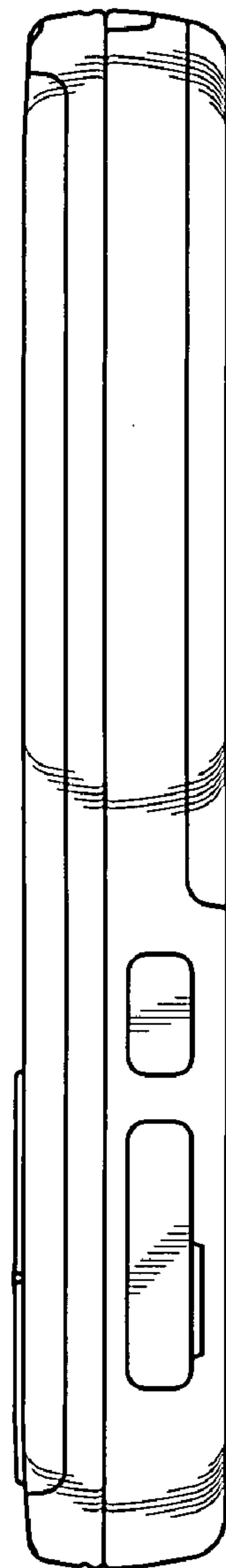


FIG. 6

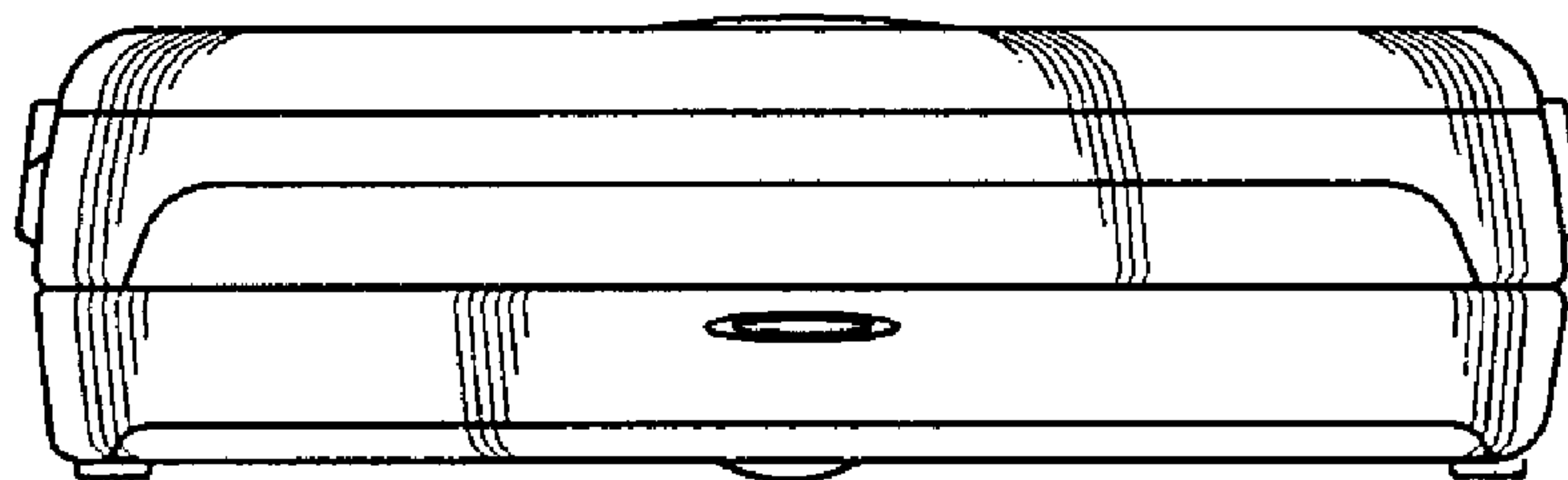


FIG. 7

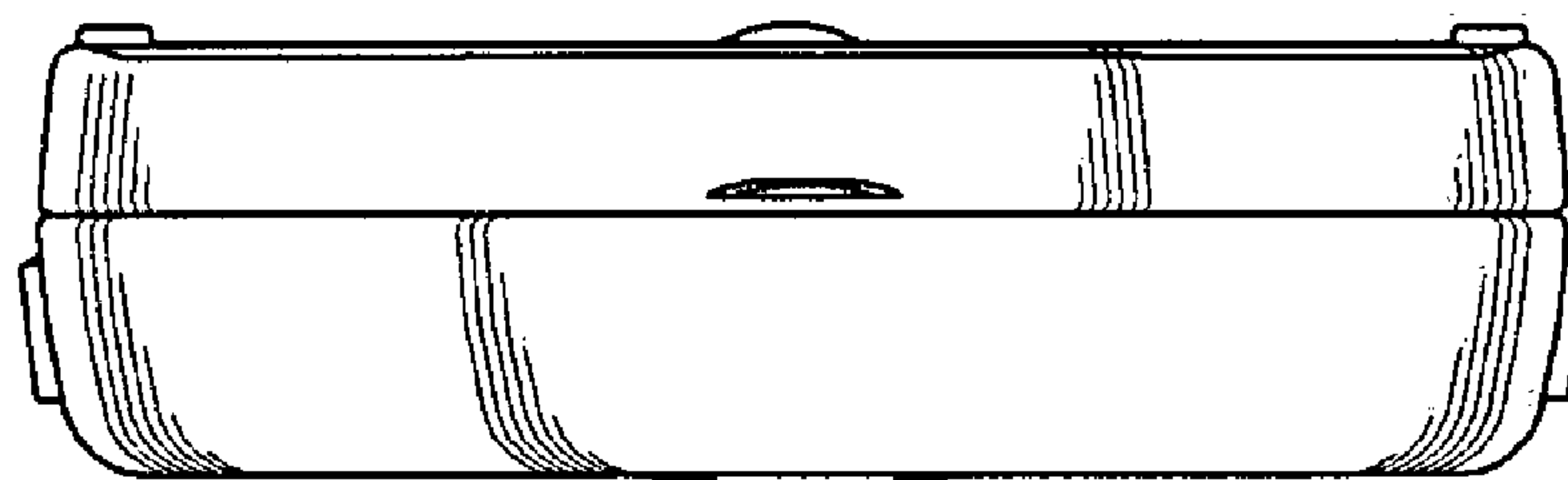


FIG. 8

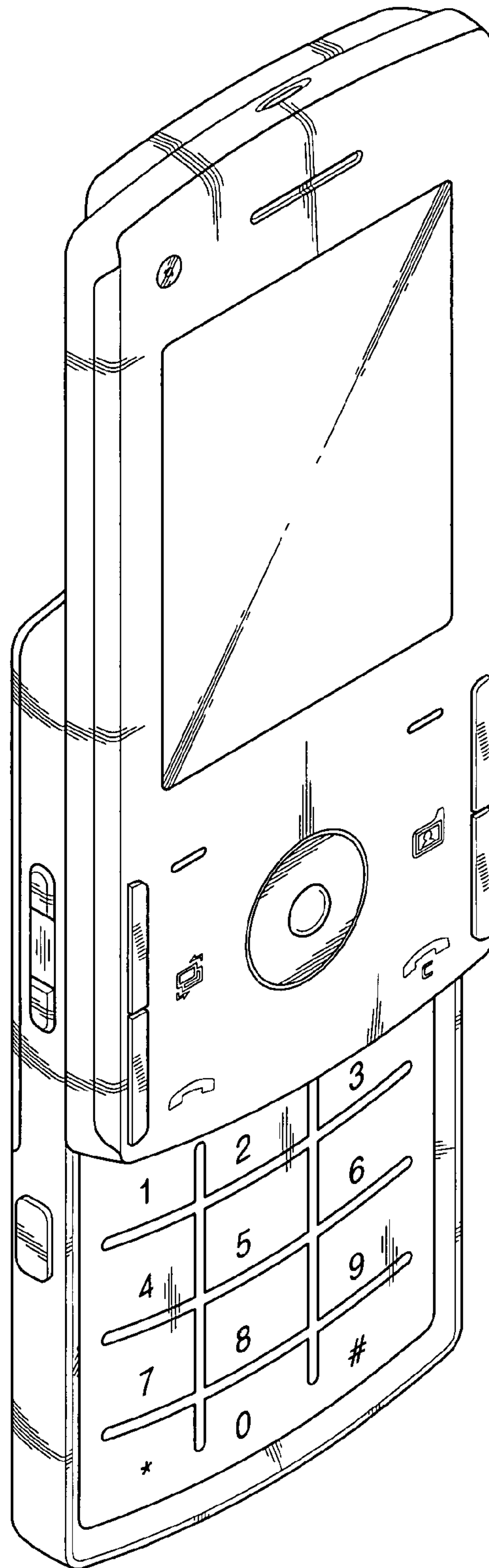


FIG. 9

