



US00D569826S

(12) **United States Design Patent** (10) **Patent No.:** **US D569,826 S**
Griffin et al. (45) **Date of Patent:** **** May 27, 2008**

(54) **HANDHELD DEVICE**

(75) Inventors: **Jason T. Griffin**, Kitchener (CA);
Cortez M. Corley, Waterloo (CA);
Norman M. Ladouceur, Waterloo
(CA)

(73) Assignee: **Research In Motion Limited**,
Waterloo, Ontario (CA)

(**) Term: **14 Years**

(21) Appl. No.: **29/256,288**

(22) Filed: **Mar. 17, 2006**

(51) **LOC (8) Cl.** **14-03**

(52) **U.S. Cl.** **D14/138**

(58) **Field of Classification Search** D14/137,
D14/138, 147, 218, 341-347; 455/90.3,
455/556.1, 556.2, 575.1, 575.3, 575.4; 379/433.01-433.13;
361/814; 348/14.02

See application file for complete search history.

(56) **References Cited**

U.S. PATENT DOCUMENTS

D447,128 S *	8/2001	Lee et al.	D14/138
D464,632 S *	10/2002	Nagai et al.	D14/138
D477,294 S *	7/2003	Ikeda et al.	D14/138
D493,440 S *	7/2004	Chou et al.	D14/138
6,791,597 B2 *	9/2004	Ando et al.	348/14.02
D500,994 S *	1/2005	Lee et al.	D14/138
D501,457 S *	2/2005	Lee et al.	D14/138
D502,932 S *	3/2005	Minamide	D14/138
D504,406 S *	4/2005	Cho et al.	D14/138
D507,551 S *	7/2005	Kim et al.	D14/138
D508,474 S *	8/2005	Ribeiro et al.	D14/138
D509,495 S *	9/2005	Ribeiro et al.	D14/138
D516,547 S *	3/2006	Tyneski et al.	D14/247
D518,465 S *	4/2006	Van Den Nieuwenhuizen et al.	D14/138
D520,976 S *	5/2006	LaDelfa	D14/138
D523,006 S *	6/2006	Corley et al.	D14/247
7,120,475 B2 *	10/2006	Kaneko	455/575.1
7,133,691 B2 *	11/2006	Kang	455/556.1

7,184,807 B2 *	2/2007	Shimamura	455/575.6
D543,175 S *	5/2007	Park et al.	D14/138
D545,796 S *	7/2007	Kim et al.	D14/138
D550,708 S *	9/2007	Kim	D14/496
D552,059 S *	10/2007	Cho et al.	D14/138
2002/0086702 A1 *	7/2002	Lai et al.	455/556
2004/0097277 A1 *	5/2004	Shimamura	455/575.3
2006/0003817 A1 *	1/2006	Lee et al.	455/575.3

OTHER PUBLICATIONS

Samsung D700, announced 3rd quarter 2003, [online], [retrieved on Nov. 3, 2007]. Retrieved from Internet ,<URL: http://www.gsmarena.com>.*

(Continued)

Primary Examiner—Jeffrey D. Asch
Assistant Examiner—Bridget L Eland

(74) *Attorney, Agent, or Firm*—Brij K. Agarwal; Eckert
Seamans Cherin & Mellott, LLC

(57) **CLAIM**

The ornamental design for a handheld device, as shown and described.

DESCRIPTION

FIG. 1 is a front elevational view of a handheld device depicting our new design;

FIG. 2 is a left side elevational view thereof;

FIG. 3 is a right side elevational view thereof;

FIG. 4 is a rear elevational view thereof;

FIG. 5 is a top plan view thereof;

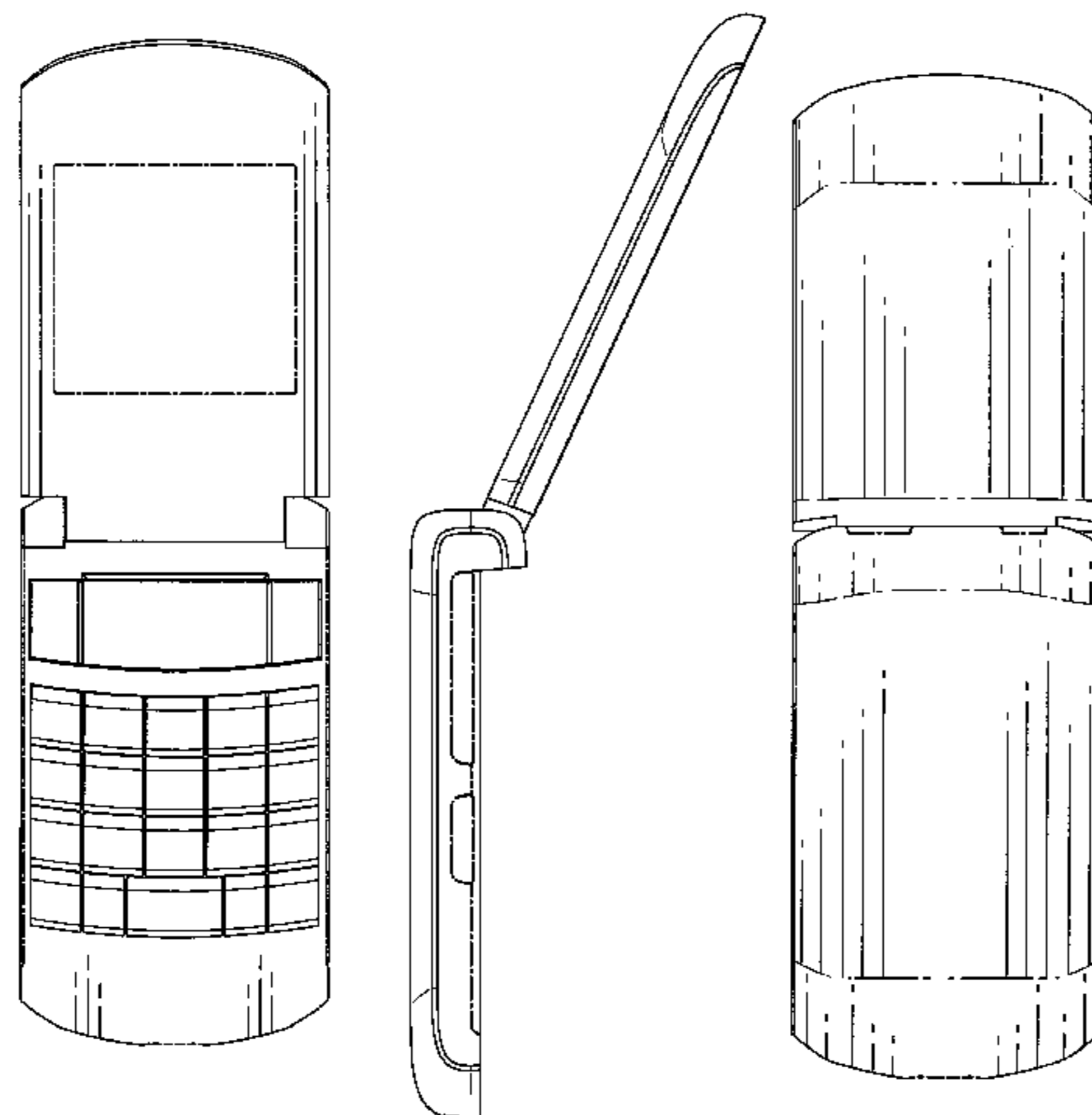
FIG. 6 is a bottom plan view thereof;

FIG. 7 is a front perspective view thereof; and,

FIG. 8 is another rear perspective view thereof.

The broken lines that are disposed immediately adjacent the shaded areas and that encompass unshaded regions represent the bounds of the claimed design, while all other broken lines are directed to environment and are for illustrative purposes only; the broken lines form no part of the claimed design.

1 Claim, 6 Drawing Sheets



OTHER PUBLICATIONS

Samsung Z110, announced 4th quarter 2004, [online], [retrieved on Nov. 3, 2007]. Retrieved from Internet ,<URL: <http://www.gsmarena.com>>.*

Motorola V690, announced 3rd quarter 2003, [online], [retrieved on Nov. 4, 2007]. Retrieved from Internet ,<URL: <http://www.gsmarena.com>>.*

Motorola W375, announced Jun. 2006, [online], [retrieved on Nov. 4, 2007]. Retrieved from Internet ,<URL: <http://www.gsmarena.com>>.*

Motorola W380, announced Mar. 2007, [online], [retrieved on Nov. 4, 2007]. Retrieved from Internet ,<URL: <http://www.gsmarena.com>>.*

Philips 760, announced 1st quarter 2005, [online], [retrieved on Nov. 4, 2007]. Retrieved from Internet ,<URL: <http://www.gsmarena.com>>.*

Samsung E490, announced Nov. 2006, [online], [retrieved on Nov. 3, 2007]. Retrieved from Internet ,<URL: <http://www.gsmarena.com>>.*

Samsung E570, announced Oct. 2006, [online], [retrieved on Nov. 3, 2007]. Retrieved from Internet ,<URL: <http://www.gsmarena.com>>.*

* cited by examiner

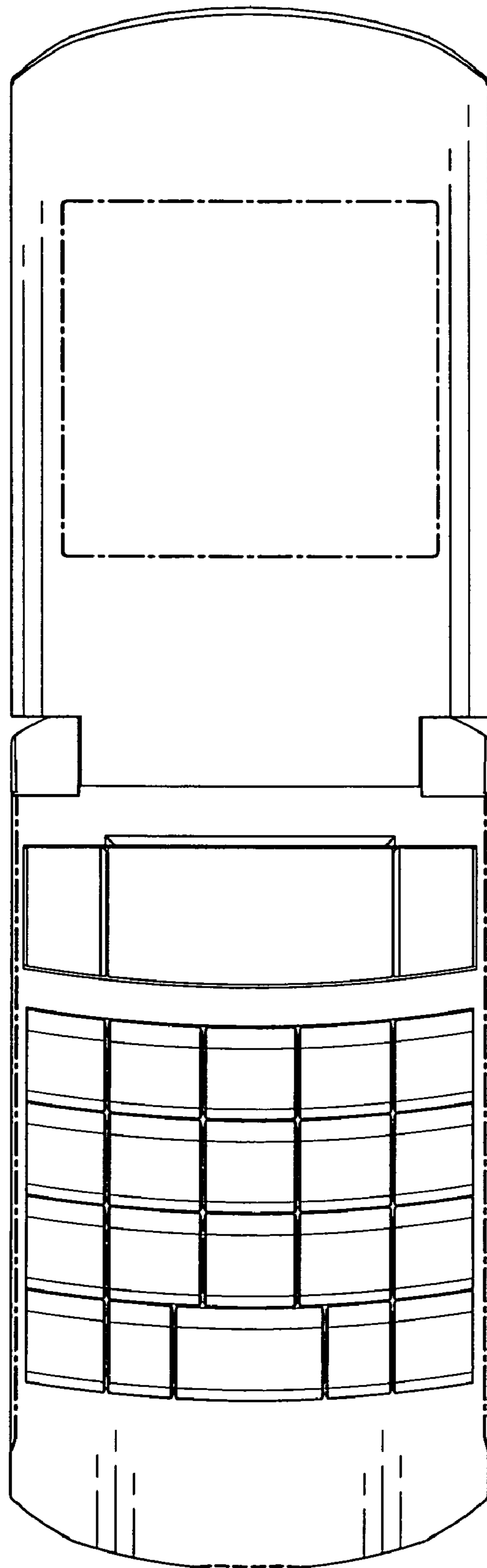


FIG. 1

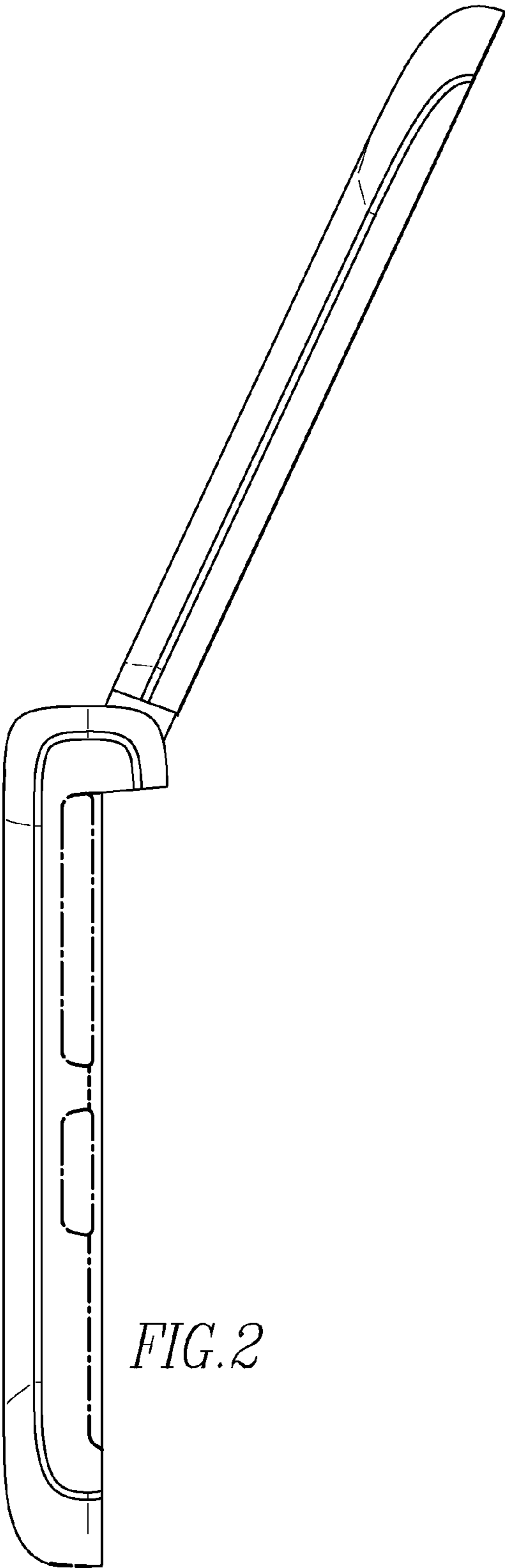


FIG. 2

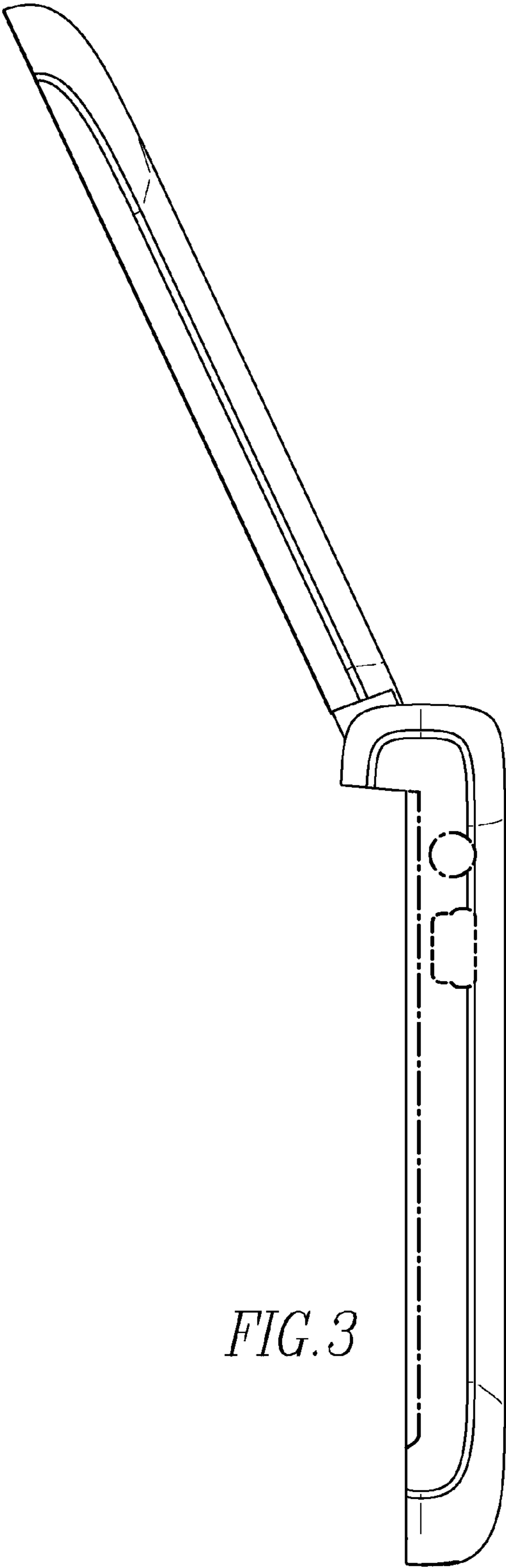


FIG. 3

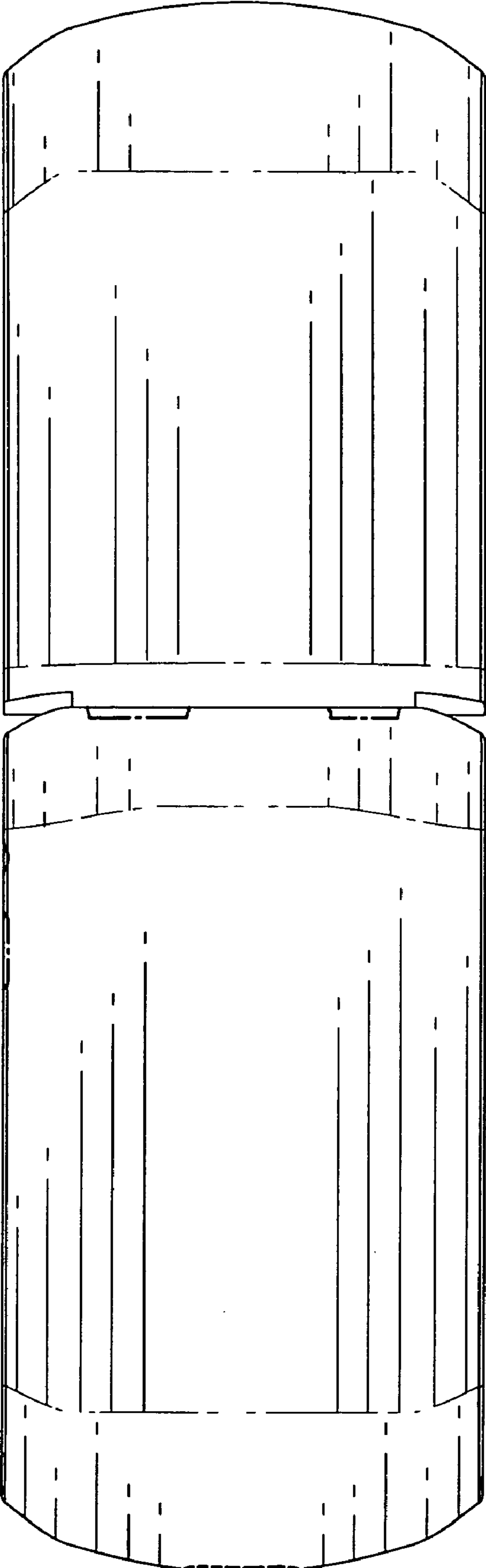


FIG. 4

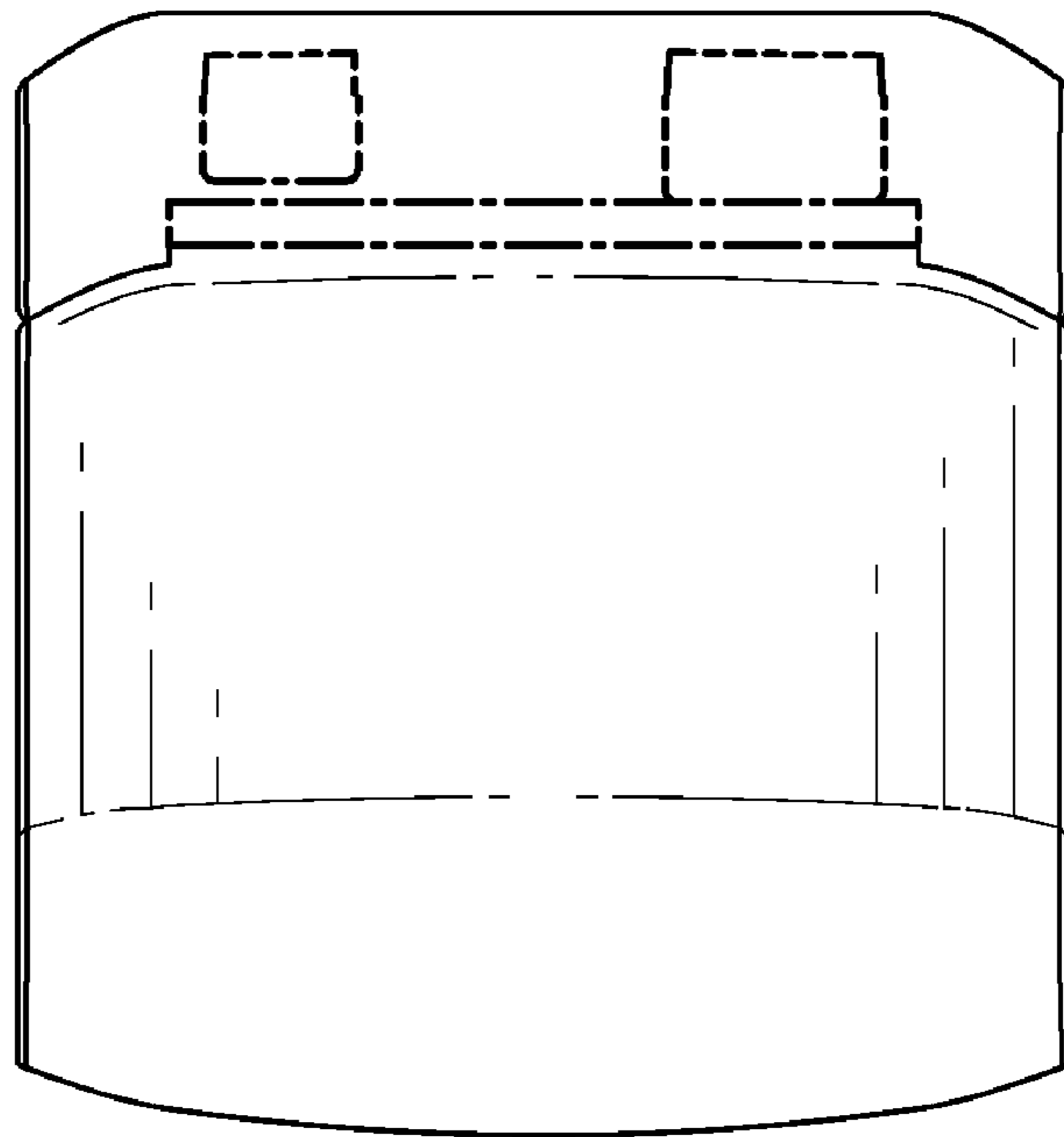


FIG. 5

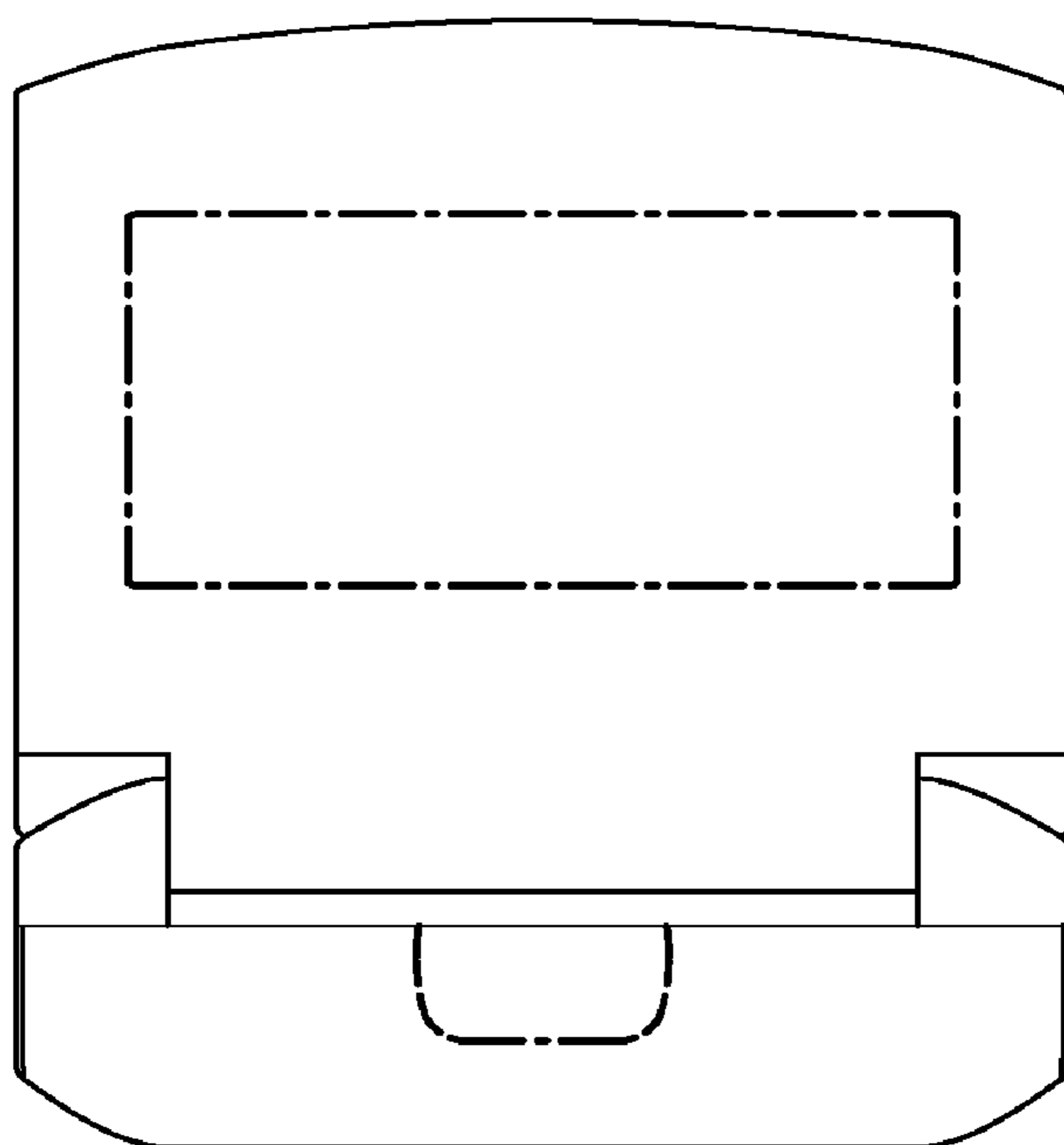


FIG. 6

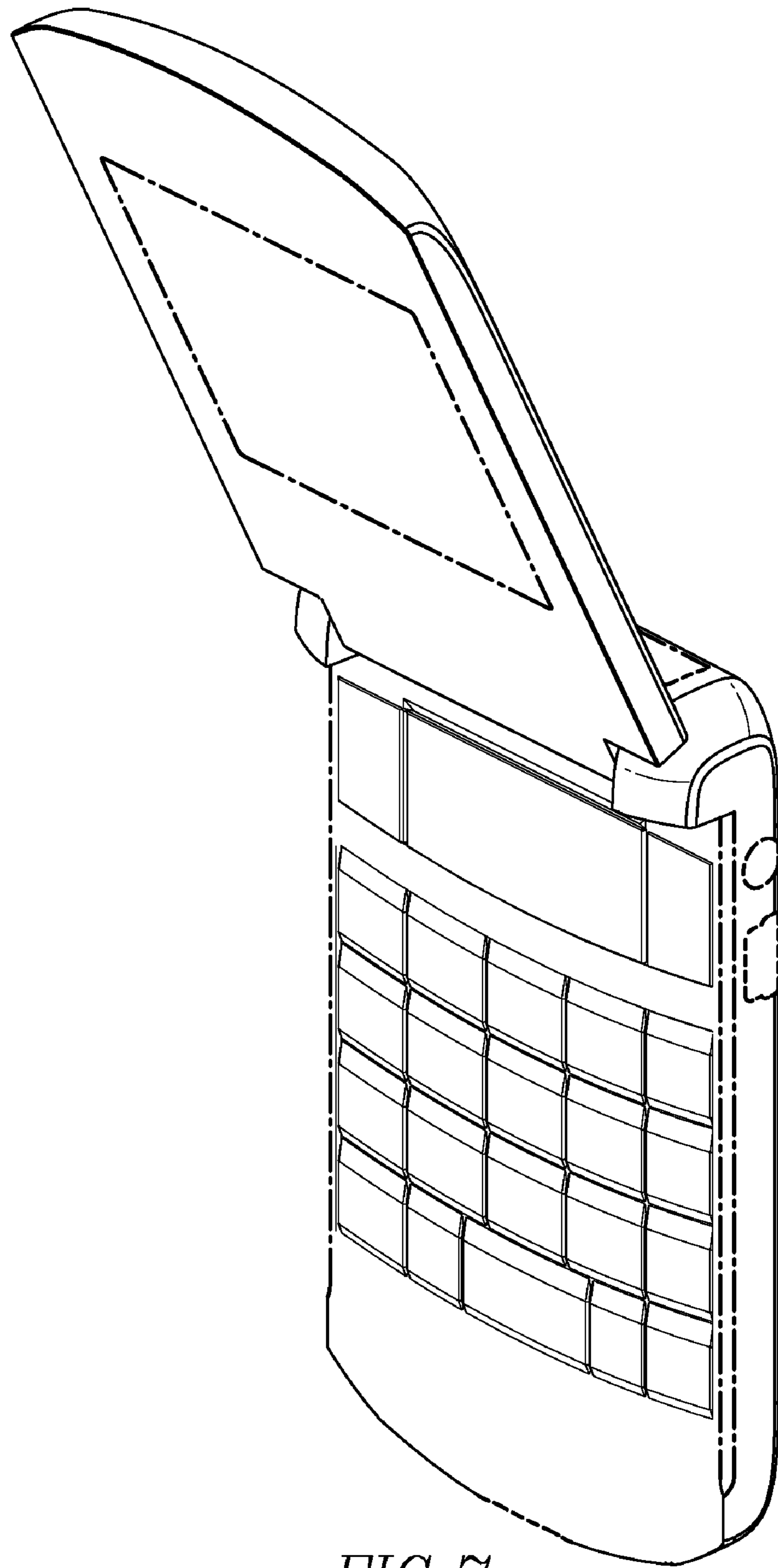


FIG. 7

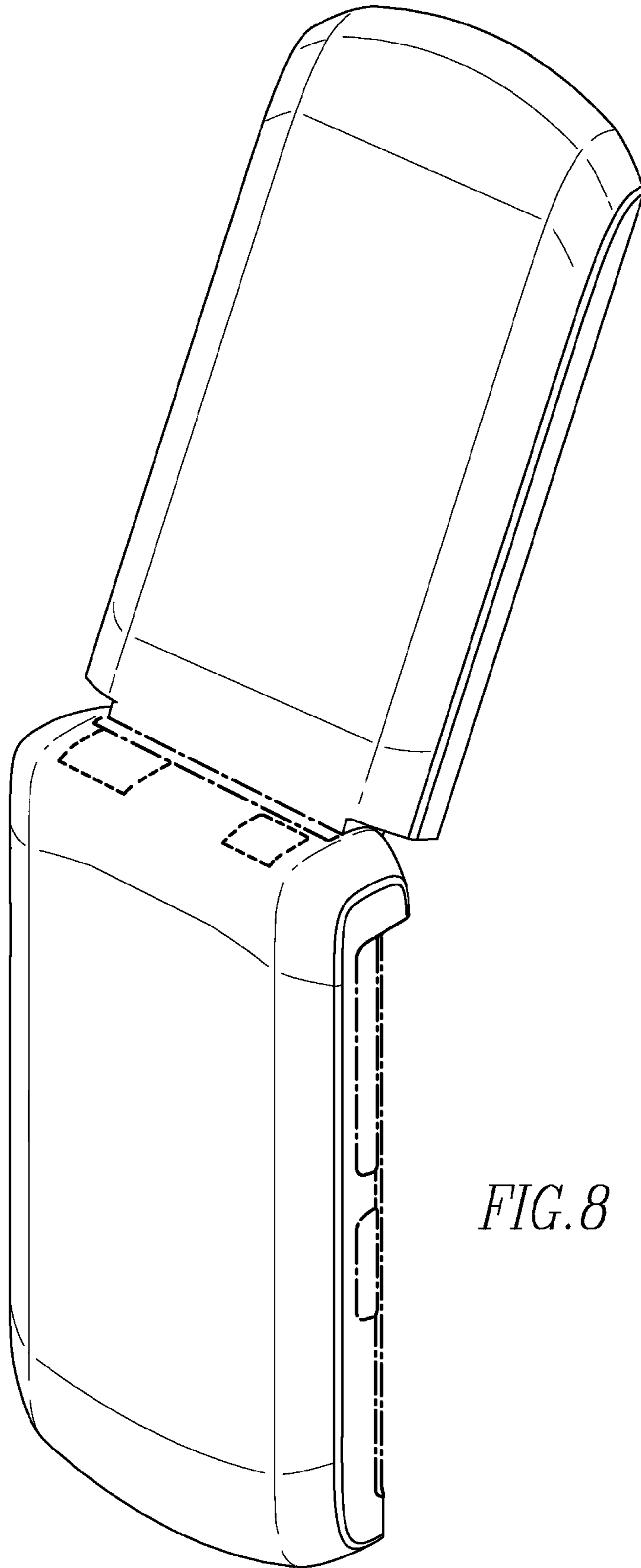


FIG. 8