



US00D569822S

(12) **United States Design Patent**
Laine

(10) **Patent No.:** **US D569,822 S**
(45) **Date of Patent:** **** May 27, 2008**

(54) **HANDSET**

WO DM/055040 * 11/2000

(75) Inventor: **Aki Laine**, Kobenhavn S (DK)

OTHER PUBLICATIONS

(73) Assignee: **Nokia Corporation**, Espoo (FI)

VK Mobile VK 4100, announced Mar. 2006, [online], [retrieved on Feb. 20, 2007]. Retrieved from Internet ,<URL: http://www.gsmarena.com>.*

(**) Term: **14 Years**

Primary Examiner—Jeffrey Asch
Assistant Examiner—Bridget L Eland

(21) Appl. No.: **29/246,166**

(74) *Attorney, Agent, or Firm*—Banner & Witcoff, Ltd.

(22) Filed: **Mar. 2, 2006**

(30) **Foreign Application Priority Data**

Sep. 2, 2005 (FI) M20050130

(57) **CLAIM**

The ornamental design for a handset, as shown and described.

(51) **LOC (8) Cl.** **14-03**

(52) **U.S. Cl.** **D14/138**

(58) **Field of Classification Search** D14/137,
D14/138, 147, 218, 247–248, 341–347, 496;
455/90.3, 556.1, 556.2, 575.1, 575.3, 575.4;
379/433.01–433.13; 361/814; 348/14.02
See application file for complete search history.

DESCRIPTION

FIG. 1 is a bottom plan view of a handset showing my new design;

FIG. 2 is a right side view thereof;

FIG. 3 is a front view thereof;

FIG. 4 is a left side view thereof;

FIG. 5 is a top plan view thereof;

FIG. 6 is a rear view thereof;

FIG. 7 is a perspective front view thereof;

FIG. 8 is a perspective rear view thereof;

FIG. 9 is a front view of the handset of FIGS. 1–8 in an open in-use position;

FIG. 10 is a perspective front view of the handset of FIGS. 1–8 in an open in-use position;

FIG. 11 is a perspective rear view of the handset of FIGS. 1–8 in an open in-use position;

FIG. 12 is a right side view of the handset of FIGS. 1–8 in an open in-use position;

FIG. 13 is a left side view of the handset of FIGS. 1–8 in an open in-use position; and,

FIG. 14 is a rear view of the handset of FIGS. 1–8 in an open in-use position.

(56) **References Cited**

U.S. PATENT DOCUMENTS

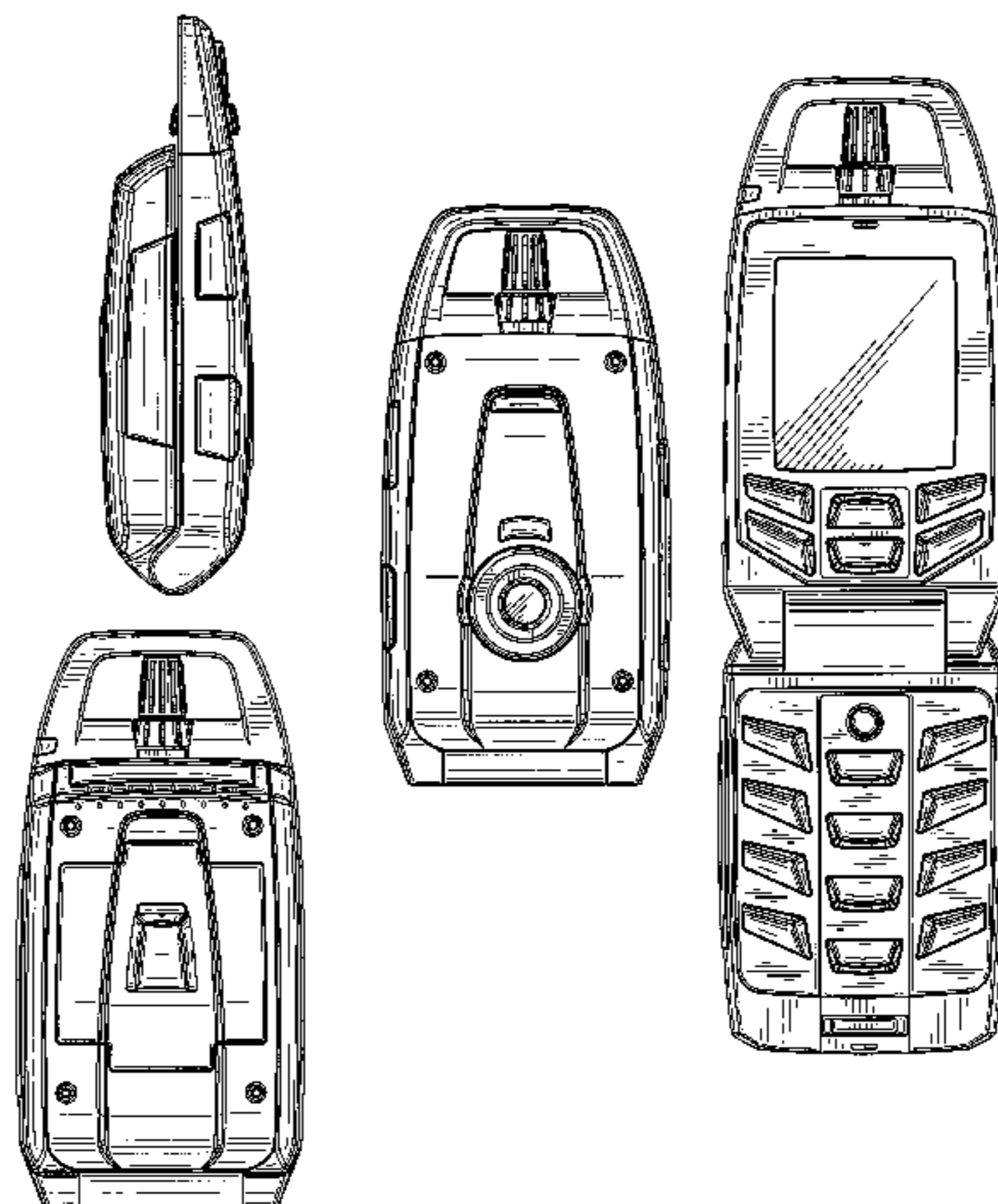
D261,764 S	*	11/1981	Klucznik et al.	D14/137
D348,879 S	*	7/1994	Shuler	D14/137
D386,493 S	*	11/1997	Mahan	D14/138
D395,250 S	*	6/1998	Kabler et al.	D10/65
D408,397 S	*	4/1999	Renard	D14/138
6,073,034 A	*	6/2000	Jacobsen et al.	455/566
D428,401 S	*	7/2000	Curtis	D14/138
6,243,595 B1	*	6/2001	Lee et al.	455/566
D446,197 S	*	8/2001	Lee	D14/138
D453,150 S	*	1/2002	Murray	D14/138
D453,326 S	*	2/2002	Mujica	D14/138
D454,123 S	*	3/2002	Mujica	D14/138
D455,412 S	*	4/2002	Vuolteenaho et al.	D14/138
D455,738 S		4/2002	Kolinen		

(Continued)

FOREIGN PATENT DOCUMENTS

GB 2105941 9/2002

1 Claim, 8 Drawing Sheets



US D569,822 S

Page 2

U.S. PATENT DOCUMENTS

D461,801 S	8/2002	Nuovo					
D462,344 S	9/2002	Nuovo					
6,792,287 B1 *	9/2004	Tuomela et al.	455/556.1			
D499,708 S *	12/2004	Taylor	D14/138			
D502,457 S *	3/2005	Eigenstetter et al.	D14/138			
D504,682 S	5/2005	Kettula et al.					
D509,814 S *	9/2005	Shin et al.	D14/138			
D524,785 S *	7/2006	Huang	D14/138			
D542,253 S *	5/2007	Hwang	D14/138			
2001/0003707 A1 *	6/2001	Moriya	455/566			
2002/0054677 A1 *	5/2002	Zambotti et al.	379/433.01			
2004/0058705 A1 *	3/2004	Morgan et al.	455/556.1			
2004/0243444 A1 *	12/2004	Steusloff et al.	705/2			
2006/0063571 A1 *	3/2006	Chadha	455/575.3			
2007/0032275 A1 *	2/2007	Suzuki et al.	455/575.3			

* cited by examiner

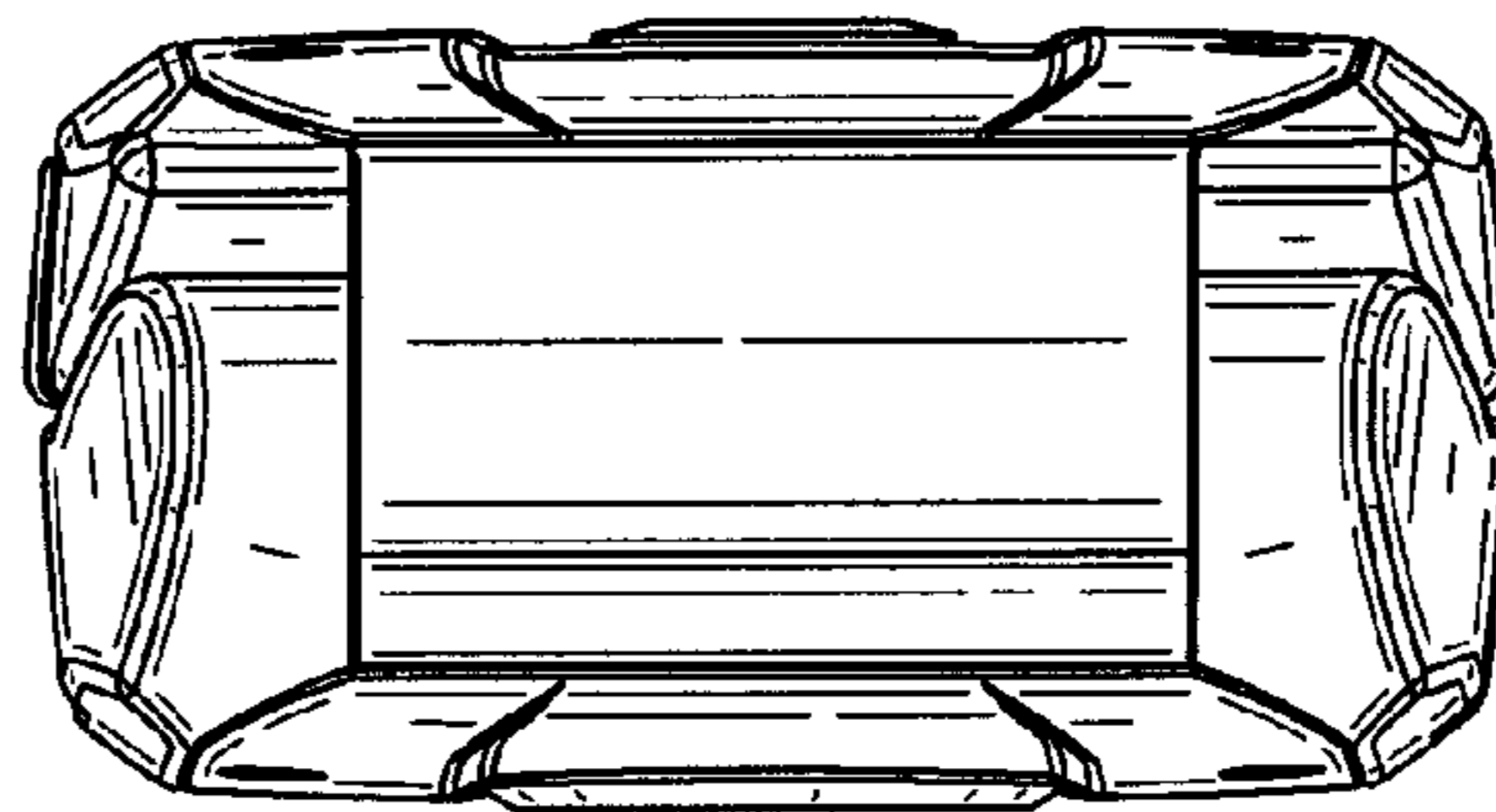


FIG. 1



FIG. 2

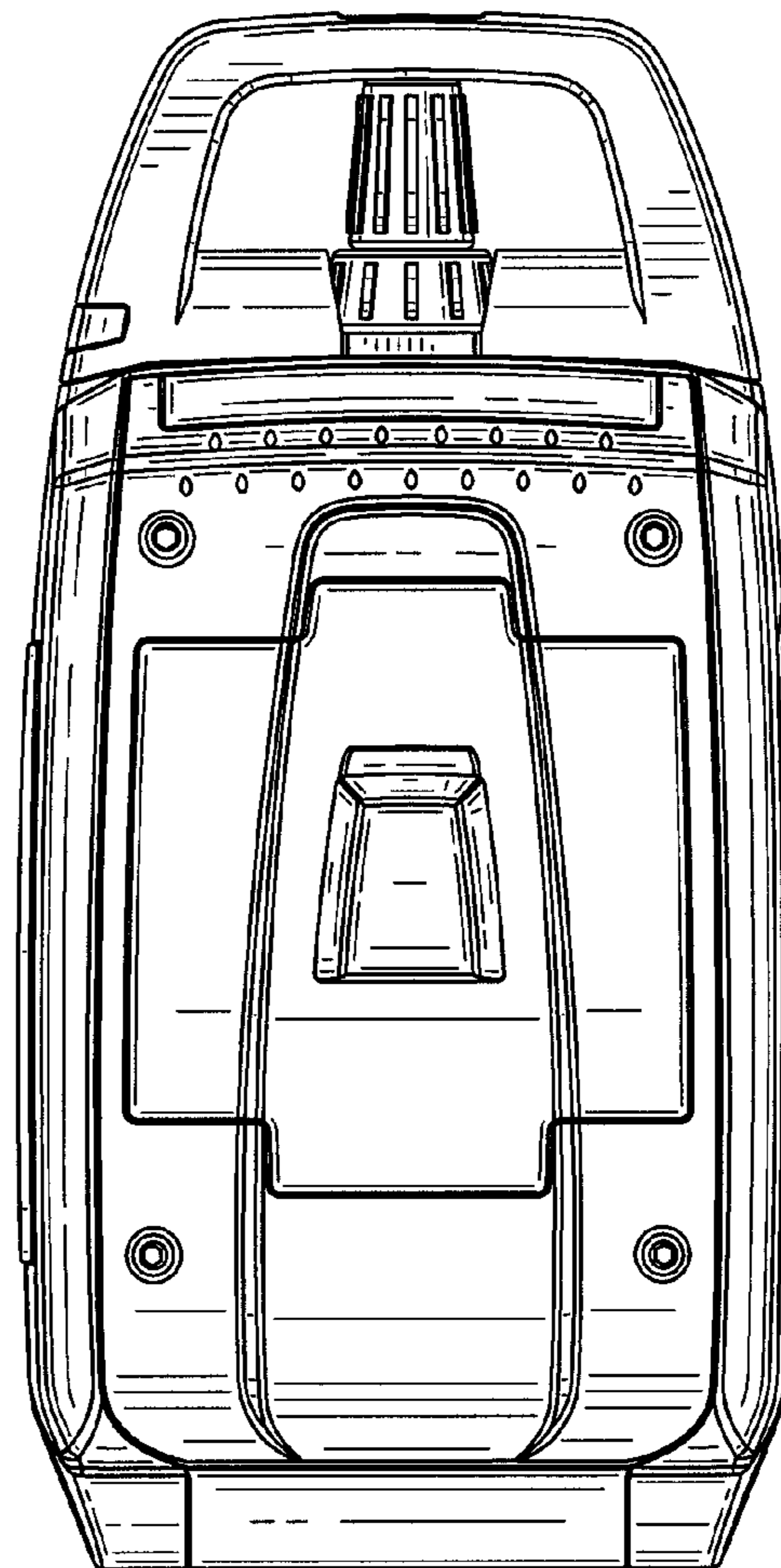


FIG. 3

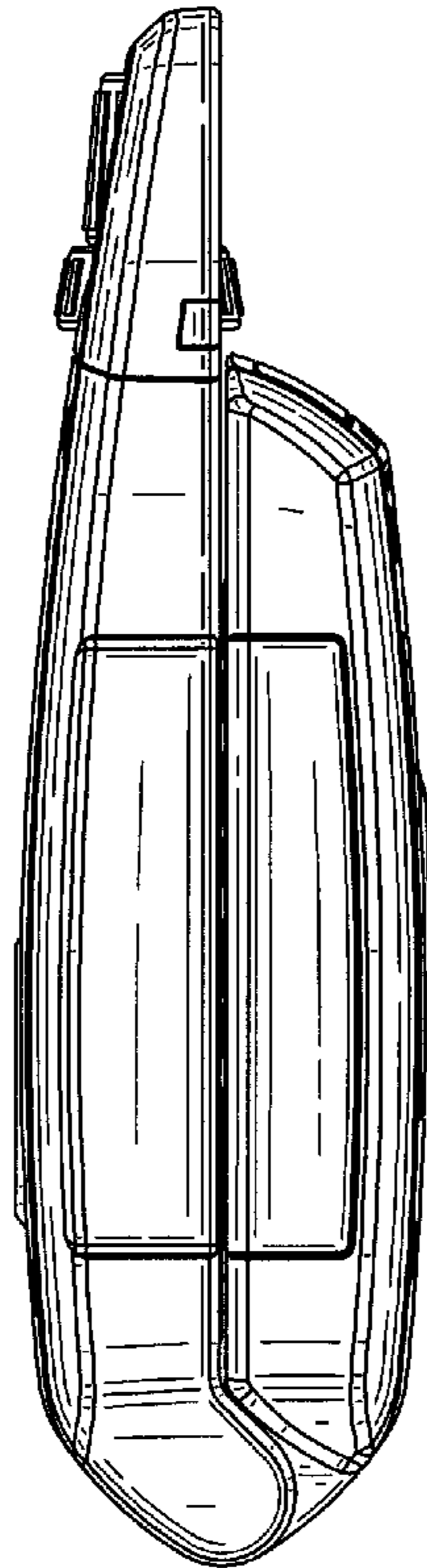


FIG. 4

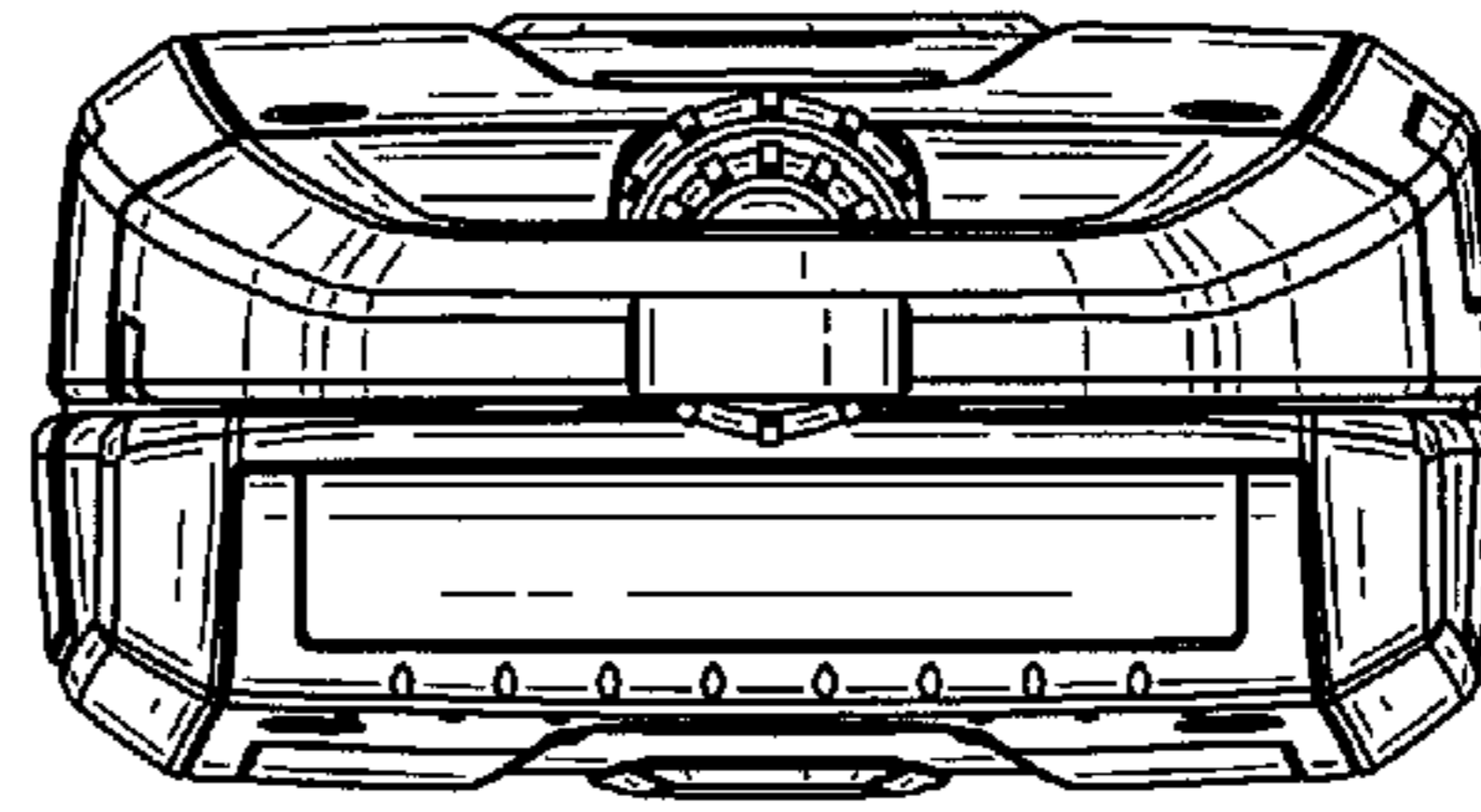


FIG. 5

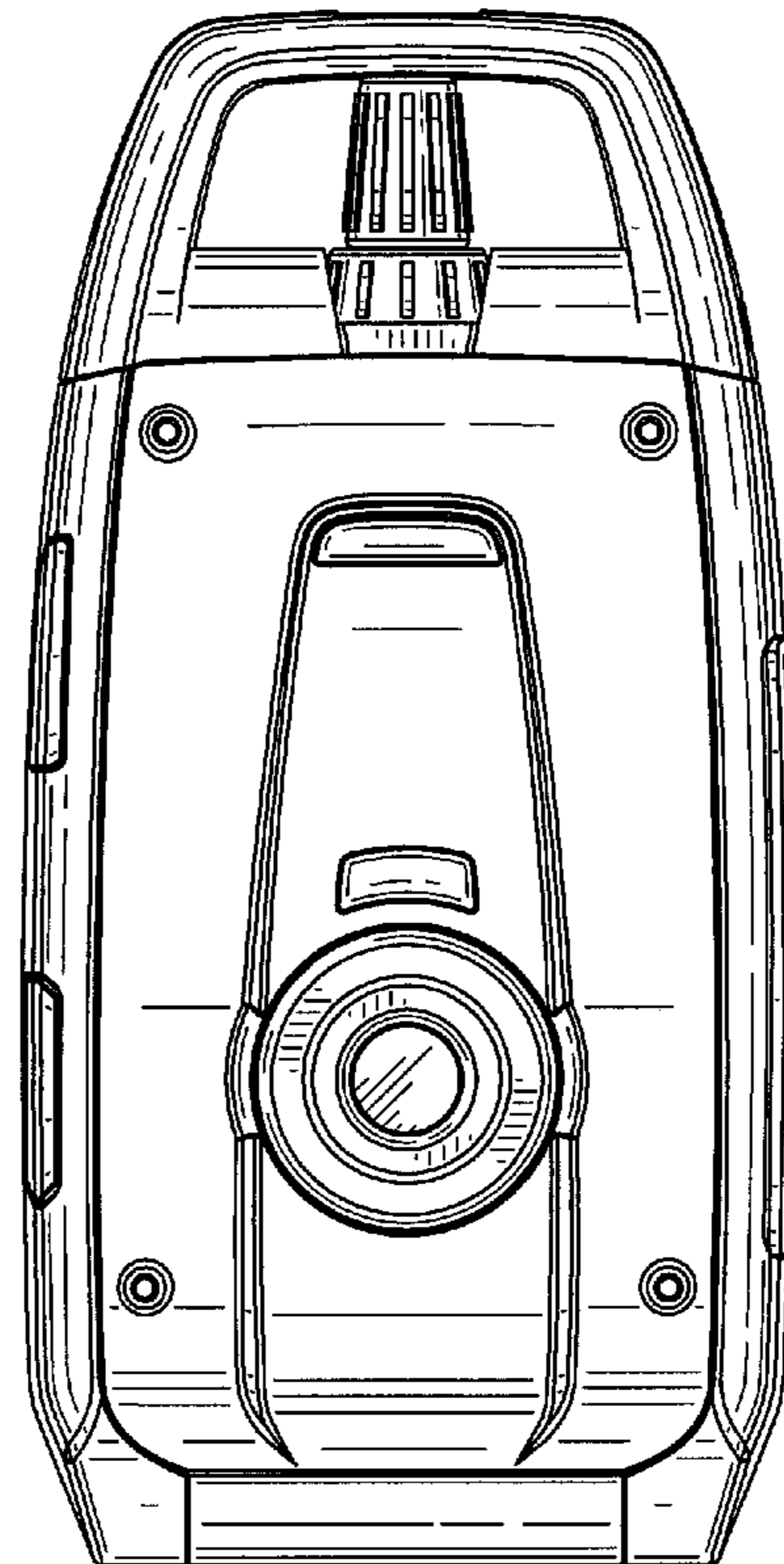


FIG. 6

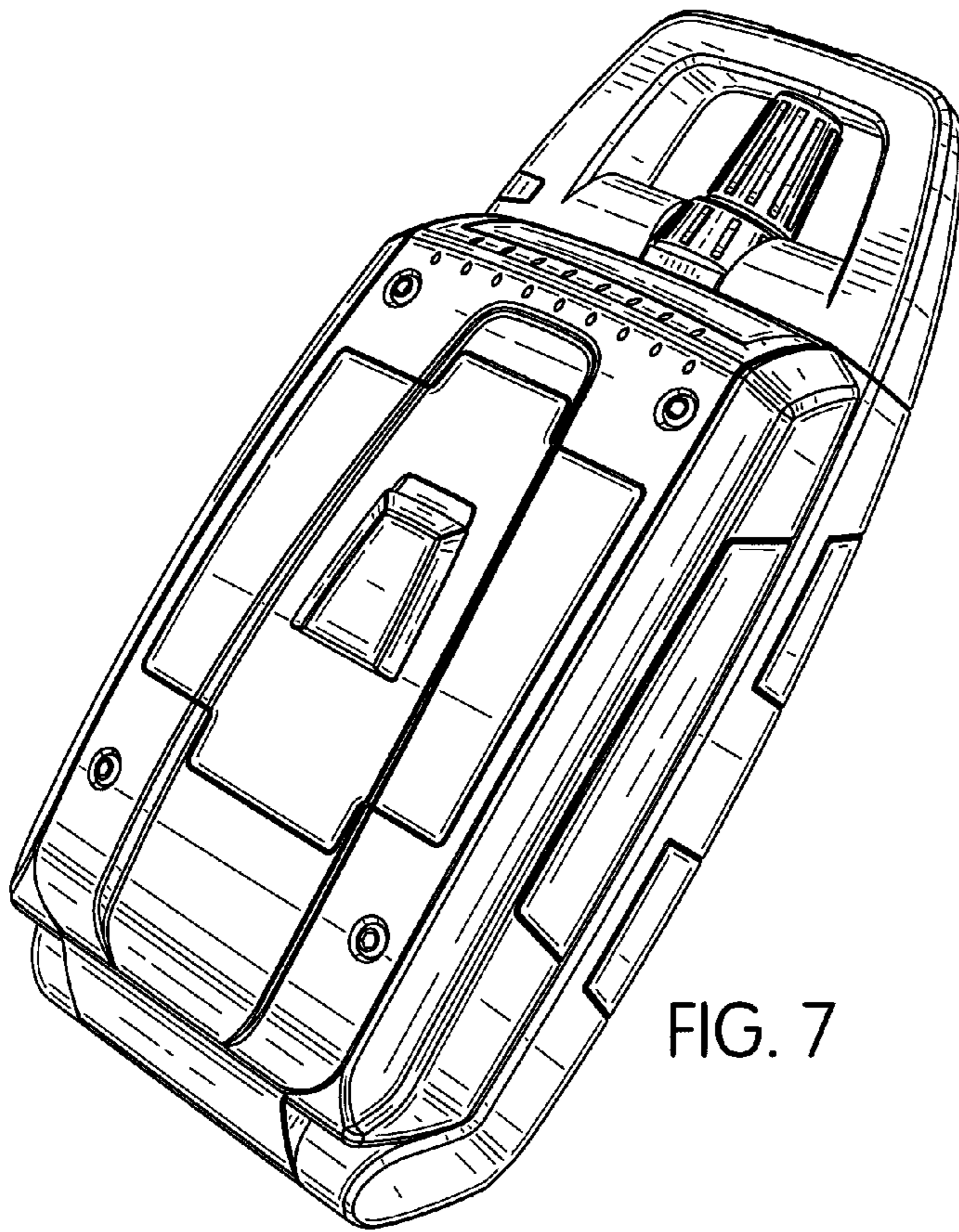


FIG. 7

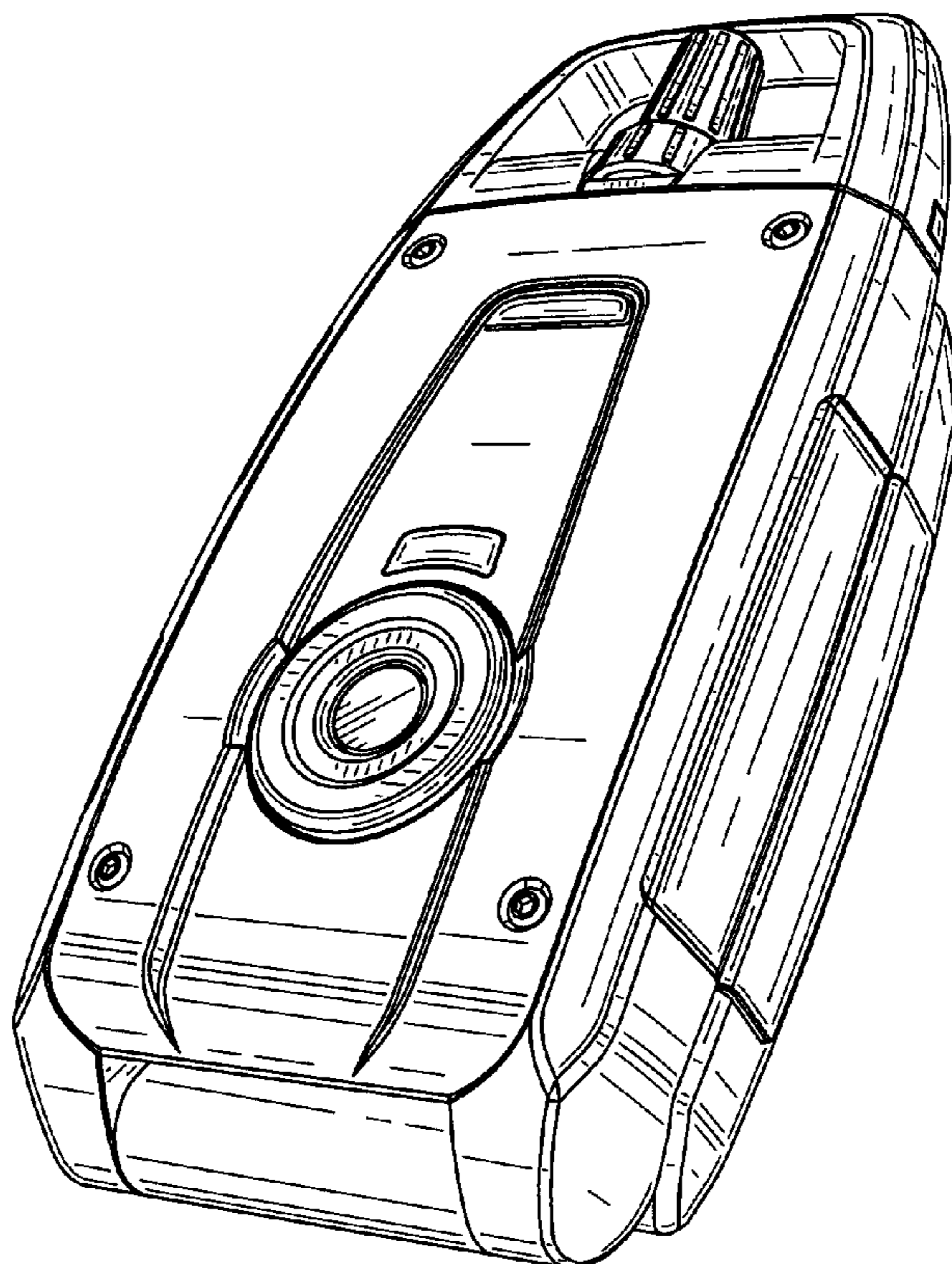


FIG. 8

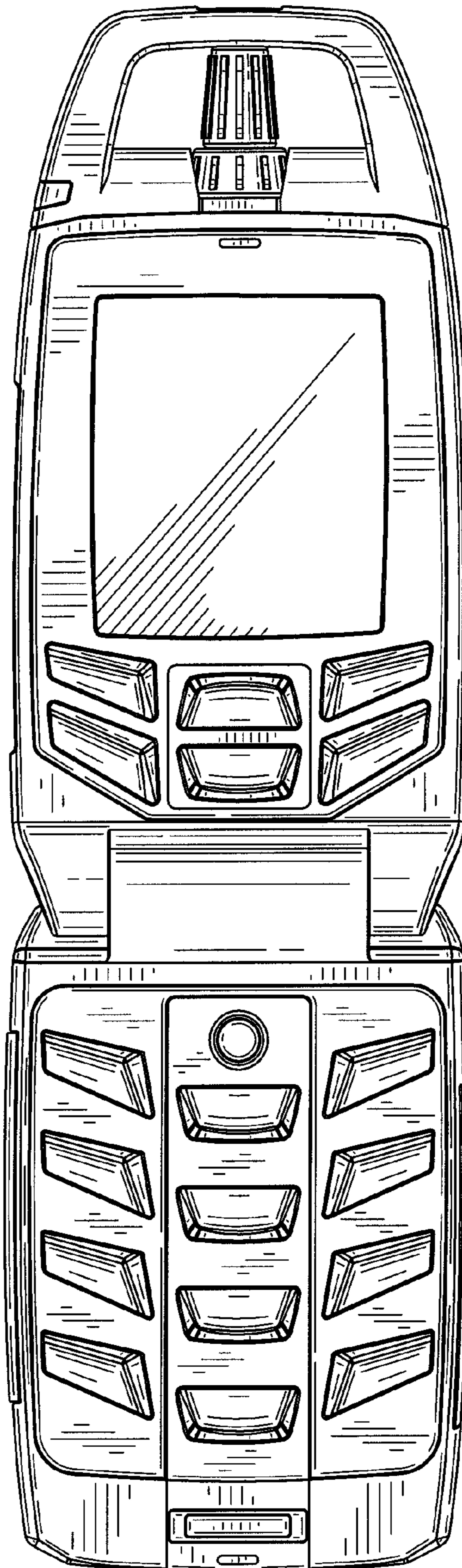


FIG. 9

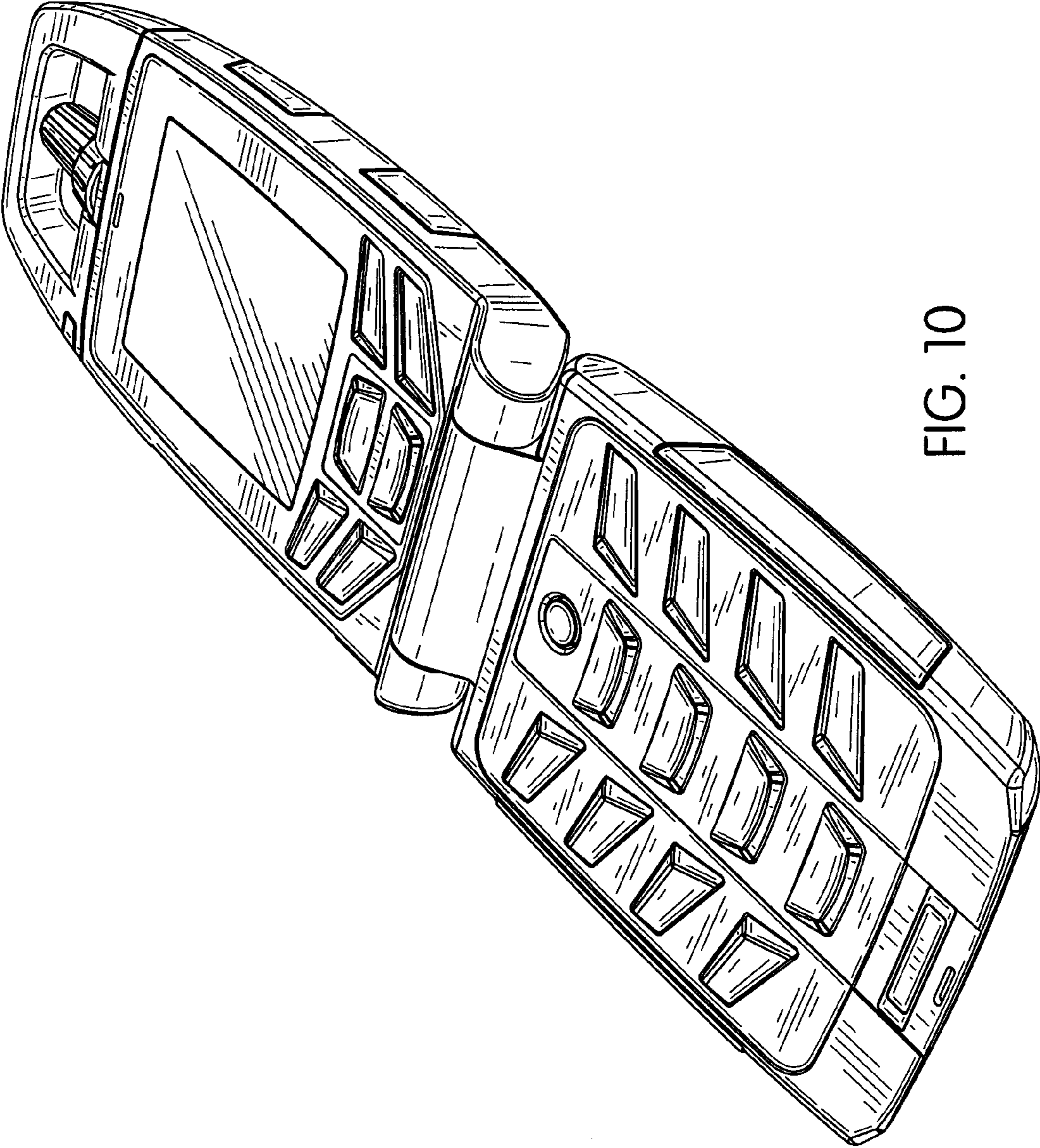


FIG. 10

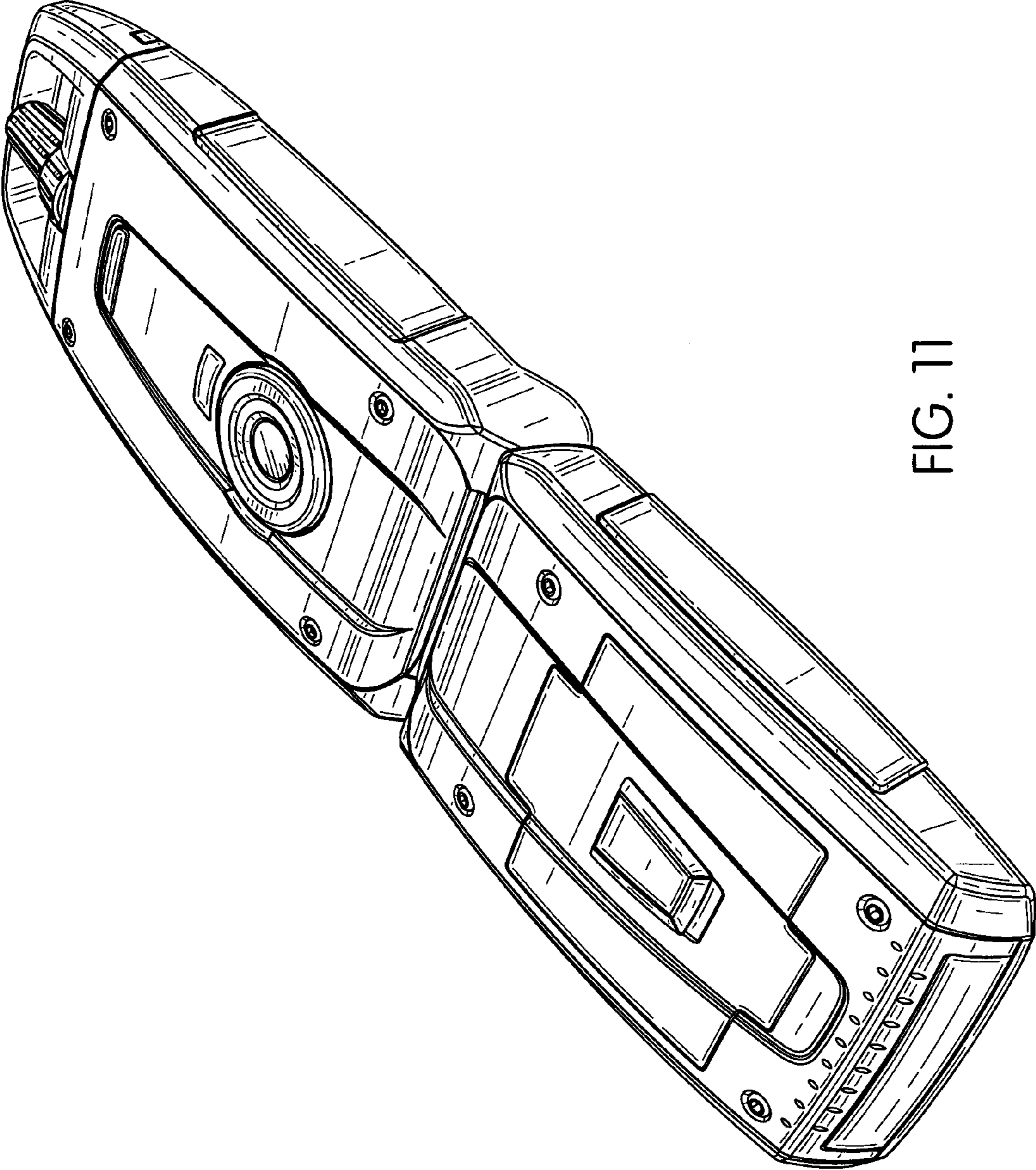


FIG. 11

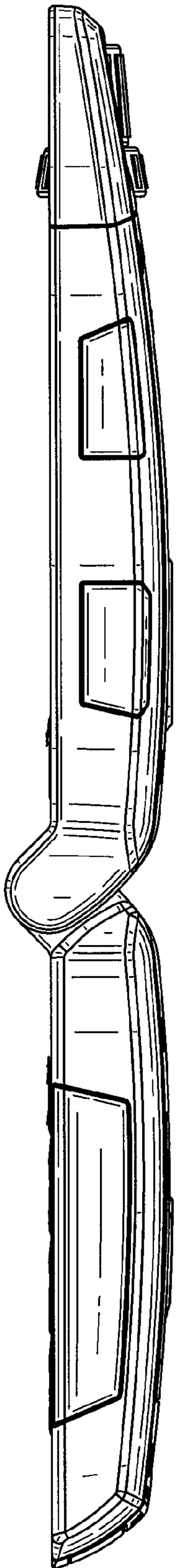


FIG. 12

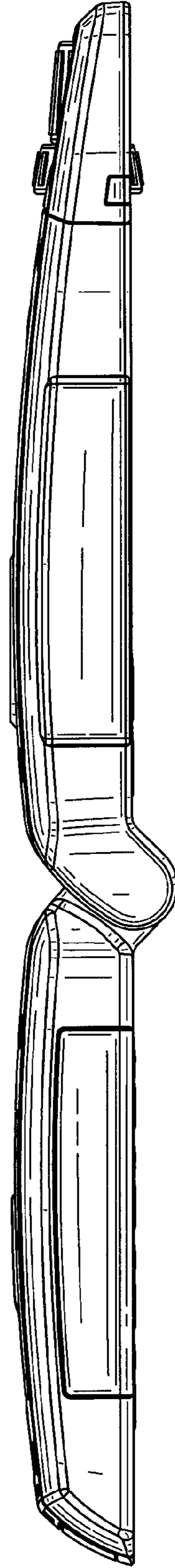


FIG. 13

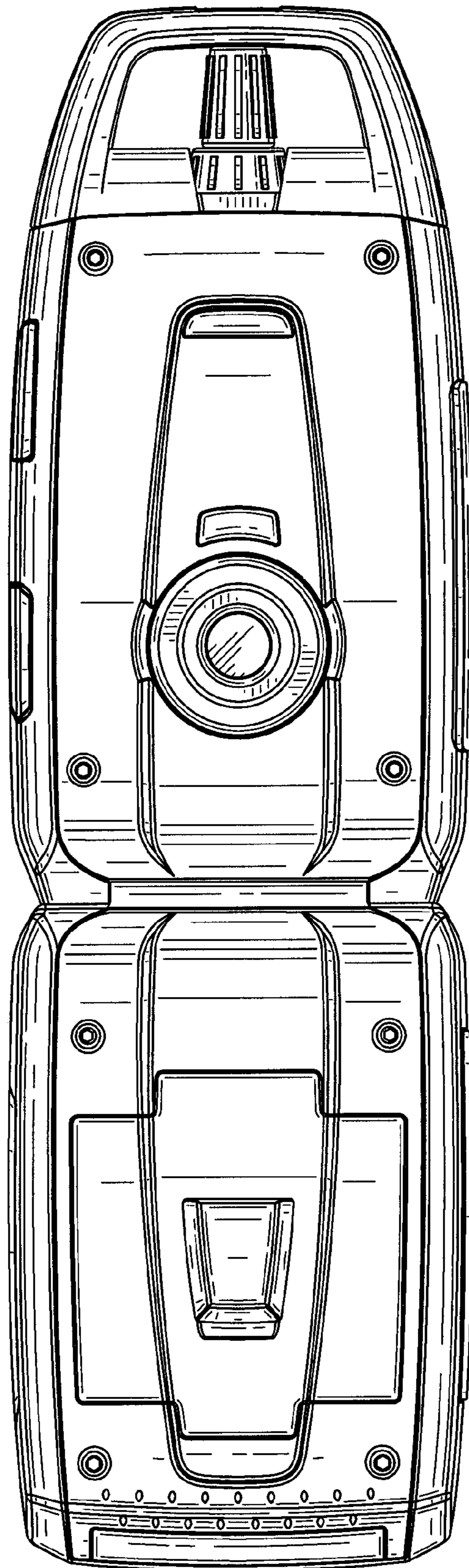


FIG. 14