



US00D569820S

(12) **United States Design Patent** (10) **Patent No.:** **US D569,820 S**  
**Rinaldi et al.** (45) **Date of Patent:** **\*\* May 27, 2008**

(54) **VIDEO-INTERCOMMUNICATION APPARATUS**

(75) Inventors: **Alessandra Rinaldi**, Florence (IT);  
**Yoko Tanabe**, Florence (JP)

(73) Assignee: **BPT S.p.A.**, Sesto Reghena (IT)

(\*\*) Term: **14 Years**

(21) Appl. No.: **29/291,598**

(22) Filed: **Sep. 6, 2007**

D298,828 S	12/1988	Miozzo	
D339,342 S *	9/1993	Chan .....	D14/149
D355,191 S	2/1995	Meurer	
5,475,741 A *	12/1995	Davis et al. ....	379/102.06
D391,254 S	2/1998	Rosati et al.	
D421,603 S *	3/2000	Meurer .....	D14/130
D437,588 S	2/2001	Jauregui et al.	
D457,866 S	5/2002	Matsui et al.	
D494,955 S	8/2004	Guerrera et al.	
D495,313 S	8/2004	Guerrera et al.	
D499,705 S *	12/2004	Guerrera et al. ....	D14/130
D500,479 S *	1/2005	Senda et al. ....	D14/130
D525,160 S *	7/2006	Kurata .....	D10/104

\* cited by examiner

**Related U.S. Application Data**

(62) Division of application No. 29/265,304, filed on Aug. 29, 2006.

*Primary Examiner*—Terry A Wallace

(74) *Attorney, Agent, or Firm*—Greer, Burns & Crain, Ltd

(30) **Foreign Application Priority Data**

Mar. 14, 2006 (IT) ..... TV2006O0008

(57) **CLAIM**

The ornamental design for video-intercommunication apparatus, as shown and described.

(51) **LOC (8) Cl.** ..... **14-03**

(52) **U.S. Cl.** ..... **D14/130**

(58) **Field of Classification Search** ..... D14/130,  
D14/147–151, 140–142, 434, 329, 330, 447,  
D14/240, 241, 251, 253; 379/420.01–420.04,  
379/419, 428.01–428.04, 454, 440, 434,  
379/435, 446; 320/110, 113–115; D13/107,  
D13/108

**DESCRIPTION**

FIG. 1 is a top perspective view of the video-intercommunication apparatus showing our new design;  
FIG. 2 is a perspective view from below thereof;  
FIG. 3 is a front view thereof;  
FIG. 4 is a right side view thereof;  
FIG. 5 is a left side view thereof;  
FIG. 6 is a plan view from above thereof; and,  
FIG. 7 is a plan view from below thereof.

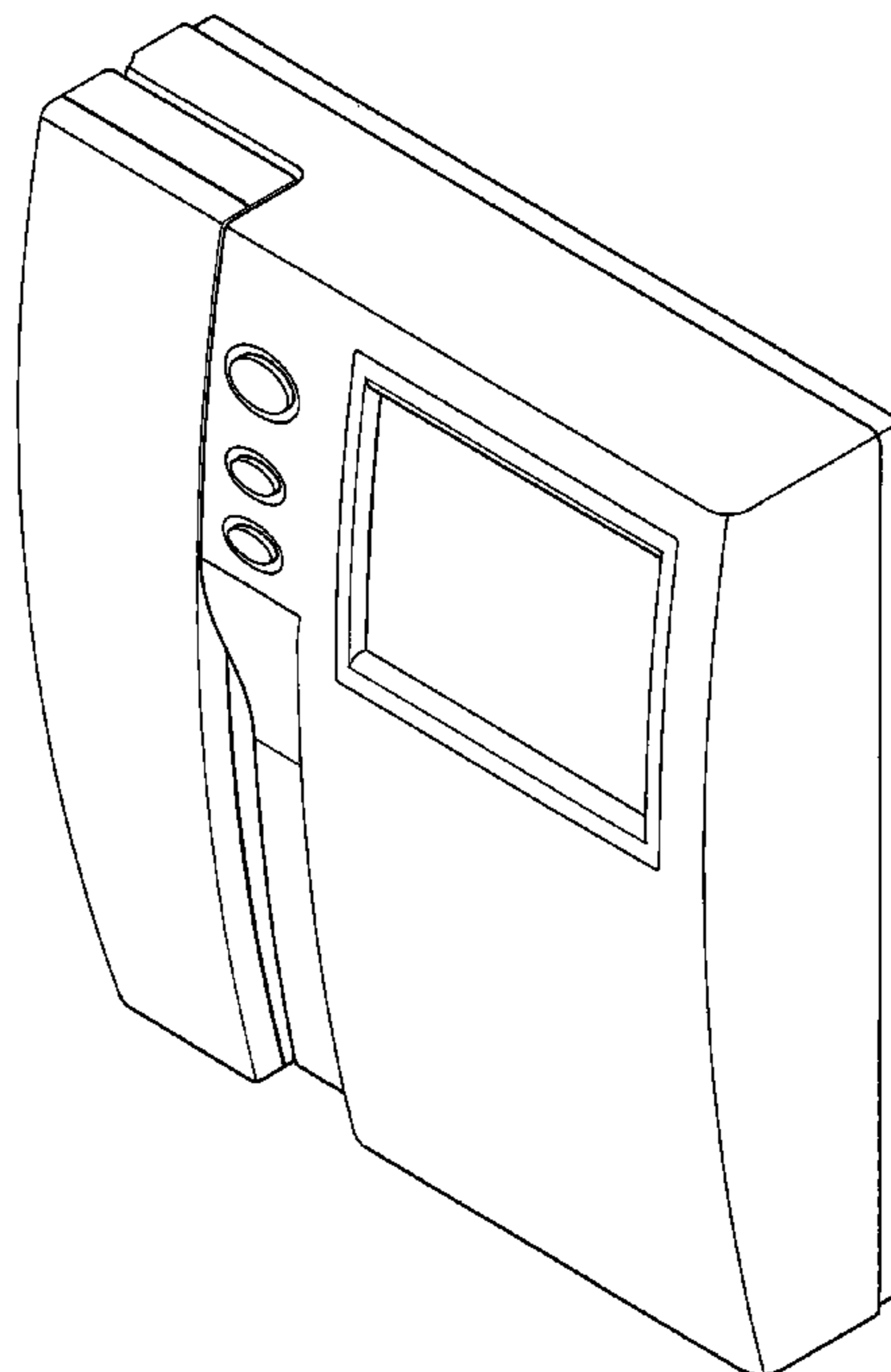
See application file for complete search history.

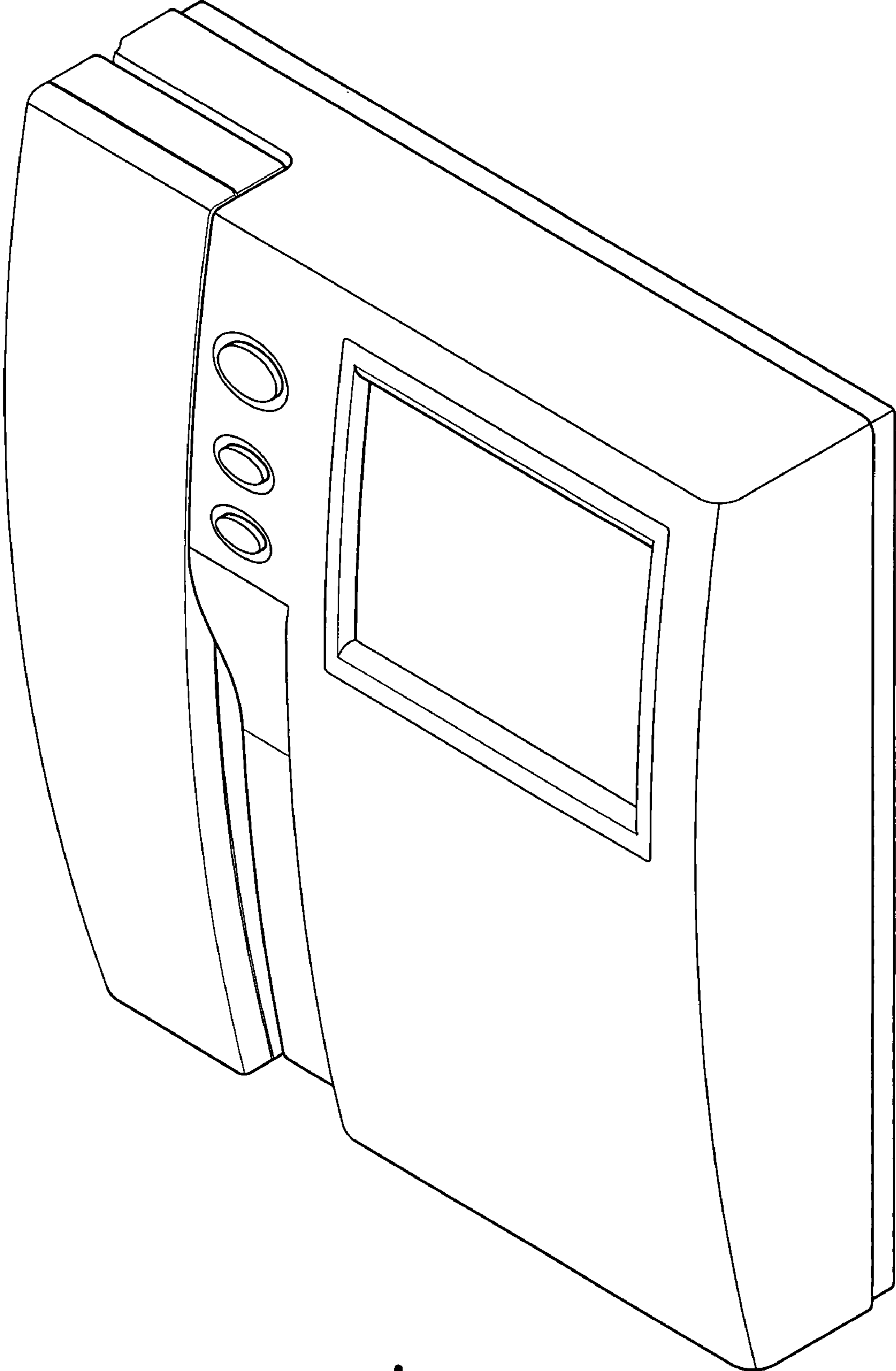
(56) **References Cited**

**U.S. PATENT DOCUMENTS**

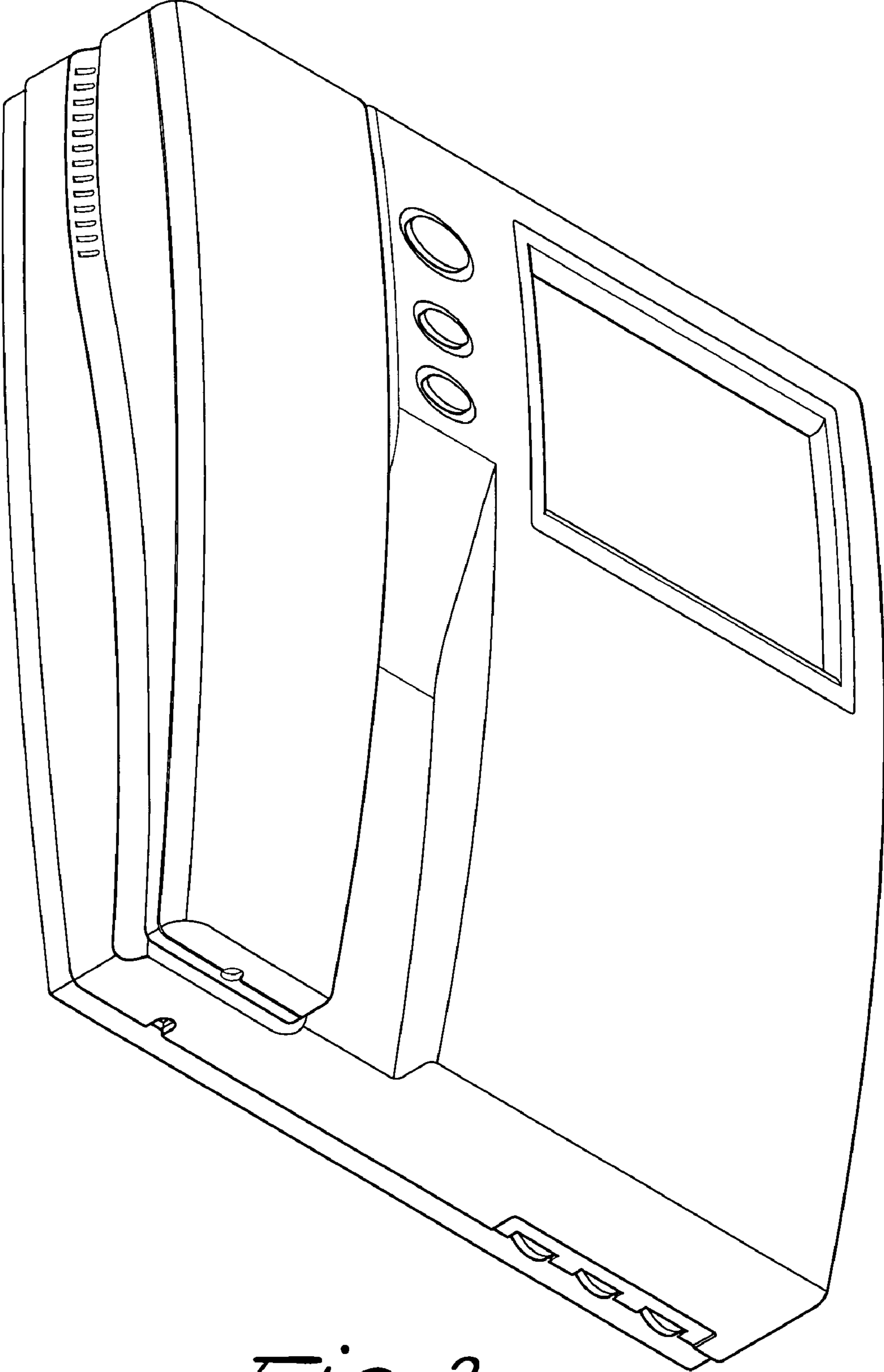
3,521,008 A	7/1970	Tyson
D246,103 S	10/1977	Taylor

**1 Claim, 5 Drawing Sheets**

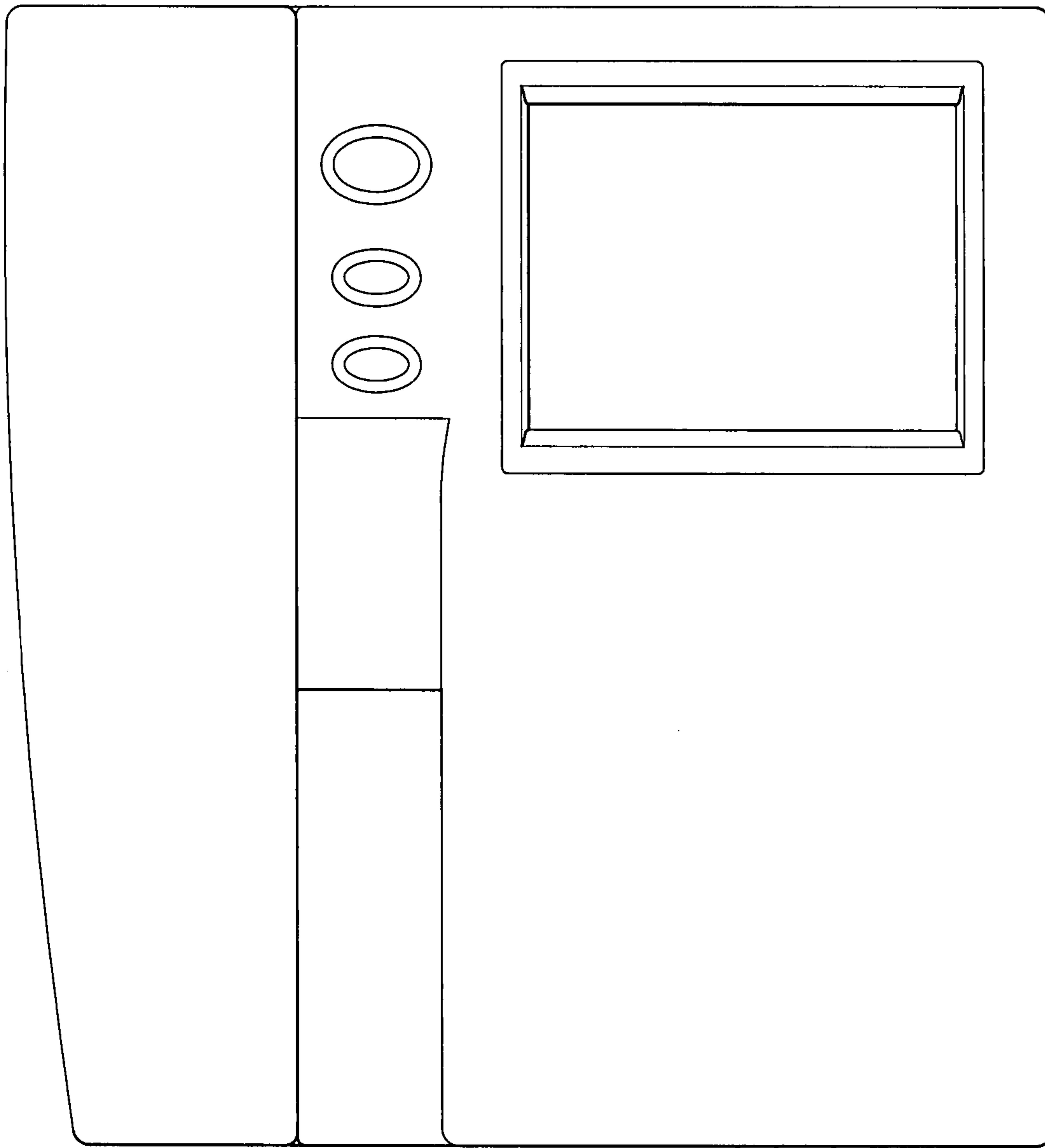




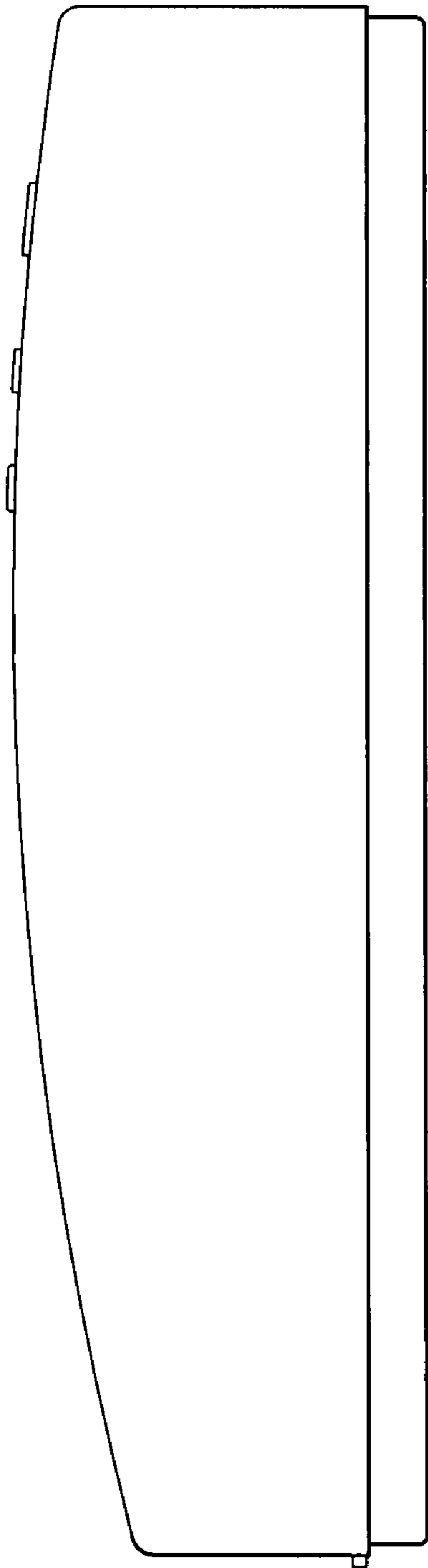
*Fig. 1*



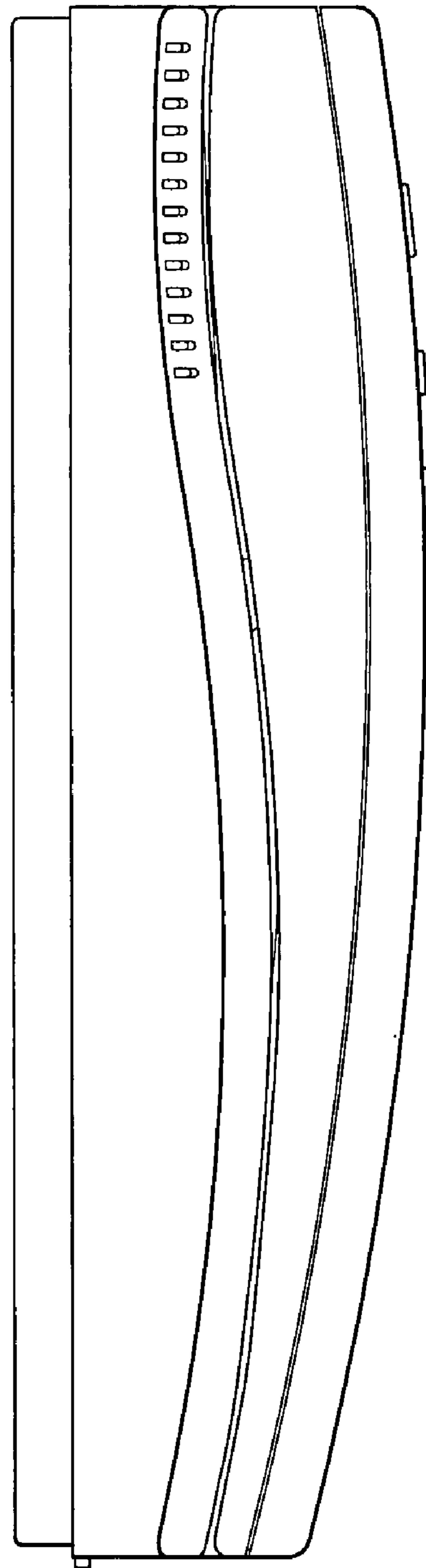
*Fig. 2*



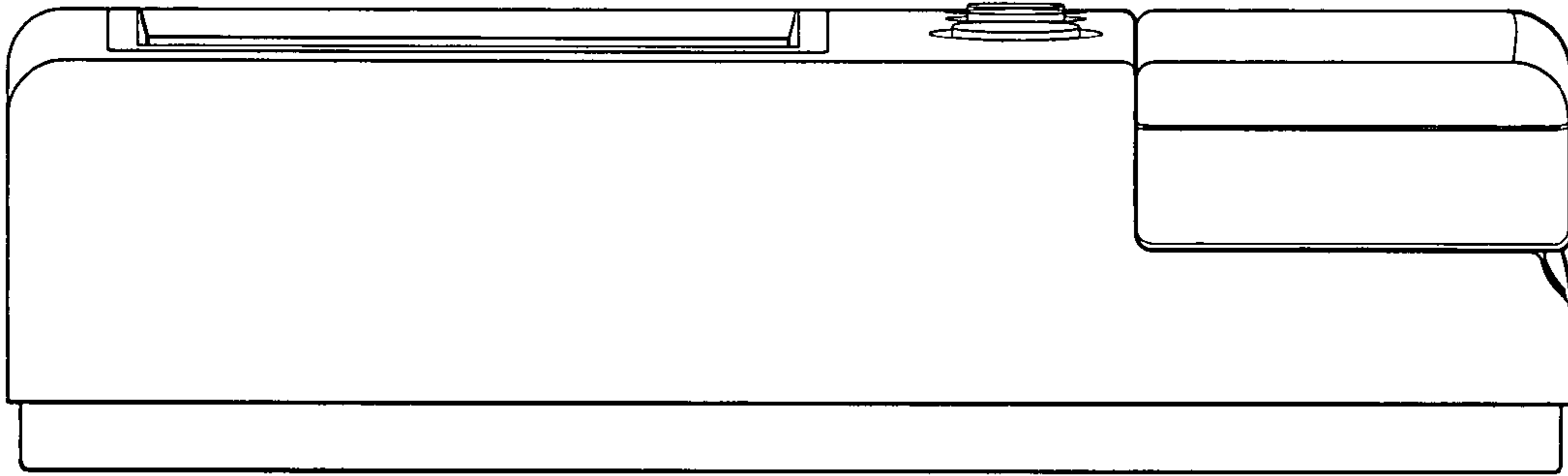
*Fig. 3*



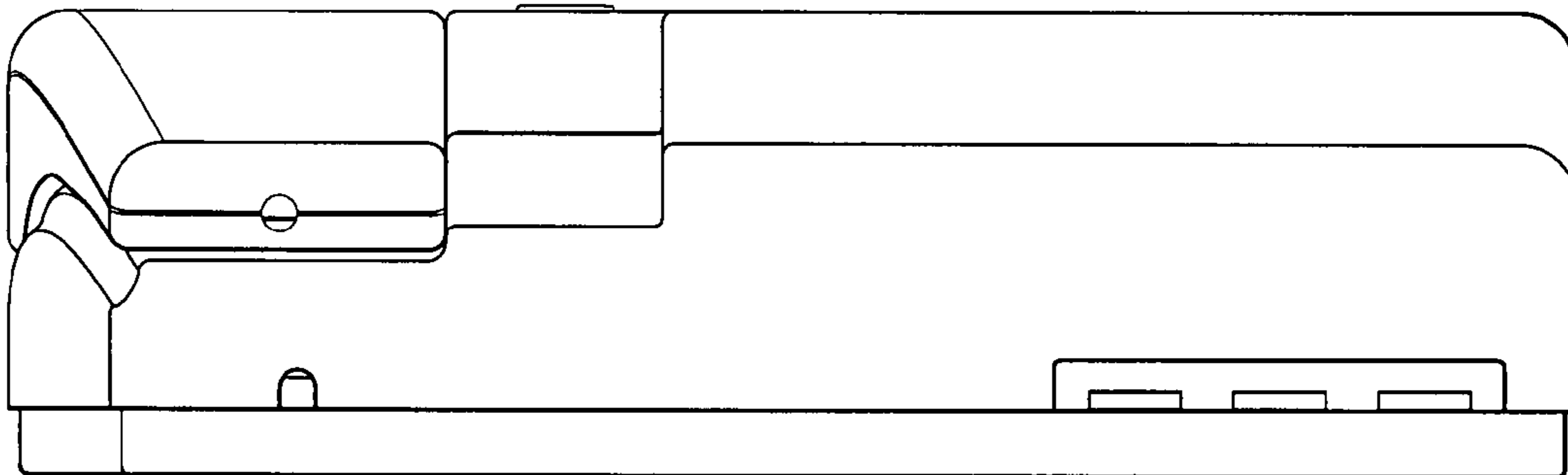
*Fig. 4*



*Fig. 5*



*Fig. 6*



*Fig. 7*

UNITED STATES PATENT AND TRADEMARK OFFICE  
**CERTIFICATE OF CORRECTION**

PATENT NO. : Des. 569,820 S  
APPLICATION NO. : 29/291598  
DATED : May 27, 2008  
INVENTOR(S) : Alessandra Rinaldi et al.

Page 1 of 1

It is certified that error appears in the above-identified patent and that said Letters Patent is hereby corrected as shown below:

Title Page, Item (30):

Under Foreign Application Priority Data, delete "TV2006O0008" and insert  
--TV20060000008--

Signed and Sealed this

Eleventh Day of November, 2008

A handwritten signature in black ink that reads "Jon W. Dudas". The signature is written in a cursive style with a large, looped initial "J".

JON W. DUDAS

*Director of the United States Patent and Trademark Office*