

US00D569818S

(12) **United States Design Patent**
Kim et al.

(10) **Patent No.:** **US D569,818 S**

(45) **Date of Patent:** **** *May 27, 2008**

(54) **TELEVISION RECEIVER**

D539,246 S * 3/2007 Fujiki D14/128
D545,788 S * 7/2007 Park et al. D14/128
D551,194 S * 9/2007 Kim et al. D14/128

(75) Inventors: **Kyoung-Hoon Kim**, Seoul (KR);
Young-Sun Shin, Seoul (KR);
Jae-Beom Park, Seoul (KR)

OTHER PUBLICATIONS

(73) Assignee: **Samsung Electronics Co., Ltd.**, Suwon,
Kyunggi-Do (KR)

U.S. Appl. No. 29/228,541, Applicant: Young-Sun Shin, et al., filed
Apr. 25, 2005 entitled Television.

U.S. Appl. No. 29/264,718, Applicant: Young-Sun Shin, et al., filed
Apr. 16, 2006 entitled Television Receiver.

(*) Notice: This patent is subject to a terminal dis-
claimer.

U.S. Appl. No. 29/271,974, Applicant: Kyoung-Hoon Kim, et al.,
filed Jan. 30, 2007 entitled Television Receiver.

(**) Term: **14 Years**

* cited by examiner

(21) Appl. No.: **29/271,981**

Primary Examiner—Raphael Barkai

(22) Filed: **Jan. 30, 2007**

(74) *Attorney, Agent, or Firm*—Flynn, Thiel, Boutell & Tanis,
P.C.

(51) **LOC (8) Cl.** **14-03**

(57) **CLAIM**

(52) **U.S. Cl.** **D14/128**

The ornamental design for a a television receiver, as shown
and described.

(58) **Field of Classification Search** D14/125–134,
D14/239, 371, 136, 374–377; 312/7.2; 348/836,
348/838, 180, 184, 325, 739; 341/12; 248/917–924,
248/465; 345/104, 133, 156, 168, 87, 173;
720/605, 669, 600, 655; 369/99, 197; 455/344–347
See application file for complete search history.

DESCRIPTION

(56) **References Cited**

FIG. 1 is a top front perspective view of a a television receiver
showing our new design;

FIG. 2 is a front elevational view thereof;

FIG. 3 is a rear elevational view thereof;

FIG. 4 is a left side elevational view thereof;

FIG. 5 is a right side elevational view thereof;

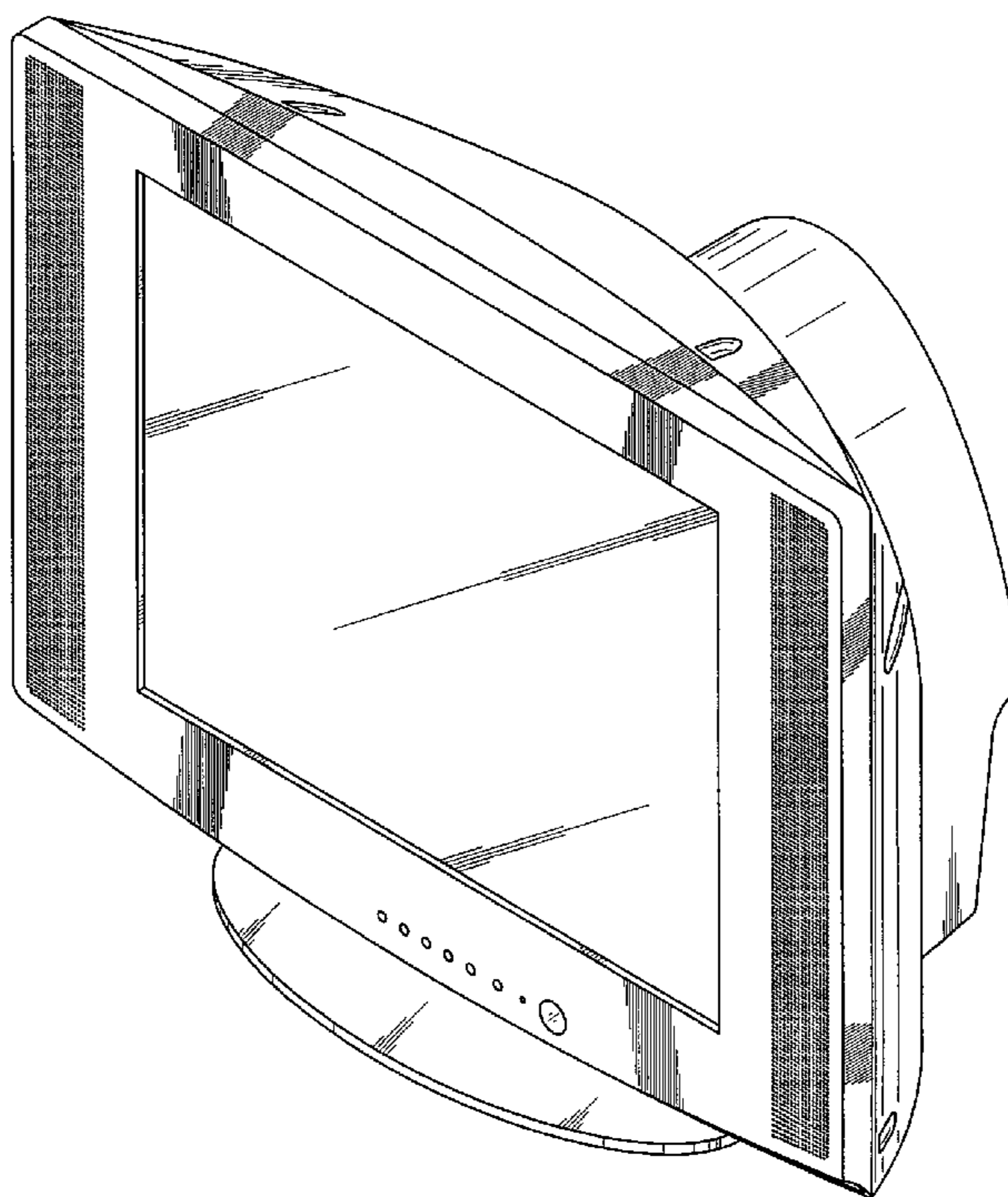
FIG. 6 is a top plan view thereof; and,

FIG. 7 is a bottom plan view thereof.

U.S. PATENT DOCUMENTS

D337,580 S 7/1993 Koo
D339,334 S 9/1993 Koo
D352,940 S * 11/1994 Kazama D14/126
D354,282 S 1/1995 Koo et al.
D425,502 S * 5/2000 Renk et al. D14/126
D511,754 S * 11/2005 Hirano D14/128

1 Claim, 4 Drawing Sheets



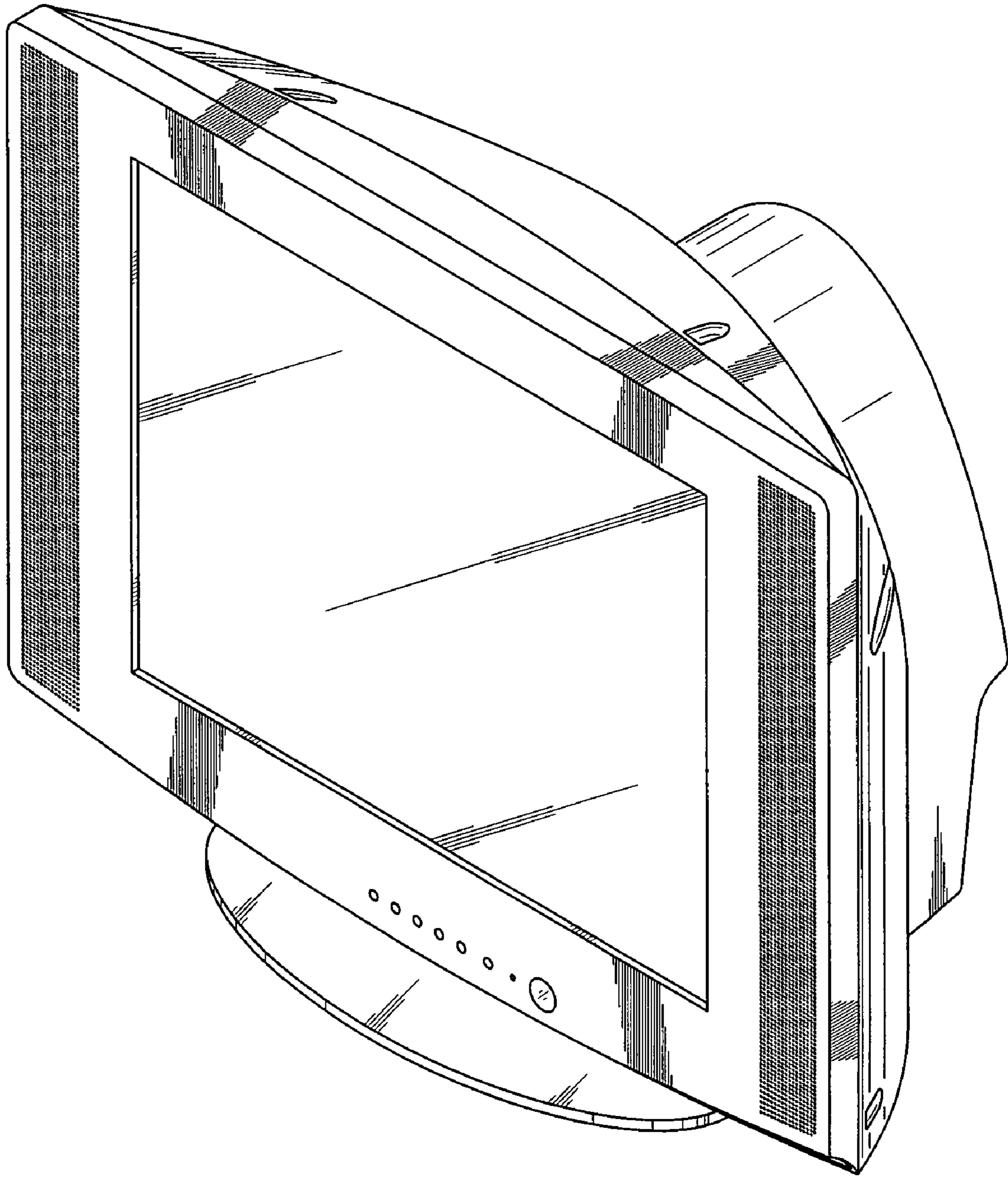


FIG. 1

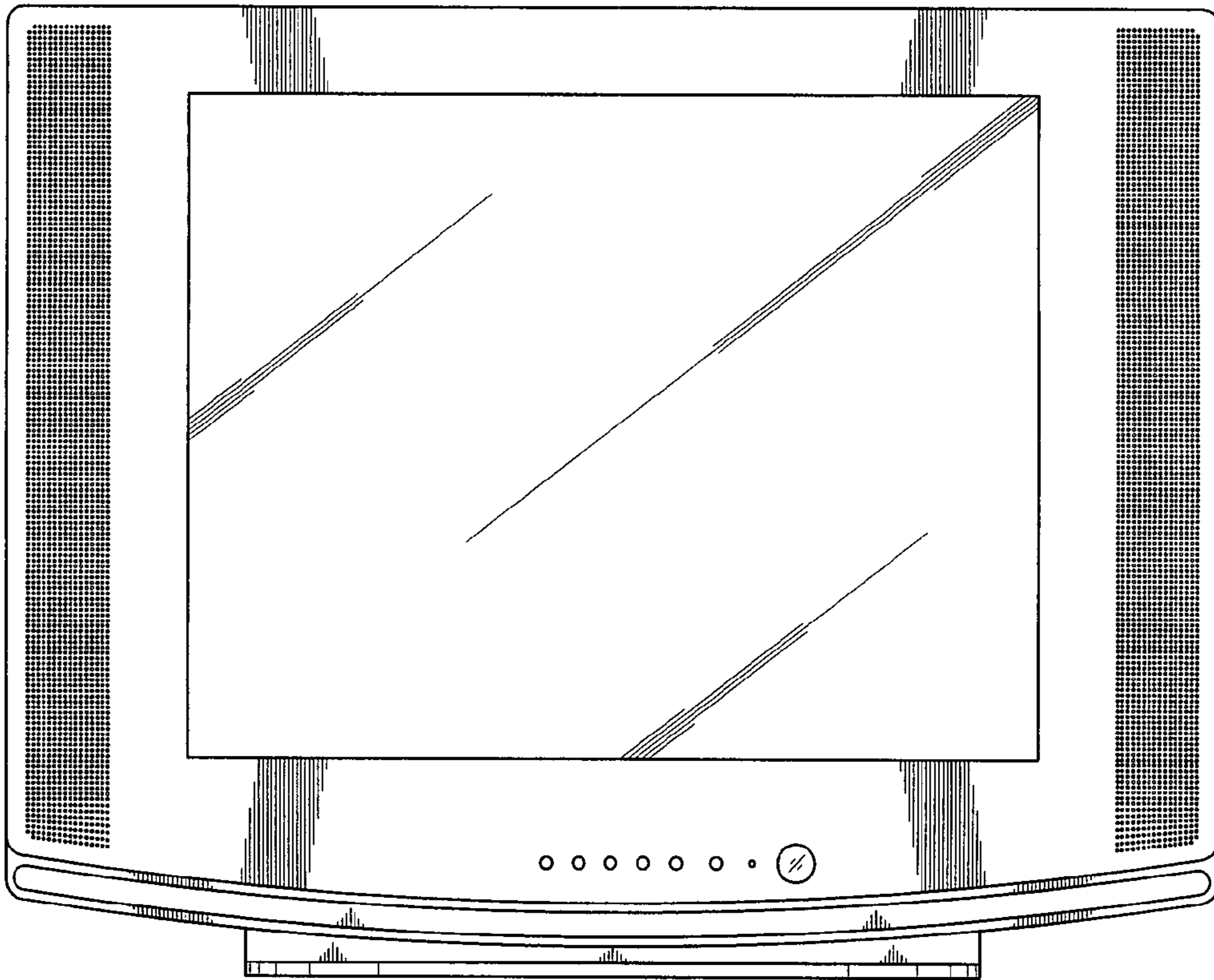


FIG. 2

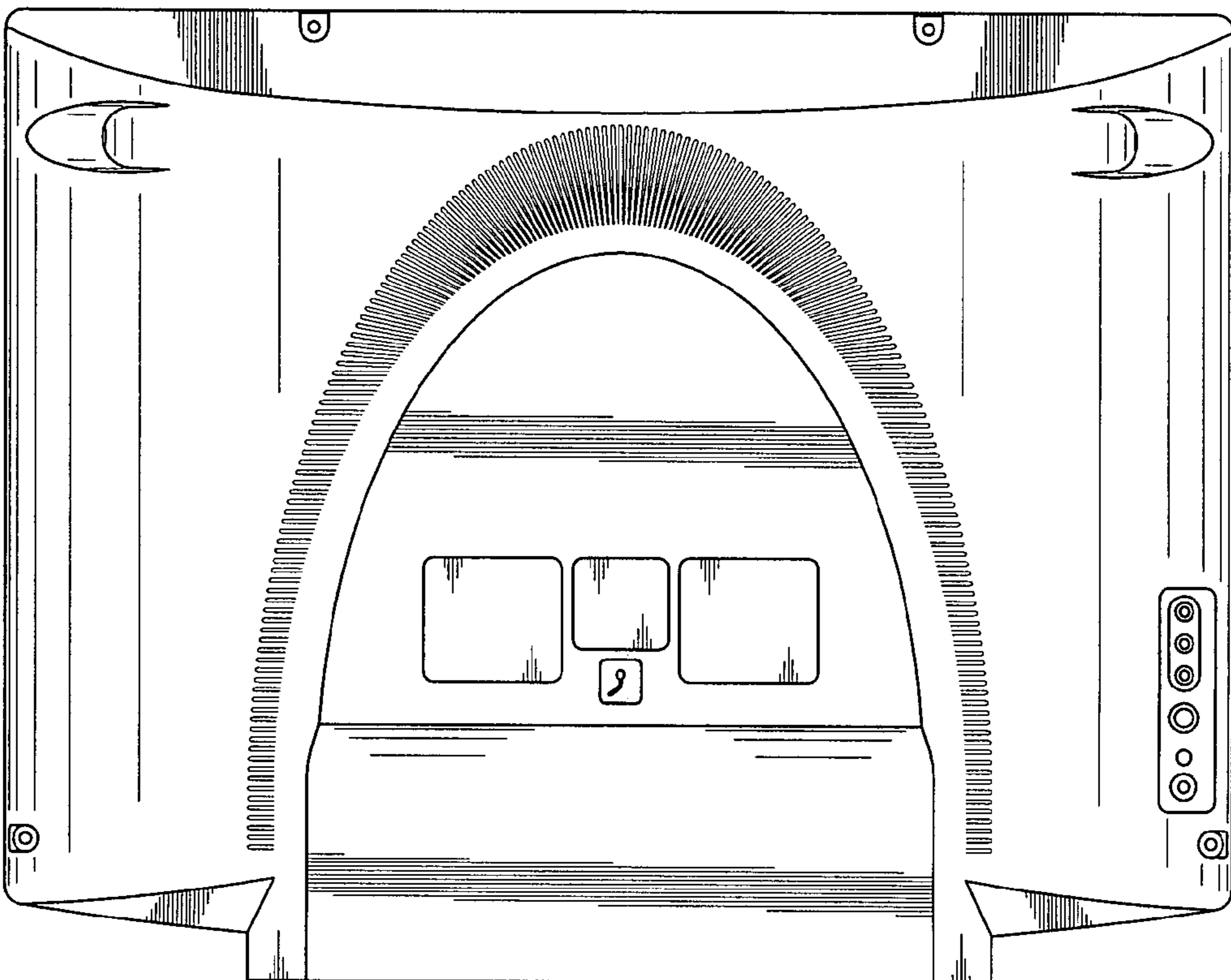


FIG. 3

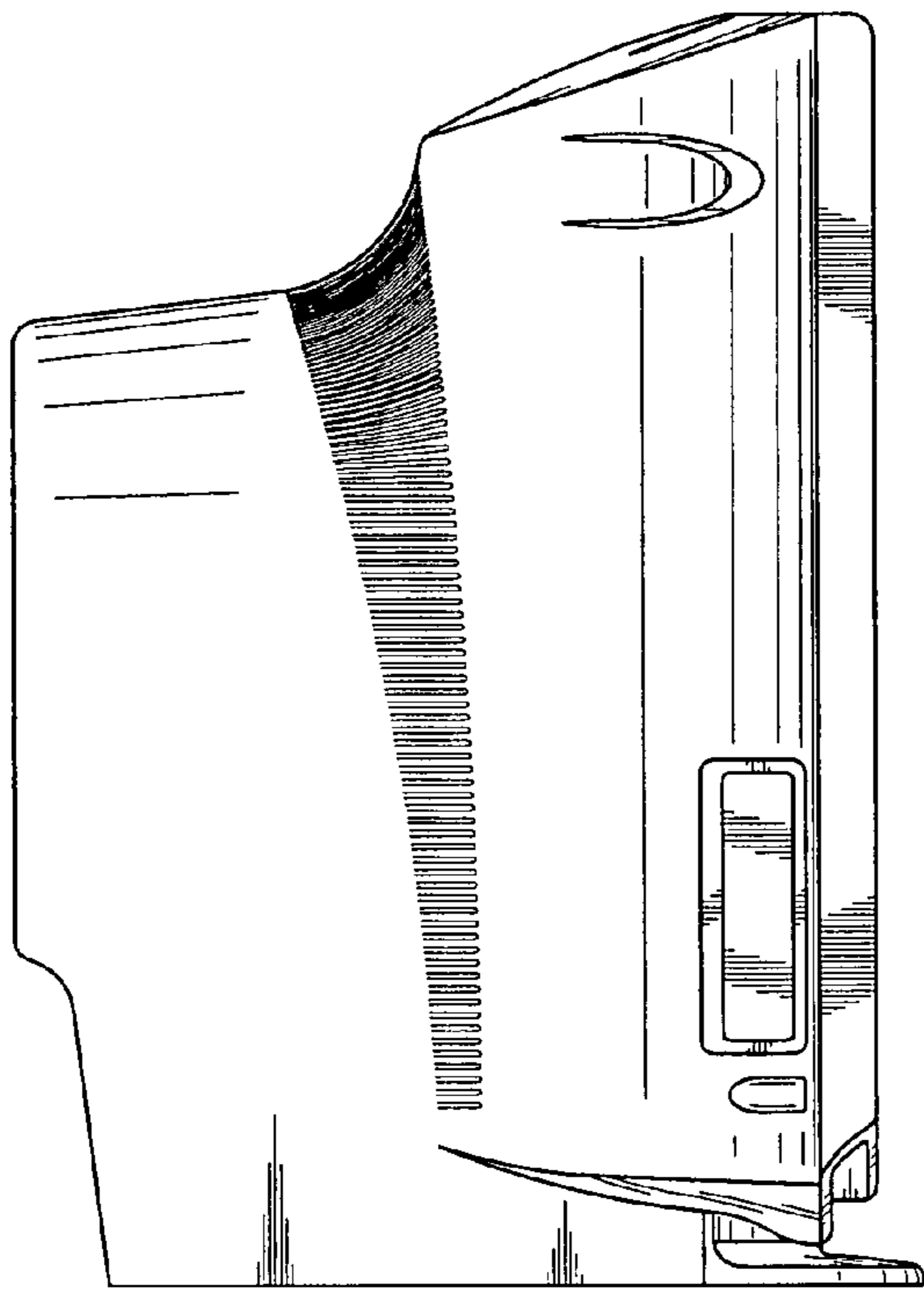


FIG. 4

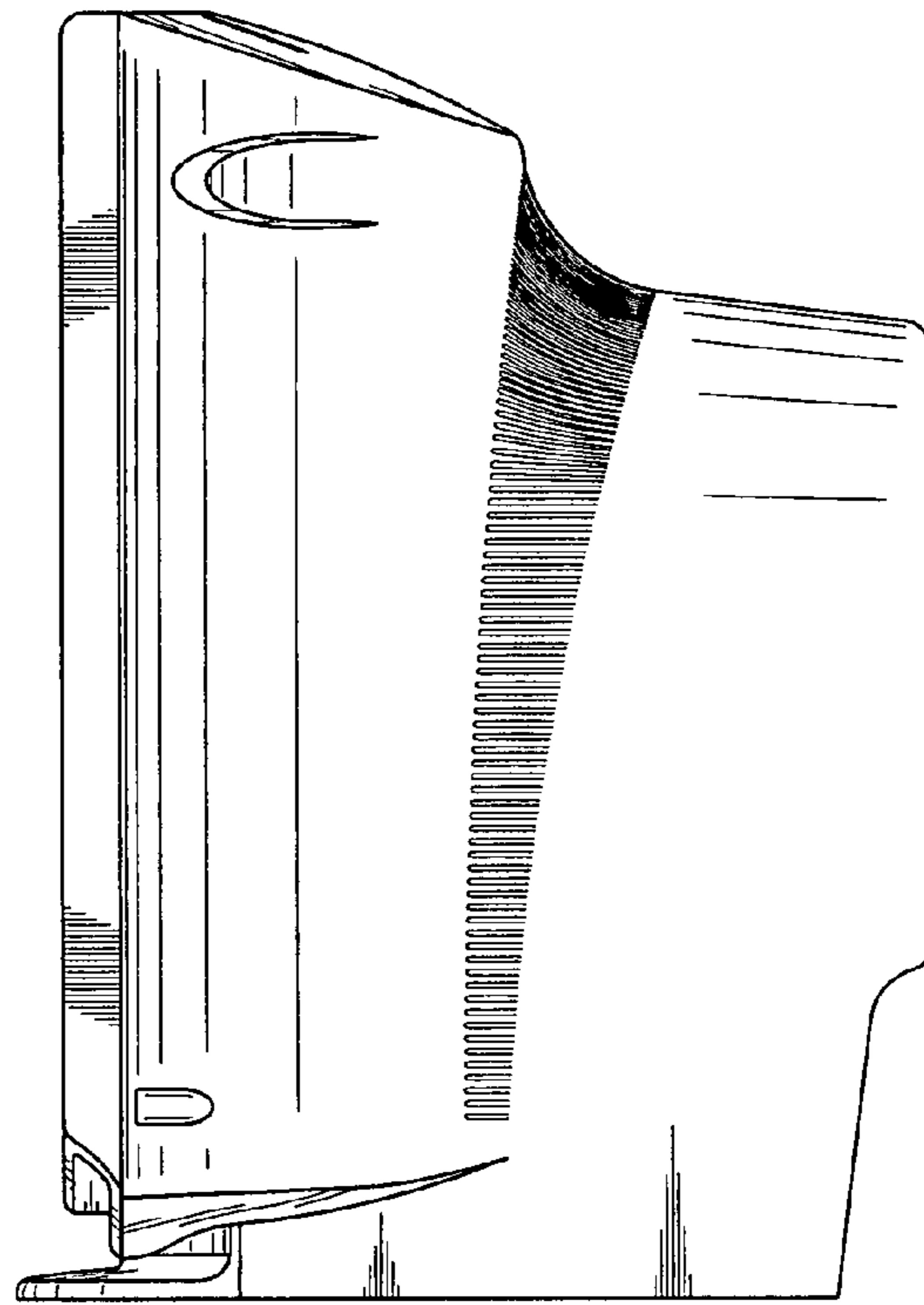


FIG. 5

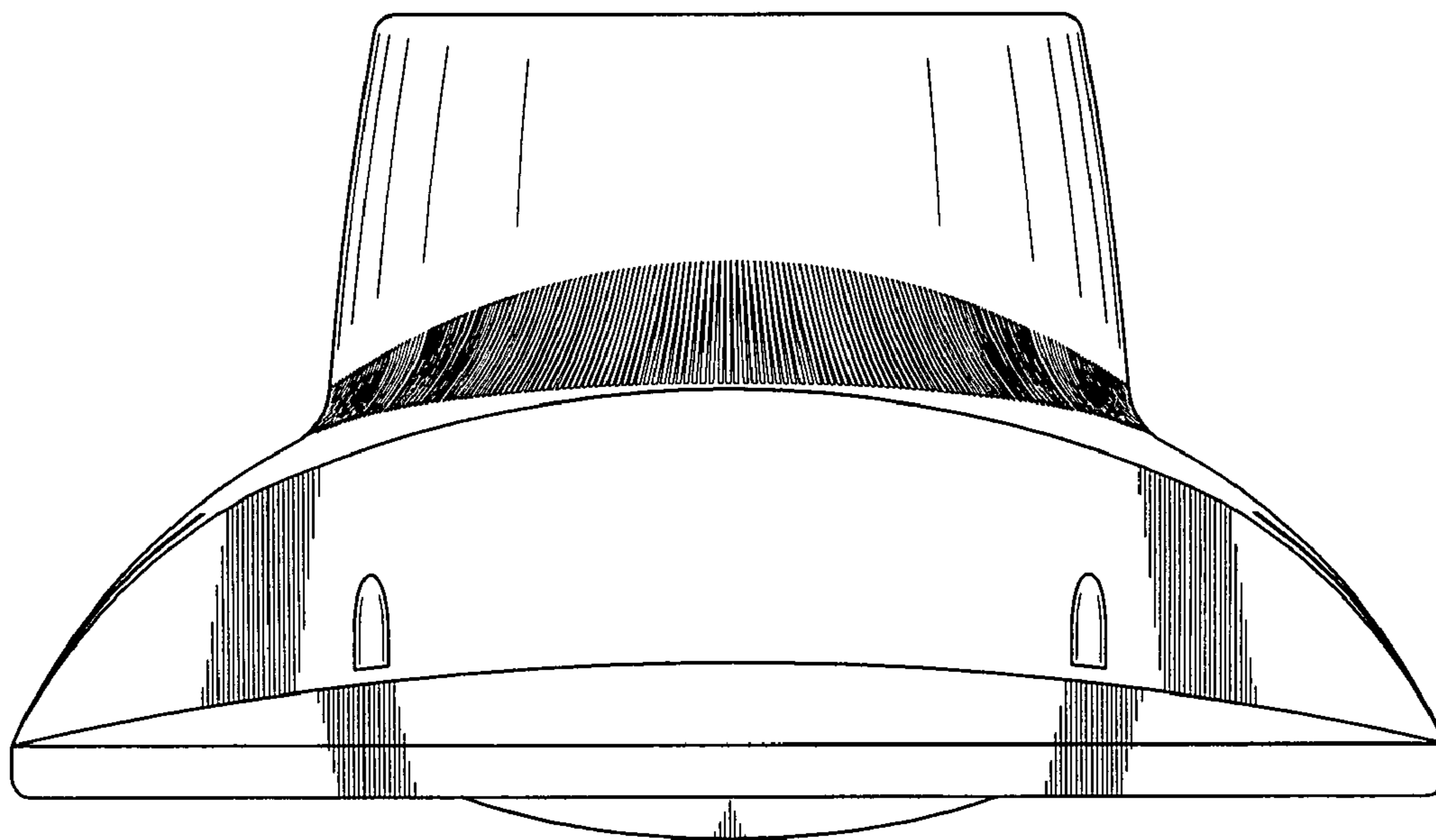


FIG. 6

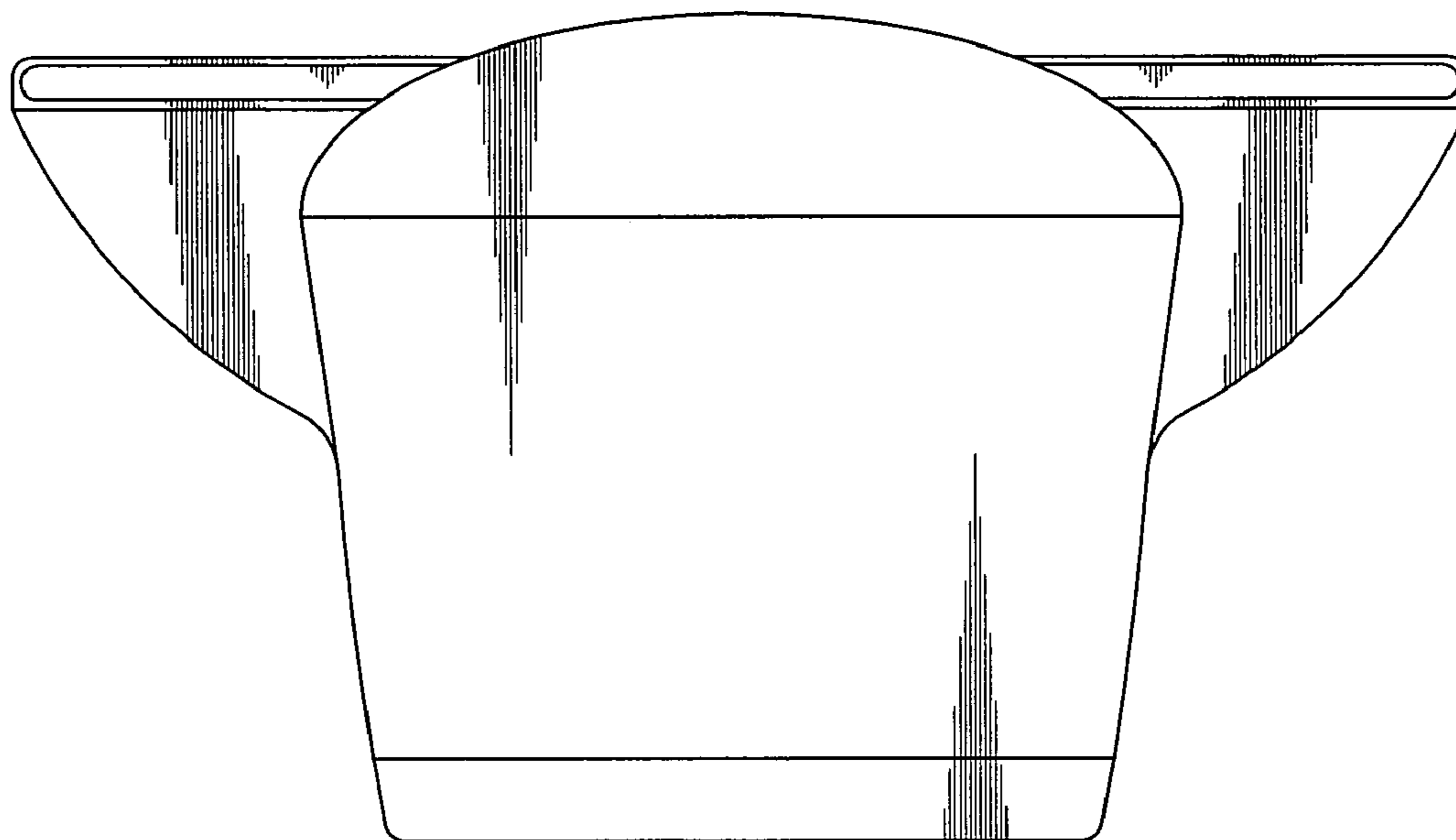


FIG. 7