



US00D569815S

(12) **United States Design Patent**
Otani

(10) **Patent No.:** **US D569,815 S**

(45) **Date of Patent:** **** May 27, 2008**

(54) **TELEVISION RECEIVER**

(75) Inventor: **Yusuke Otani**, Tokyo (JP)

(73) Assignee: **Sony Corporation**, Tokyo (JP)

(**) Term: **14 Years**

(21) Appl. No.: **29/271,635**

(22) Filed: **Jan. 24, 2007**

(51) **LOC (8) Cl.** **14-03**

(52) **U.S. Cl.** **D14/126**

(58) **Field of Classification Search** D14/125-134,
D14/239, 371, 136, 374-377; 312/7.2; 348/836,
348/838, 180, 184, 325, 739; 341/12; 248/917-924,
248/465, 123.11; 345/104, 133, 156, 168,
345/87, 173, 169; 349/1, 2, 11, 62; 720/605,
720/669, 600, 655, 99, 197; 455/344-347;
369/99, 197

See application file for complete search history.

(56) **References Cited**

U.S. PATENT DOCUMENTS

- D350,743 S * 9/1994 Hicks et al. D14/130
- D428,415 S * 7/2000 Shibata D14/126
- D454,845 S 3/2002 Niitsu
- D513,001 S * 12/2005 Jiang et al. D14/371
- D523,828 S * 6/2006 Hoehn et al. D14/126

- D524,312 S * 7/2006 Young D14/375
- D535,630 S 1/2007 Yokota
- D545,782 S * 7/2007 Schiller et al. D14/126
- D546,300 S * 7/2007 Yokota D14/126
- D547,279 S * 7/2007 Yokota D14/126

* cited by examiner

Primary Examiner—Raphael Barkai

Assistant Examiner—Randall H Gholson

(74) *Attorney, Agent, or Firm*—Rader, Fishman & Grauer, PLLC

(57) **CLAIM**

The ornamental design for a television receiver, as shown.

DESCRIPTION

FIG. 1 is a perspective view of a television receiver showing my new design;

FIG. 2 is a front elevational view thereof;

FIG. 3 is a rear elevational view thereof;

FIG. 4 is a left side elevational view thereof;

FIG. 5 is a right side elevational view thereof;

FIG. 6 is a top plan view thereof; and,

FIG. 7 is a bottom plan view thereof.

1 Claim, 7 Drawing Sheets

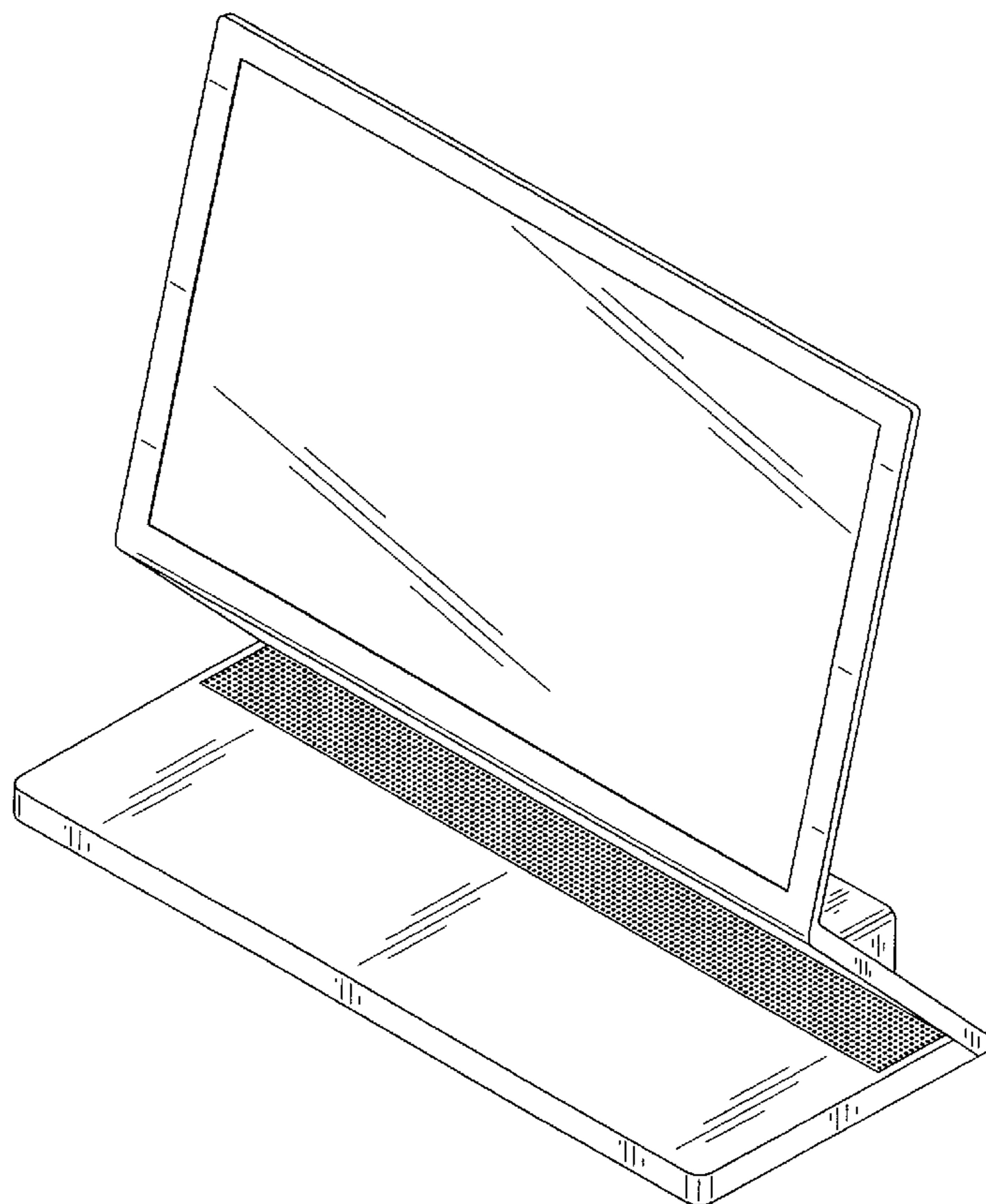


Fig. 1

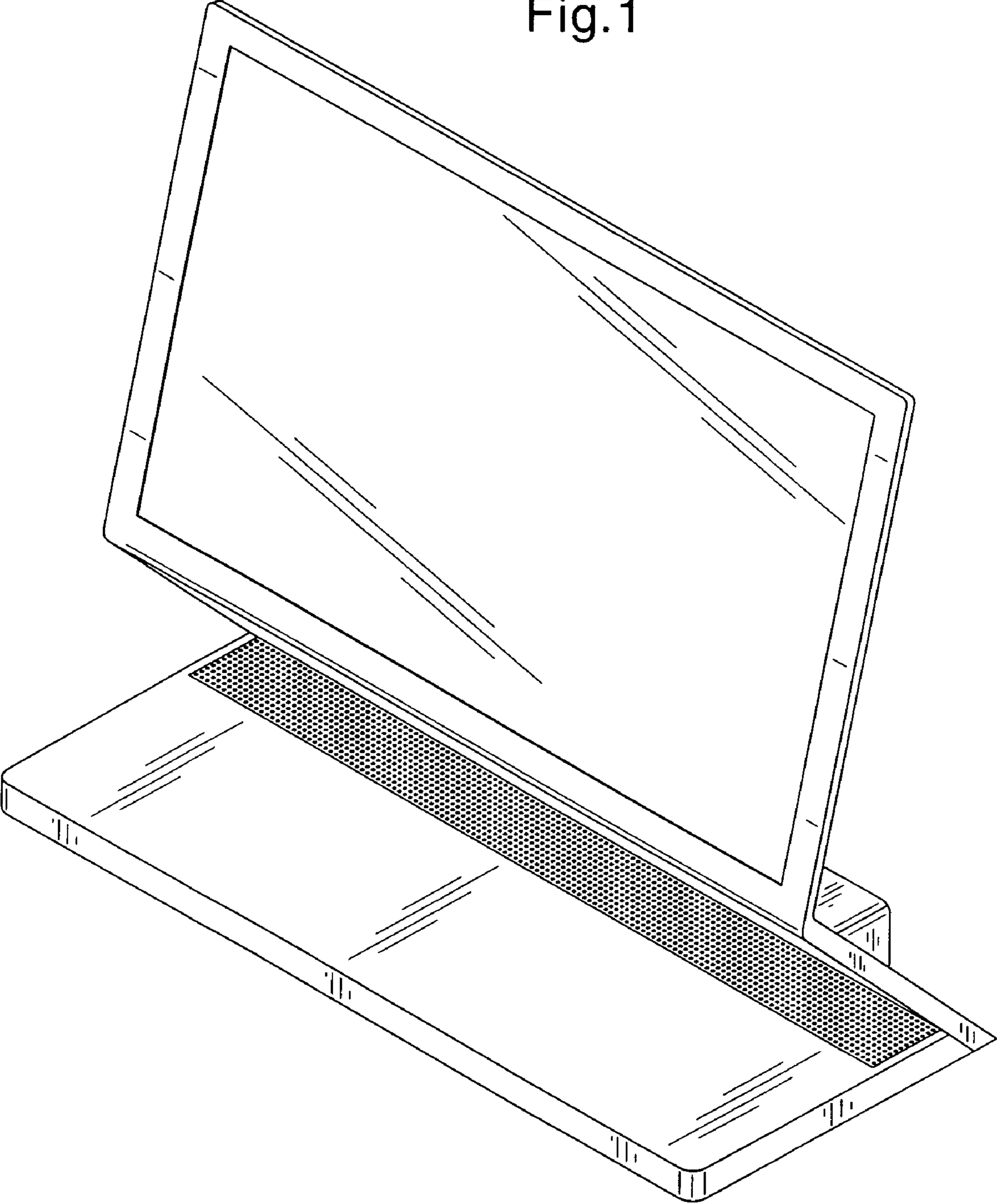


Fig.2

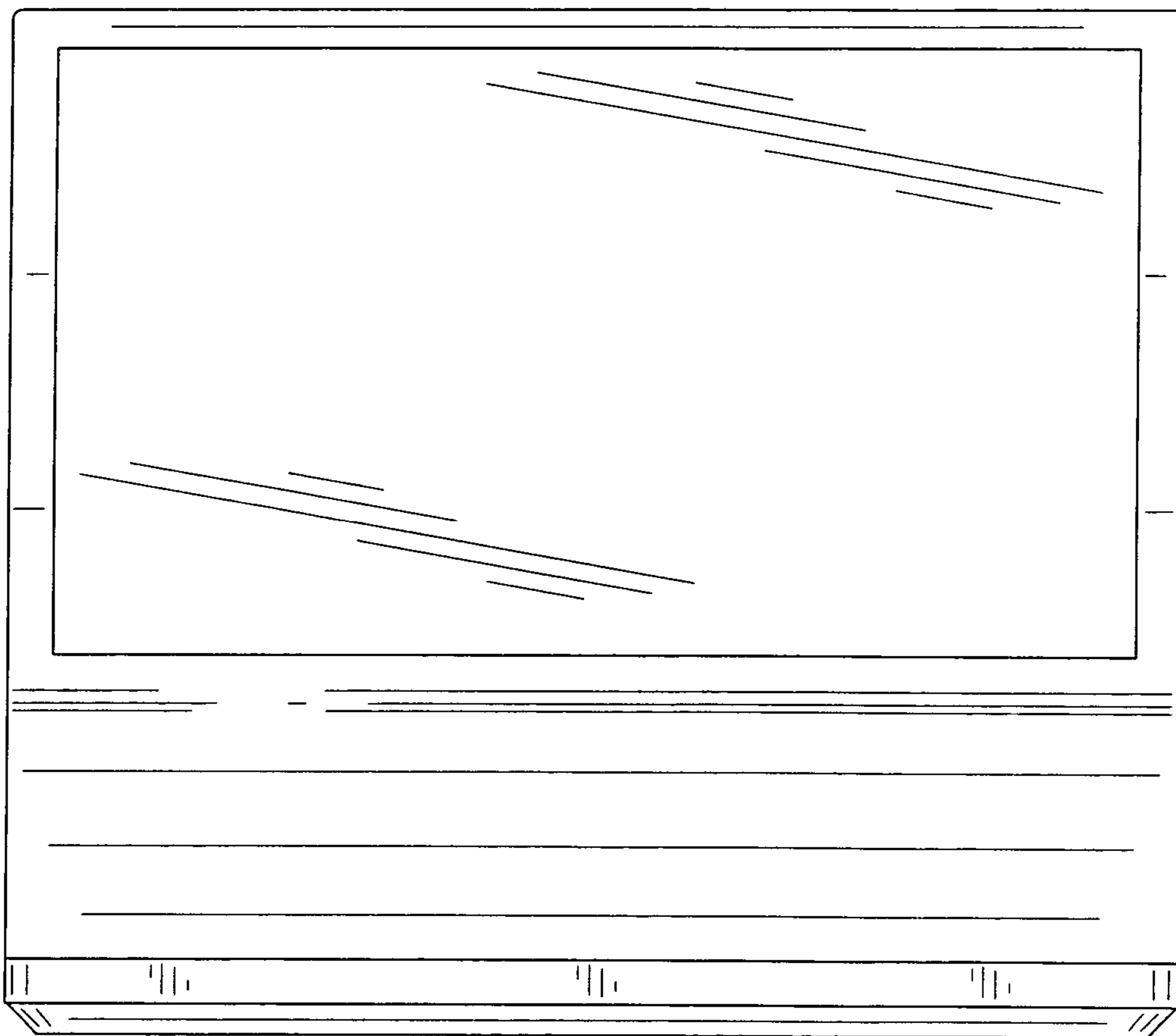


Fig.3

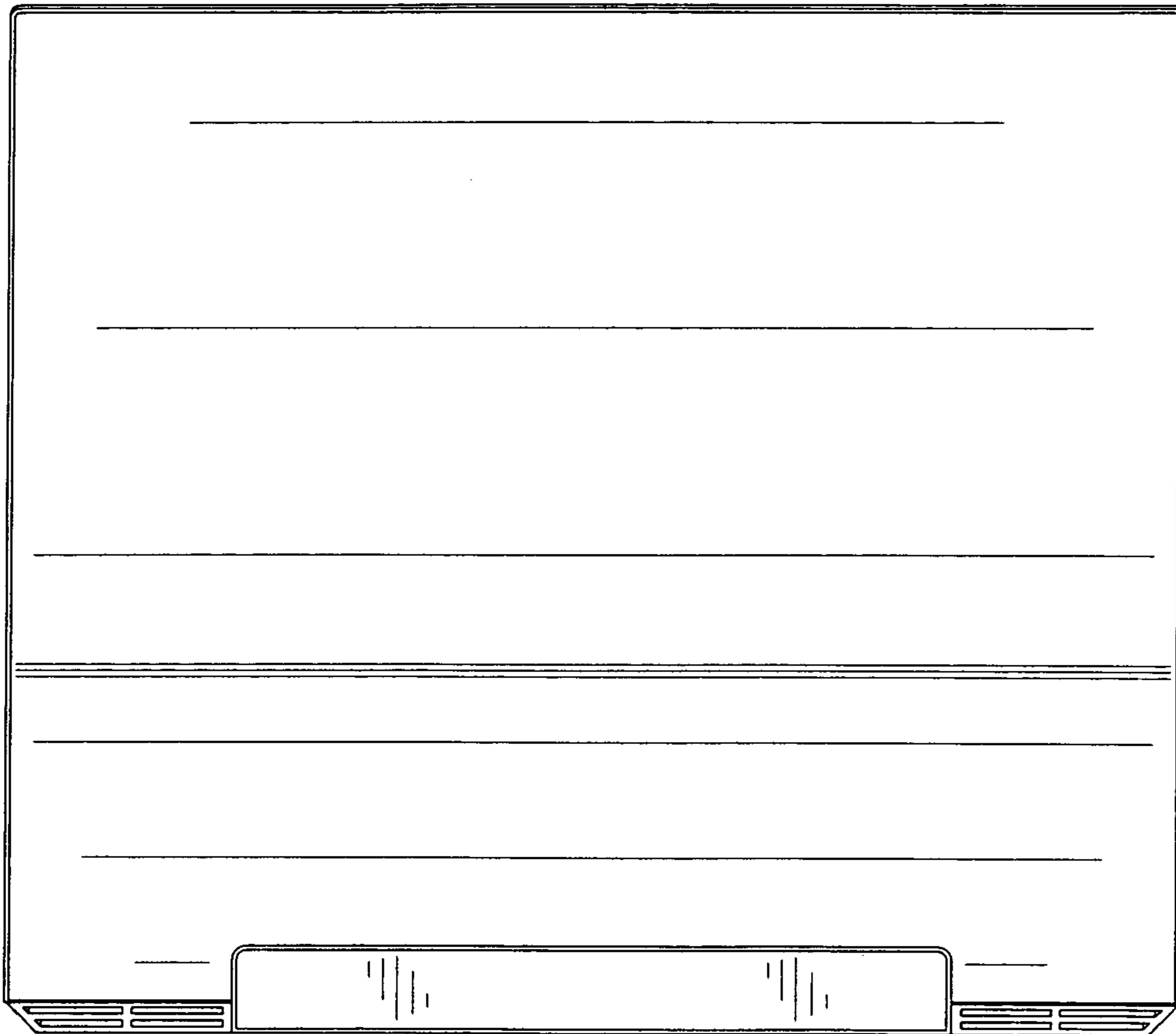


Fig.4

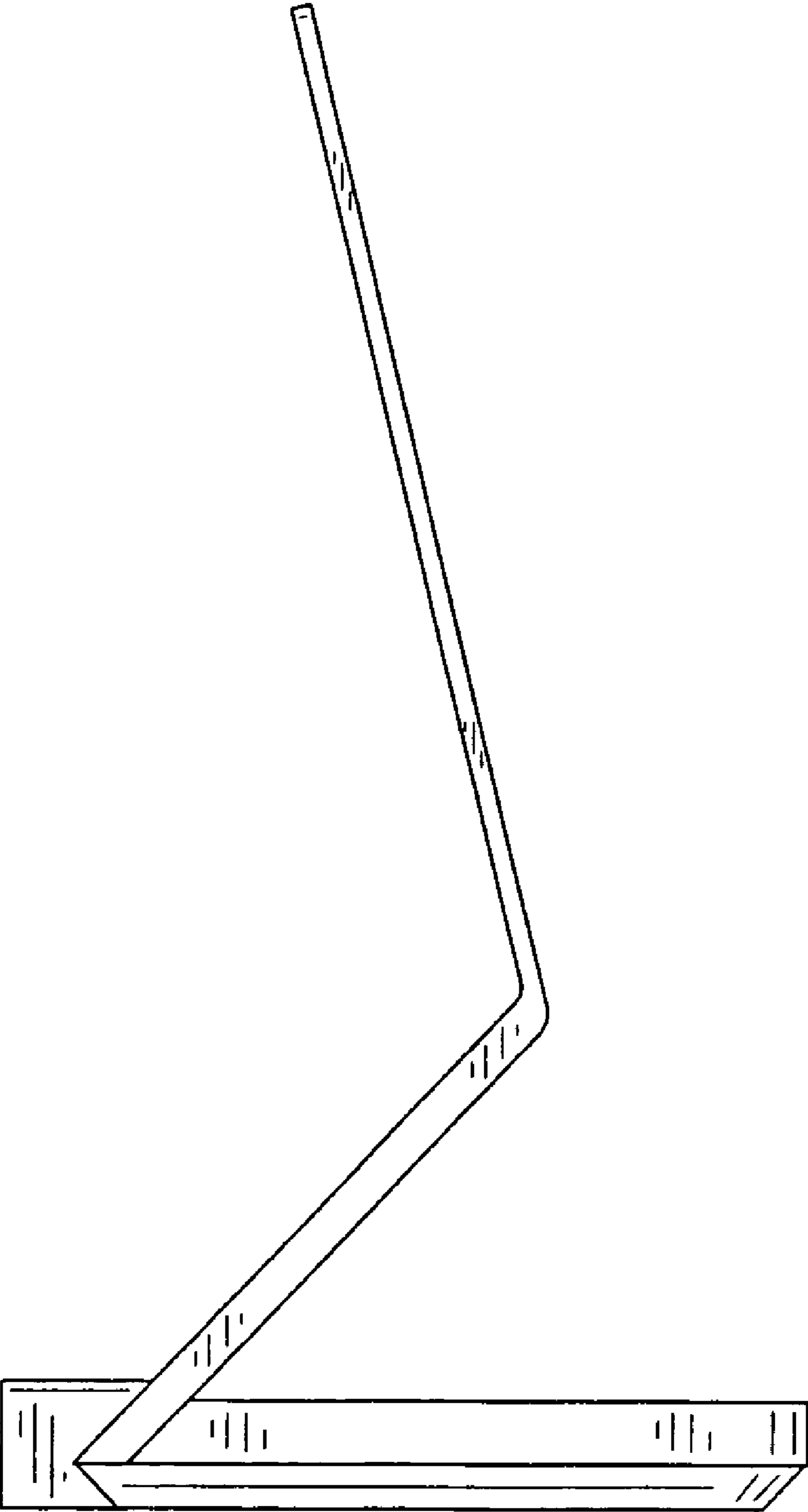


Fig.5

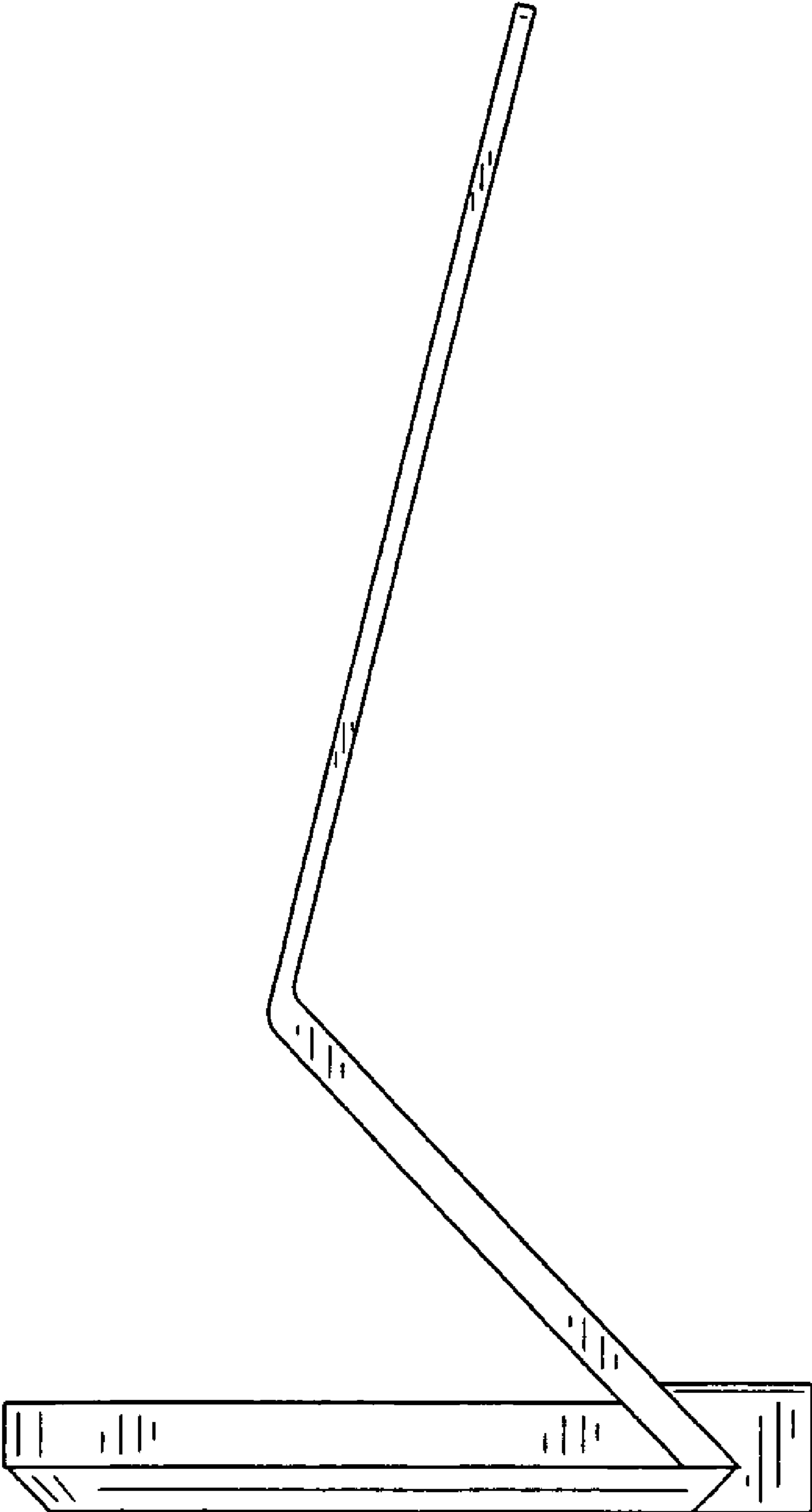


Fig.6

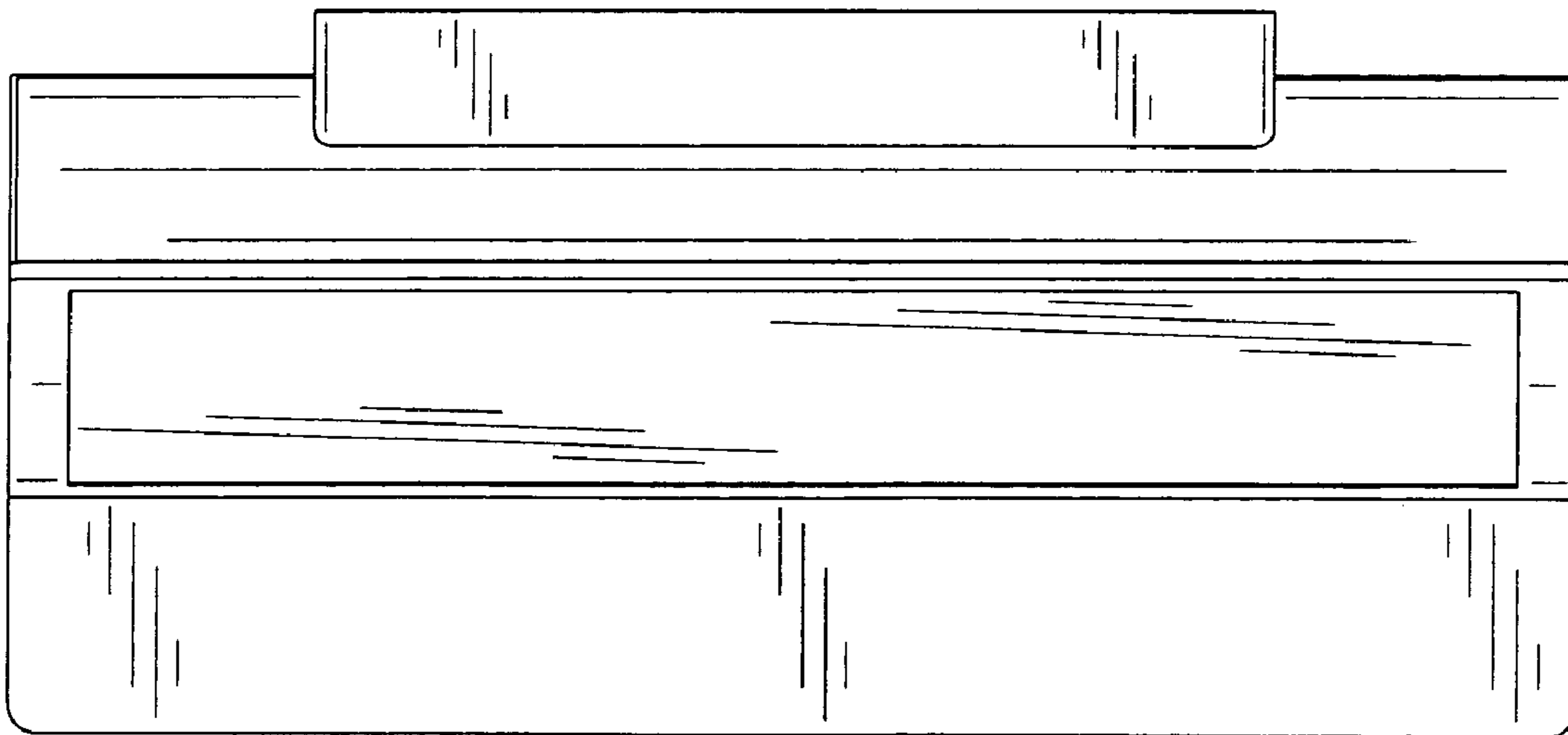


Fig.7

