



US00D569813S

(12) **United States Design Patent**  
**Charleux et al.**

(10) **Patent No.:** **US D569,813 S**

(45) **Date of Patent:** **\*\* May 27, 2008**

(54) **REMOTE CONTROL**

(75) Inventors: **Olivier Charleux**, Thyez (FR); **Jean Ducret**, Arc-les-Grays (FR)

(73) Assignee: **Simu**, Gray (FR)

(\*\*) Term: **14 Years**

(21) Appl. No.: **29/263,126**

(22) Filed: **Jul. 17, 2006**

(30) **Foreign Application Priority Data**

Feb. 21, 2006 (EP) ..... 000483532

(51) **LOC (8) Cl.** ..... **13-03**

(52) **U.S. Cl.** ..... **D13/168**

(58) **Field of Classification Search** ..... D13/168;  
D10/104, 106; D14/218, 496; 340/825.22,  
340/825.24, 825.25, 825.31, 825.36, 825.69,  
340/825.71, 825.72; 341/20, 22, 23, 34,  
341/176; 345/156, 168, 169; 348/734; 455/92,  
455/95, 100, 128, 151.1–151.4, 352–355;  
463/39, 42; 700/17, 19, 20, 65, 83; 701/2  
See application file for complete search history.

(56) **References Cited**

**U.S. PATENT DOCUMENTS**

D317,593 S \* 6/1991 Rowen ..... D13/168  
D325,581 S \* 4/1992 Schwartz ..... D14/218  
D361,058 S \* 8/1995 Domel et al. .... D13/168

D385,541 S \* 10/1997 Taylor ..... D13/168  
D401,911 S \* 12/1998 Hwang ..... D13/168  
D407,695 S \* 4/1999 Hwang ..... D13/168  
6,049,293 A \* 4/2000 Koot et al. .... 340/825.69  
6,680,673 B1 \* 1/2004 Wong ..... 340/825.69  
D548,195 S \* 8/2007 Poulet ..... D13/168  
D549,665 S \* 8/2007 Chen ..... D13/168

\* cited by examiner

*Primary Examiner*—Selina Sikder

(74) *Attorney, Agent, or Firm*—Frommer Lawrence & Haug  
LLP; Ronald R. Santucci

(57) **CLAIM**

The ornamental design for a remote control, as shown and described.

**DESCRIPTION**

FIG. 1 is a front perspective view of a remote control showing our new design;

FIG. 2 is a front elevation view thereof;

FIG. 3 is a rear elevation view thereof;

FIG. 4 is a left side view thereof;

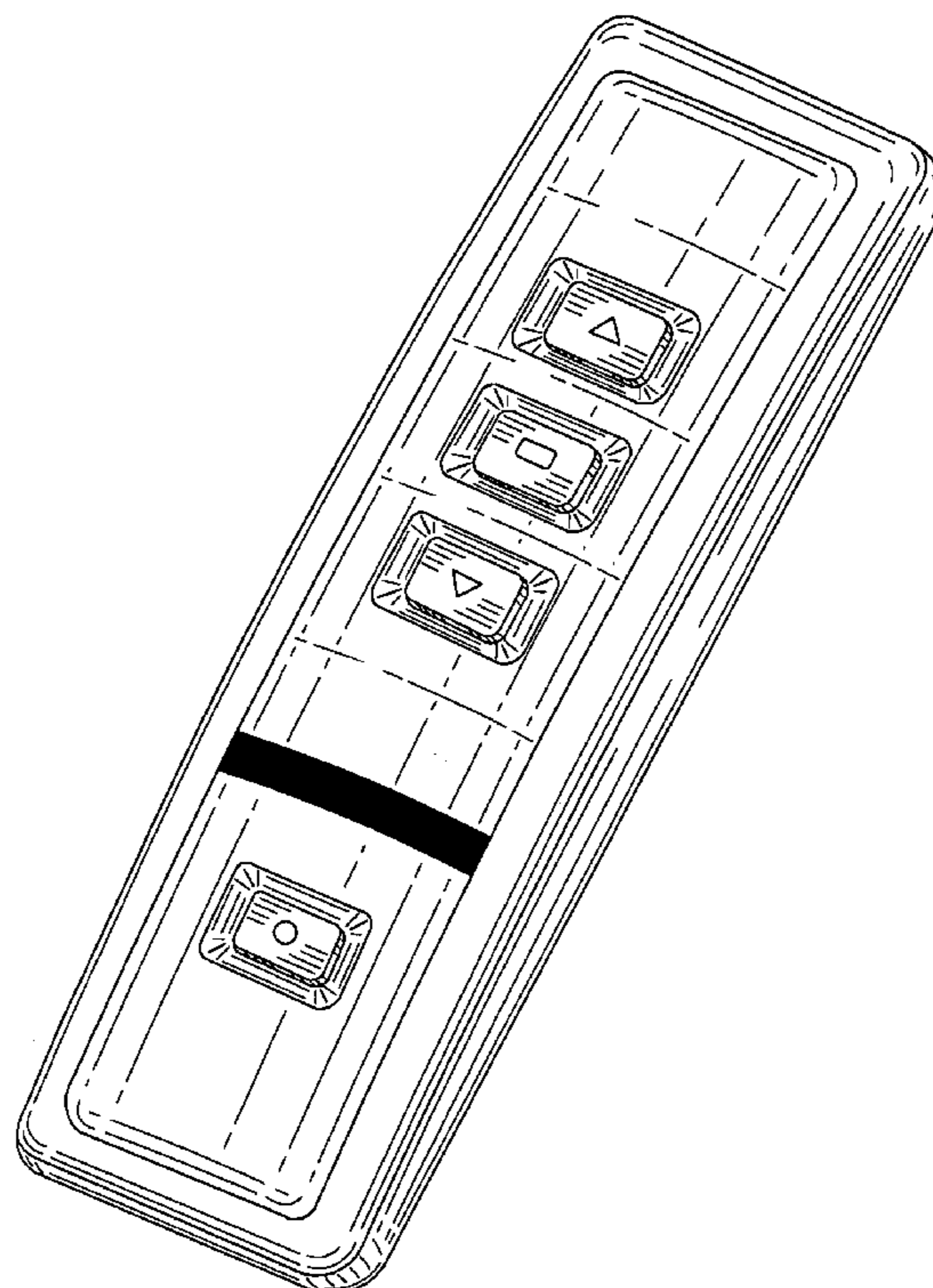
FIG. 5 is a right side view thereof;

FIG. 6 is a top plan view thereof; and,

FIG. 7 is a front bottom plan view thereof.

The broken lines represent unclaimed subject matter.

**1 Claim, 3 Drawing Sheets**



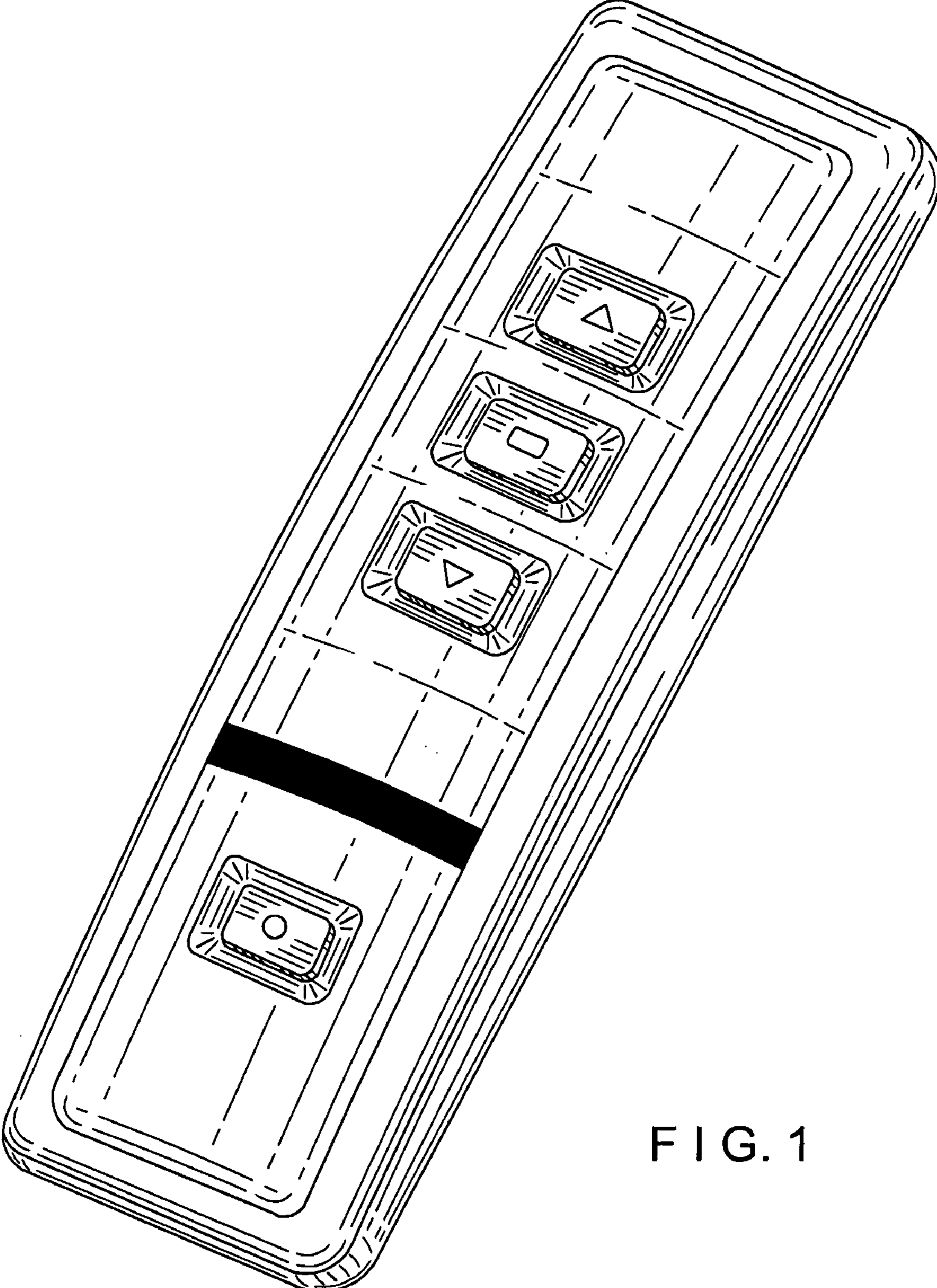


FIG. 1

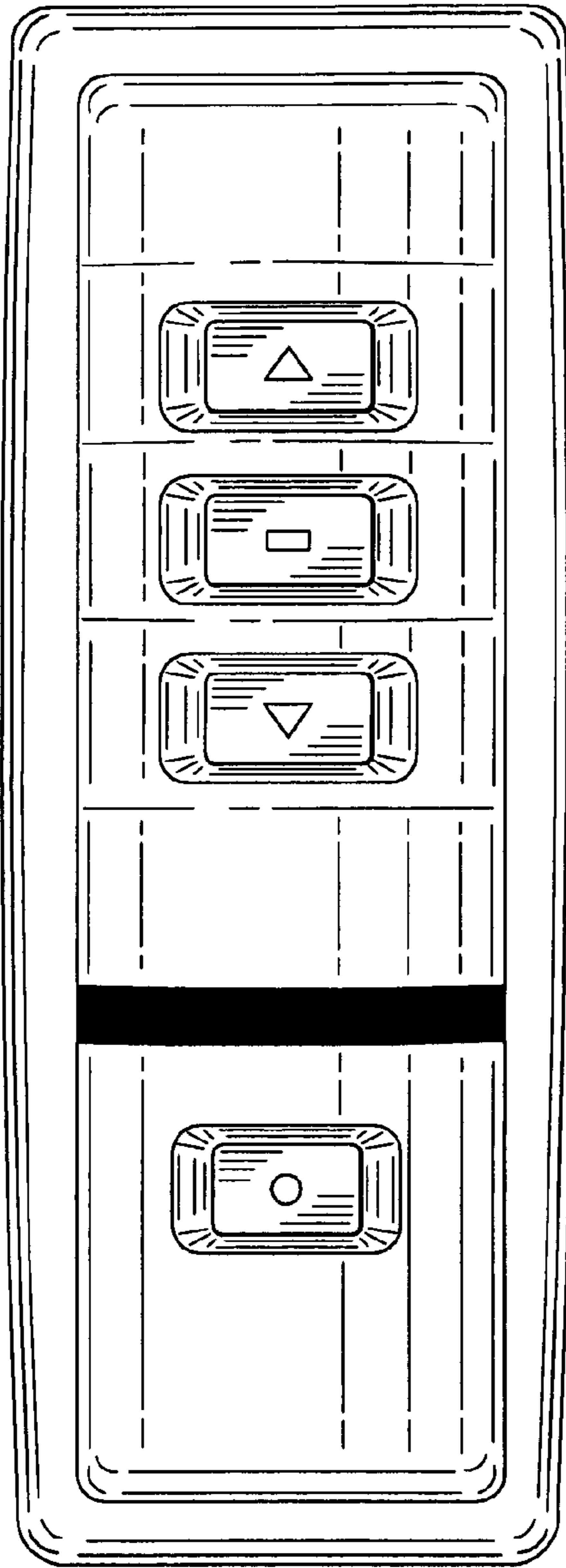


FIG. 2

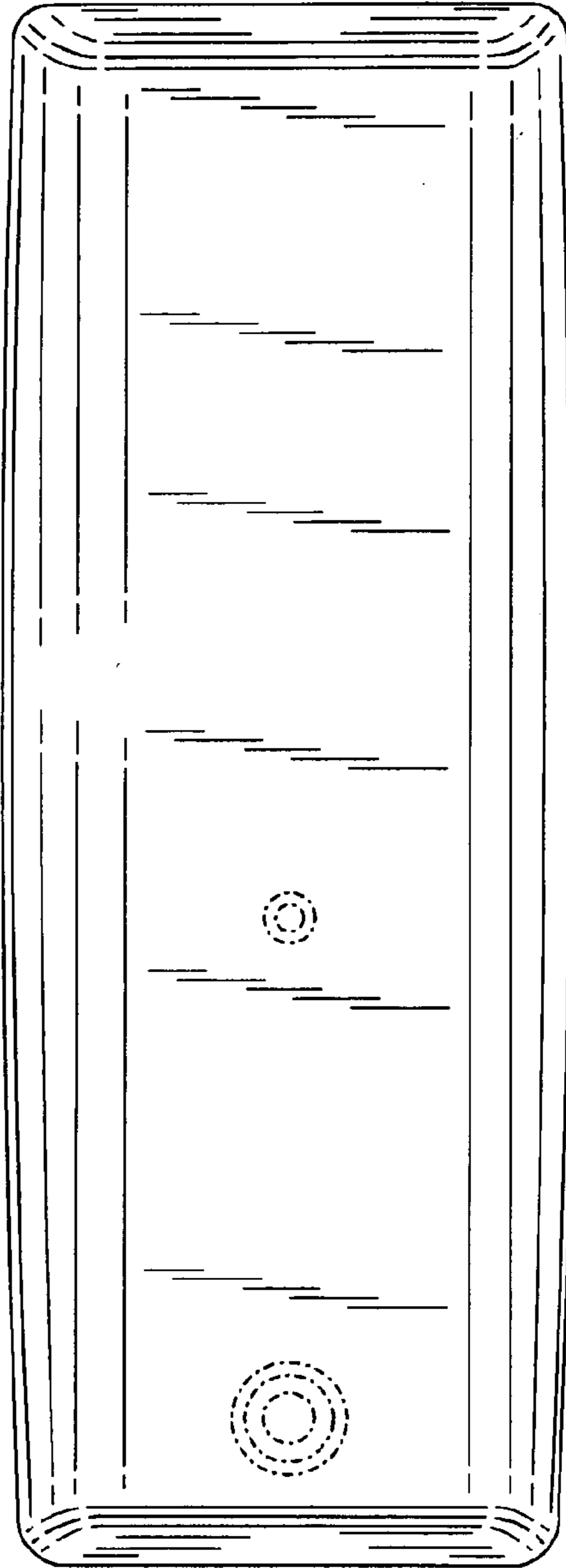


FIG. 3

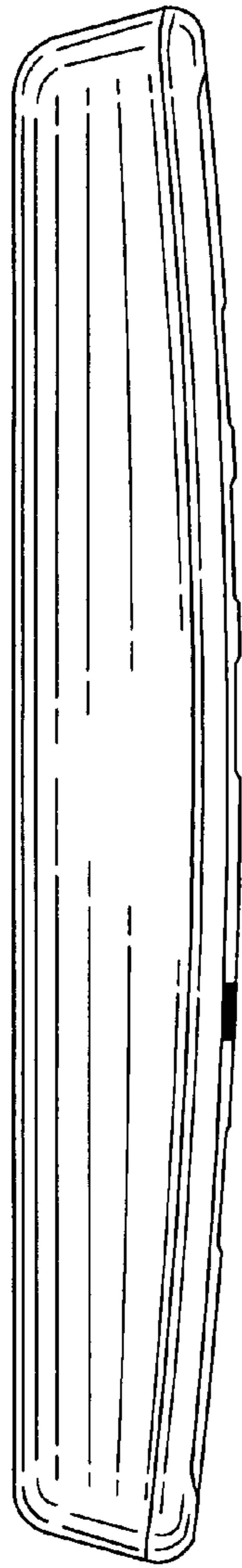


FIG. 4

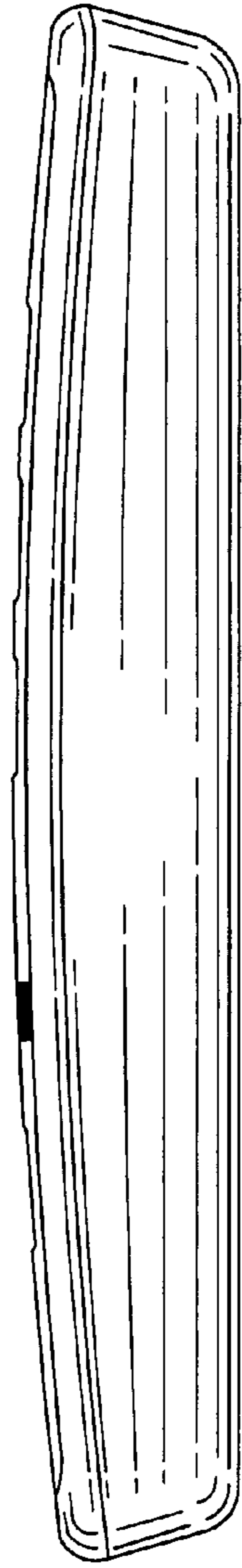


FIG. 5

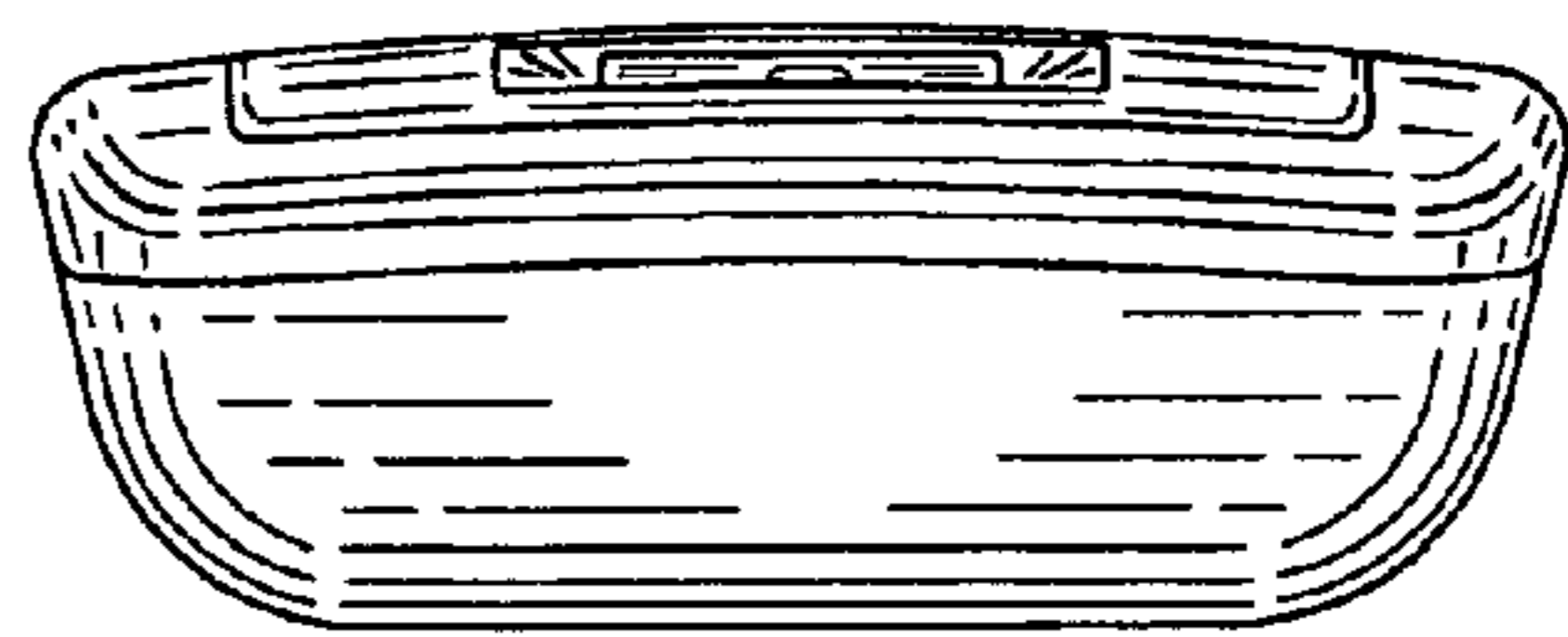


FIG. 6

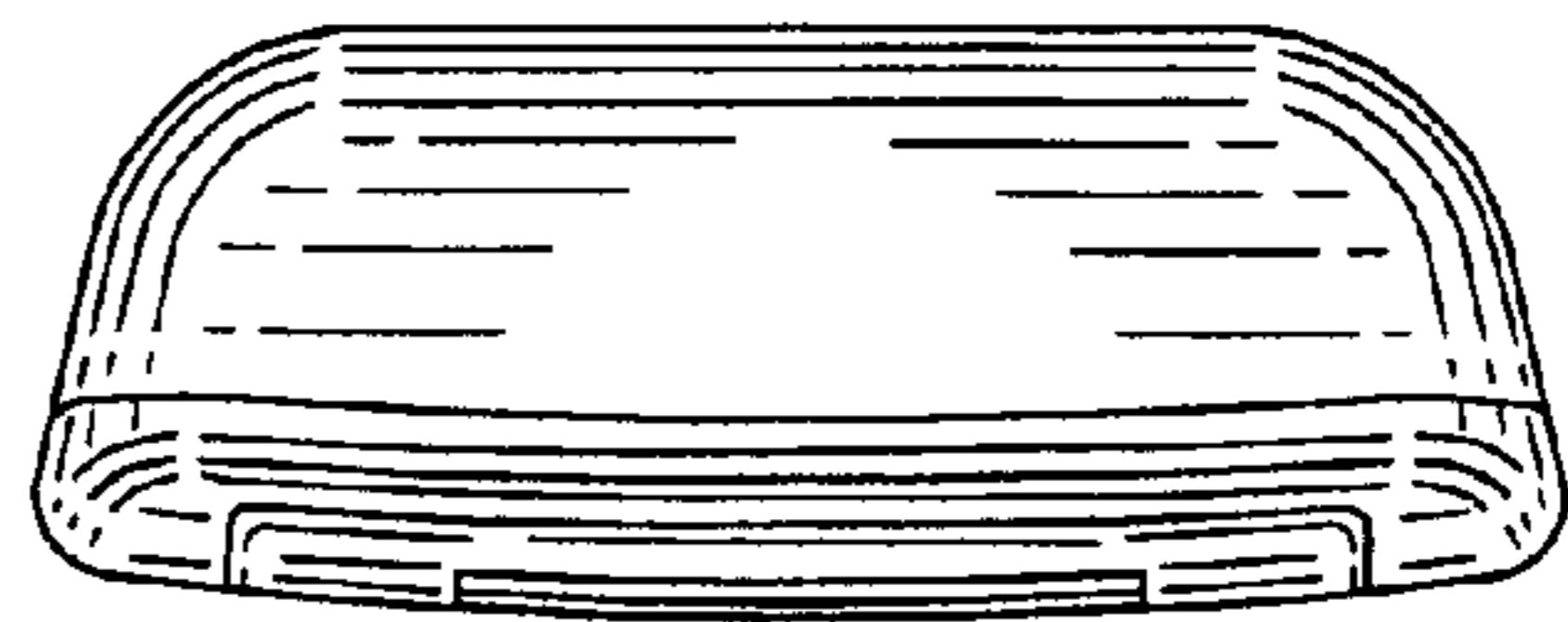


FIG. 7