



US00D569810S

(12) **United States Design Patent**
Victor

(10) **Patent No.:** **US D569,810 S**

(45) **Date of Patent:** **** May 27, 2008**

(54) **Y-ADAPTER**

D553,089 S * 10/2007 Victor D13/147

(76) Inventor: **Jay Victor**, 2017 Bataan Rd., Unit A,
Redondo Beach, CA (US) 90278

* cited by examiner

(**) Term: **14 Years**

Primary Examiner—Daniel D Bui
(74) *Attorney, Agent, or Firm*—Trojan Law Office

(21) Appl. No.: **29/298,095**

(22) Filed: **Nov. 28, 2007**

(57) **CLAIM**

The ornamental design for a Y-adapter, as shown and described.

Related U.S. Application Data

DESCRIPTION

(60) Continuation of application No. 29/283,907, filed on Aug. 27, 2007, now Pat. No. Des. 561,112, which is a division of application No. 29/258,375, filed on Apr. 20, 2006, now Pat. No. Des. 550,157.

FIG. 1 is a perspective view of a Y-adapter, showing my new design;

(51) **LOC (8) Cl.** **13-03**

(52) **U.S. Cl.** **D13/154; D13/133; D13/153**

(58) **Field of Classification Search** D13/133,
D13/146, 147, 153, 154, 184, 199; 174/72 R;
439/489, 502, 505, 578, 584, 585, 625
See application file for complete search history.

FIG. 2 is a top view of the Y-adapter shown in FIG. 1; a bottom view of the Y-adapter shown in FIG. 2 is a mirror image of the top view shown; and,

FIG. 3 is a side view of the Y-adapter shown in FIG. 1; the opposite side of the view shown in FIG. 3 is a mirror image of the side view shown.

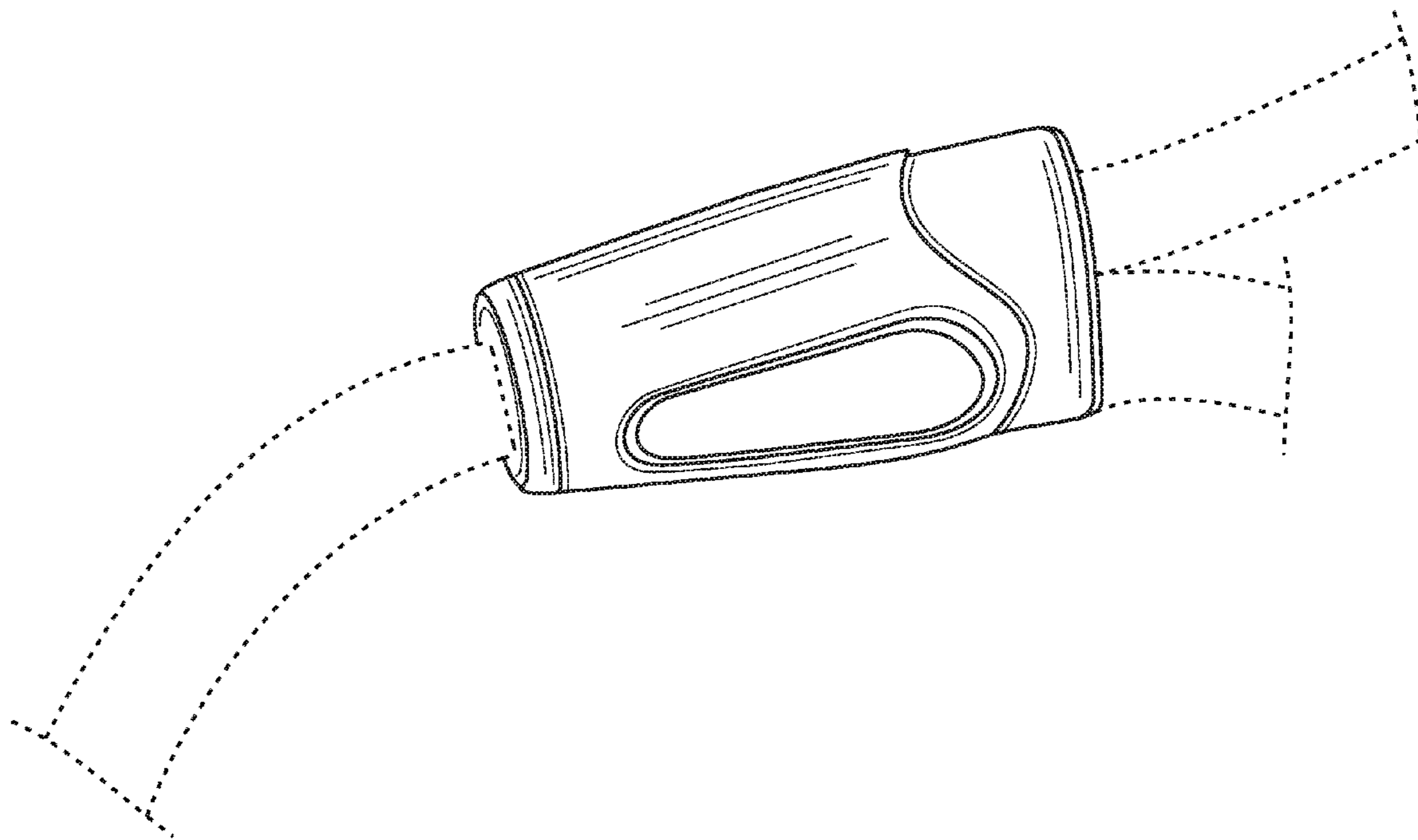
(56) **References Cited**

The broken line showing of the environment is for illustrative purposes only and forms no part of the claimed design.

U.S. PATENT DOCUMENTS

D543,949 S * 6/2007 Victor D13/154

1 Claim, 3 Drawing Sheets



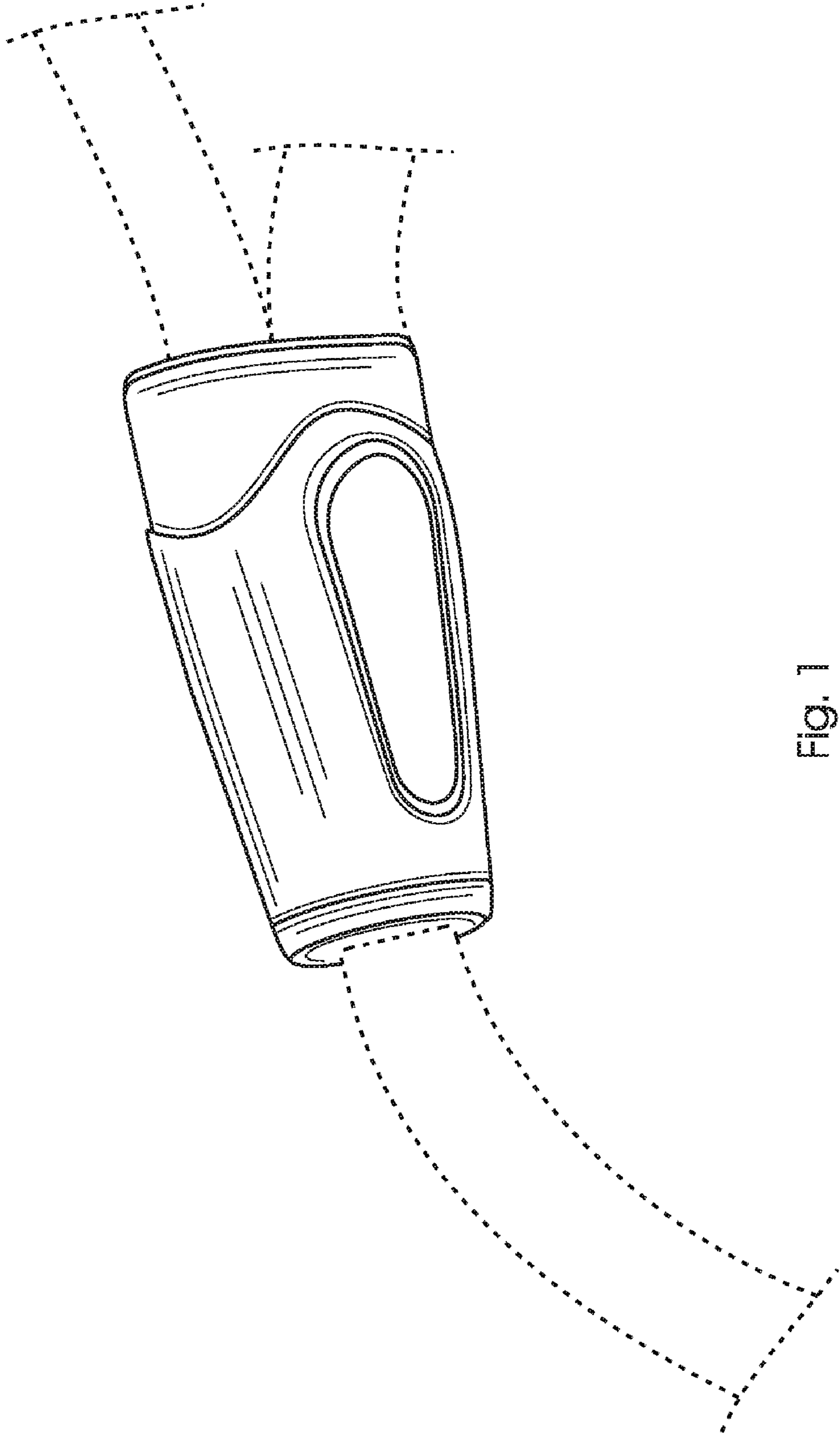


FIG. 1

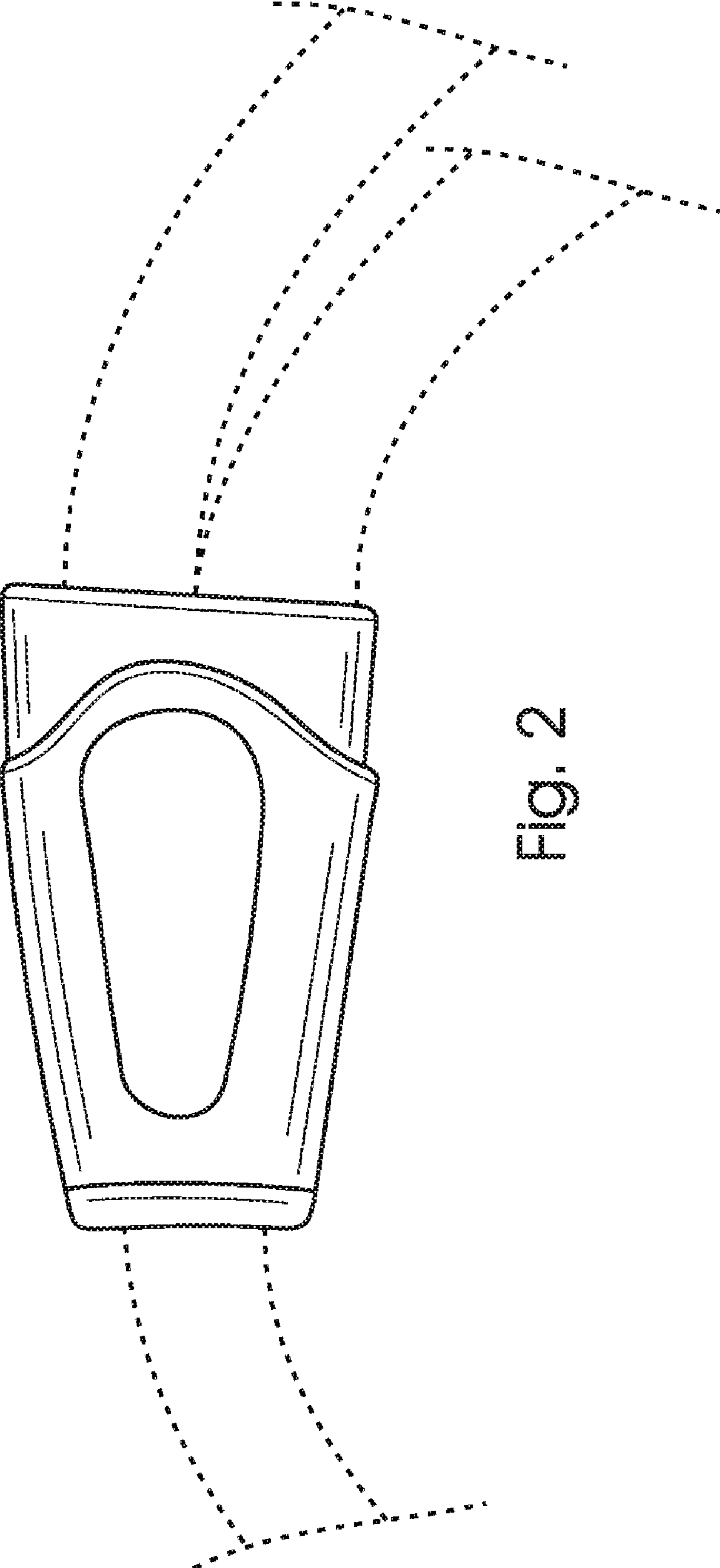


FIG. 2

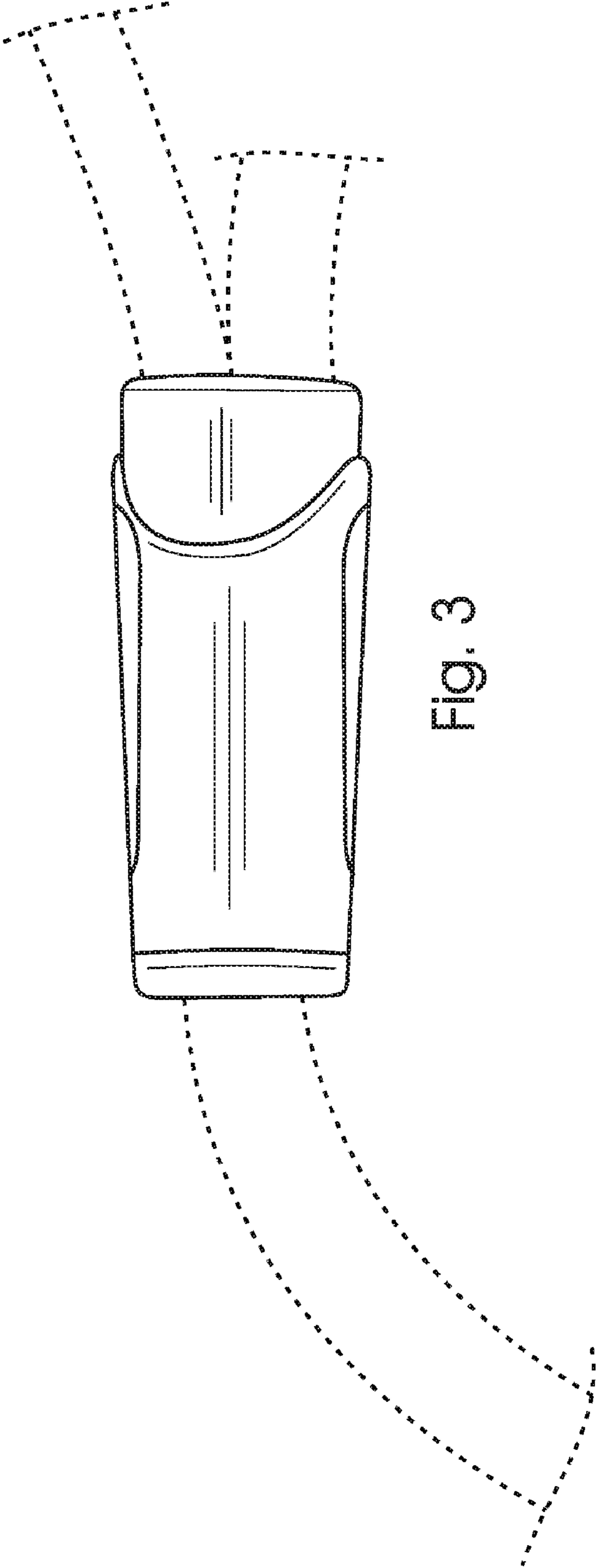


FIG. 3