

US00D569804S

(12) **United States Design Patent**
Huang et al.

(10) **Patent No.:** **US D569,804 S**

(45) **Date of Patent:** **** May 27, 2008**

(54) **POWER RECEPTACLE CONNECTOR**

(75) Inventors: **Mao Jung Huang**, Tucheng (TW); **Te Hung Yin**, Tucheng (TW); **Ping Chih Chen**, Tucheng (TW)

(73) Assignee: **Cheng Uei Precision Industry Co., Ltd.**, Taipei (TW)

(**) Term: **14 Years**

(21) Appl. No.: **29/255,122**

(22) Filed: **Mar. 6, 2006**

(51) **LOC (8) Cl.** **13-03**

(52) **U.S. Cl.** **D13/147**

(58) **Field of Classification Search** D13/133,
D13/146-147, 154, 184, 199; 439/79, 83,
439/108, 353, 358, 541.5, 594, 597, 600,
439/606-610, 639, 677, 680
See application file for complete search history.

(56) **References Cited**

U.S. PATENT DOCUMENTS

D345,140 S	*	3/1994	Nakamura	D13/147
D410,629 S	*	6/1999	Bandura et al.	D13/147
D482,658 S	*	11/2003	Shao	D13/147
D494,141 S	*	8/2004	Spink, Jr.	D13/147
7,008,255 B1	*	3/2006	Wang	439/357
7,029,331 B1	*	4/2006	Lai	439/609

D524,746 S	*	7/2006	Lai	D13/147
7,074,070 B1	*	7/2006	Huang et al.	439/352
D525,945 S	*	8/2006	Hamada et al.	D13/147
7,114,981 B1	*	10/2006	Huang et al.	439/353
7,144,267 B1	*	12/2006	Huang et al.	439/352
D543,149 S	*	5/2007	Huang et al.	D13/147
D543,505 S	*	5/2007	Wang	D13/147
2002/0142636 A1	*	10/2002	Murr et al.	439/108

* cited by examiner

Primary Examiner—Daniel Bui

(74) *Attorney, Agent, or Firm*—Rosenberg, Klein & Lee

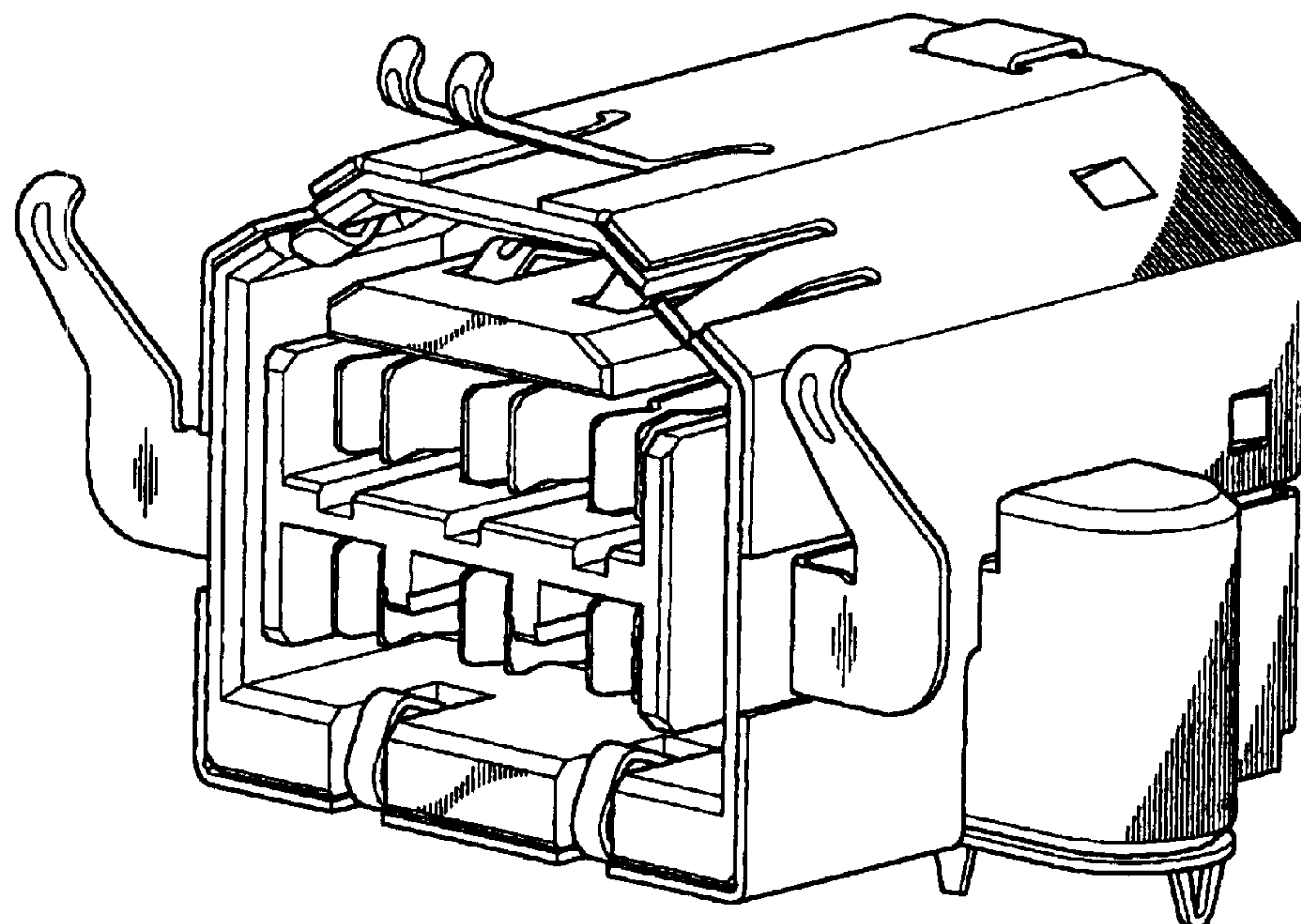
(57) **CLAIM**

The ornamental design for a power receptacle connector, as shown and described.

DESCRIPTION

FIG. 1 is a perspective view of a power receptacle connector showing our new design;
FIG. 2 is a front elevational view thereof;
FIG. 3 is a rear elevational view thereof;
FIG. 4 is a left side elevational view thereof;
FIG. 5 is a right side elevational view thereof;
FIG. 6 is a top plan view thereof; and,
FIG. 7 is a bottom plan view thereof.
Features shown in broken lines are included for illustrative purposes and do not form a part of the claimed design.

1 Claim, 7 Drawing Sheets



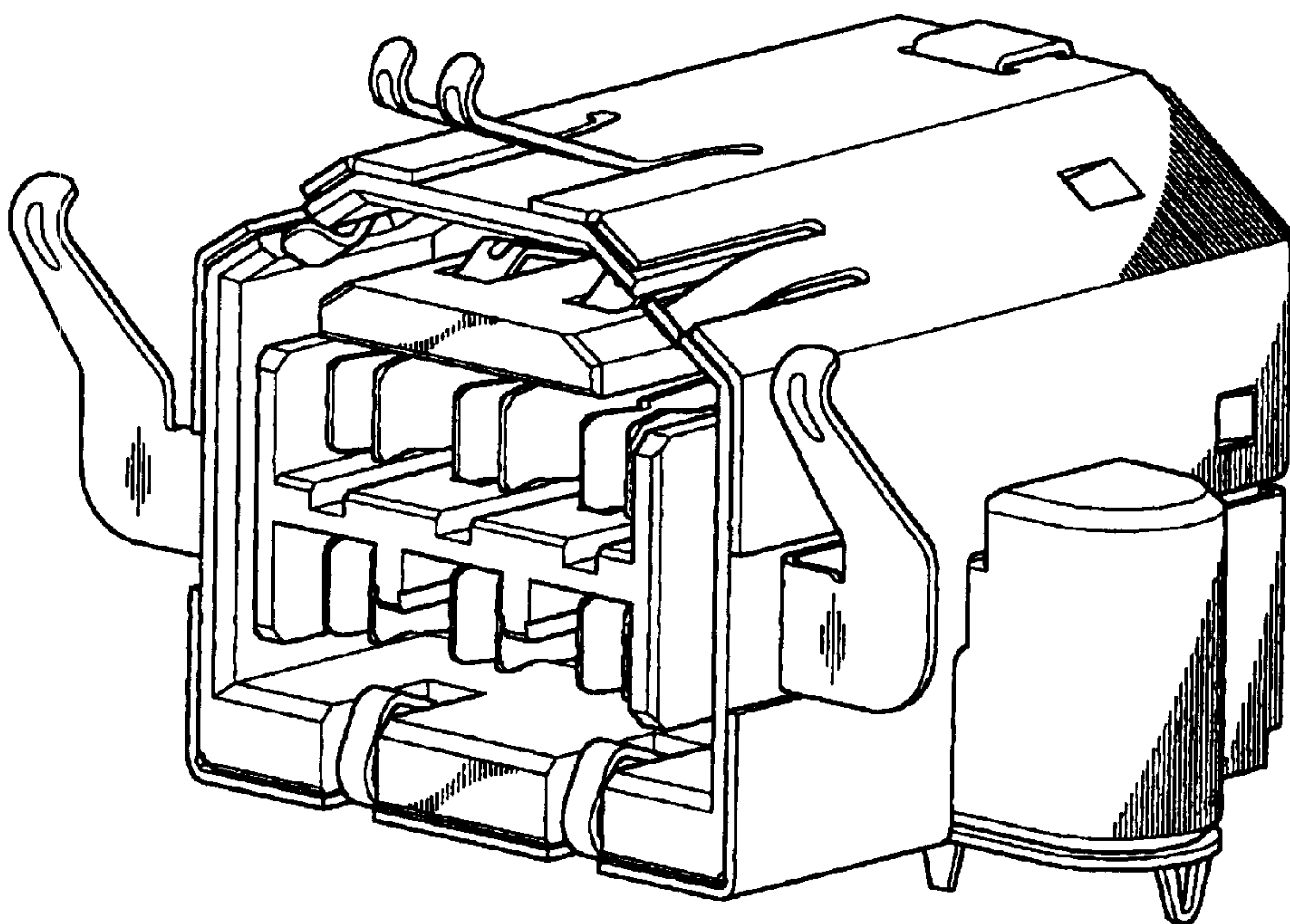


FIG. 1

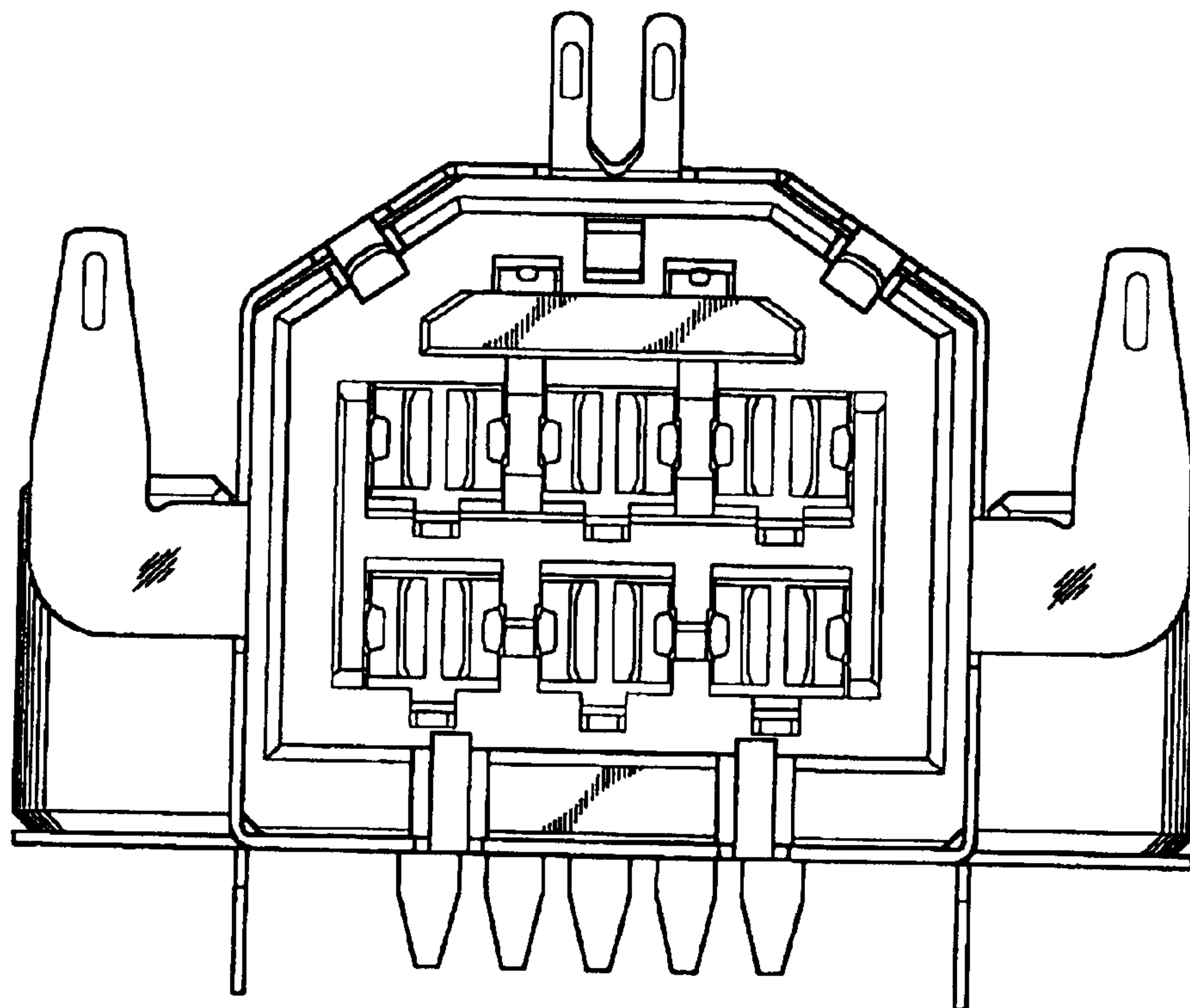


FIG. 2

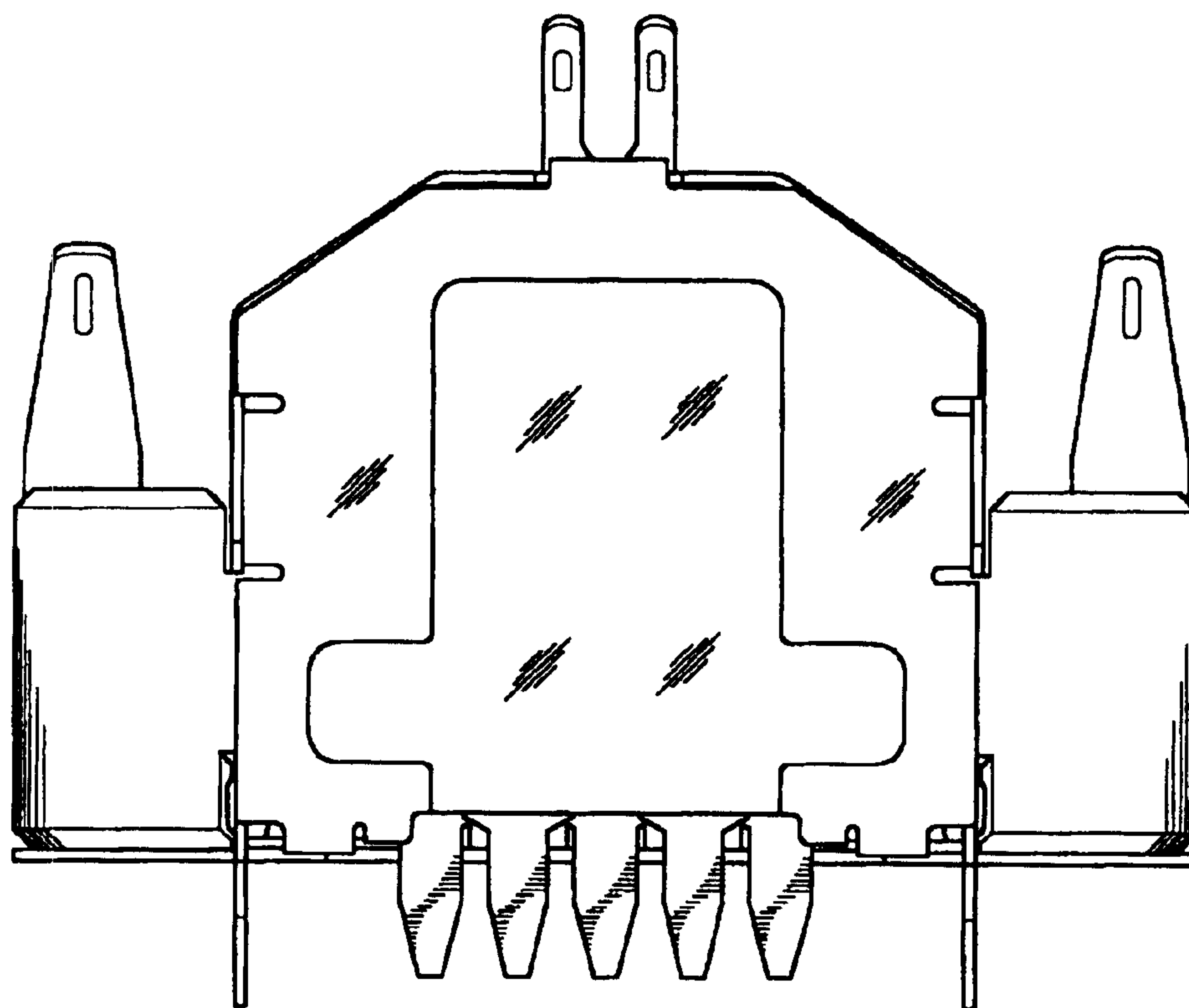


FIG. 3

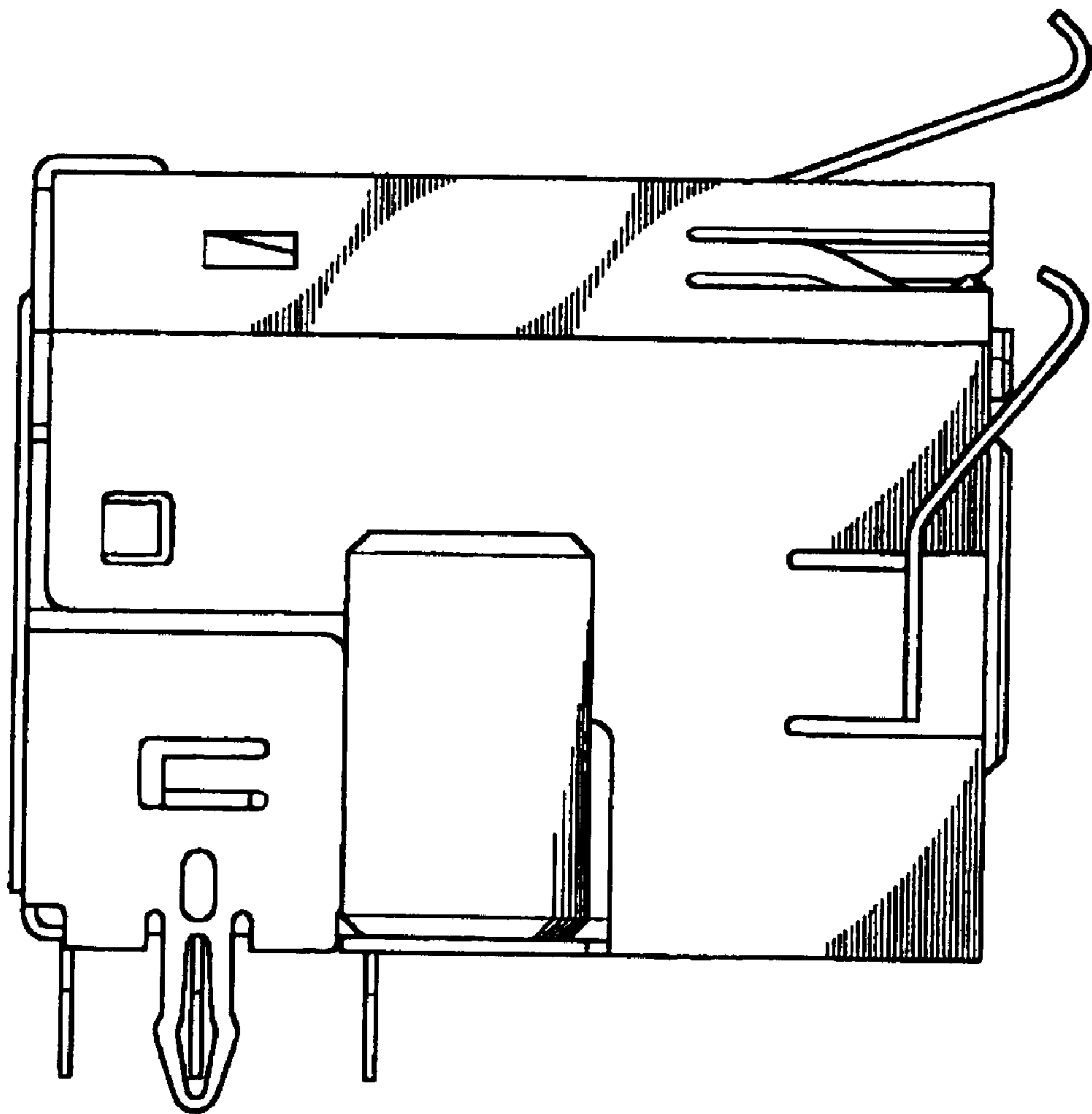


FIG. 4

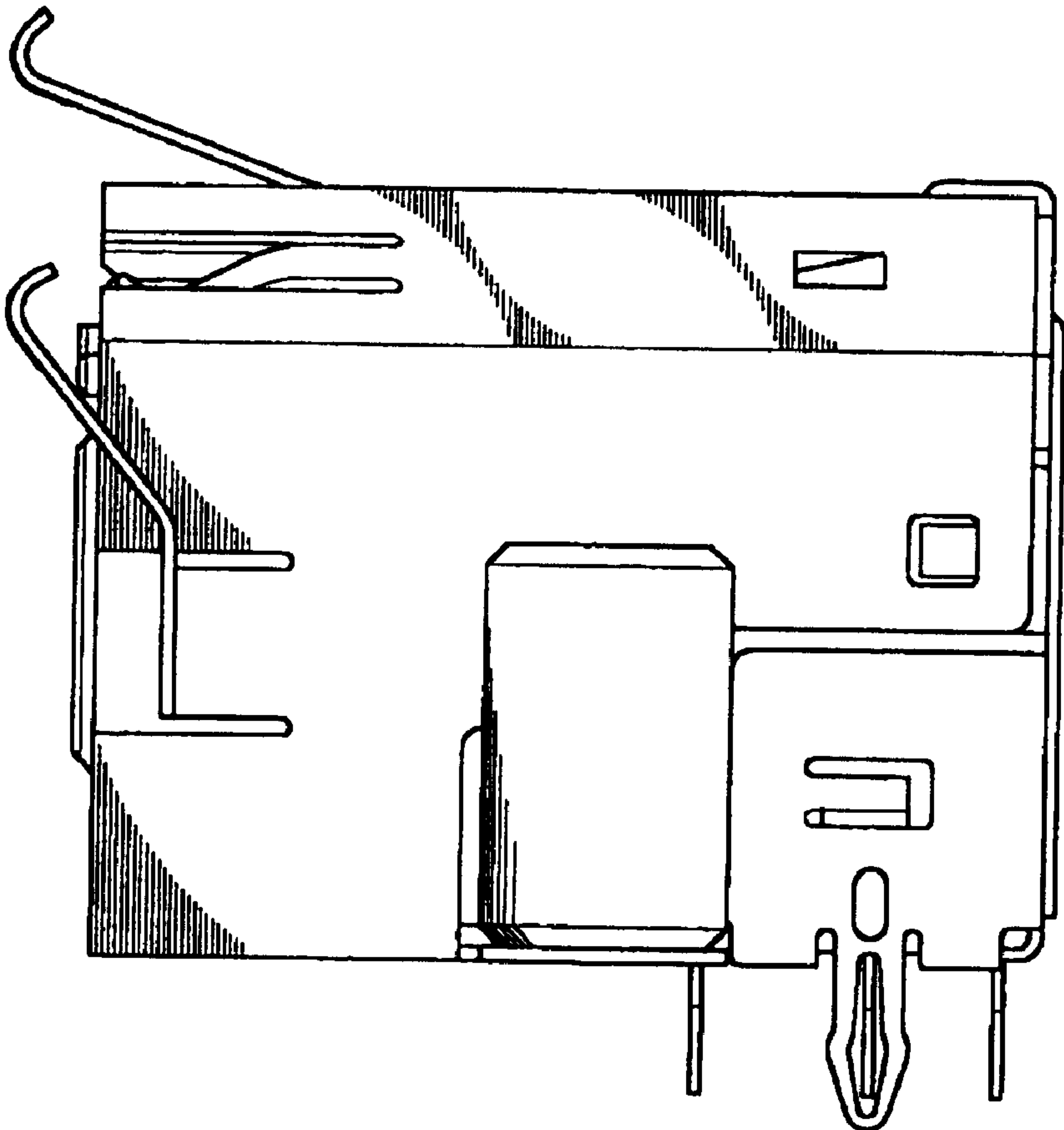


FIG. 5

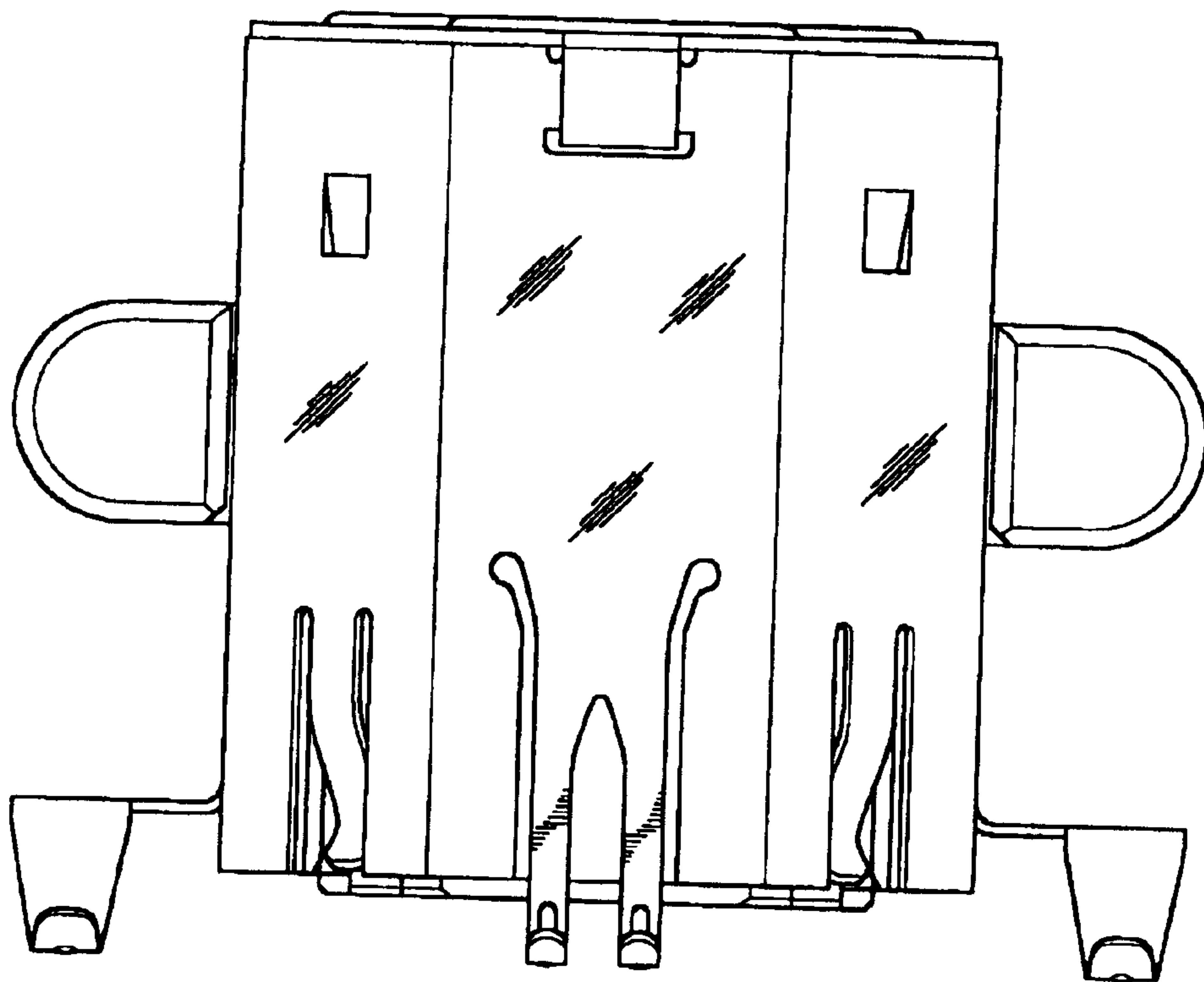


FIG. 6

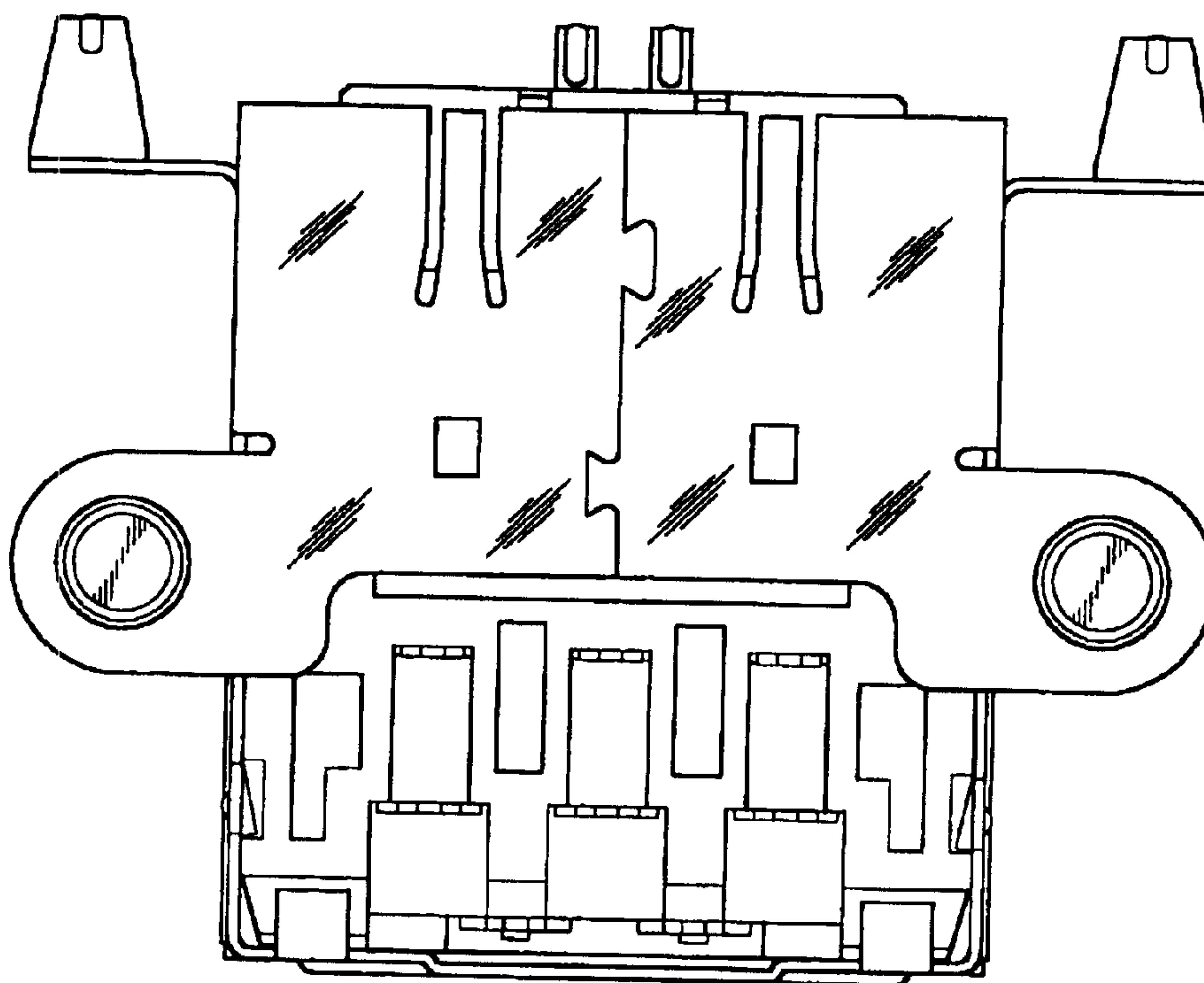


FIG. 7