



US00D569802S

(12) **United States Design Patent**  
**Long et al.**

(10) **Patent No.: US D569,802 S**

(45) **Date of Patent: \*\* May 27, 2008**

(54) **CONTACT FOR ELECTRICAL CONNECTOR**

D555,093 S \* 11/2007 Chien et al. .... D13/133  
D555,095 S \* 11/2007 Ho ..... D13/133

(75) Inventors: **Ji-En Long**, ShenZhen (CN); **Wei-Nan Kuo**, Tu-Cheng (TW)

\* cited by examiner

(73) Assignee: **Hon Hai Precision Ind. Co., Ltd.**,  
Taipei Hsien (TW)

*Primary Examiner*—Daniel Bui  
(74) *Attorney, Agent, or Firm*—Wei Te Chung

(\*\*) Term: **14 Years**

(57) **CLAIM**

(21) Appl. No.: **29/291,736**

The ornamental design for a contact for electrical connector,  
as shown.

(22) Filed: **Sep. 12, 2007**

(51) **LOC (8) Cl.** ..... **13-03**

(52) **U.S. Cl.** ..... **D13/133**

(58) **Field of Classification Search** ..... D13/133,  
D13/146–147, 154, 184, 199; 439/607–610,  
439/849–850, 870, 877, 884–885, 887–891  
See application file for complete search history.

**DESCRIPTION**

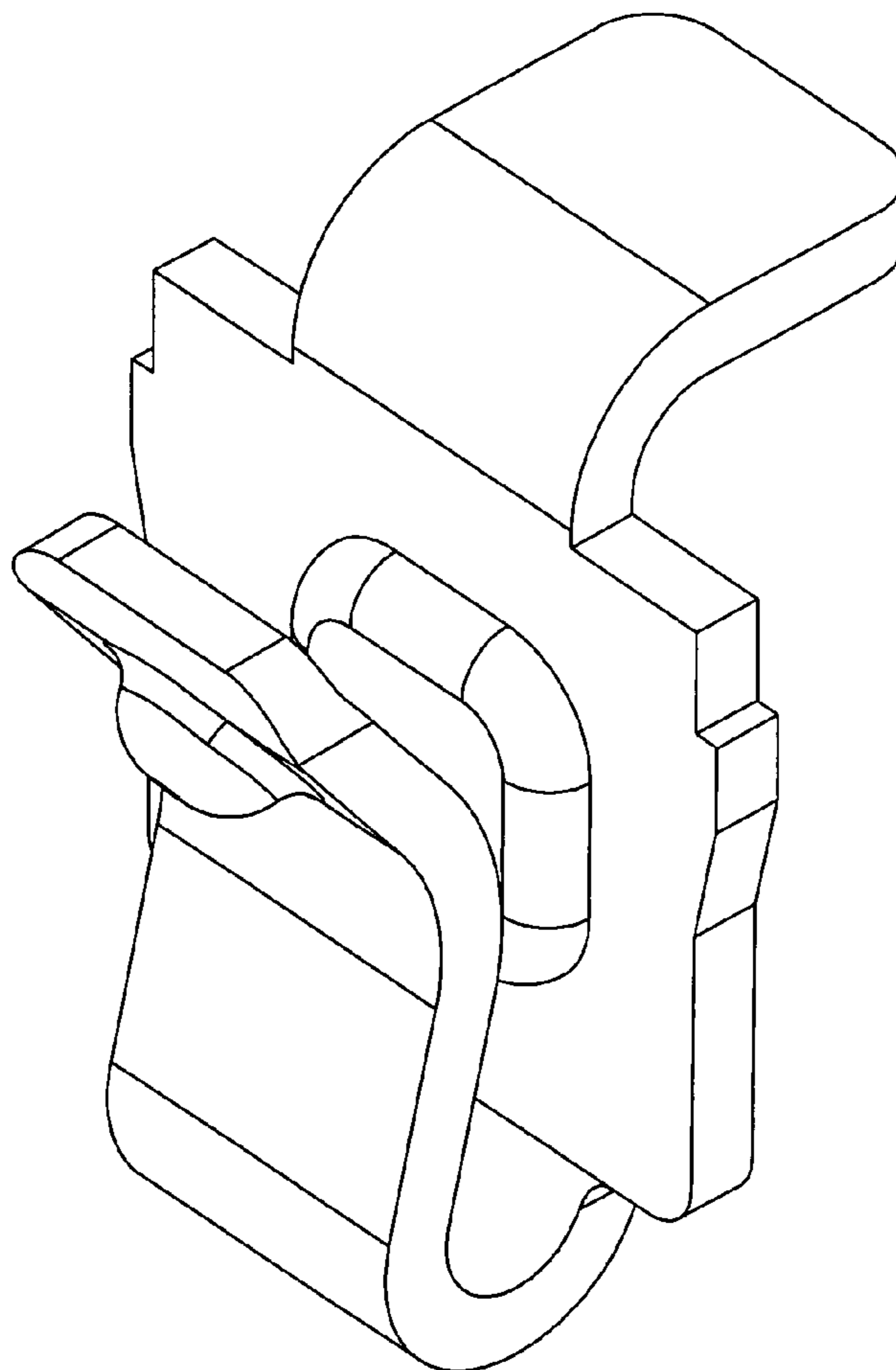
FIG. 1 is a top, front and right side perspective view of a contact for electrical connector showing our new design; FIG. 2 is a front elevational view thereof; FIG. 3 is a rear elevational view thereof; FIG. 4 is a left side elevational view thereof; FIG. 5 is a right side elevational view thereof; FIG. 6 is a top plan view thereof; and, FIG. 7 is a bottom plan view thereof.

(56) **References Cited**

**U.S. PATENT DOCUMENTS**

6,293,833 B1 \* 9/2001 Kamath ..... 439/851  
6,551,149 B2 \* 4/2003 Orihara ..... 439/862  
6,805,595 B2 \* 10/2004 Kukita et al. .... 439/862

**1 Claim, 7 Drawing Sheets**



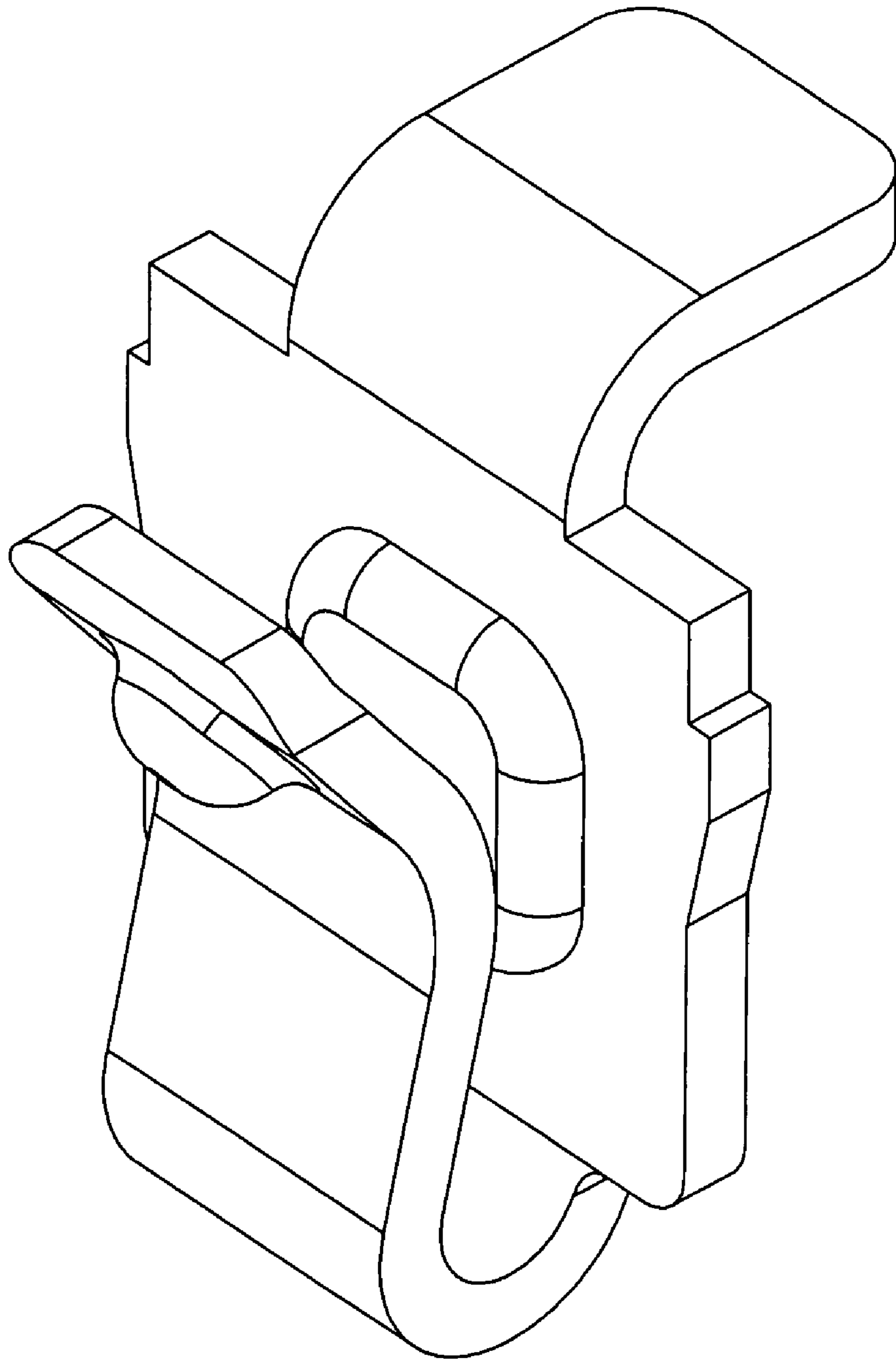


FIG. 1

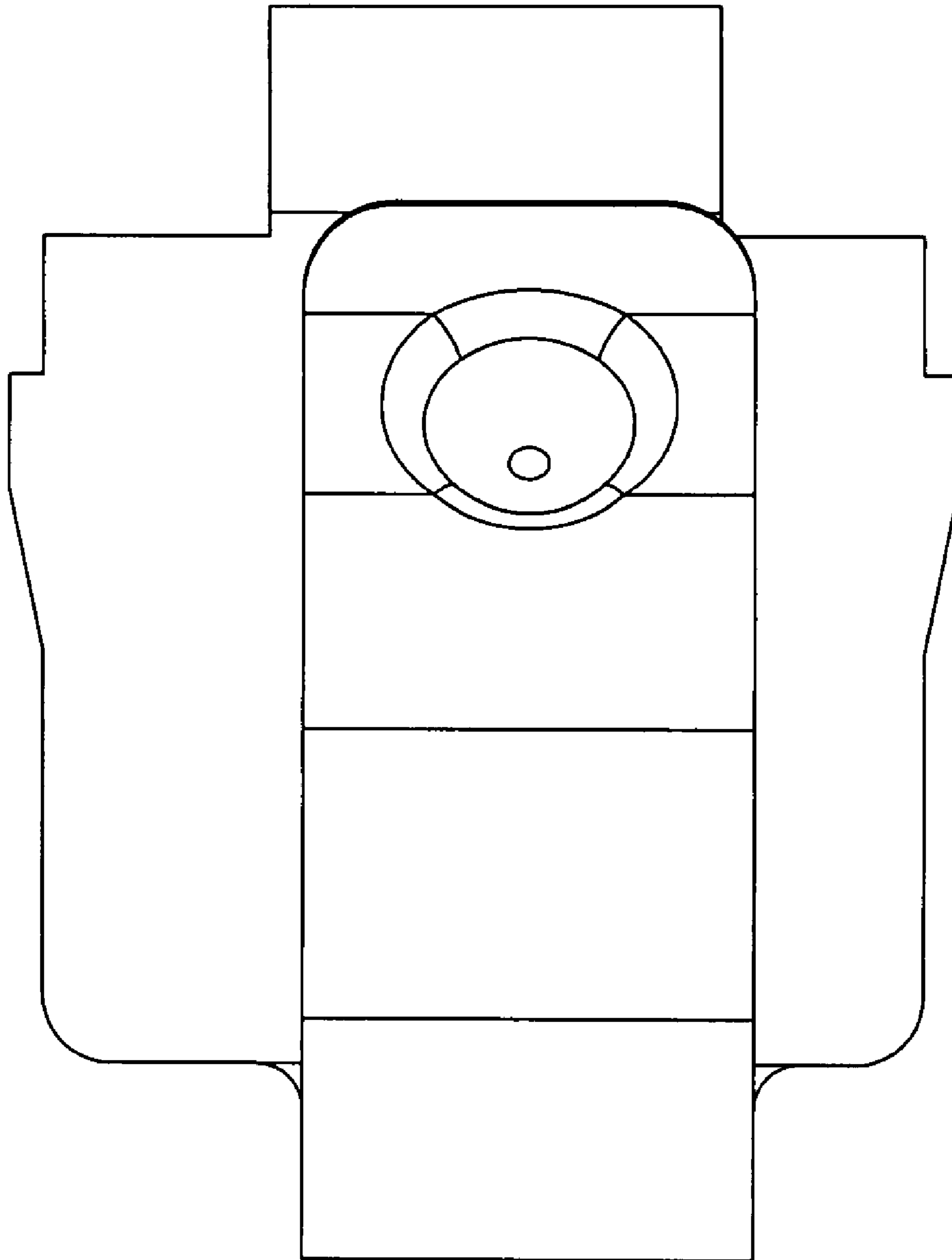


FIG. 2

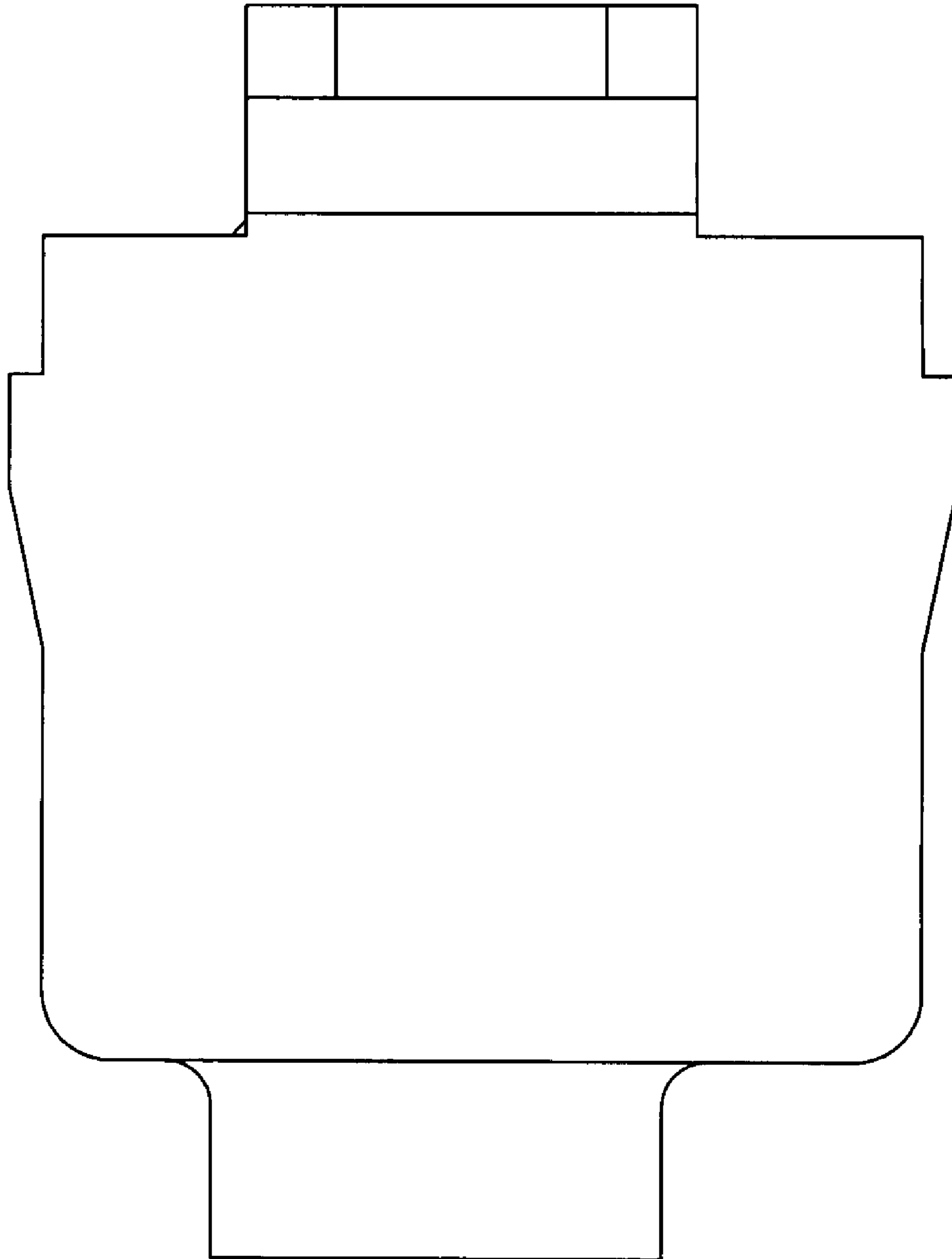


FIG. 3

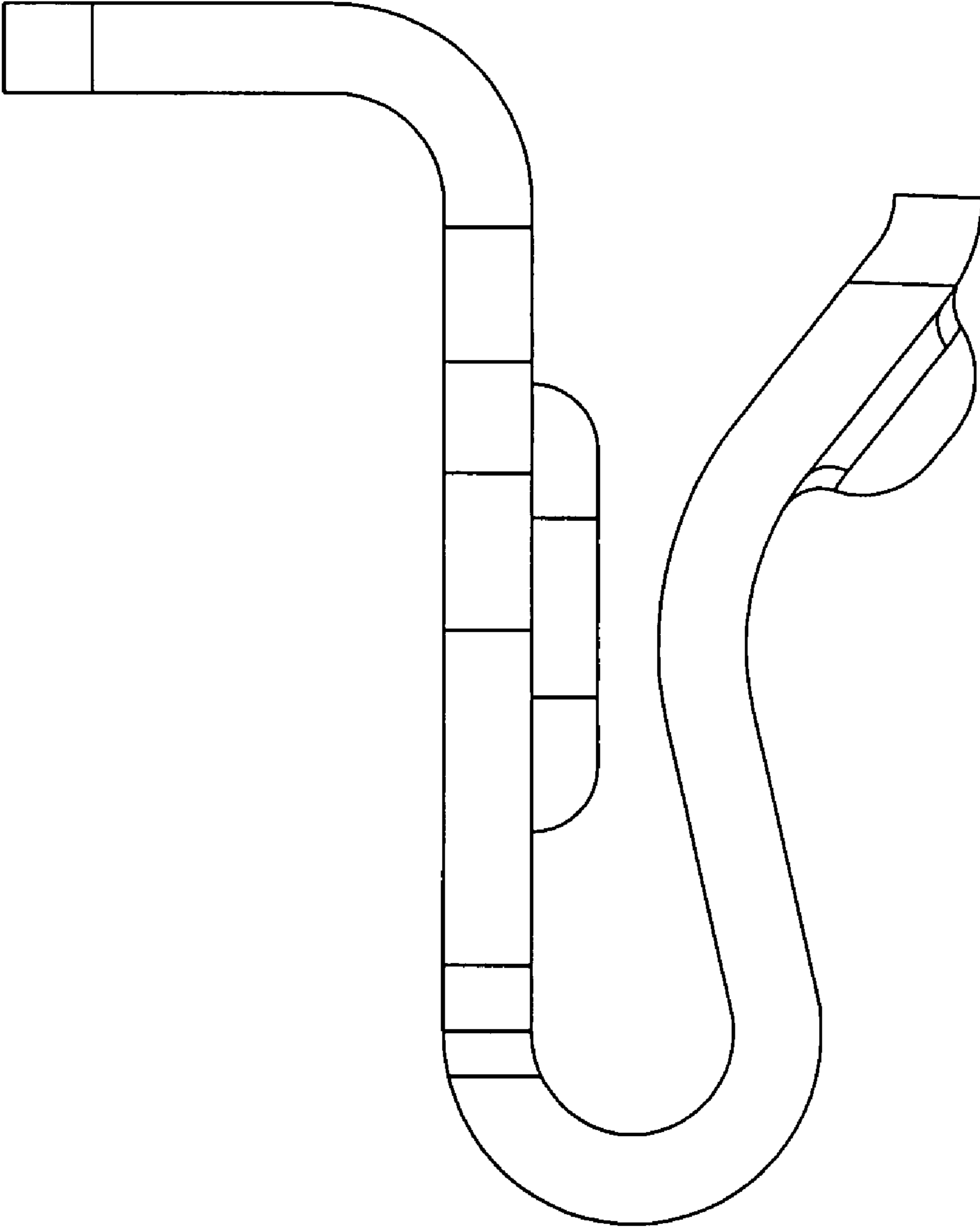


FIG. 4

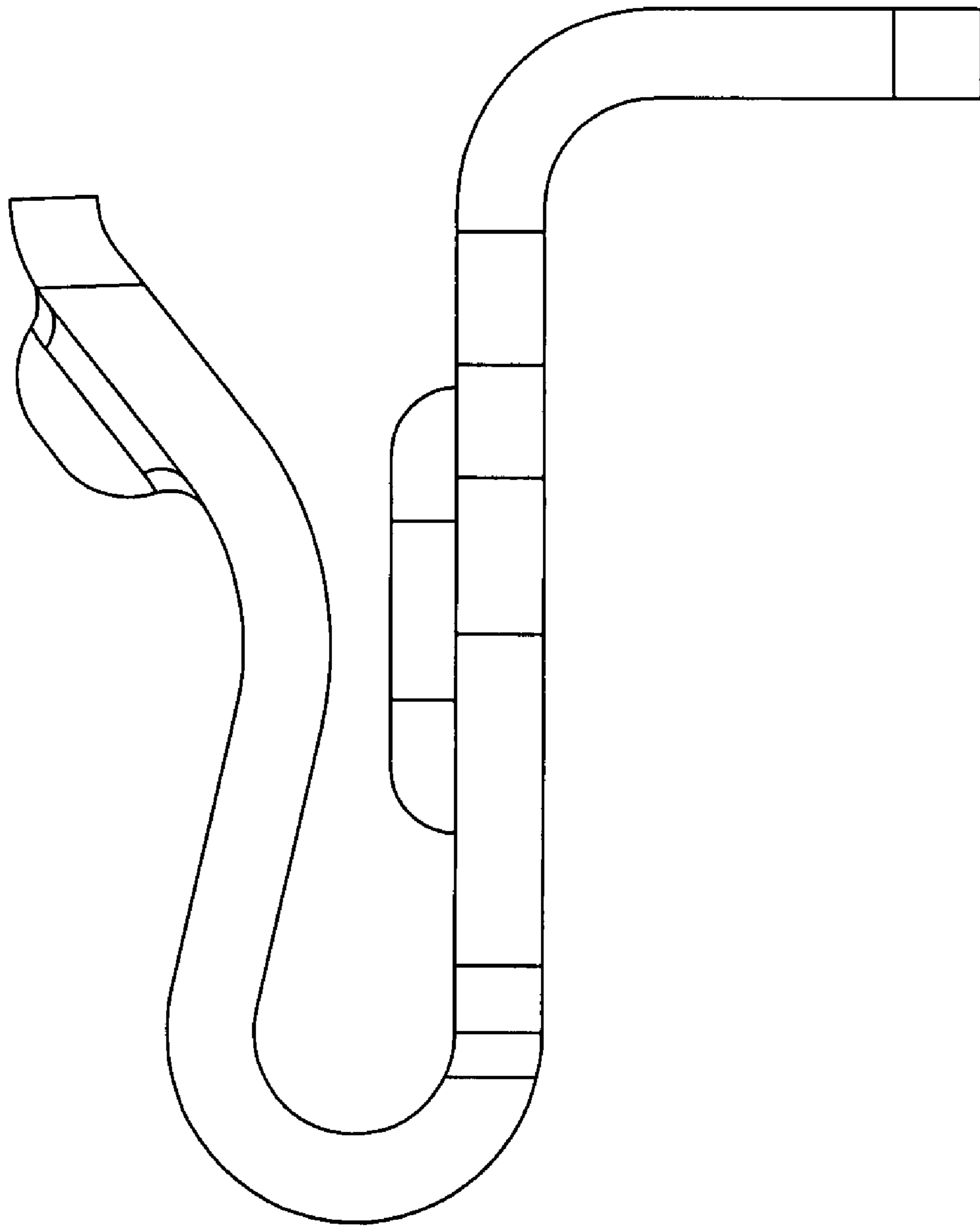


FIG. 5

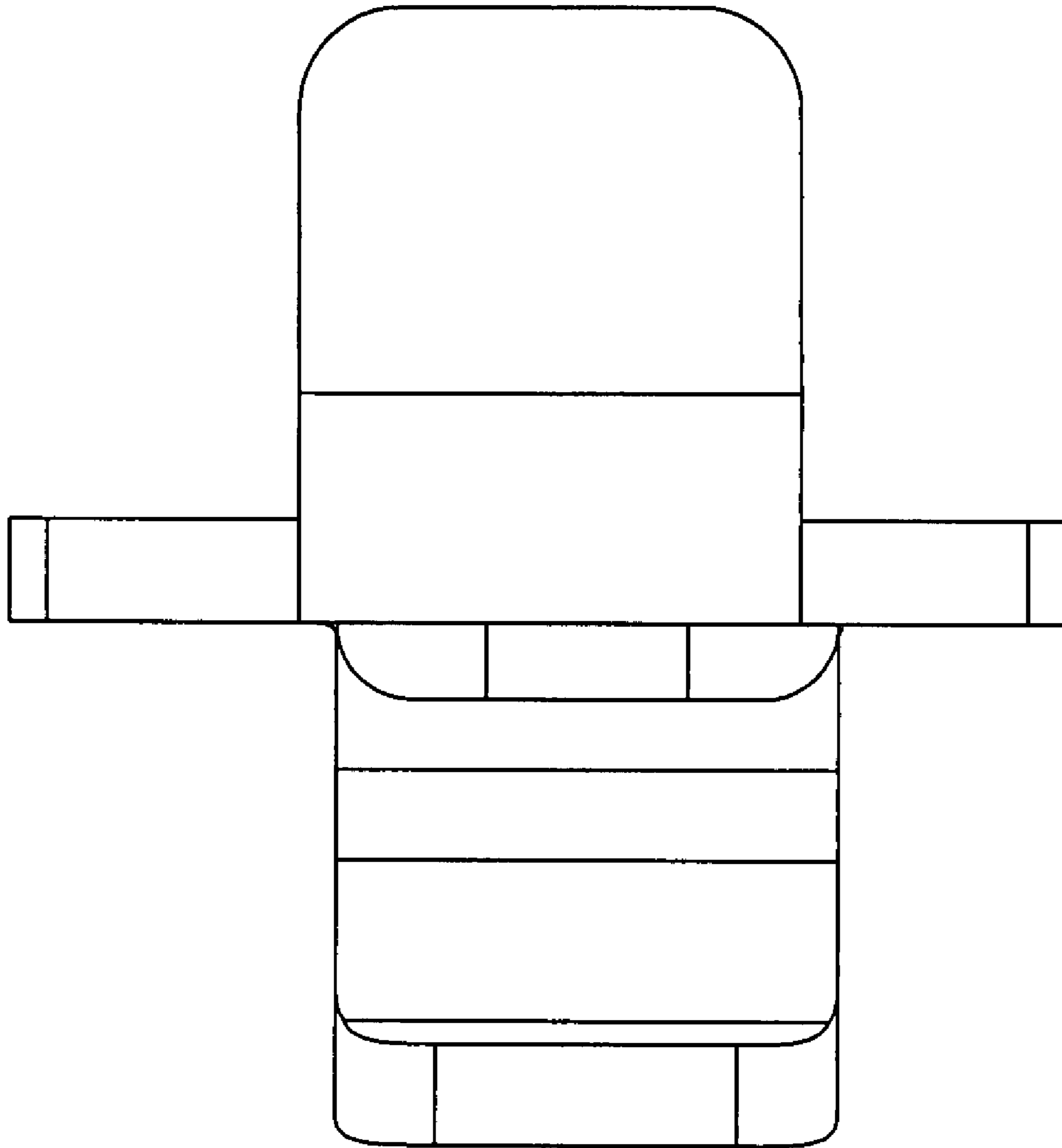


FIG. 6

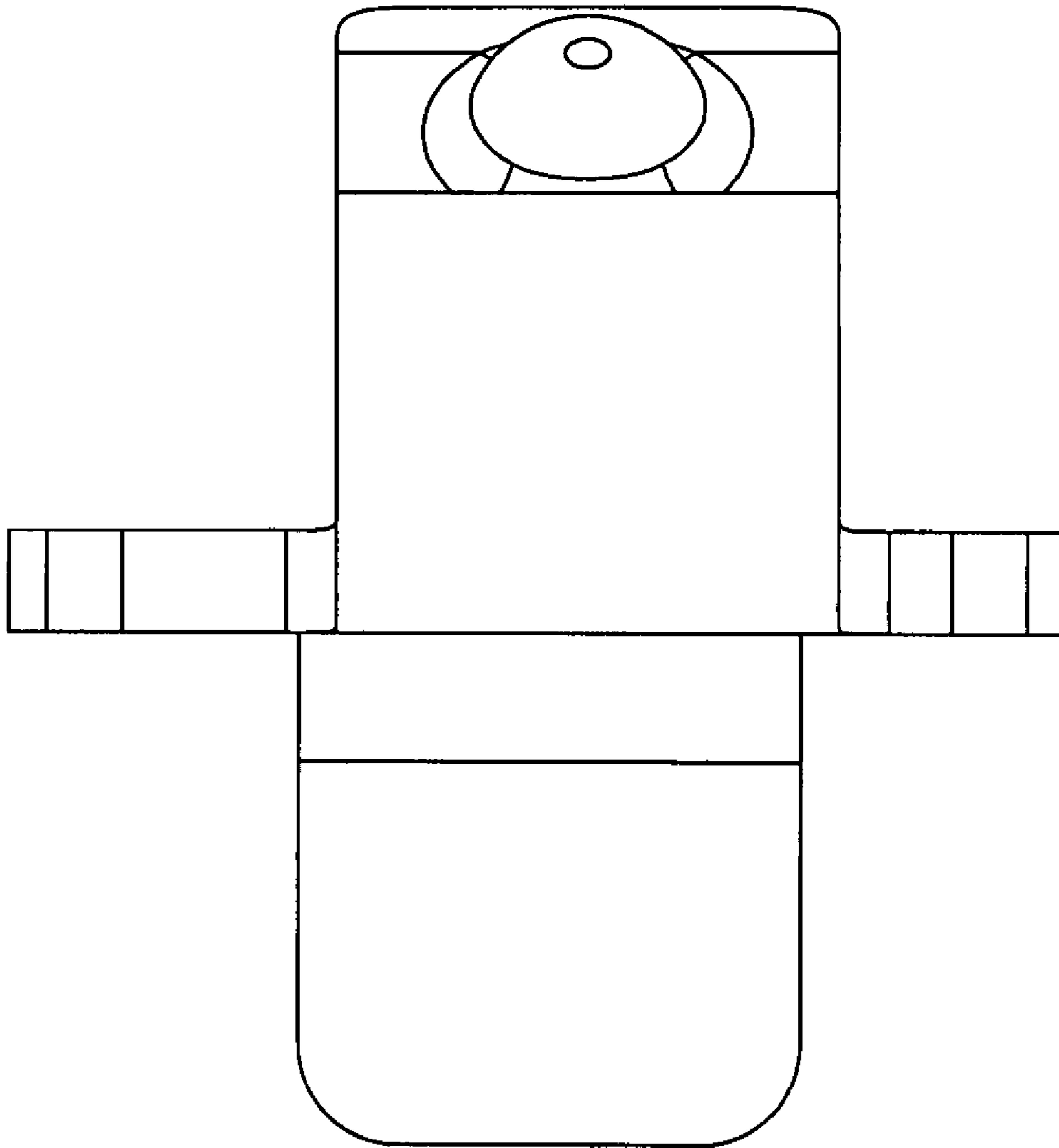


FIG. 7