



US00D569801S

(12) **United States Design Patent**
Chuang

(10) **Patent No.:** **US D569,801 S**

(45) **Date of Patent:** **** May 27, 2008**

(54) **ELECTRICAL CONTACT**

(75) Inventor: **Shun-Jung Chuang**, Tu-cheng (TW)

(73) Assignee: **Hon Hai Precision Ind. Co., Ltd.**,
Taipei Hsien (TW)

(**) Term: **14 Years**

(21) Appl. No.: **29/291,564**

(22) Filed: **Sep. 4, 2007**

(51) **LOC (8) Cl.** **13-03**

(52) **U.S. Cl.** **D13/133; D13/154**

(58) **Field of Classification Search** D13/133,
D13/146-147, 154, 184, 199; 439/607-610,
439/849-850, 870, 877, 884-885, 887-891
See application file for complete search history.

(56) **References Cited**

U.S. PATENT DOCUMENTS

D409,143 S * 5/1999 Yoshiura D13/133
6,315,621 B1 * 11/2001 Natori et al. 439/862
6,984,130 B2 * 1/2006 Richter et al. 439/66
7,156,705 B2 * 1/2007 Soh 439/862

D556,131 S * 11/2007 Chien D13/133
2001/0049236 A1 * 12/2001 Bechaz et al. 439/834
2005/0176309 A1 * 8/2005 Soh 439/862
2007/0224890 A1 * 9/2007 Chien et al. 439/862

* cited by examiner

Primary Examiner—Daniel Bui

(74) *Attorney, Agent, or Firm*—Wei Te Chung

(57) **CLAIM**

The ornamental design for an electrical contact, as shown.

DESCRIPTION

FIG. 1 is a front, top and left side perspective view of an electrical contact showing my new design;

FIG. 2 is a front elevational view thereof;

FIG. 3 is a rear elevational view thereof;

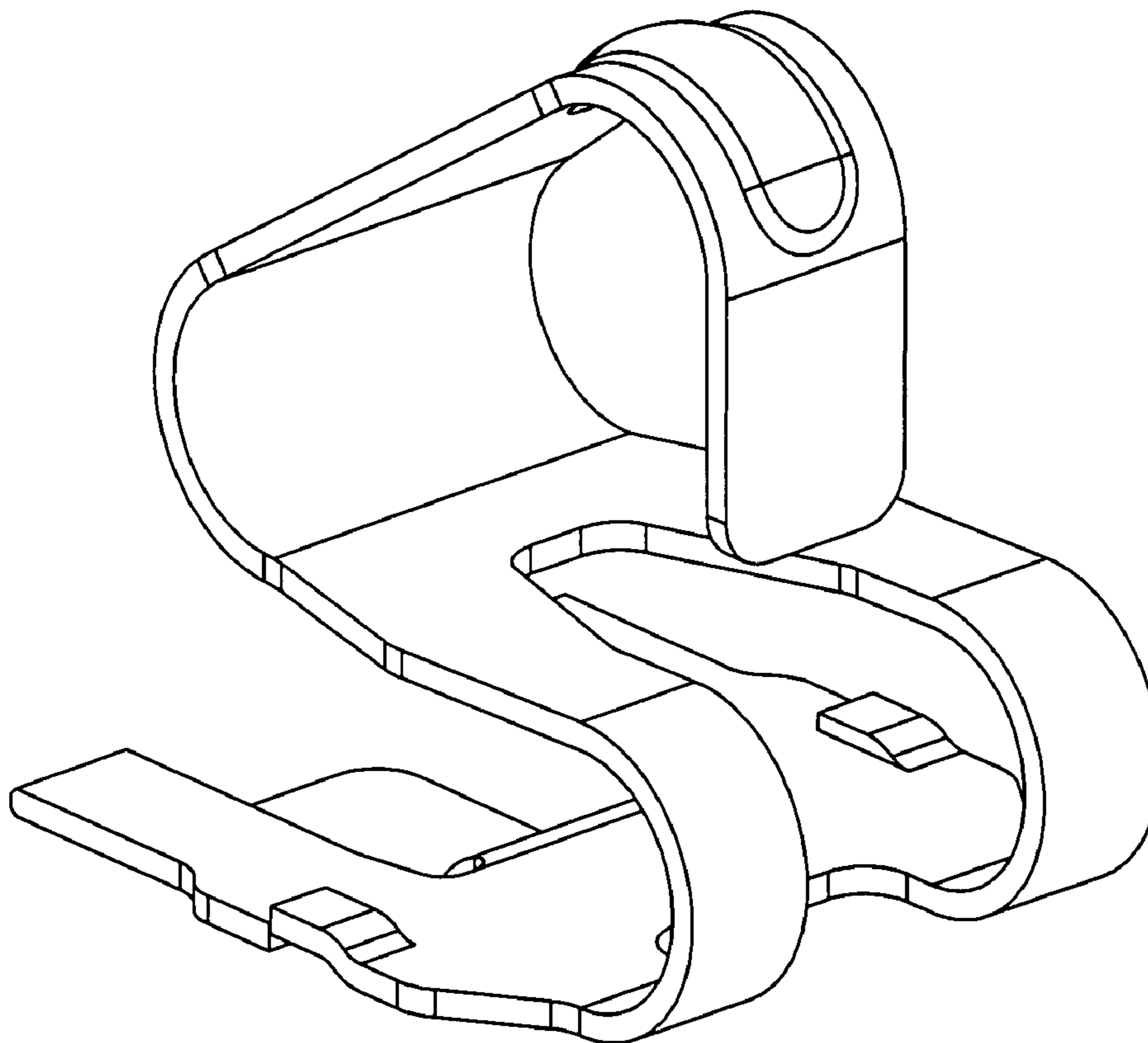
FIG. 4 is a left side elevational view thereof;

FIG. 5 is a right side elevational view thereof;

FIG. 6 is a top plan view thereof; and,

FIG. 7 is a bottom plan view thereof.

1 Claim, 7 Drawing Sheets



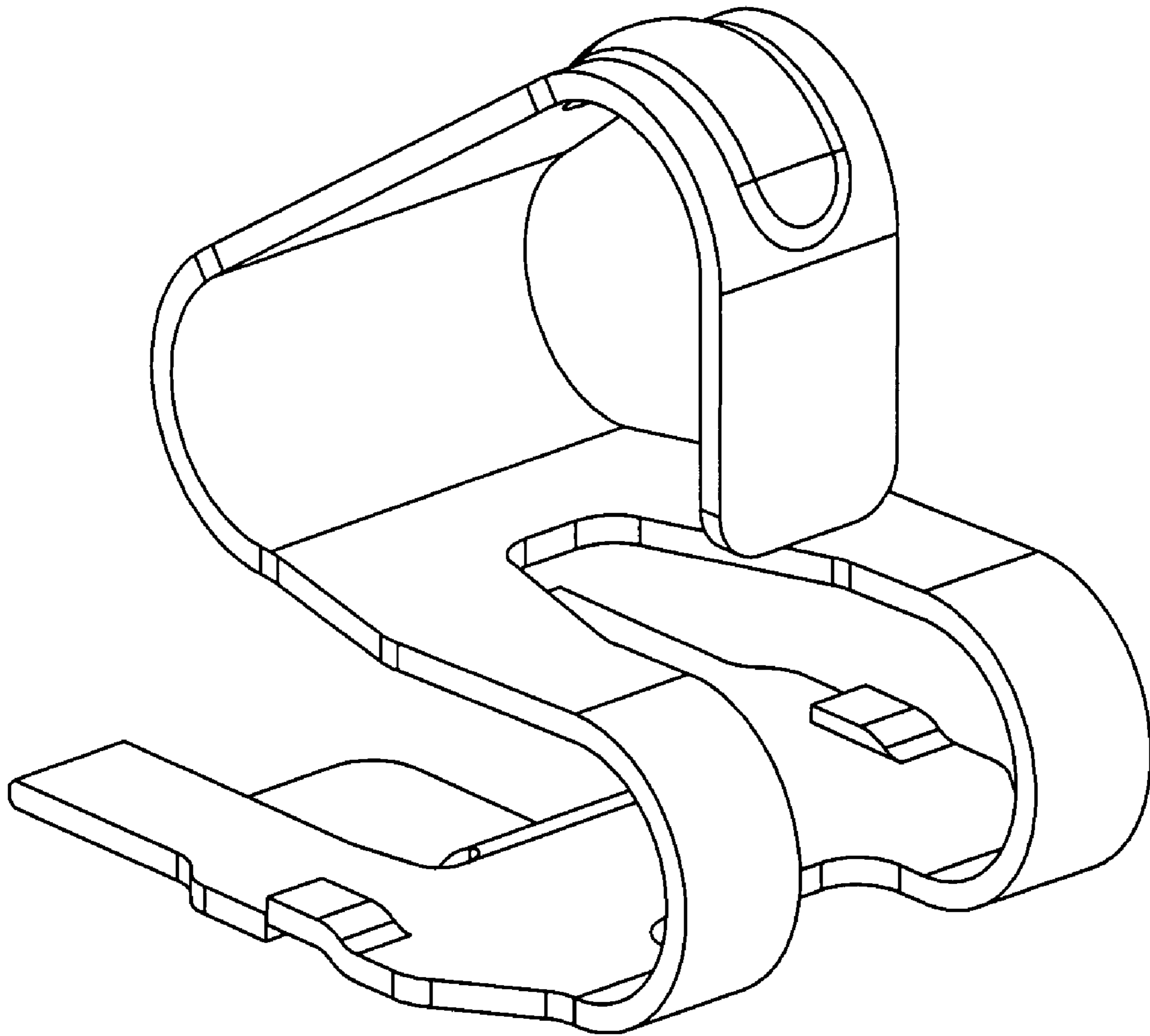


FIG. 1

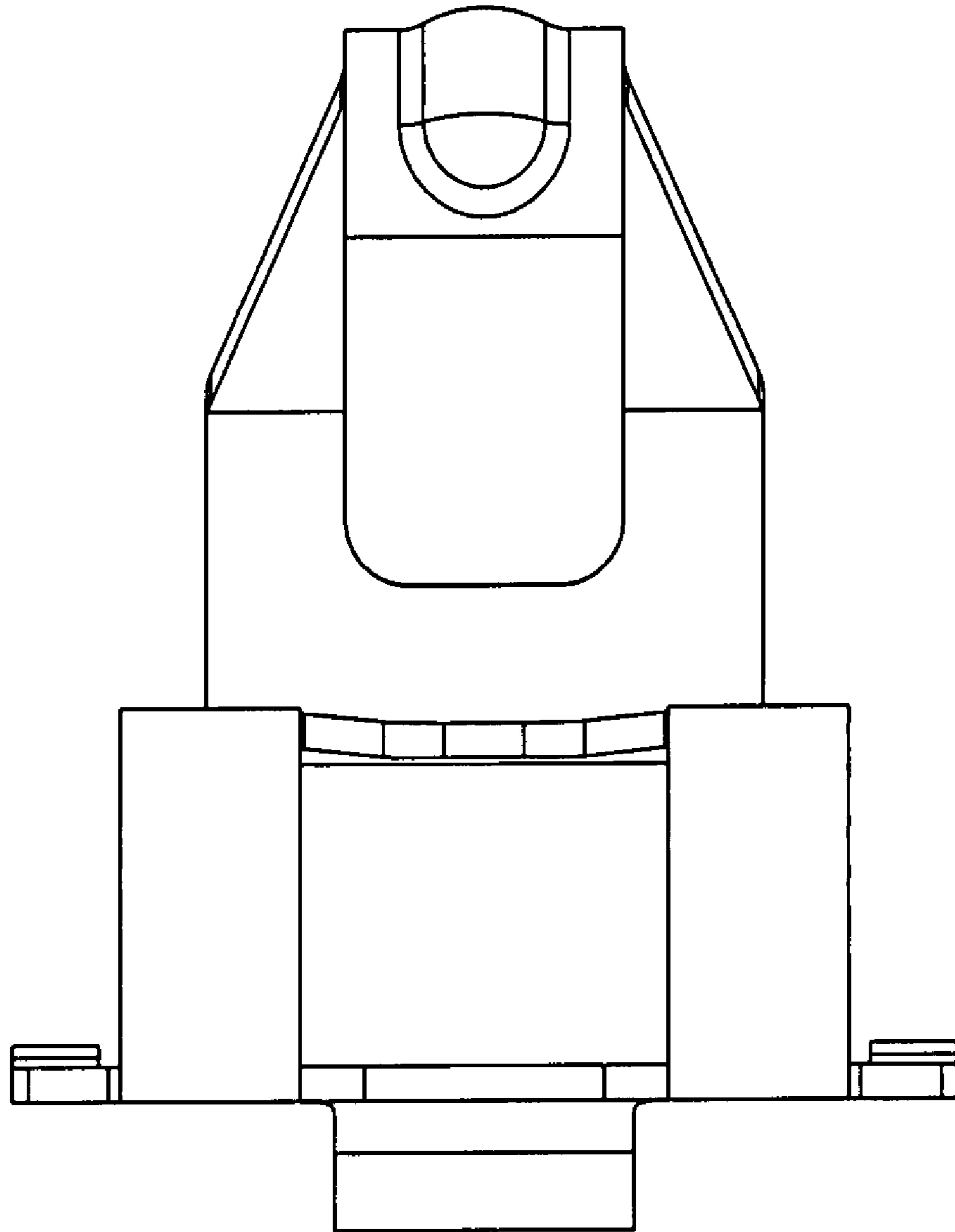


FIG. 2

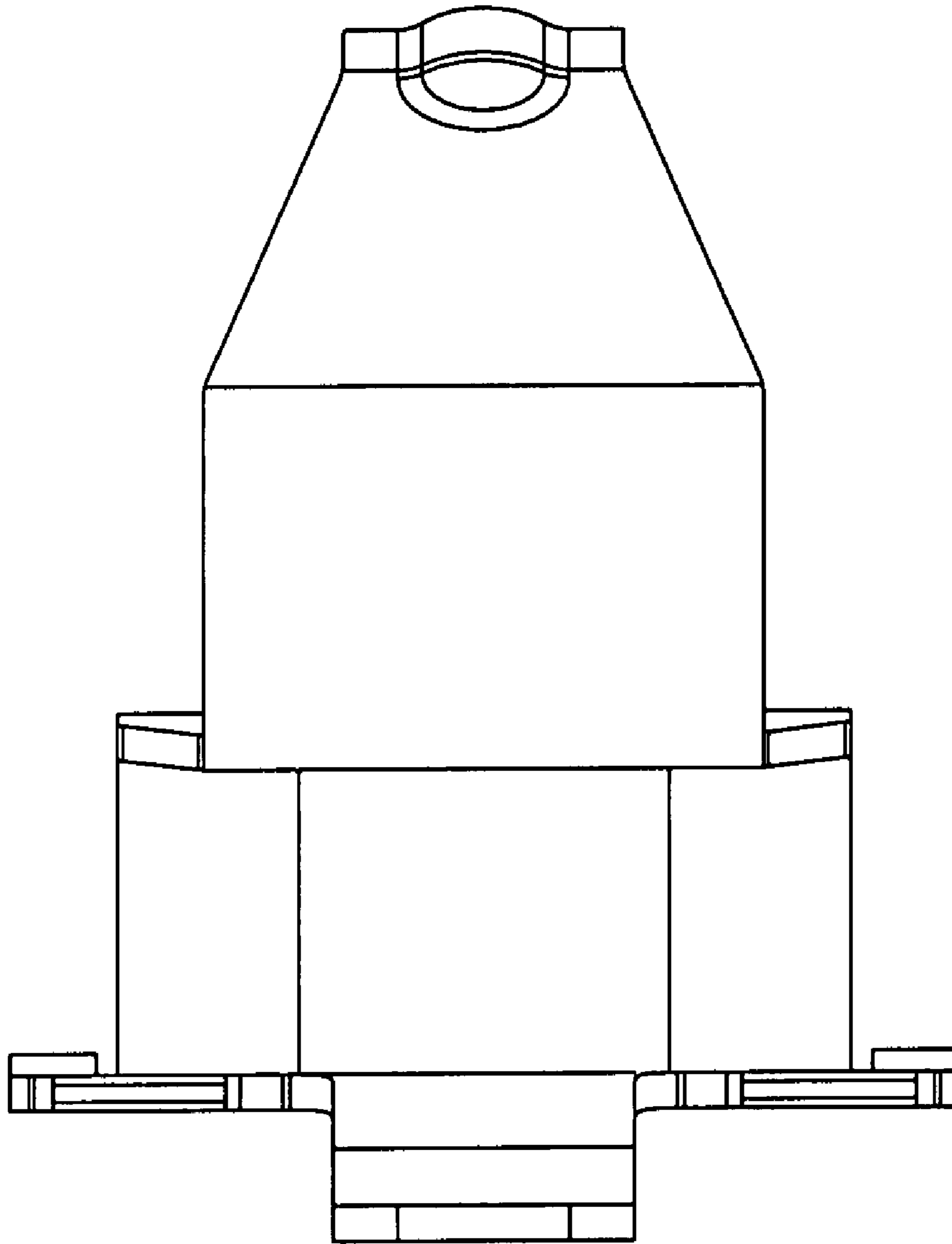


FIG. 3

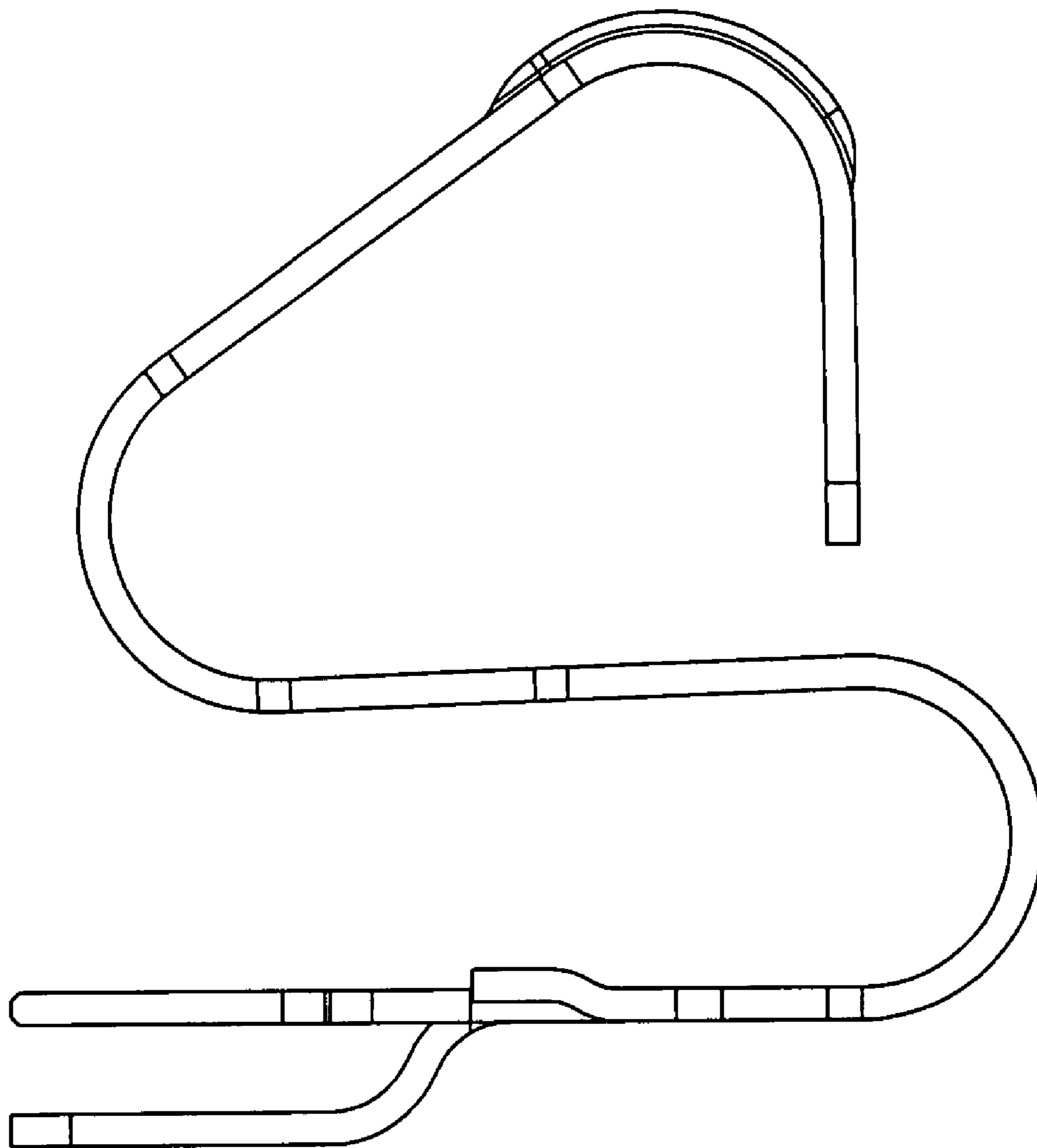


FIG. 4

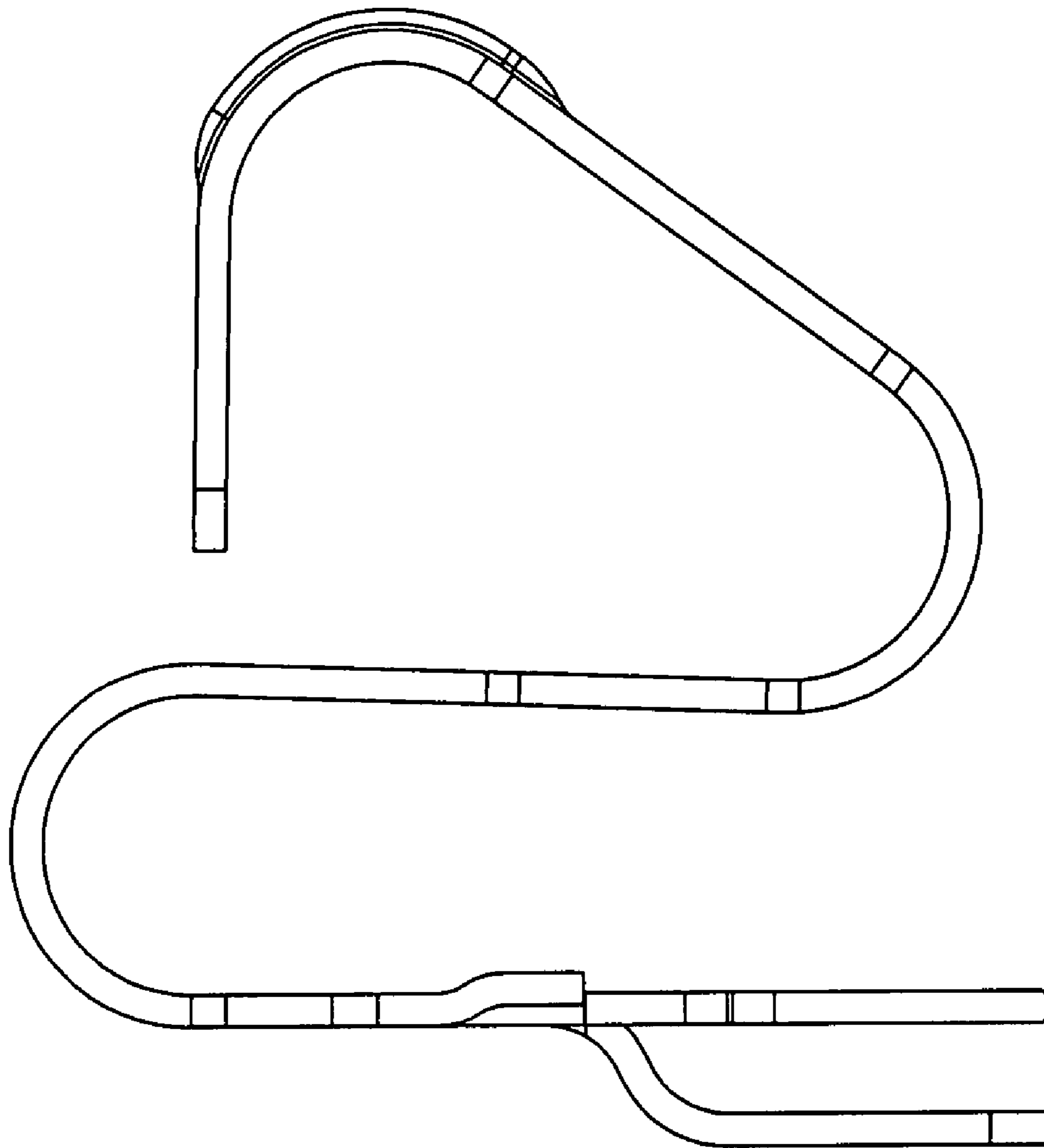


FIG. 5

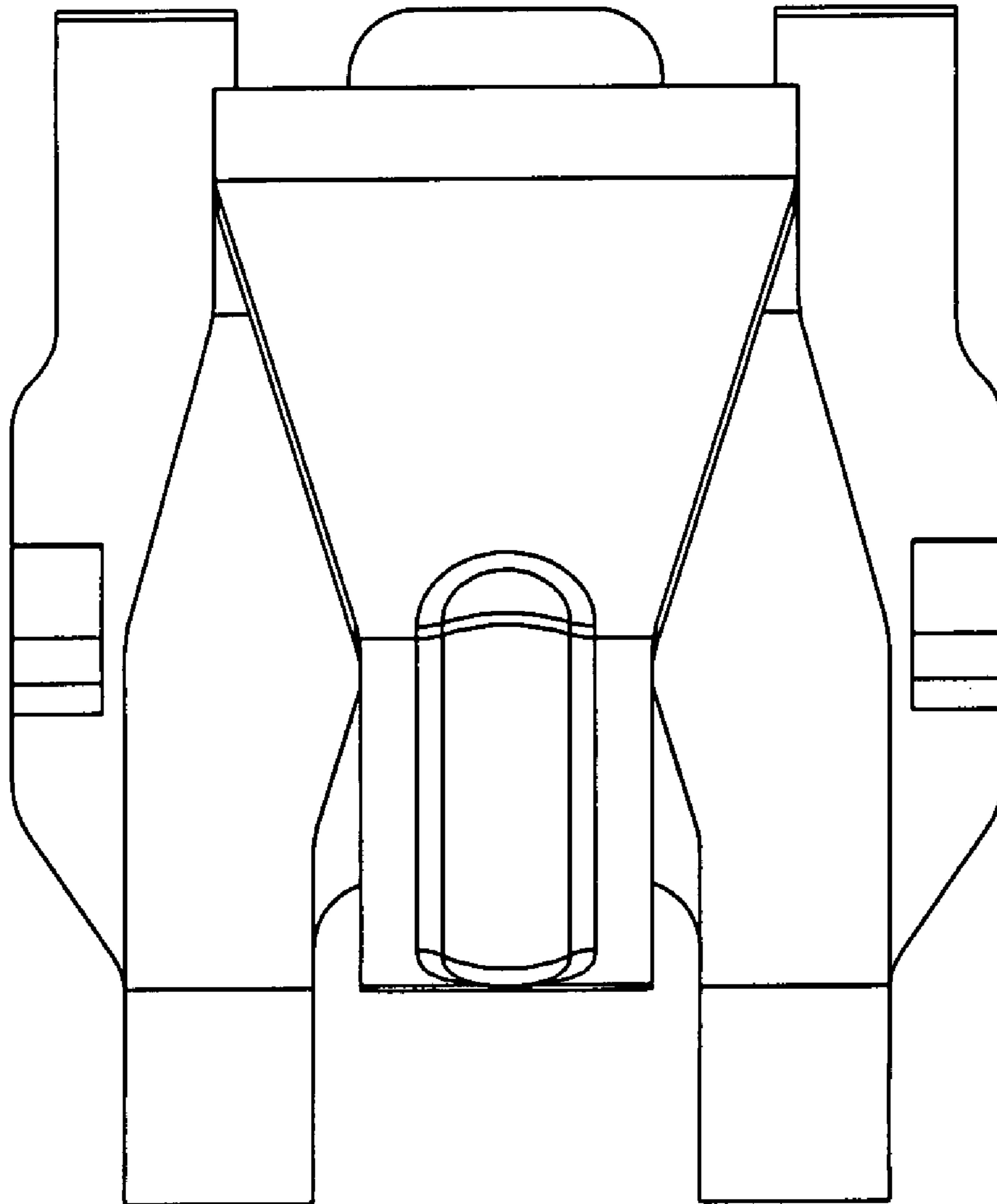


FIG. 6

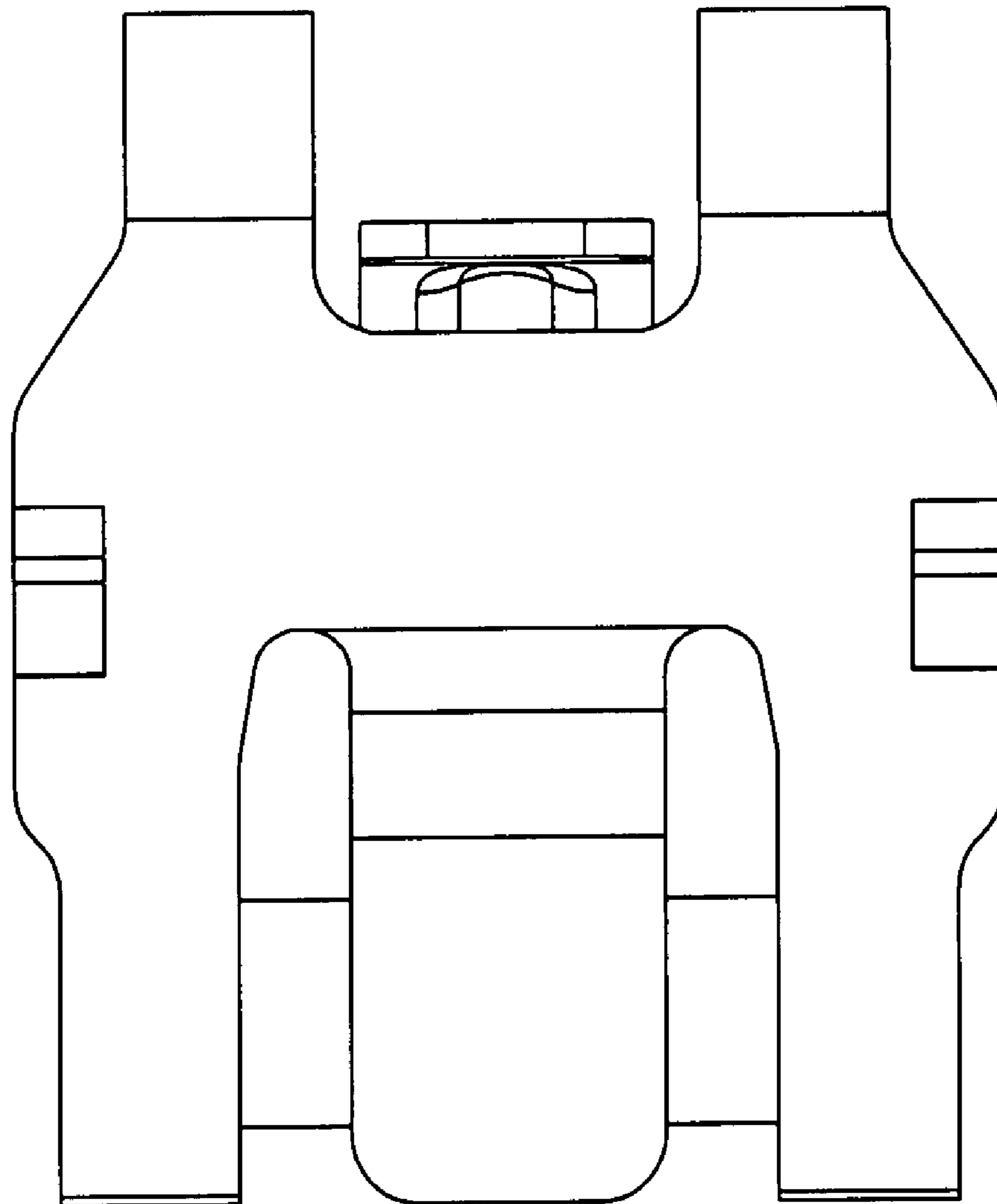


FIG. 7