



US00D569799S

(12) **United States Design Patent**
Kawahito et al.

(10) **Patent No.:** **US D569,799 S**

(45) **Date of Patent:** **** May 27, 2008**

(54) **SOLID ELECTROLYTIC CAPACITOR**

(75) Inventors: **Kazuo Kawahito**, Osaka (JP); **Kenji Kuranuki**, Kyoto (JP); **Junichi Kurita**, Osaka (JP); **Takashi Iwakiri**, Kyoto (JP)

(73) Assignee: **Matsushita Electric Industrial Co., Ltd.**, Osaka (JP)

(**) Term: **14 Years**

(21) Appl. No.: **29/252,035**

(22) Filed: **Jan. 17, 2006**

(30) **Foreign Application Priority Data**

Nov. 4, 2005 (JP) 2005-032377

(51) **LOC (8) Cl.** **13-03**

(52) **U.S. Cl.** **D13/125**

(58) **Field of Classification Search** D13/118,
D13/123-125, 133, 184, 199; 320/2; 361/523,
361/535, 536, 538, 539, 540, 271, 277, 301.1,
361/328-330, 763; 429/178

See application file for complete search history.

(56) **References Cited**

U.S. PATENT DOCUMENTS

D337,567 S * 7/1993 Iijima et al. D13/123
D353,575 S * 12/1994 Macomber D13/125

6,023,406 A * 2/2000 Kinoshita et al. 361/277
6,081,418 A * 6/2000 Kuranuki et al. 361/523
2006/0203420 A1* 9/2006 Okuyama 361/271

FOREIGN PATENT DOCUMENTS

JP D1222178 11/2004
JP D1242287 6/2005

* cited by examiner

Primary Examiner—Daniel Bui

Assistant Examiner—Thomas J Johannes

(74) *Attorney, Agent, or Firm*—Brinks Hofer Gilson & Lione

(57) **CLAIM**

We claim the ornamental design for a solid electrolytic capacitor, as shown and described.

DESCRIPTION

FIG. 1 is a top perspective view of a solid electrolytic capacitor of the present invention;

FIG. 2 is a front view thereof;

FIG. 3 is a first side view thereof;

FIG. 4 is a top view thereof;

FIG. 5 is a bottom view thereof;

FIG. 6 is a second side view thereof; and,

FIG. 7 is a rear view thereof.

1 Claim, 3 Drawing Sheets

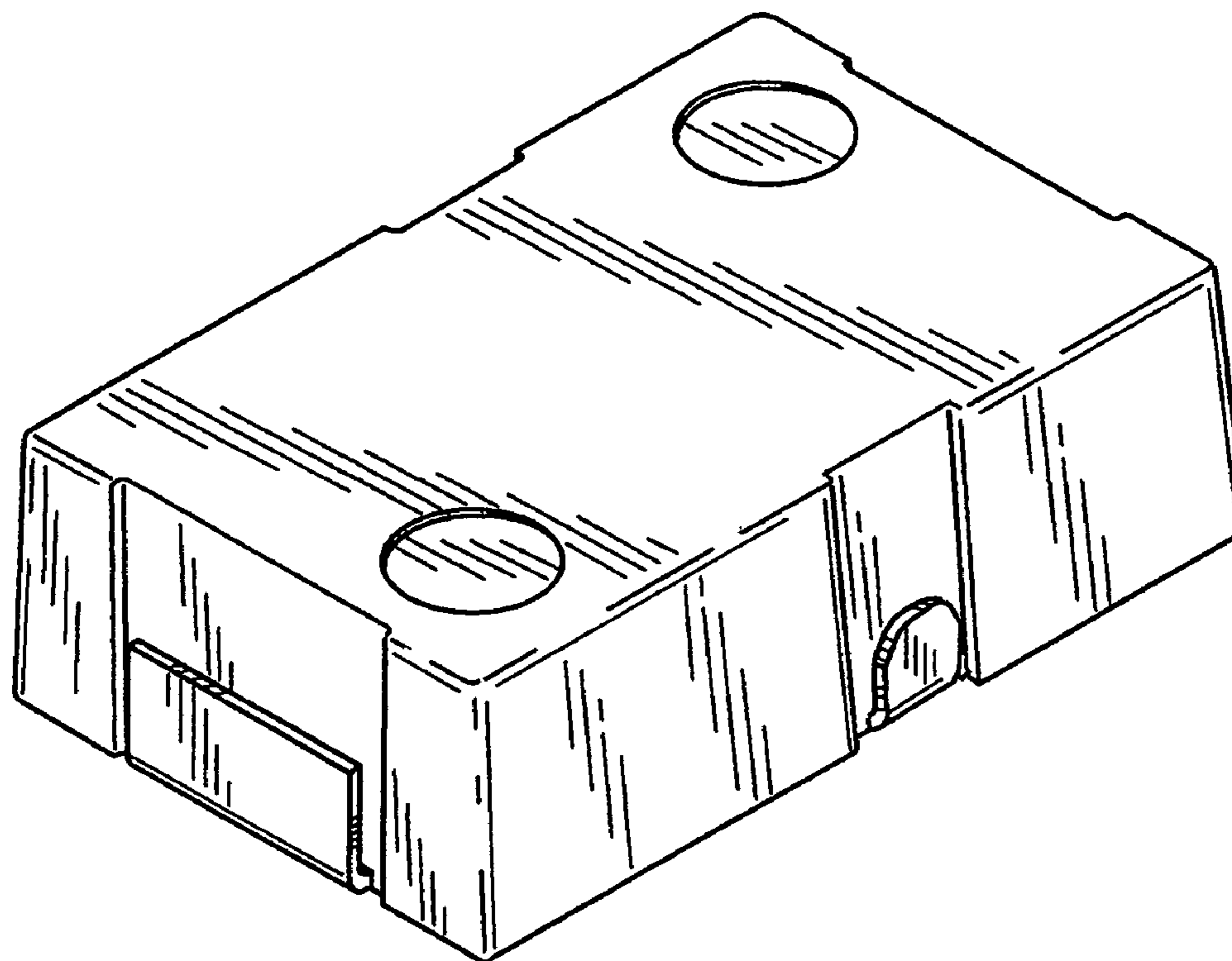


FIG. 1

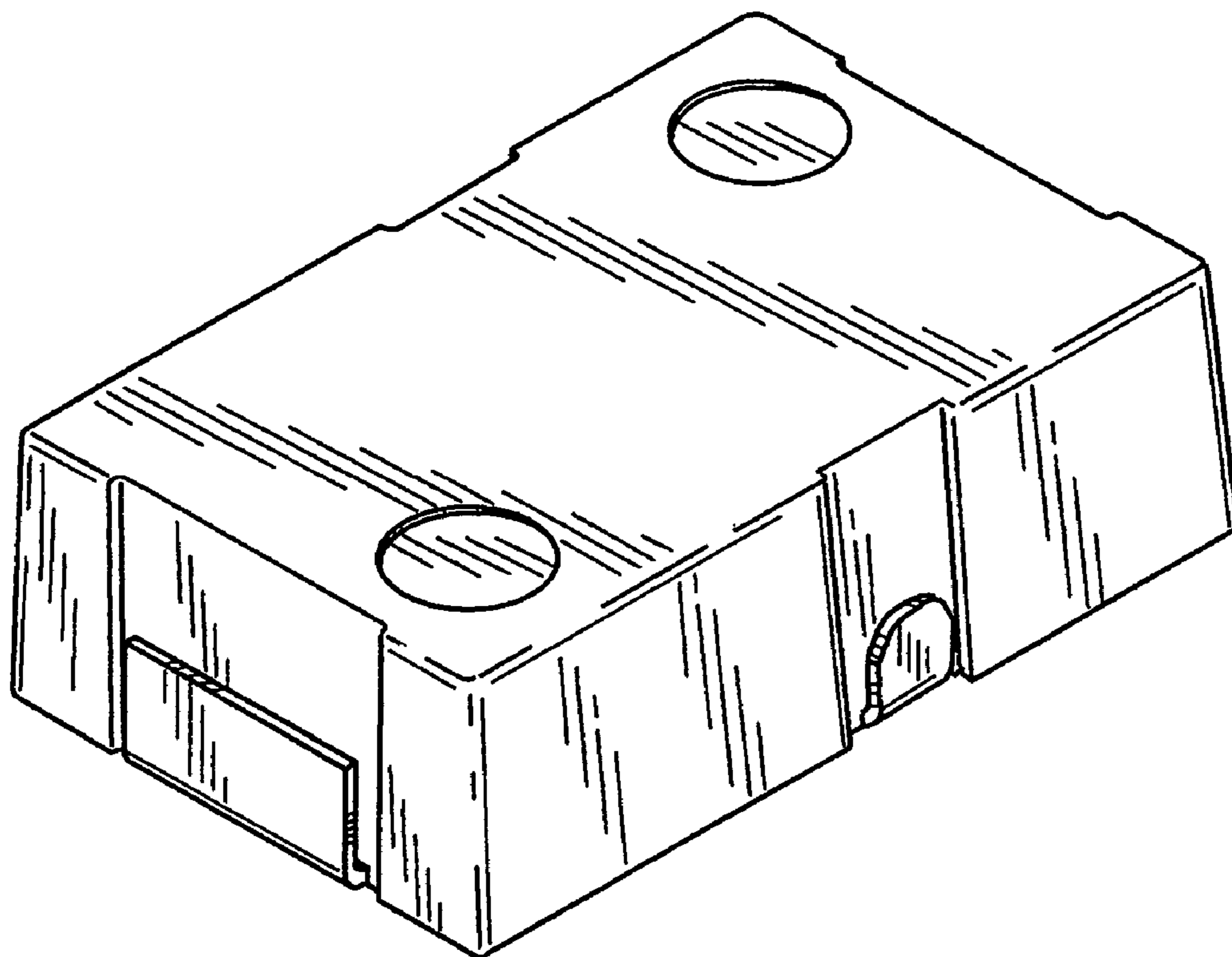


FIG. 2

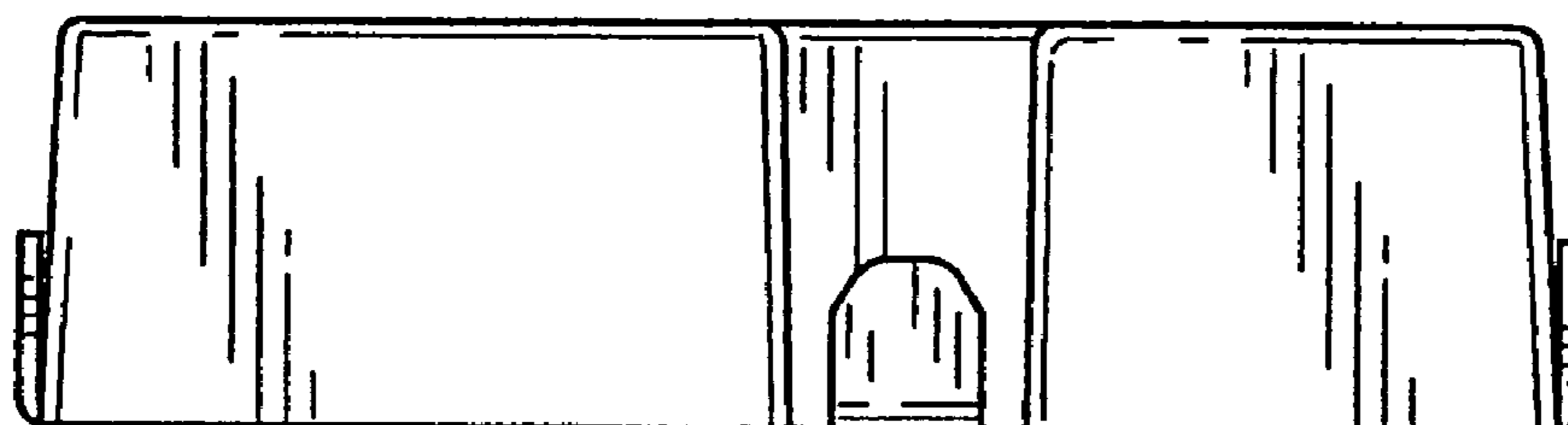


FIG.3

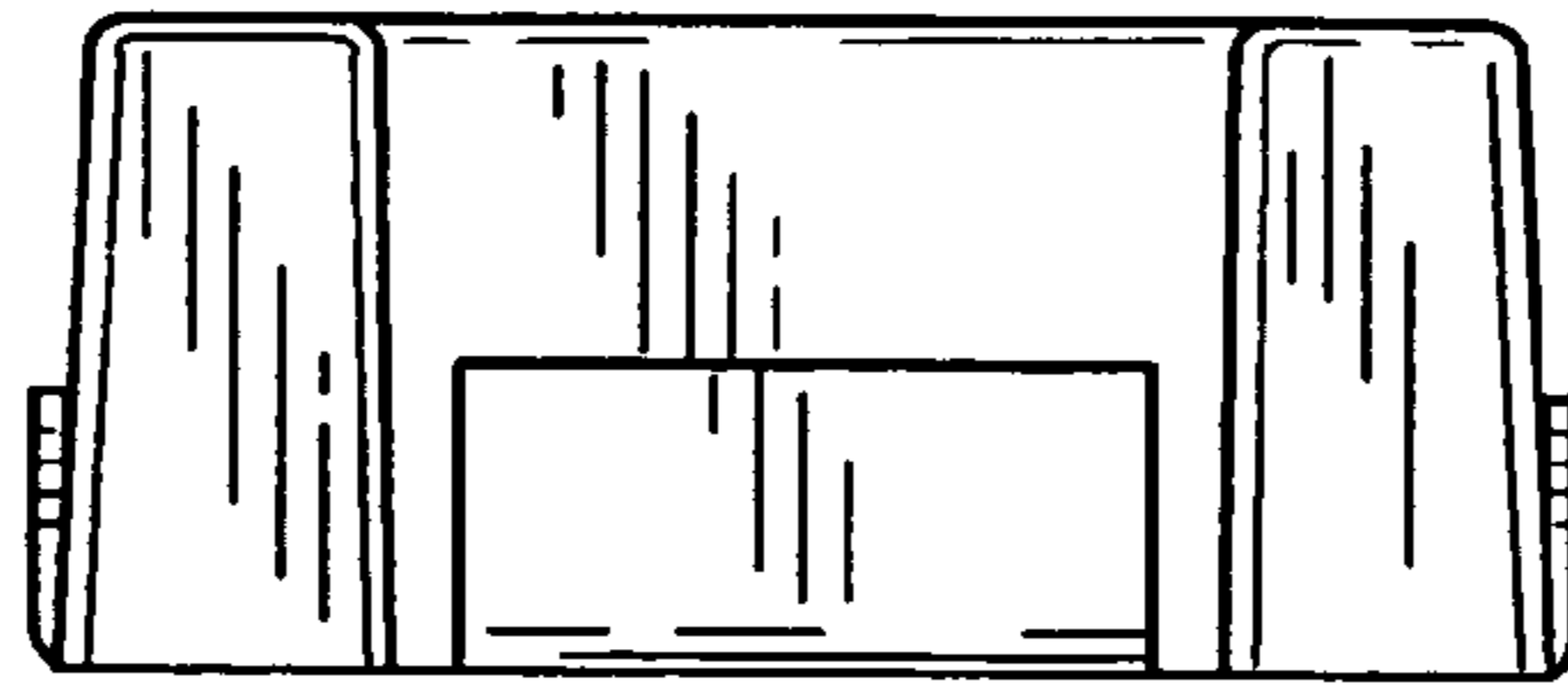


FIG.4

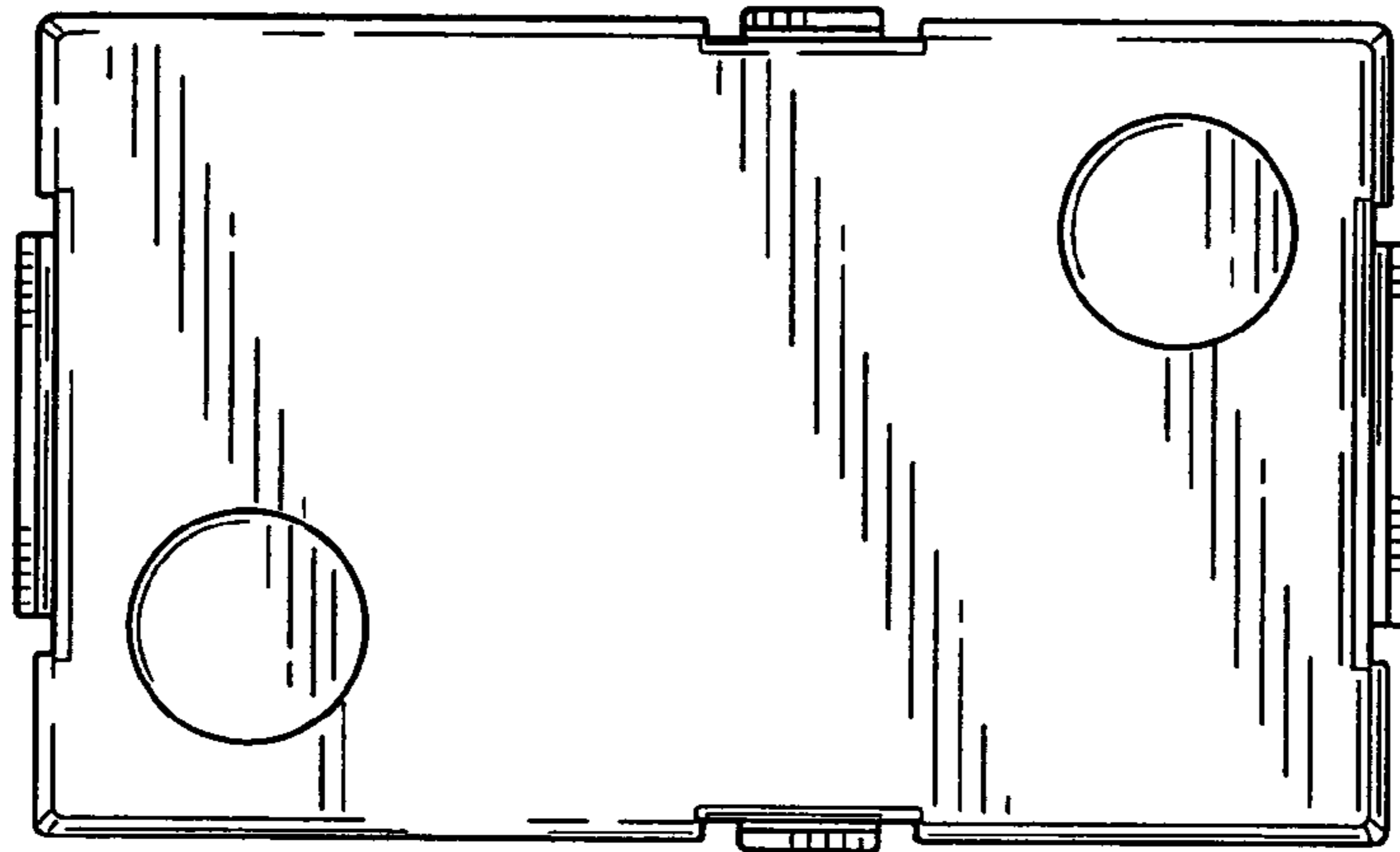


FIG.5

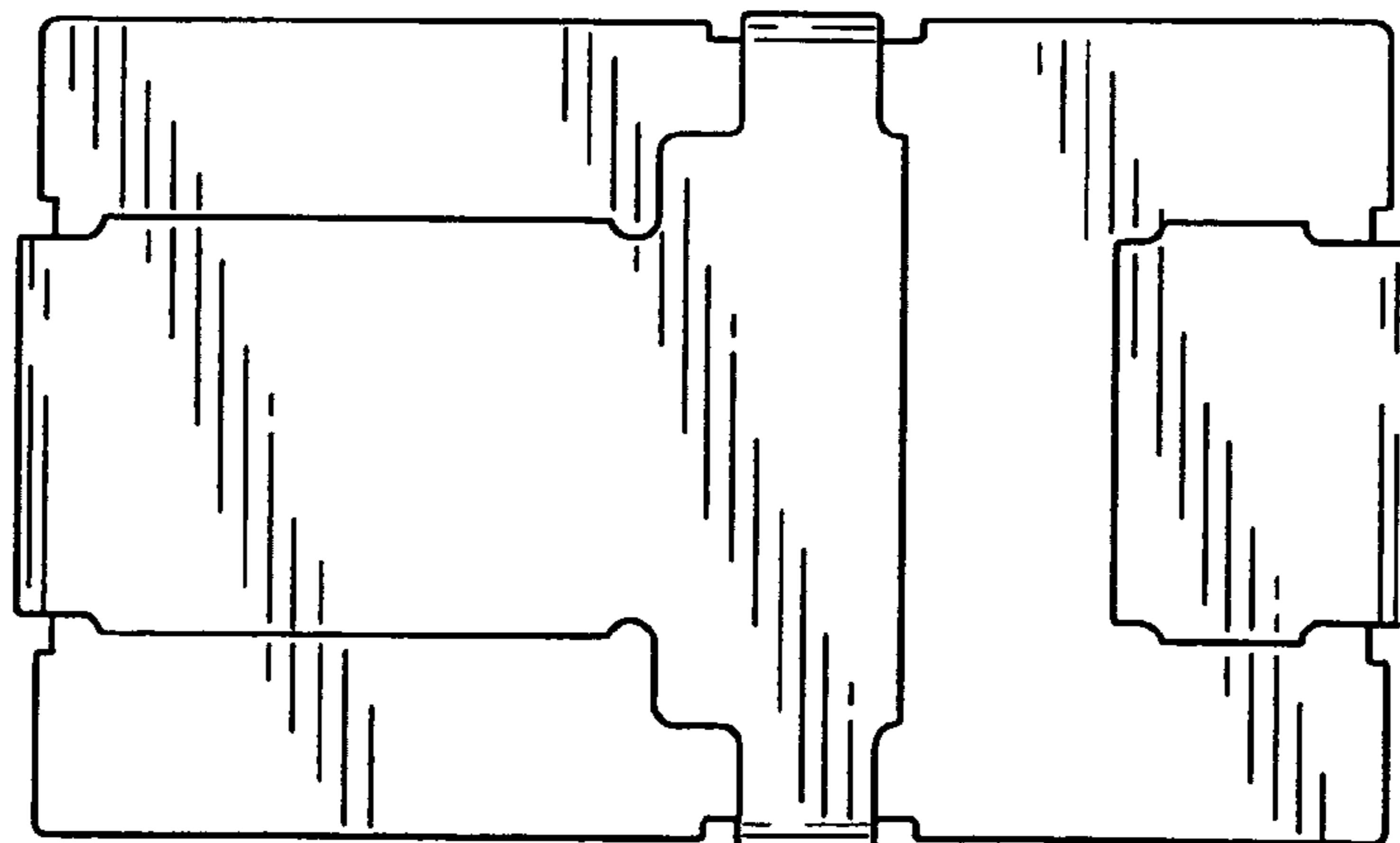


FIG.6

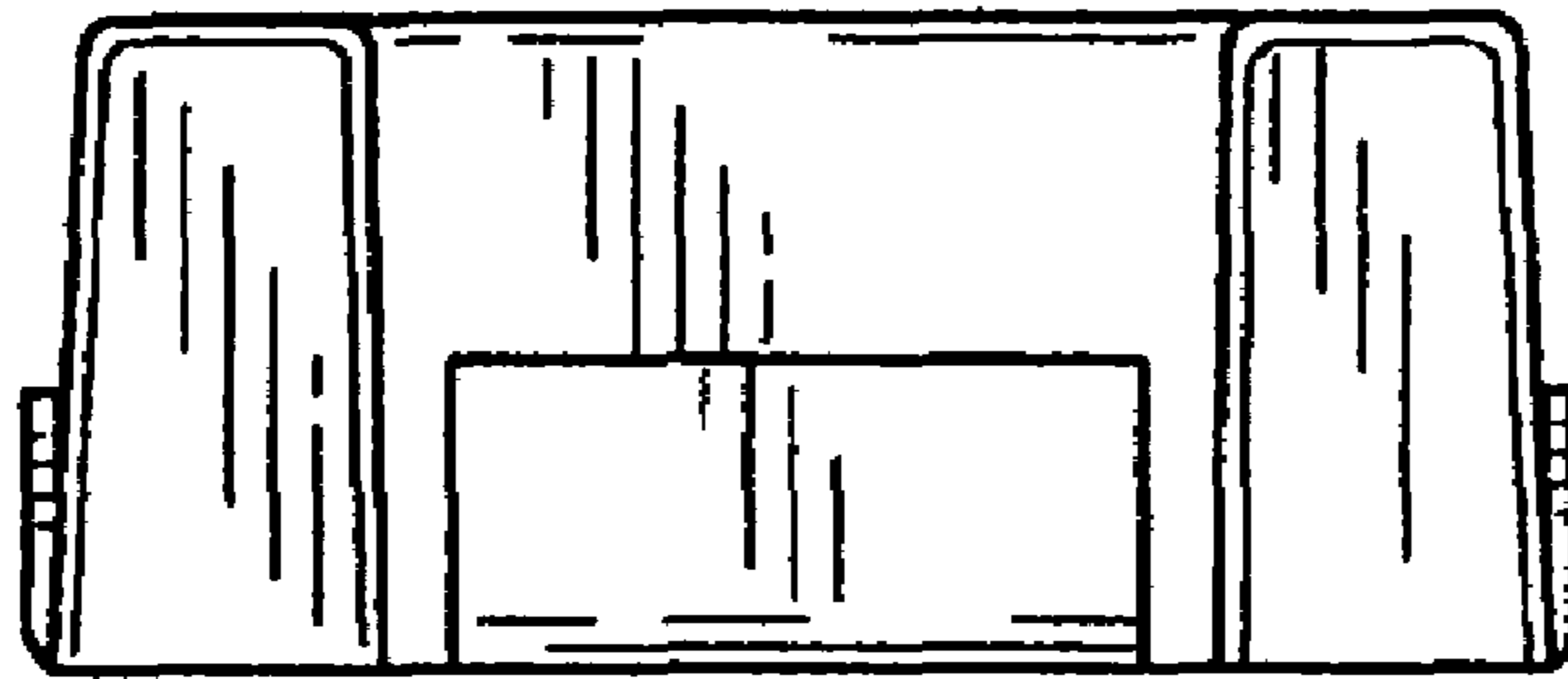


FIG.7

