



US00D569797S

(12) **United States Design Patent**  
**Neitzel**

(10) **Patent No.:** **US D569,797 S**

(45) **Date of Patent:** **\*\* May 27, 2008**

(54) **MODULE FOR MODULAR**

(75) Inventor: **Roger S. Neitzel**, Escondido, CA (US)

(73) Assignee: **Rain Bird Corporation**, Azusa, CA (US)

(\*\*) Term: **14 Years**

(21) Appl. No.: **29/238,776**

(22) Filed: **Sep. 20, 2005**

**Related U.S. Application Data**

(63) Continuation-in-part of application No. 11/022,179, filed on Dec. 23, 2004.

(51) **LOC (8) Cl.** ..... **13-03**

(52) **U.S. Cl.** ..... **D13/123**

(58) **Field of Classification Search** ..... D13/123-127, D13/158, 159, 162, 164, 184, 199; 439/629; D10/103, 164, 96; D14/422, 434; D18/54, D18/56; D23/245, 325, 232; 33/520; 137/377, 137/624.11, 624, 624.18; 200/50.01-50.16, 200/337, 333, 280, 303, 293, 294, 297; 239/69, 239/70; 331/131-133, 202, 196, 262, 251; 524/41, 119, 136, 142, 415; 700/284  
See application file for complete search history.

(56) **References Cited**

**U.S. PATENT DOCUMENTS**

- D253,843 S \* 1/1980 Fernandez ..... D23/245
- D362,659 S \* 9/1995 Hedding et al. .... D13/162
- D398,900 S \* 9/1998 Roman ..... D13/123
- D398,901 S \* 9/1998 Roman ..... D13/123
- 5,853,302 A \* 12/1998 Roman et al. .... 439/629
- D409,566 S \* 5/1999 Roman ..... D13/123
- D409,584 S \* 5/1999 Fetherolf ..... D14/422
- D417,198 S \* 11/1999 Clifton et al. .... D13/162

- D454,625 S \* 3/2002 Flanagan ..... D23/325
- D457,144 S \* 5/2002 Suen ..... D13/162
- D467,349 S \* 12/2002 Niedbala et al. .... D24/232
- D470,826 S \* 2/2003 Bergmann ..... D13/184
- D512,966 S 12/2005 Cook et al.
- 2005/0267641 A1 12/2005 Nickerson et al.

**OTHER PUBLICATIONS**

U.S. Appl. No. 29/232,061, filed Jun. 14, 2005, Cook et al.

\* cited by examiner

*Primary Examiner*—Daniel Bui

*Assistant Examiner*—Thomas J Johannes

(74) *Attorney, Agent, or Firm*—Fitch, Even, Tabin & Flannery

(57) **CLAIM**

I claim the ornamental design for a module for a modular irrigation controller expansion module, as shown and described.

**DESCRIPTION**

FIG. 1 is a top, front perspective view of a module for modular irrigation controller expansion module showing my new design;

FIG. 2 is a top plan view thereof;

FIG. 3 is a bottom plan view thereof;

FIG. 4 is a left side elevation view thereof;

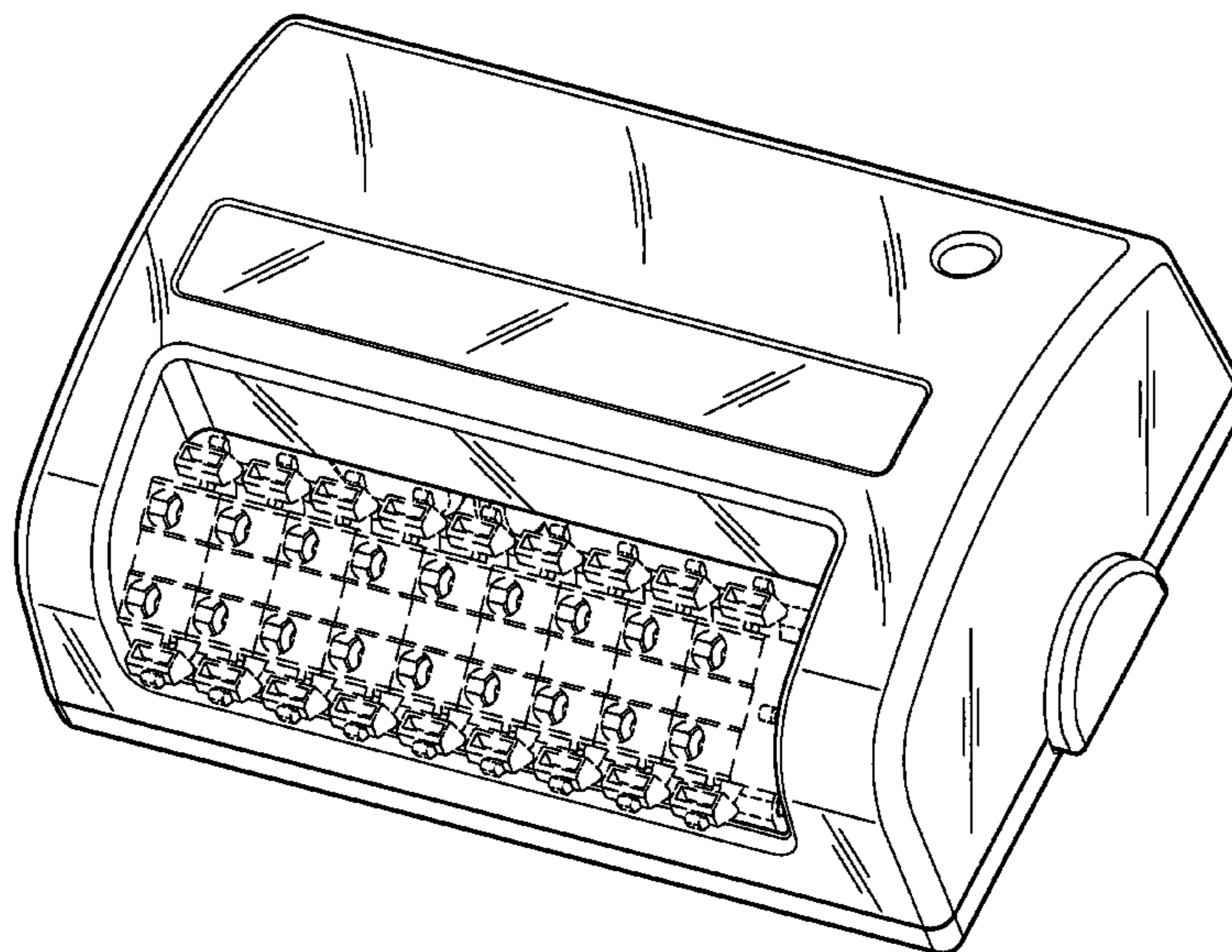
FIG. 5 is a right side elevation view thereof;

FIG. 6 is a front elevation view thereof; and,

FIG. 7 is a rear elevation view thereof.

The broken line showing in the figure drawings is included for illustrative purposes only and forms no part of the claimed design.

**1 Claim, 6 Drawing Sheets**



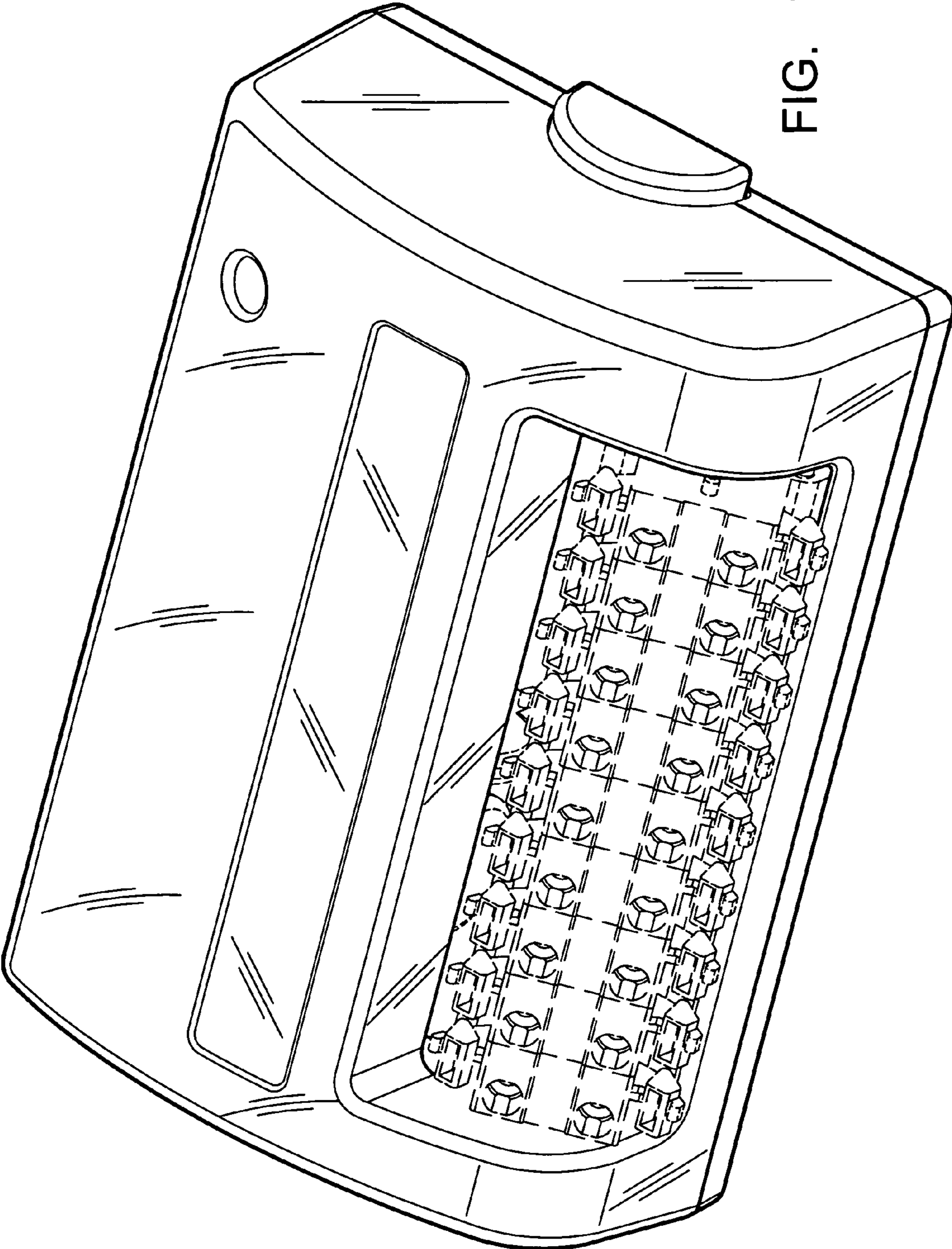


FIG. 1

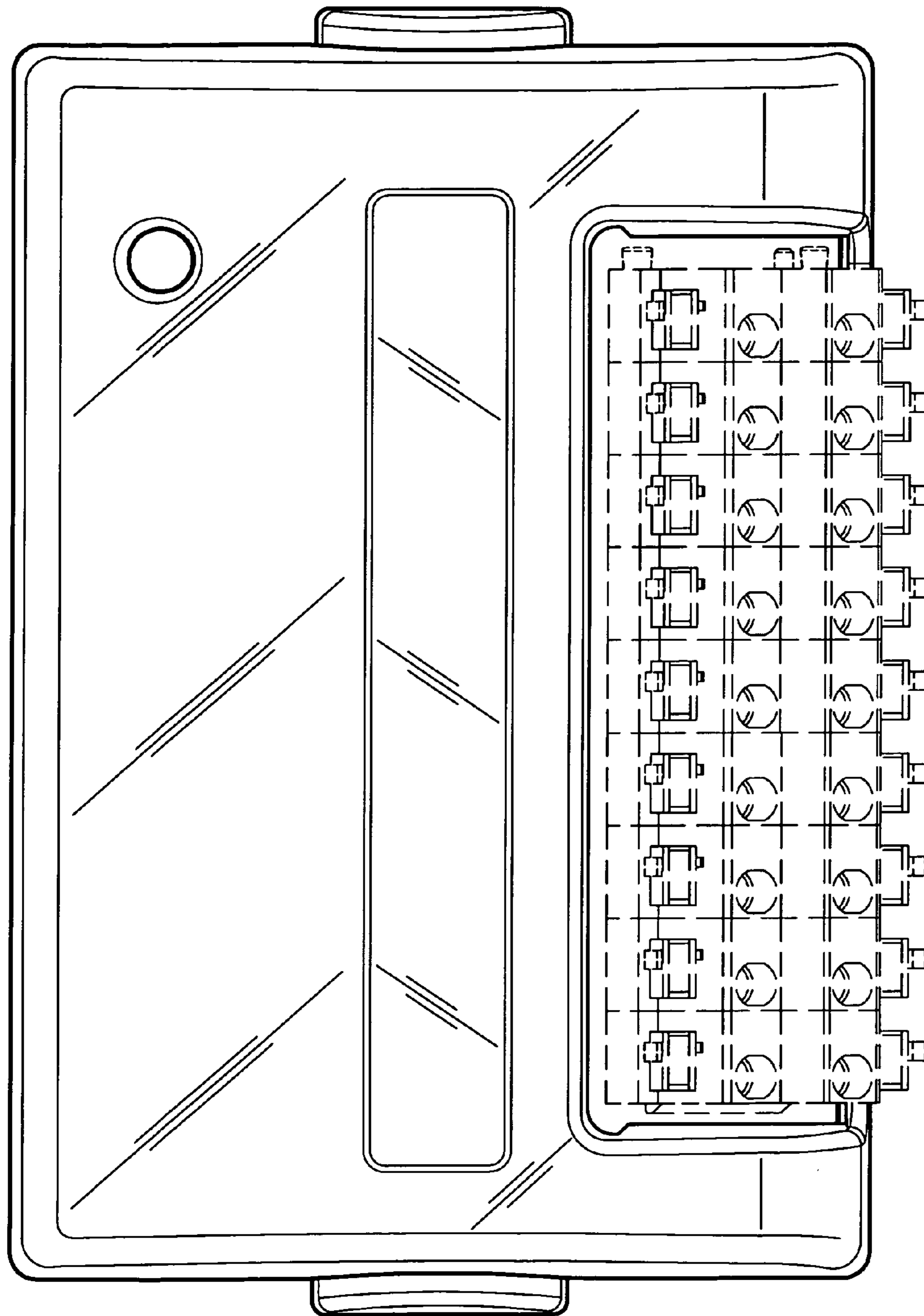


FIG. 2

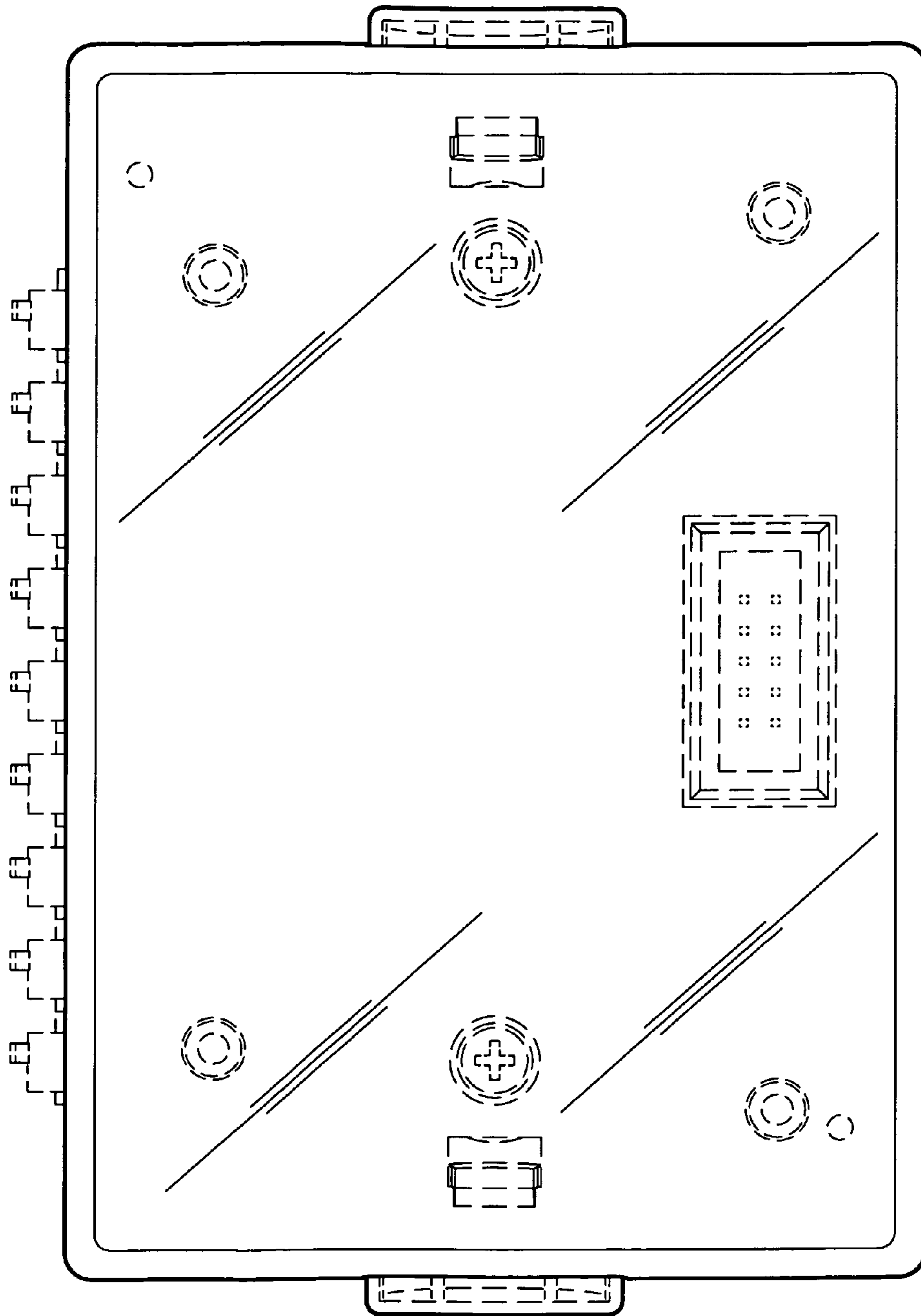


FIG. 3

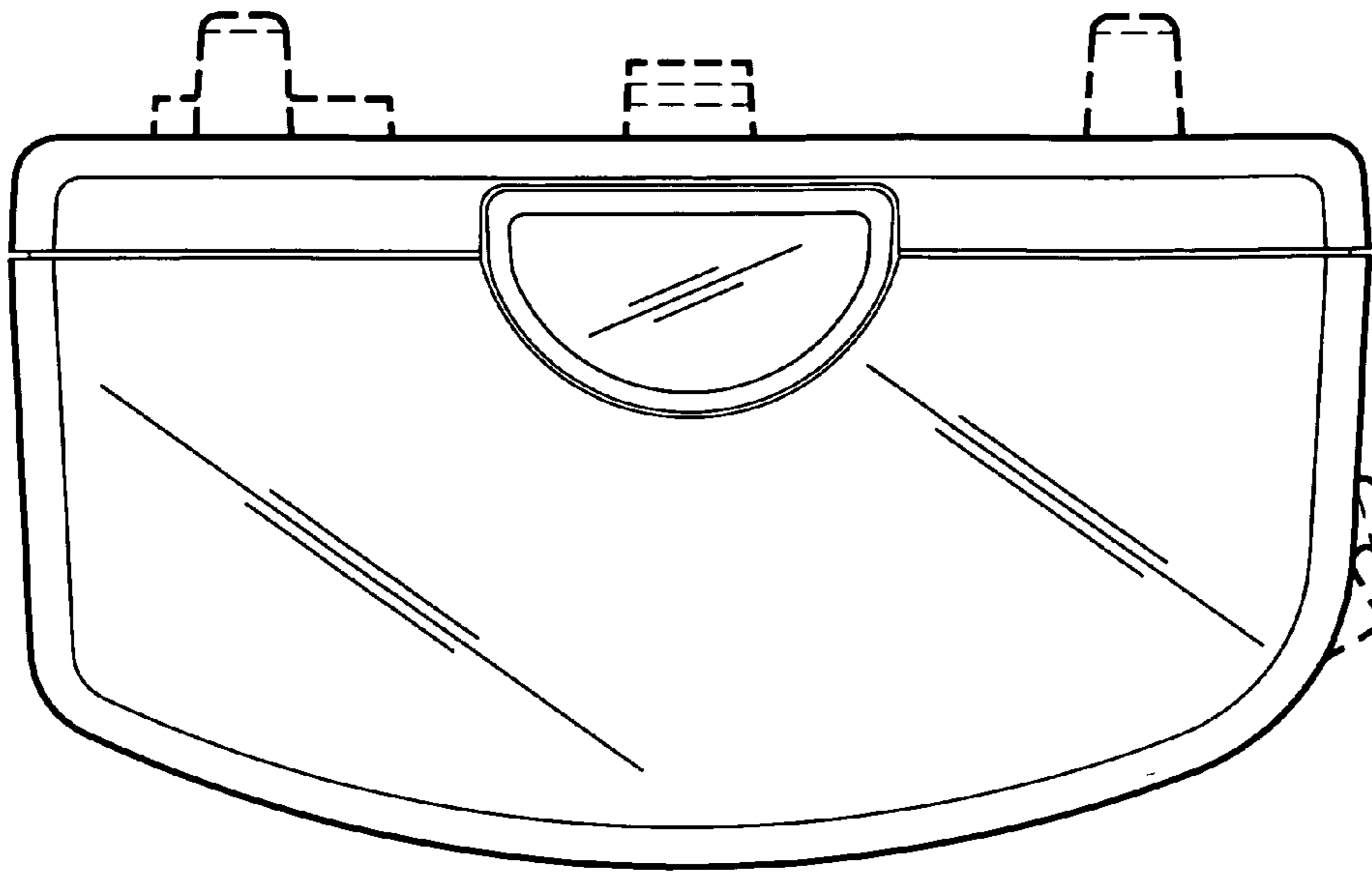


FIG. 5

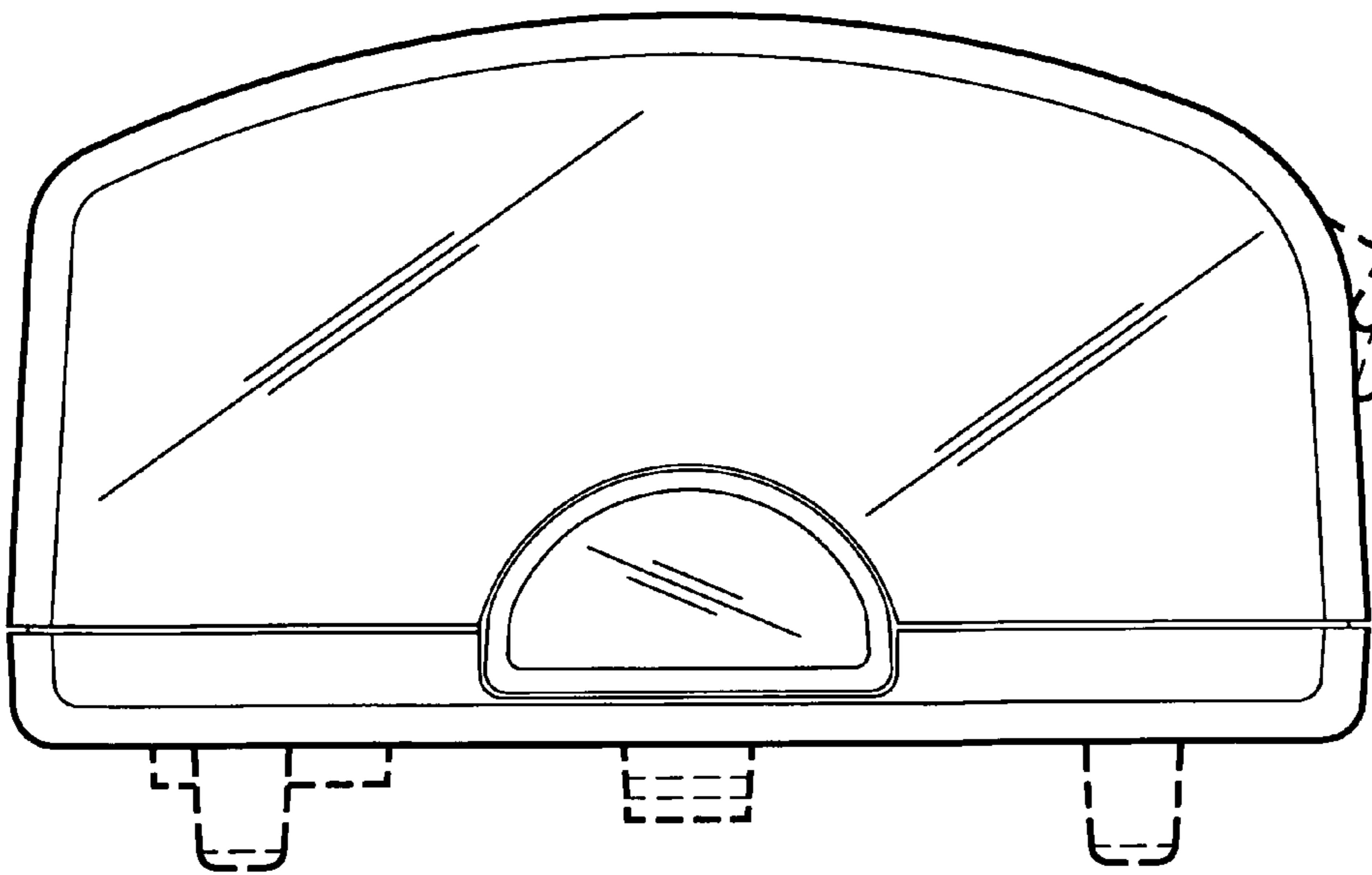


FIG. 4

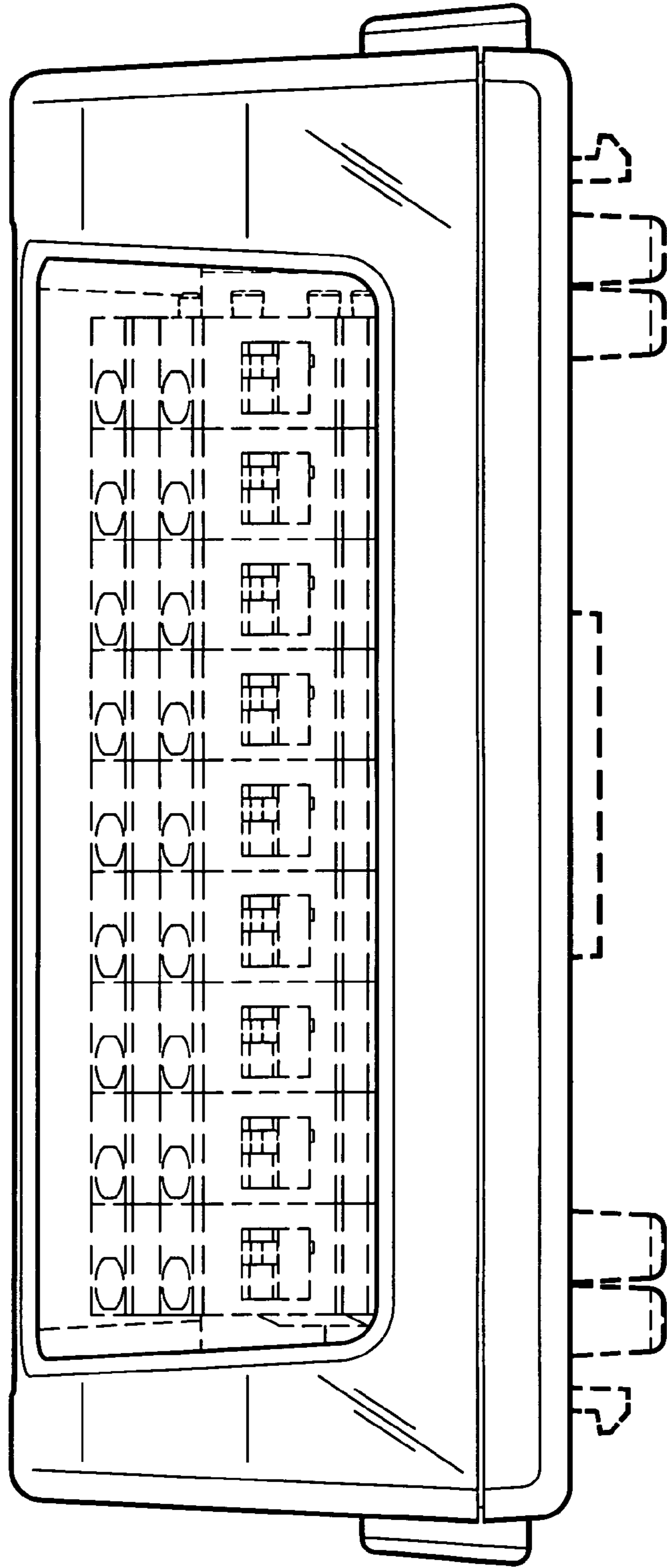


FIG. 6

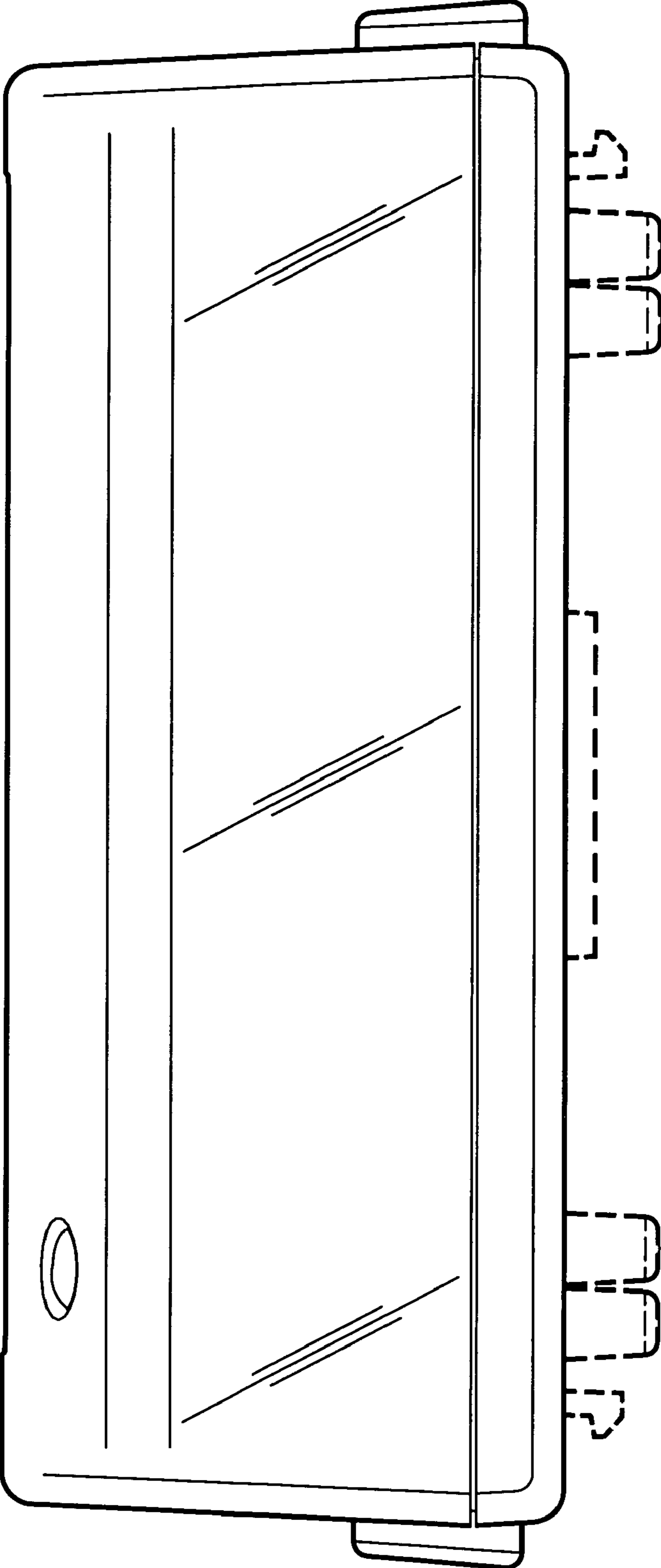


FIG. 7