

US00D569796S

(12) **United States Design Patent**
Snyder

(10) **Patent No.:** **US D569,796 S**

(45) **Date of Patent:** **** May 27, 2008**

(54) **GENERATOR**

(76) **Inventor:** **Douglas D. Snyder**, 11 Technology Way, Steubenville, OH (US) 43952

(**) **Term:** **14 Years**

(21) **Appl. No.:** **29/297,408**

(22) **Filed:** **Nov. 9, 2007**

(51) **LOC (8) Cl.** **13-01**

(52) **U.S. Cl.** **D13/122; D13/114**

(58) **Field of Classification Search** D13/122,
D13/112, 114, 116, 118, 162, 177, 184, 199;
290/1 A, 1 B; 307/150, 153

See application file for complete search history.

(56) **References Cited**

U.S. PATENT DOCUMENTS

- D416,537 S * 11/1999 Imai et al. D13/116
- D441,714 S * 5/2001 Yuzuriha D13/116
- 6,331,740 B1 * 12/2001 Morohoshi et al. 290/1 A
- D472,519 S * 4/2003 Buck D13/114
- D478,043 S * 8/2003 Iwatate et al. D13/116
- D491,524 S * 6/2004 Imai D13/122

OTHER PUBLICATIONS

Triron Generator WT1500, "Original Generator as designed by the inventors supplier which the inventor redesigned in accordance with the claims", Photo dated Jun. 6, 2006.

* cited by examiner

Primary Examiner—Prabhakar Deshmukh

Assistant Examiner—Derrick Holland

(74) *Attorney, Agent, or Firm*—Wood, Herron & Evans, LLP

(57) **CLAIM**

The ornamental design for a generator, as shown and described.

DESCRIPTION

FIG. 1 is a front view of a generator showing my new design;

FIG. 2 is a left side view thereof;

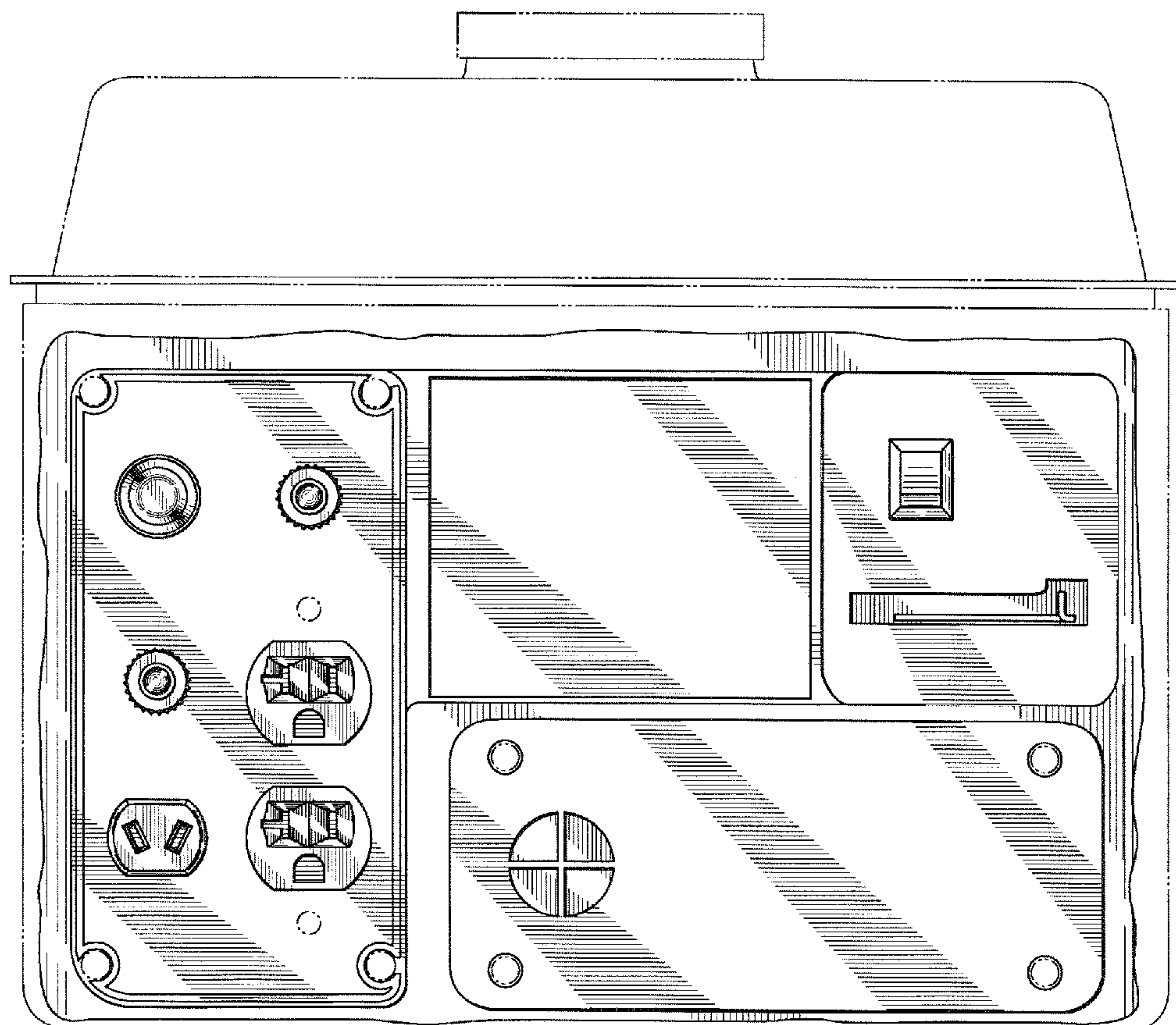
FIG. 3 is a right side view thereof;

FIG. 4 is a top view thereof; and,

FIG. 5 is a bottom view thereof.

The broken lines showing are for illustrative purposes and form no part of the claimed design.

1 Claim, 3 Drawing Sheets



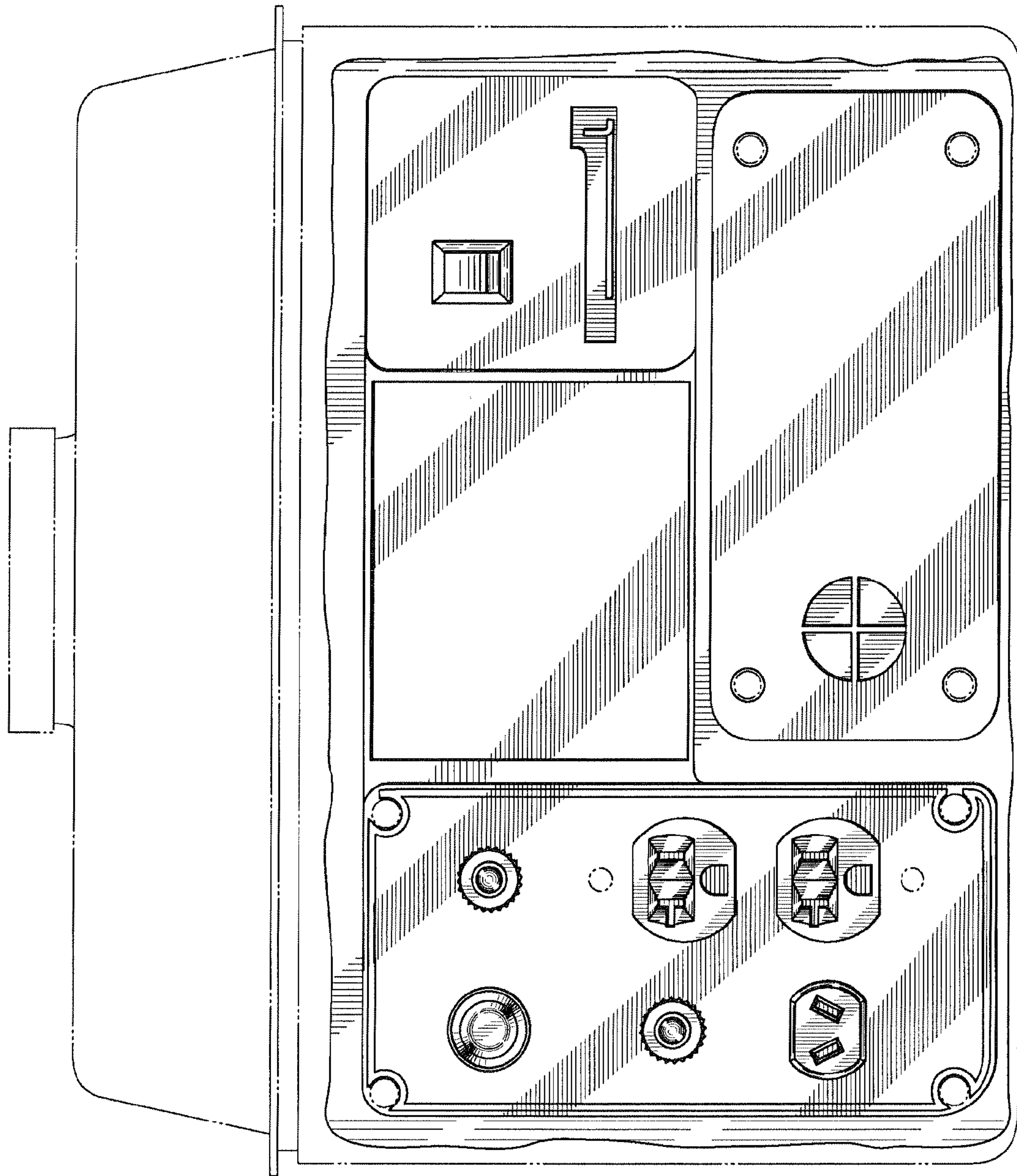


FIG. 1

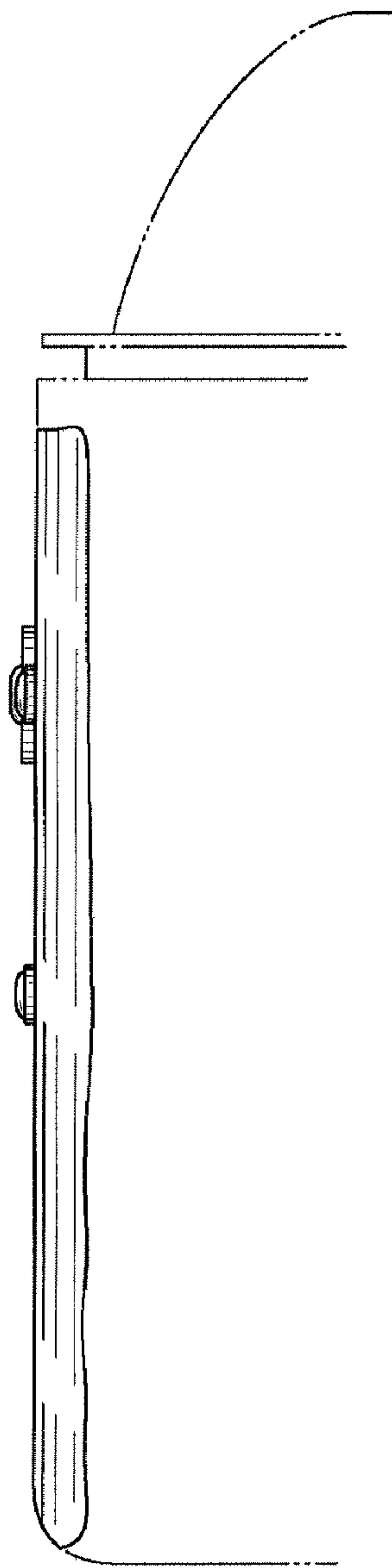


FIG. 2

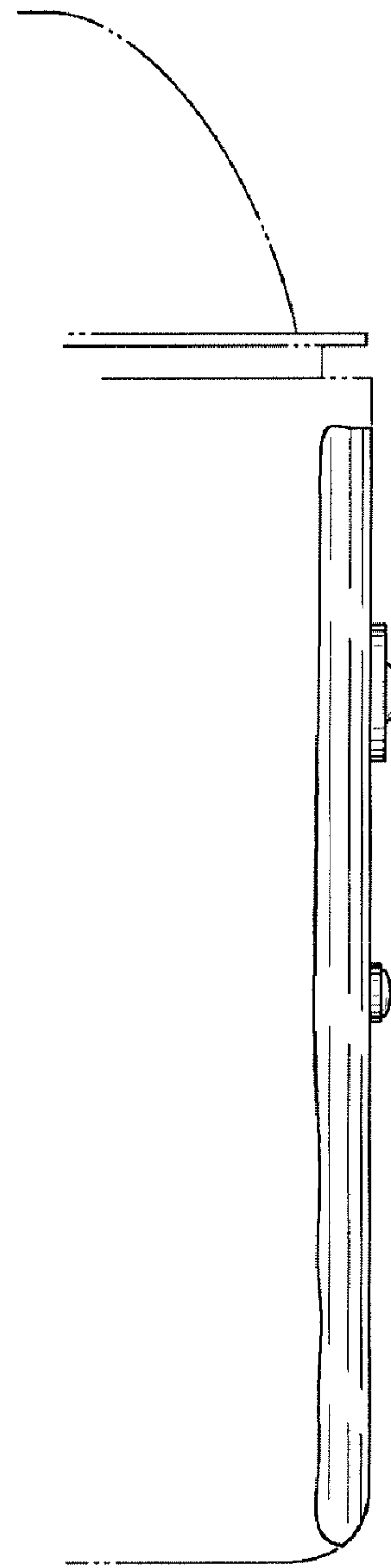


FIG. 3



FIG. 4

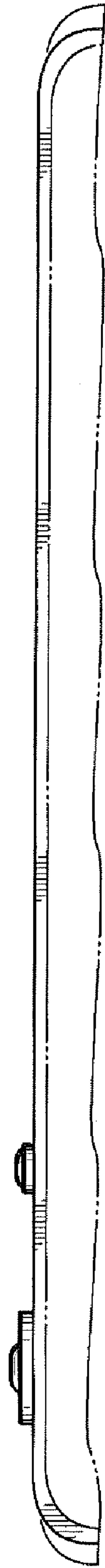


FIG. 5