



US00D569795S

(12) **United States Design Patent**
Higuchi

(10) **Patent No.:** **US D569,795 S**

(45) **Date of Patent:** **** May 27, 2008**

(54) **INVERTER**

(75) Inventor: **Naoto Higuchi**, Tokyo (JP)

(73) Assignee: **Mitsubishi Electric Corporation**,
Tokyo (JP)

(**) Term: **14 Years**

(21) Appl. No.: **29/274,260**

(22) Filed: **Apr. 10, 2007**

(30) **Foreign Application Priority Data**

Oct. 18, 2006 (JP) 2006-028149

(51) **LOC (8) Cl.** **13-02**

(52) **U.S. Cl.** **D13/110**

(58) **Field of Classification Search** D13/110,
D13/101, 123, 184, 199; 307/150–152; 361/600,
361/601, 622, 702, 703, 730, 809; 363/141,
363/142

See application file for complete search history.

(56) **References Cited**

U.S. PATENT DOCUMENTS

- 4,620,263 A * 10/1986 Ito 361/690
- D303,370 S * 9/1989 Kondo et al. D13/110
- 5,170,336 A * 12/1992 Getter et al. 363/141
- D343,382 S * 1/1994 Hagura et al. D13/110
- D358,753 S * 5/1995 Yoshida et al. D13/123
- 5,497,289 A * 3/1996 Sugishima et al. 361/709
- D372,017 S * 7/1996 Suematsu et al. D13/110
- D376,785 S * 12/1996 Ikeda et al. D13/110
- D455,121 S * 4/2002 Takeuchi et al. D13/110
- D455,399 S * 4/2002 Imamura et al. D13/110
- D455,714 S * 4/2002 Kim D13/110

- D457,492 S * 5/2002 Kim D13/110
- D502,914 S * 3/2005 Higuchi et al. D13/110
- D502,916 S * 3/2005 Higuchi et al. D13/110

FOREIGN PATENT DOCUMENTS

JP D1283219 8/2006

* cited by examiner

Primary Examiner—Prabhakar Deshmukh

Assistant Examiner—Derrick Holland

(74) *Attorney, Agent, or Firm*—Sughrue Mion, PLLC

(57) **CLAIM**

The ornamental design for an inverter, as shown and described.

DESCRIPTION

FIG. 1 is a front, top and right side perspective view of an Inverter, showing my new design;

FIG. 2 is a front elevational view thereof;

FIG. 3 is a rear elevational view thereof;

FIG. 4 is a top plan view thereof;

FIG. 5 is a bottom plan view thereof;

FIG. 6 is a left side elevational view thereof;

FIG. 7 is a right side elevational view thereof;

FIG. 8 is a cross-sectional view thereof; taken along line 8—8 of FIG. 2, with the internal system omitted;

FIG. 9 is a cross-sectional view thereof; taken along line 9—9 of FIG. 2, with the internal system omitted; and,

FIG. 10 is a reference front elevational view with the light-transmitting portions shown in oblique lines.

1 Claim, 3 Drawing Sheets

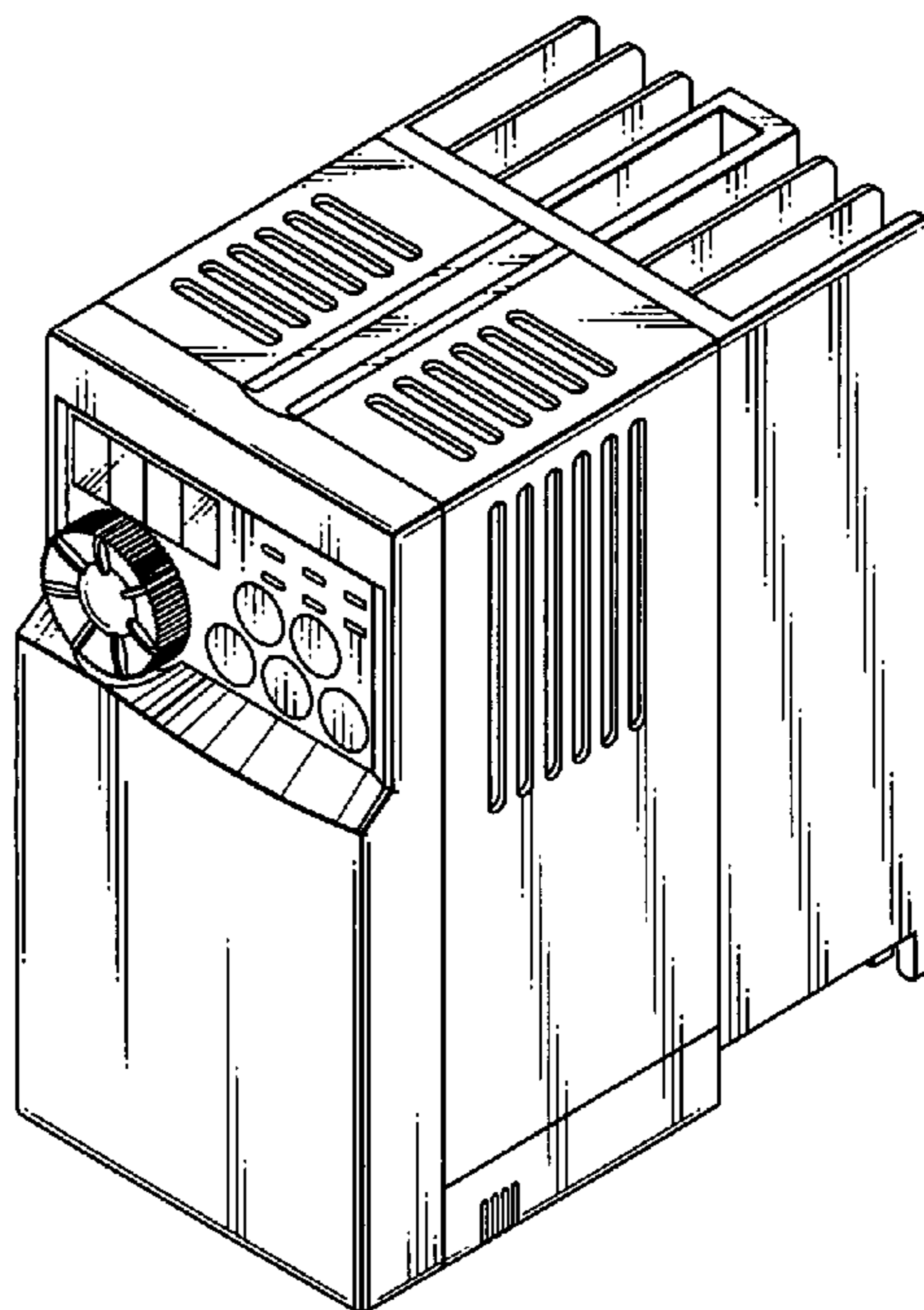


FIG.1

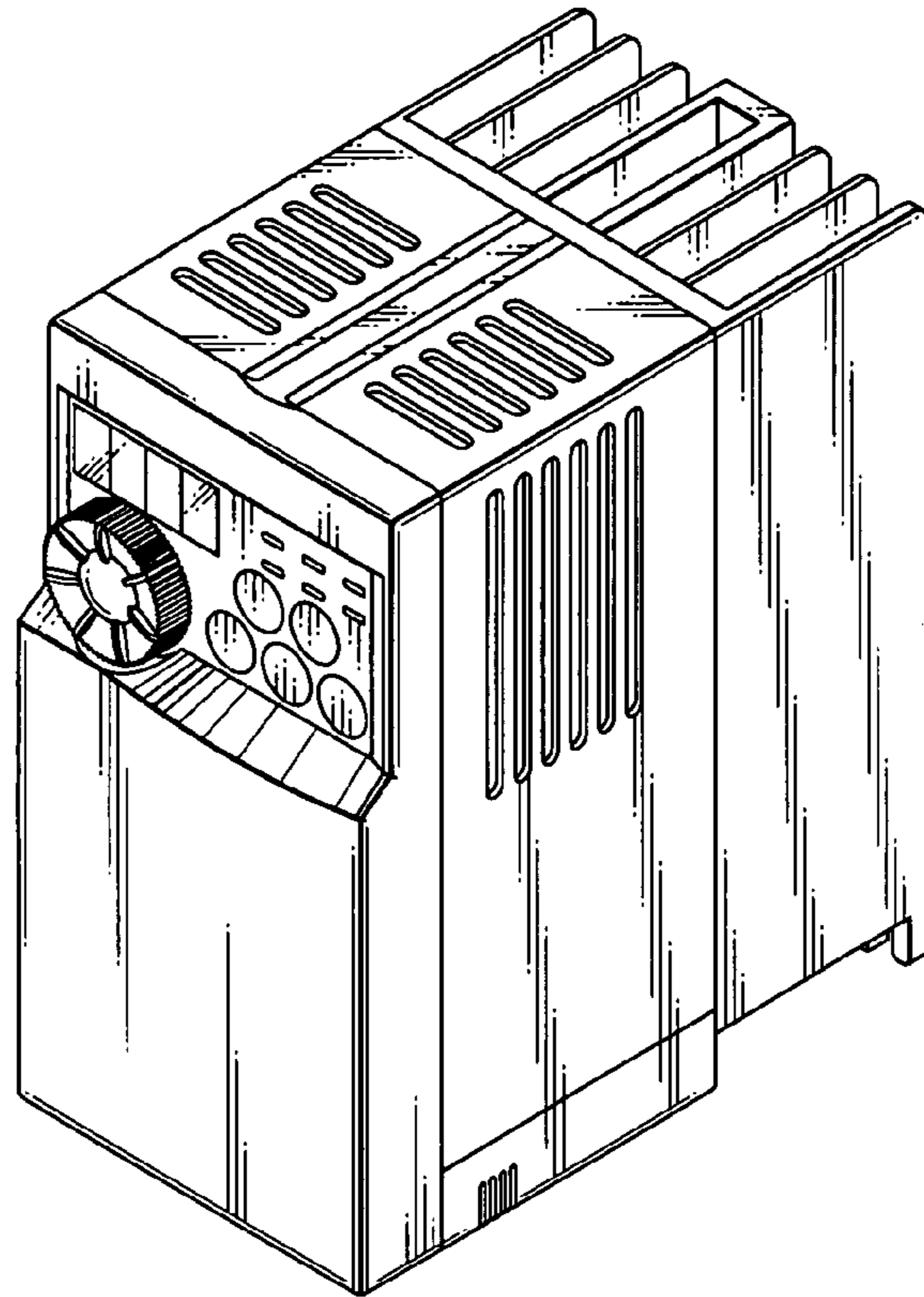


FIG.2

FIG.3

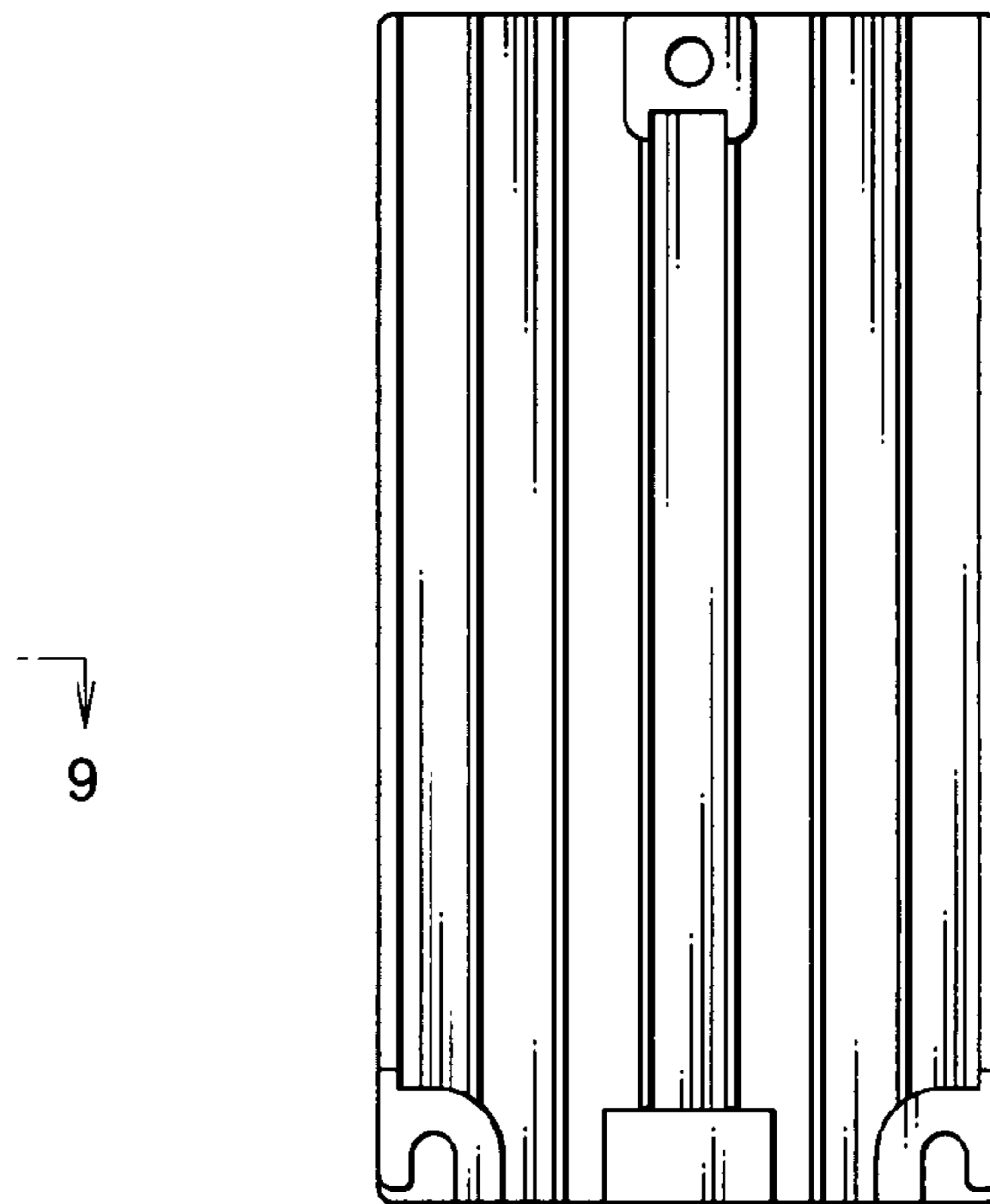
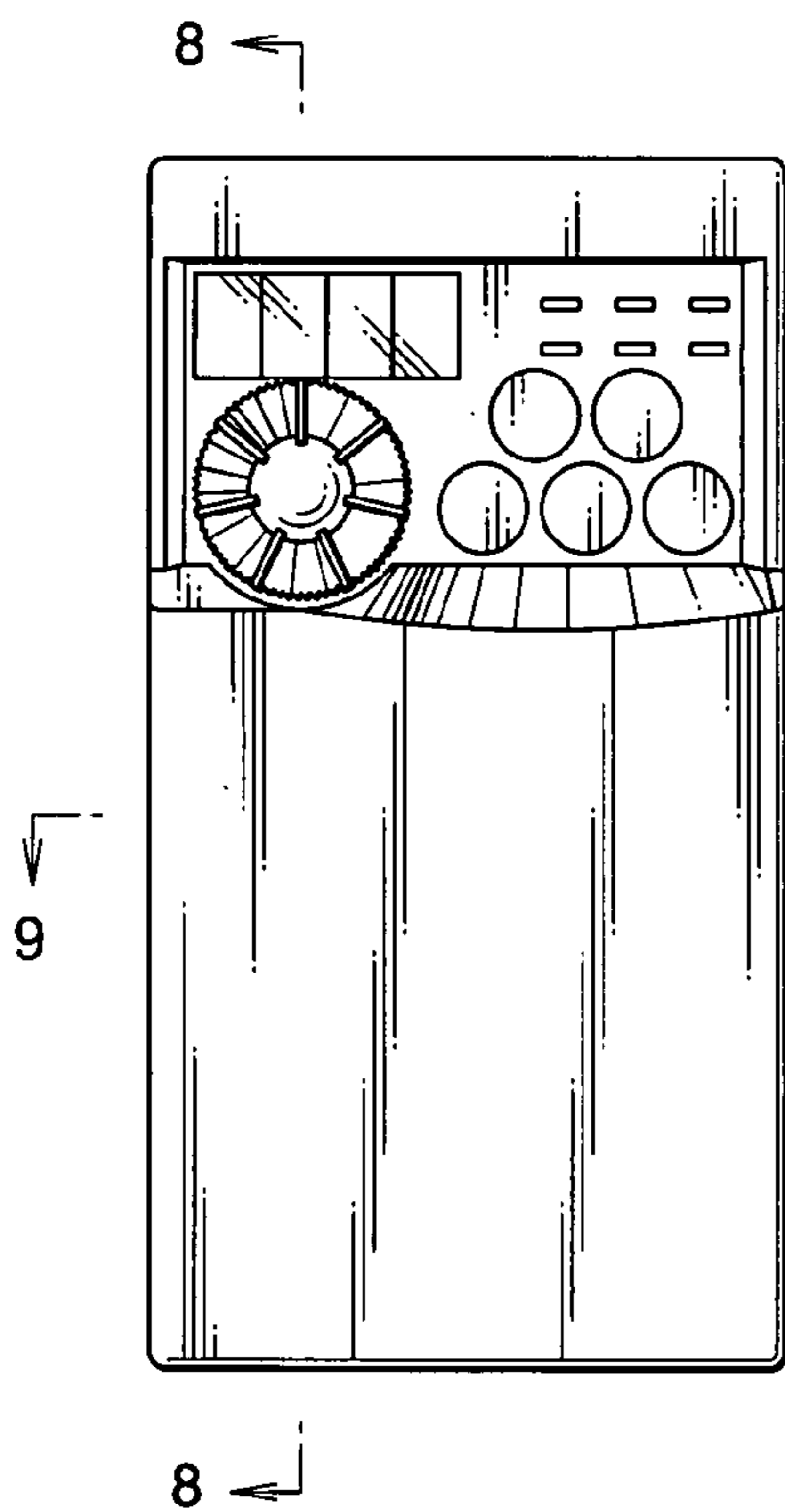


FIG.4

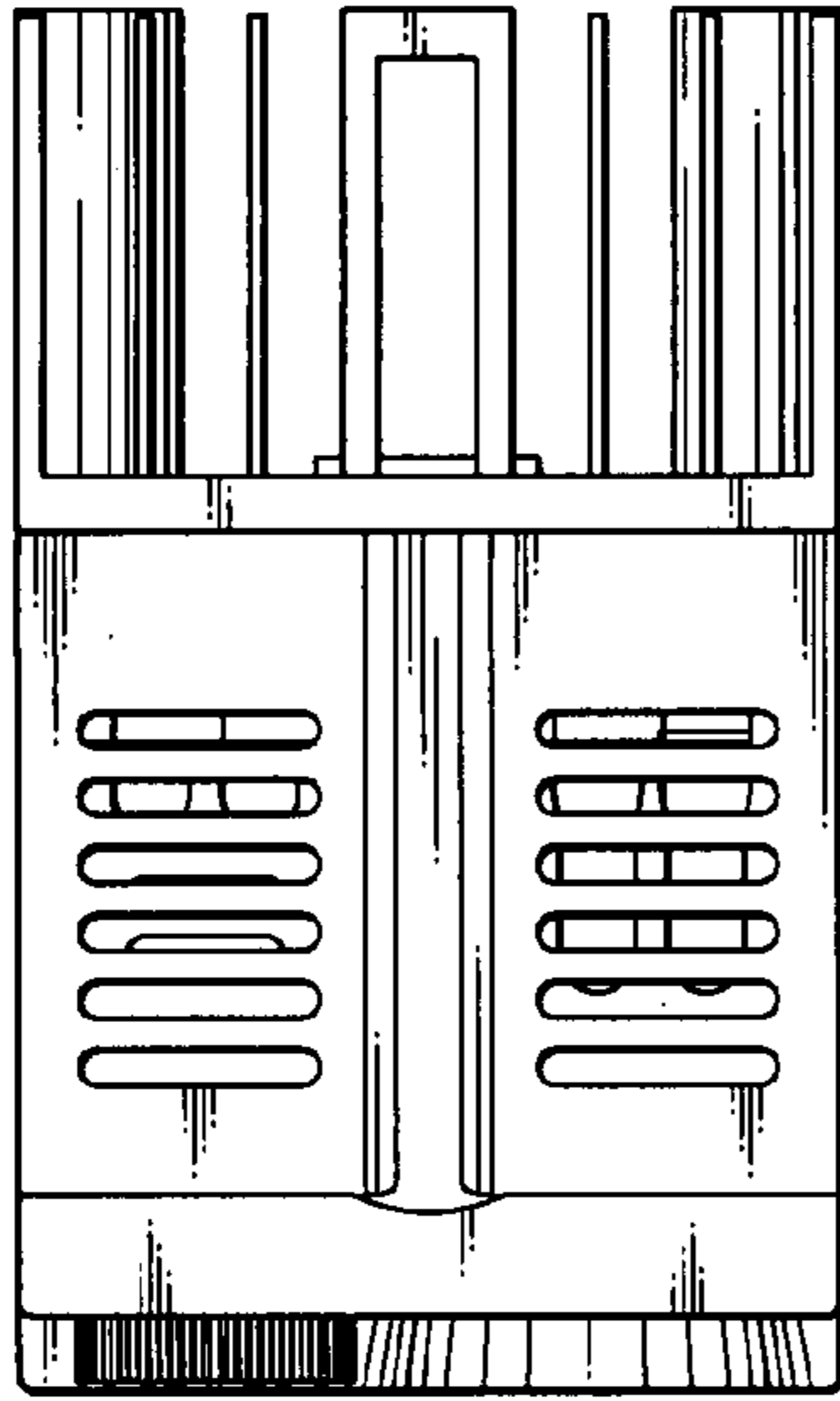


FIG.5

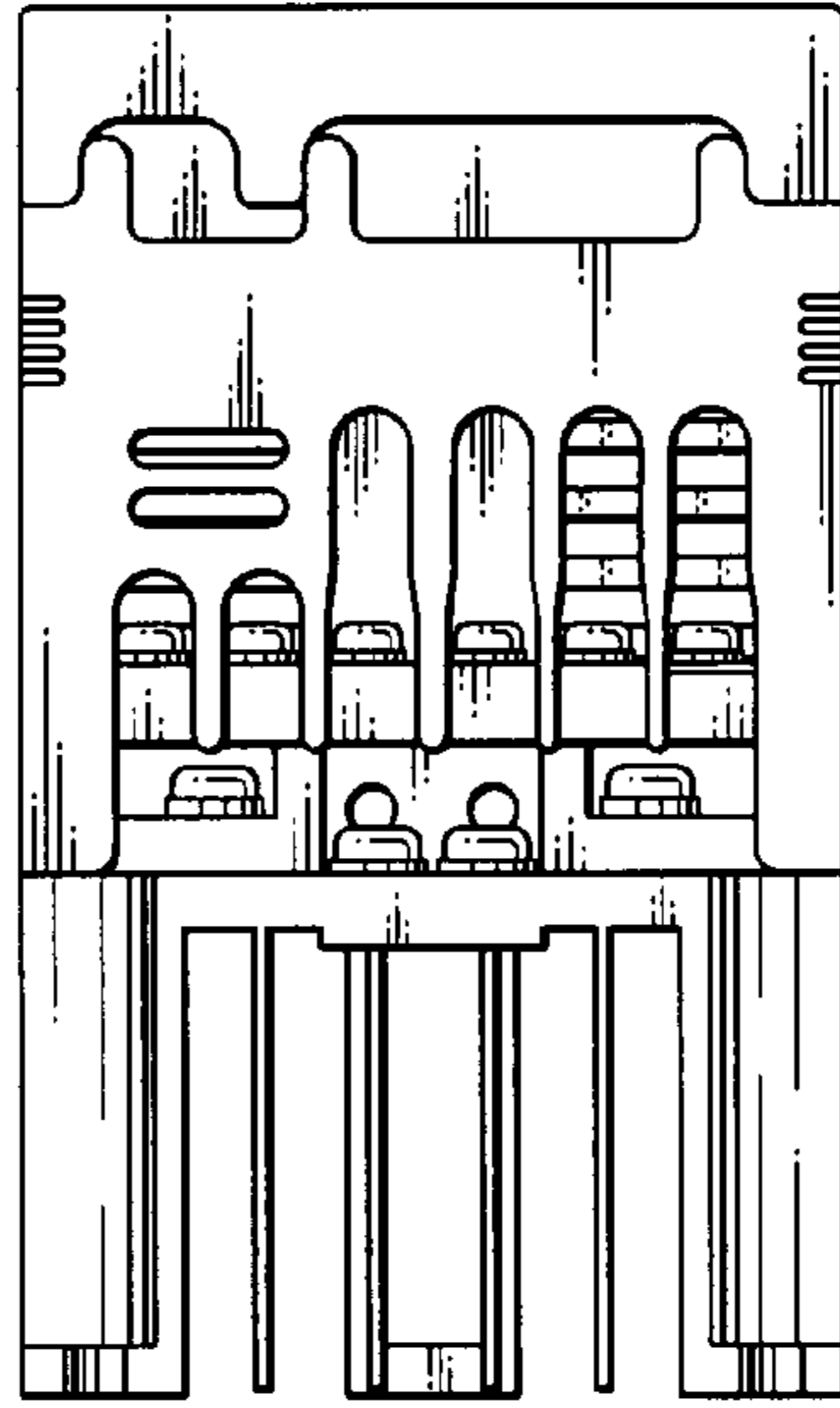


FIG.6

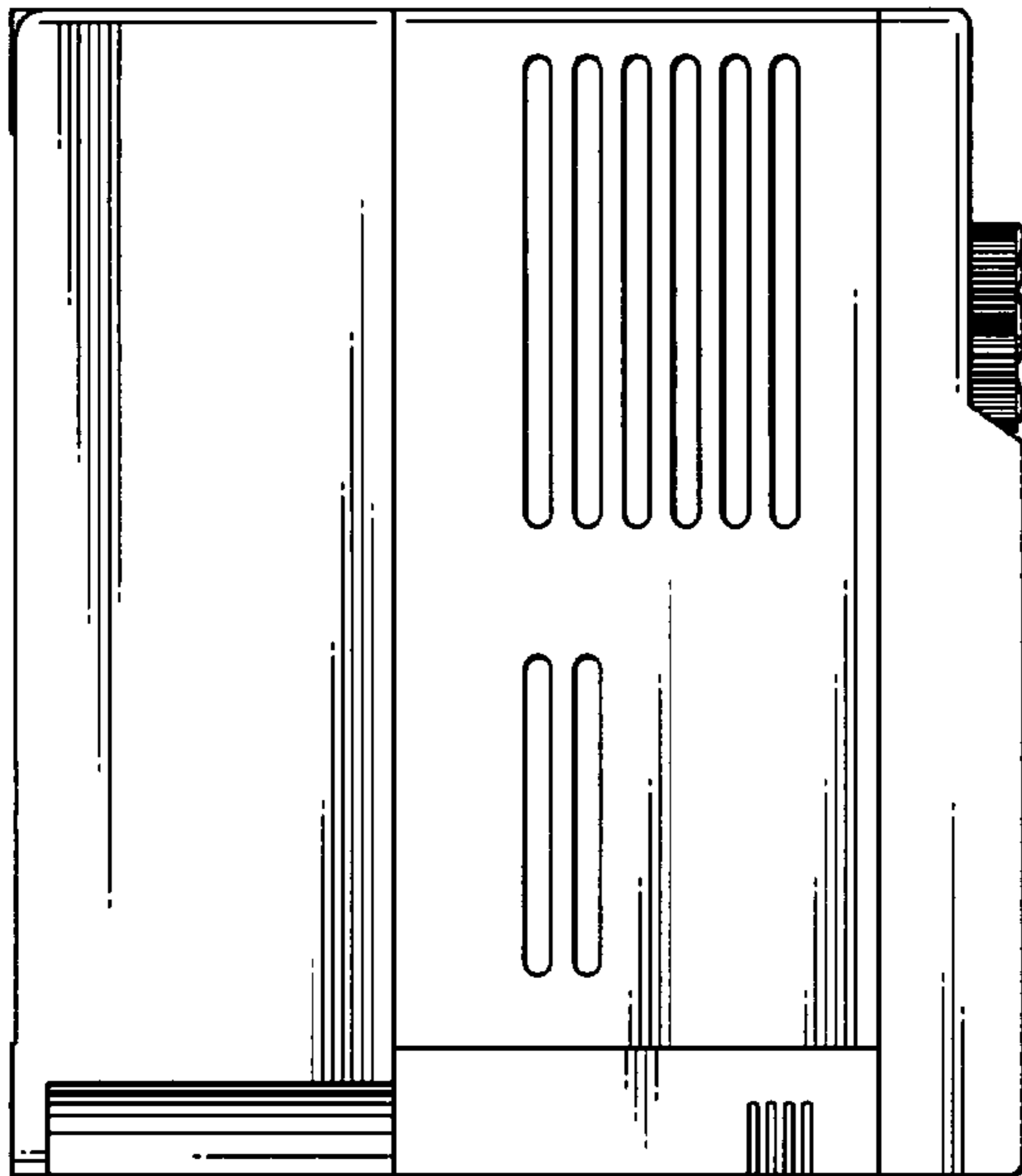


FIG.7

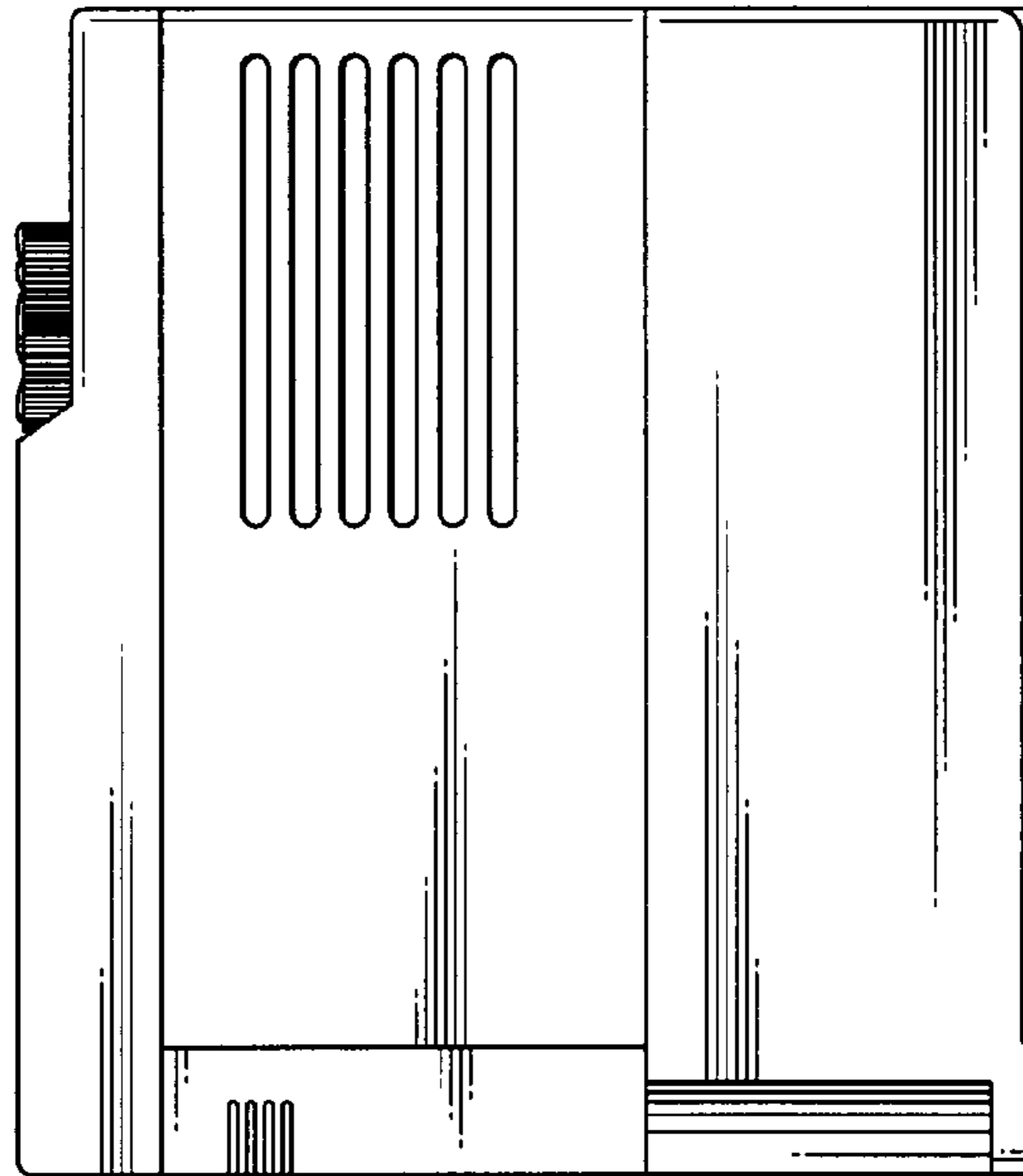


FIG.8

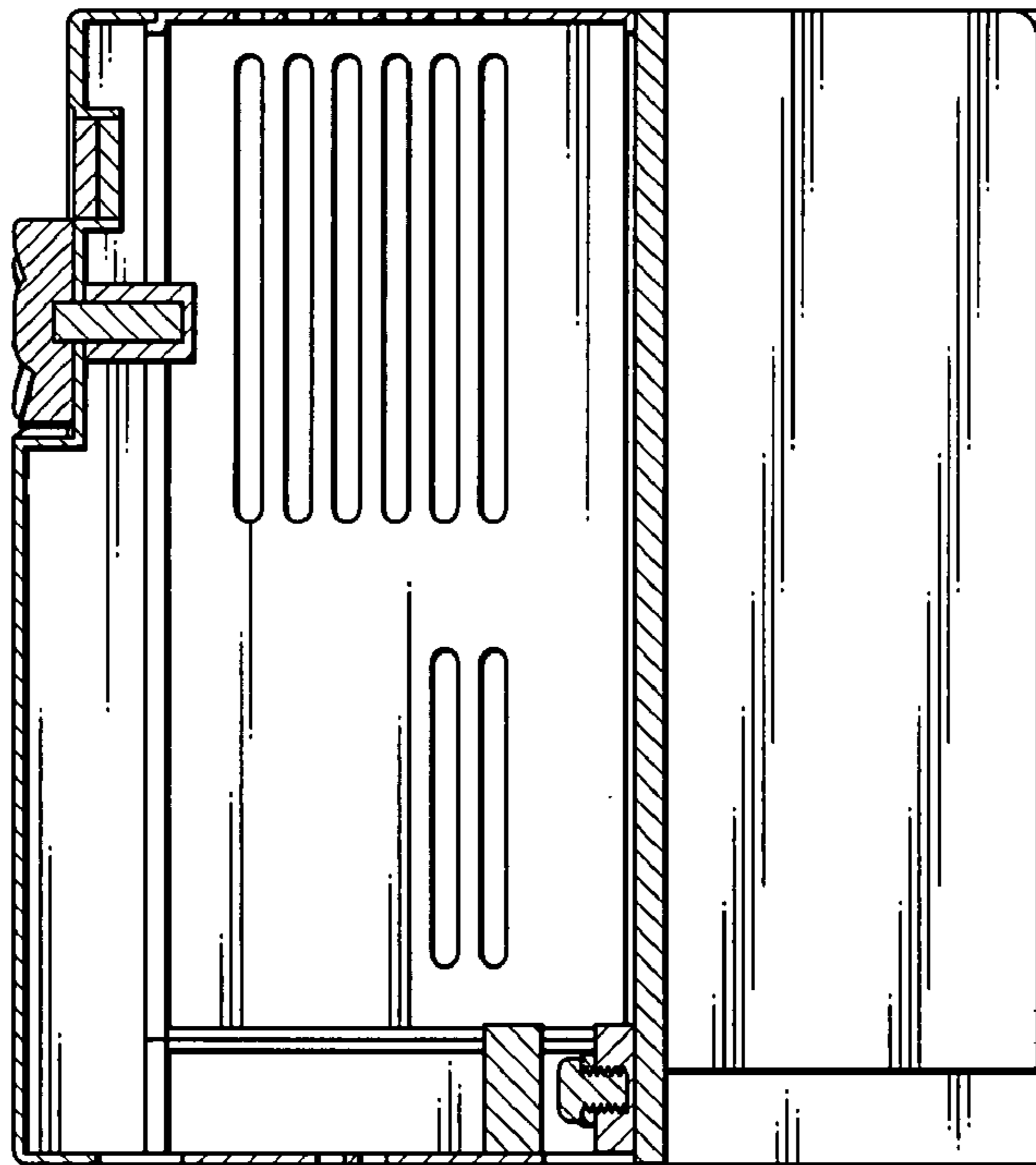


FIG.9

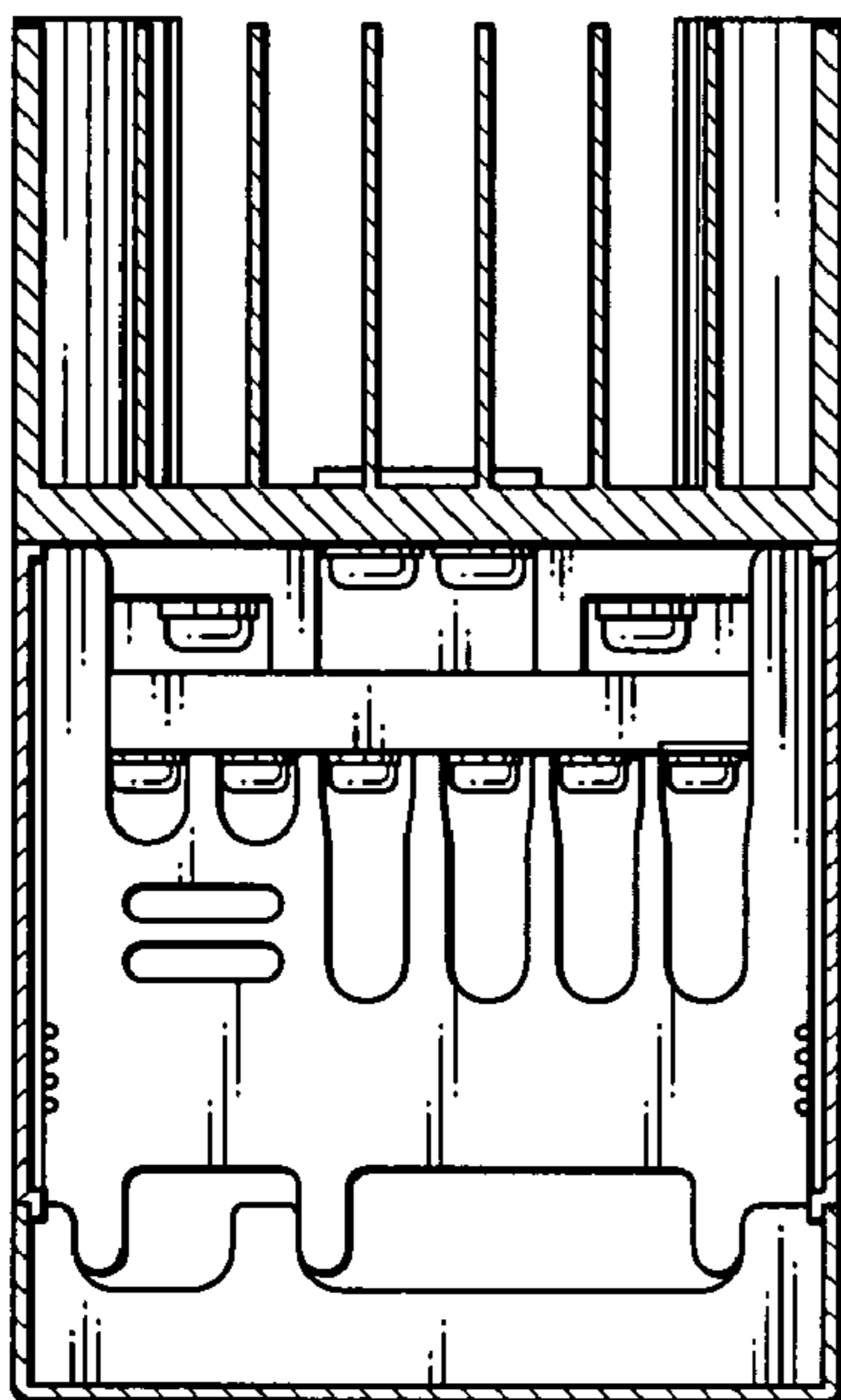


FIG.10

