



US00D569789S

(12) **United States Design Patent** (10) **Patent No.:** **US D569,789 S**
Park (45) **Date of Patent:** **** May 27, 2008**

(54) **AUTOMOBILE TIRE**

(75) Inventor: **Jin Hee Park**, Seoul (KR)

(73) Assignee: **Hankook Tire Co., Ltd.** (KR)

(**) Term: **14 Years**

(21) Appl. No.: **29/258,141**

(22) Filed: **Apr. 17, 2006**

(30) **Foreign Application Priority Data**

Oct. 17, 2005 (KR) 30-2005-0034875
Oct. 17, 2005 (KR) 30-2005-0034877

(51) **LOC (8) Cl.** **12-15**

(52) **U.S. Cl.** **D12/579**

(58) **Field of Classification Search** D12/579,
D12/586, 587, 588, 590, 599, 600; 152/209.1,
152/209.12, 209.25

See application file for complete search history.

(56) **References Cited**

U.S. PATENT DOCUMENTS

D319,993 S *	9/1991	Croley et al.	D12/586
5,238,038 A *	8/1993	Glover et al.	152/209.14
D427,951 S *	7/2000	Takei et al.	D12/600
D475,009 S *	5/2003	Ochi	D12/600
D500,009 S *	12/2004	Okubo	D12/586
D515,498 S *	2/2006	Dumigan	D12/588
D517,980 S *	3/2006	Umstot et al.	D12/600
D528,068 S *	9/2006	Umstot et al.	D12/600
D530,267 S *	10/2006	Umstot et al.	D12/600
D531,110 S *	10/2006	Miyazaki et al.	D12/579

* cited by examiner

Primary Examiner—Robert M. Spear
Assistant Examiner—Katrina A Kile
(74) *Attorney, Agent, or Firm*—Cantor Colburn LLP

(57) **CLAIM**

I claim, the ornamental design for an automobile tire, as shown and described.

DESCRIPTION

FIG. 1 is a top and front perspective view of an automobile tire, showing my new design;

FIG. 2 is a front elevational view thereof;

FIG. 3 is a rear elevational view thereof;

FIG. 4 is a left side elevational view thereof,

FIG. 5 is a right side elevational view thereof;

FIG. 6 is a top plan view thereof;

FIG. 7 is a bottom plan view thereof;

FIG. 8 is an enlarged cross-sectional view taken along line 8—8 of FIG. 2;

FIG. 9 is a partially enlarged view of the front elevational view taken between lines 9—9 of FIG. 2;

FIG. 10 is a partially enlarged view of the left side elevational view taken within circle 10 of FIG. 4; and,

FIG. 11 is a partially enlarged view of the left side elevational view taken within circle 11 portion 12 of FIG. 4.

The broken lines shown in the figures are for illustrative purposes only and form no part of the claimed design.

1 Claim, 11 Drawing Sheets

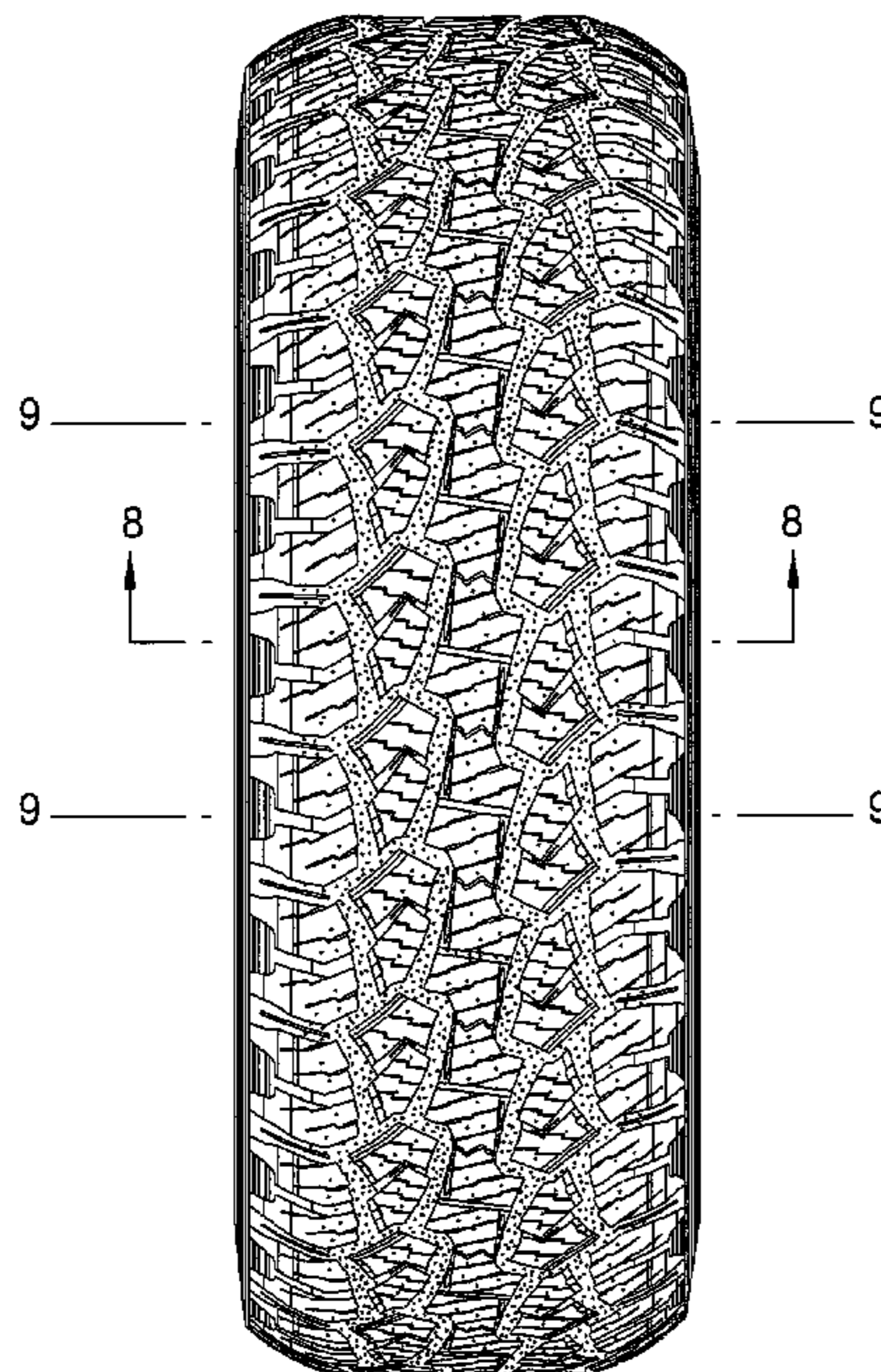


FIG. 1

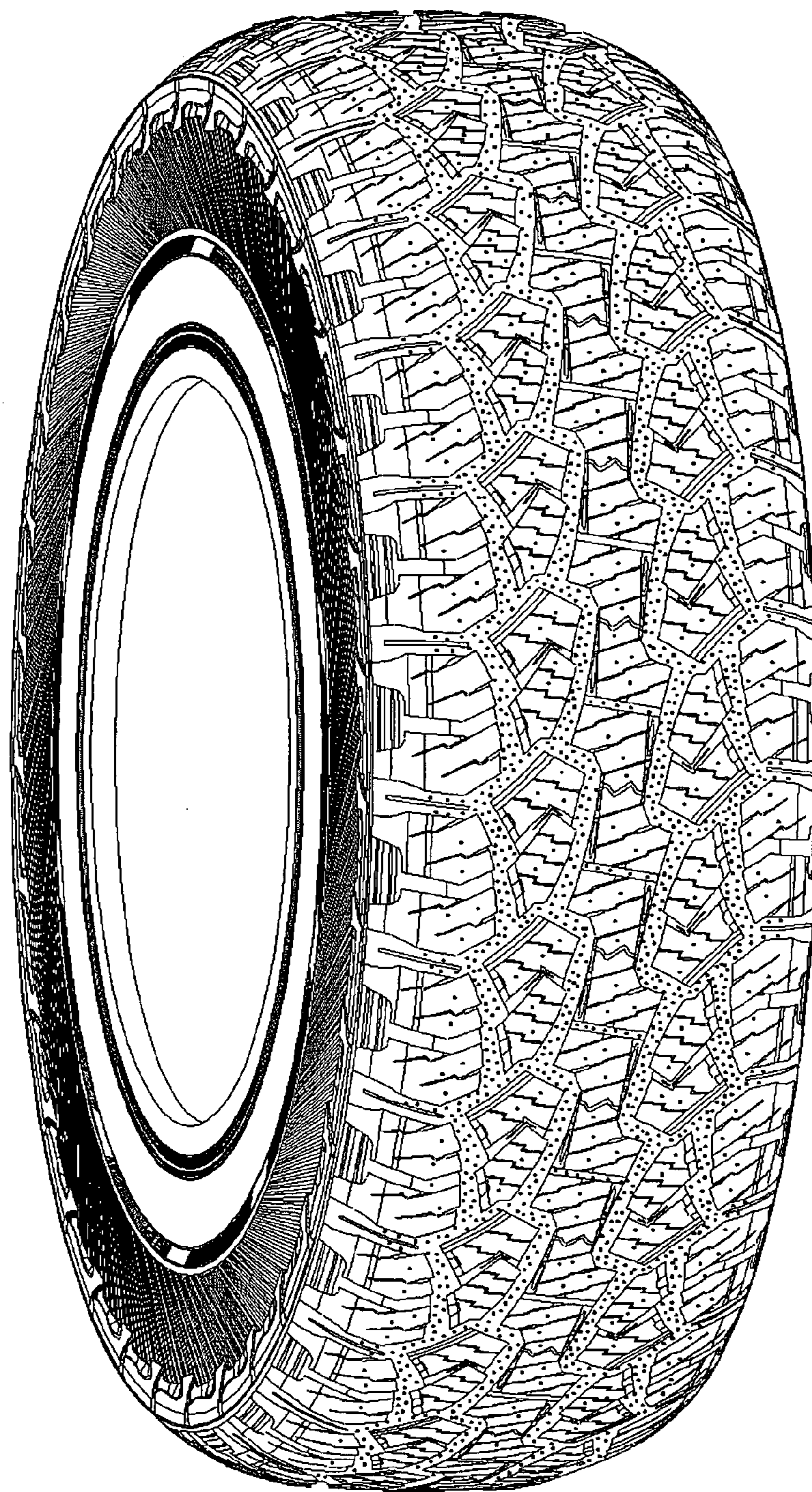


FIG. 2

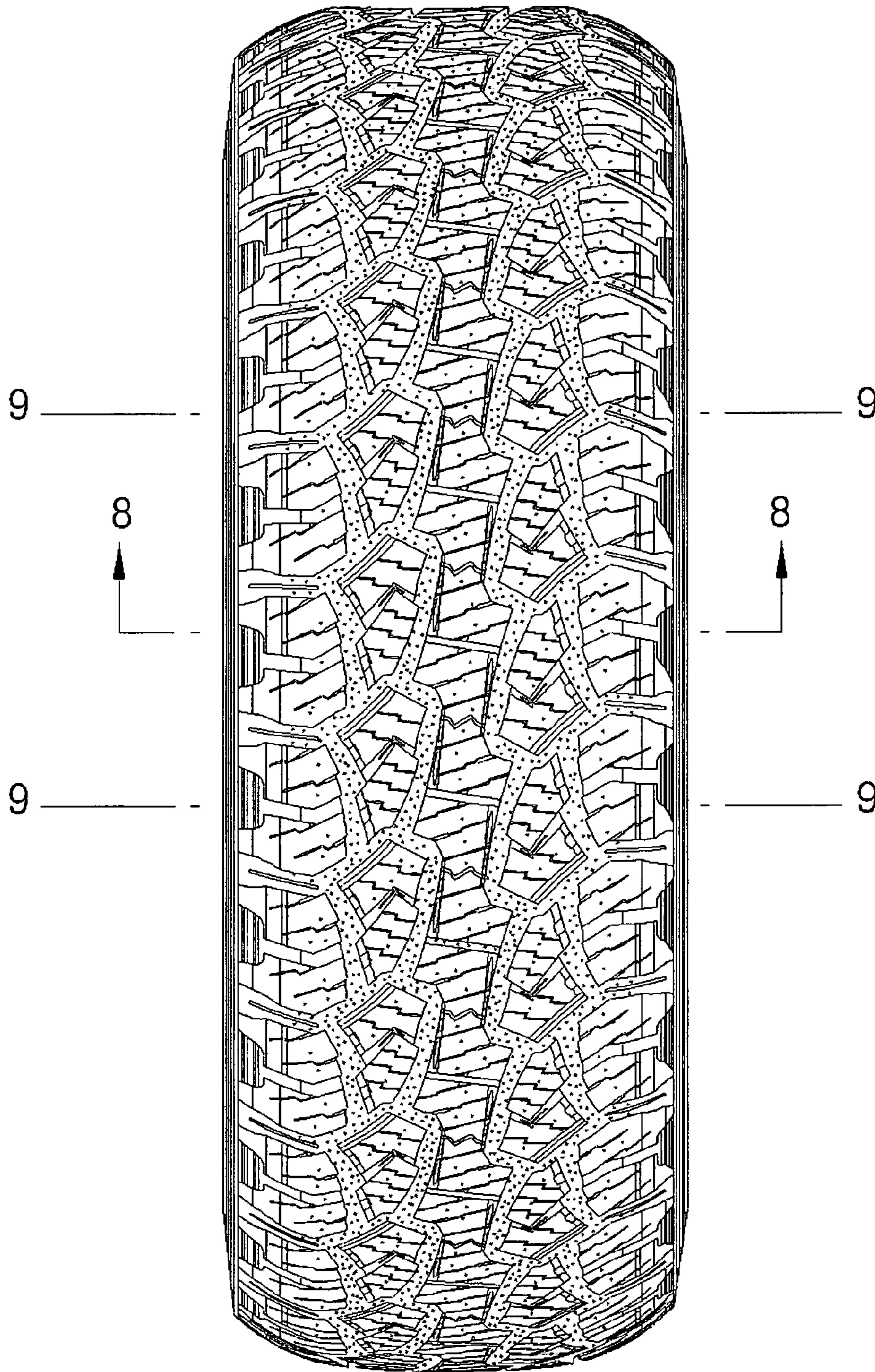


FIG. 3

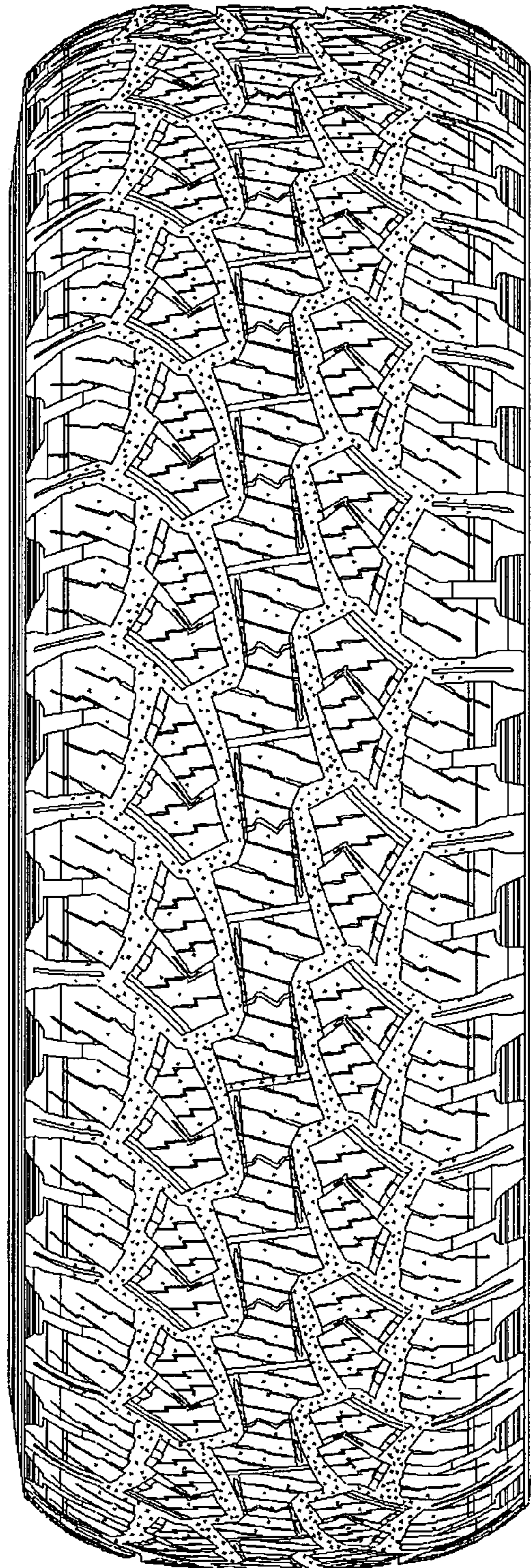


FIG. 4

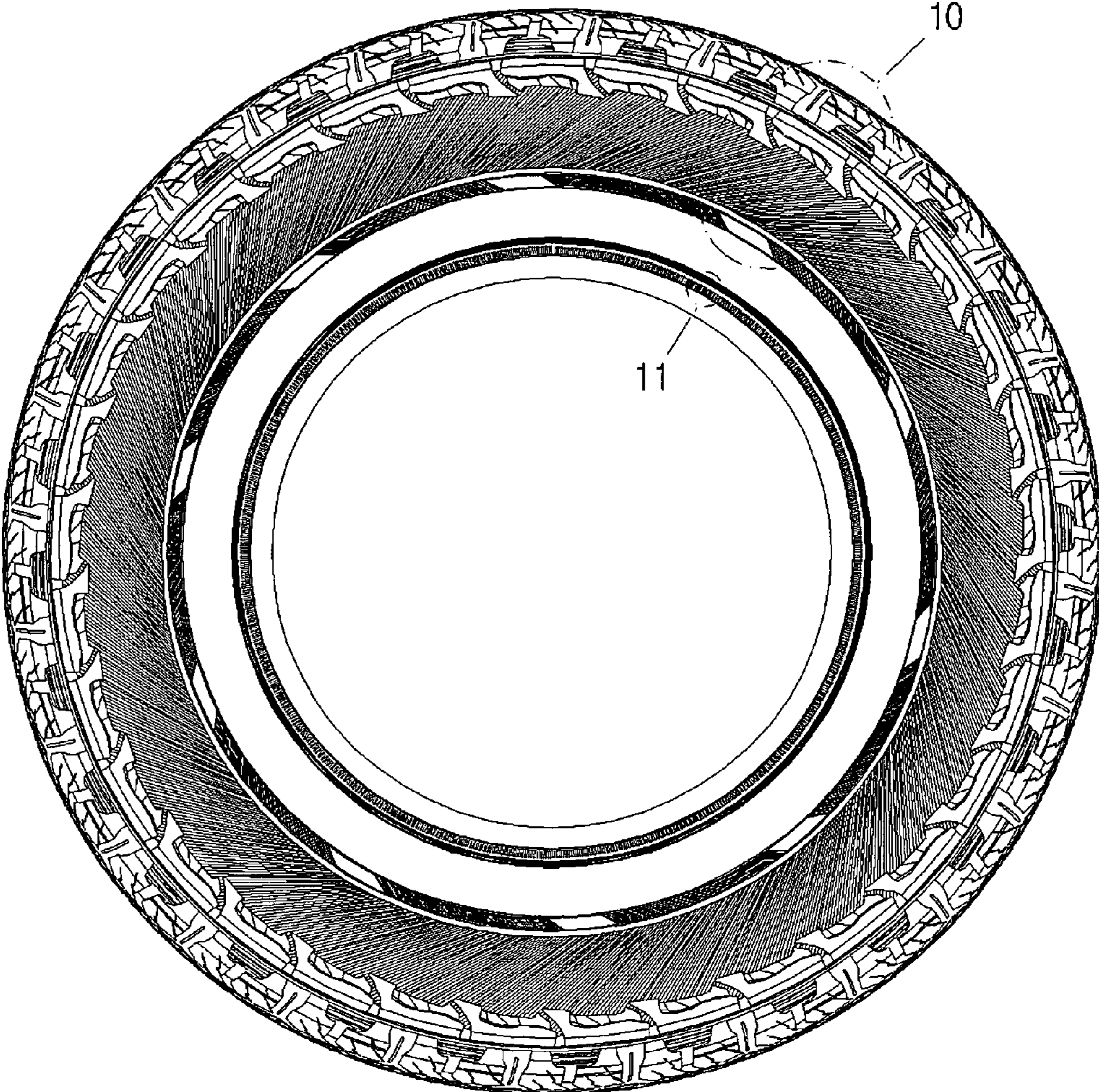


FIG. 5

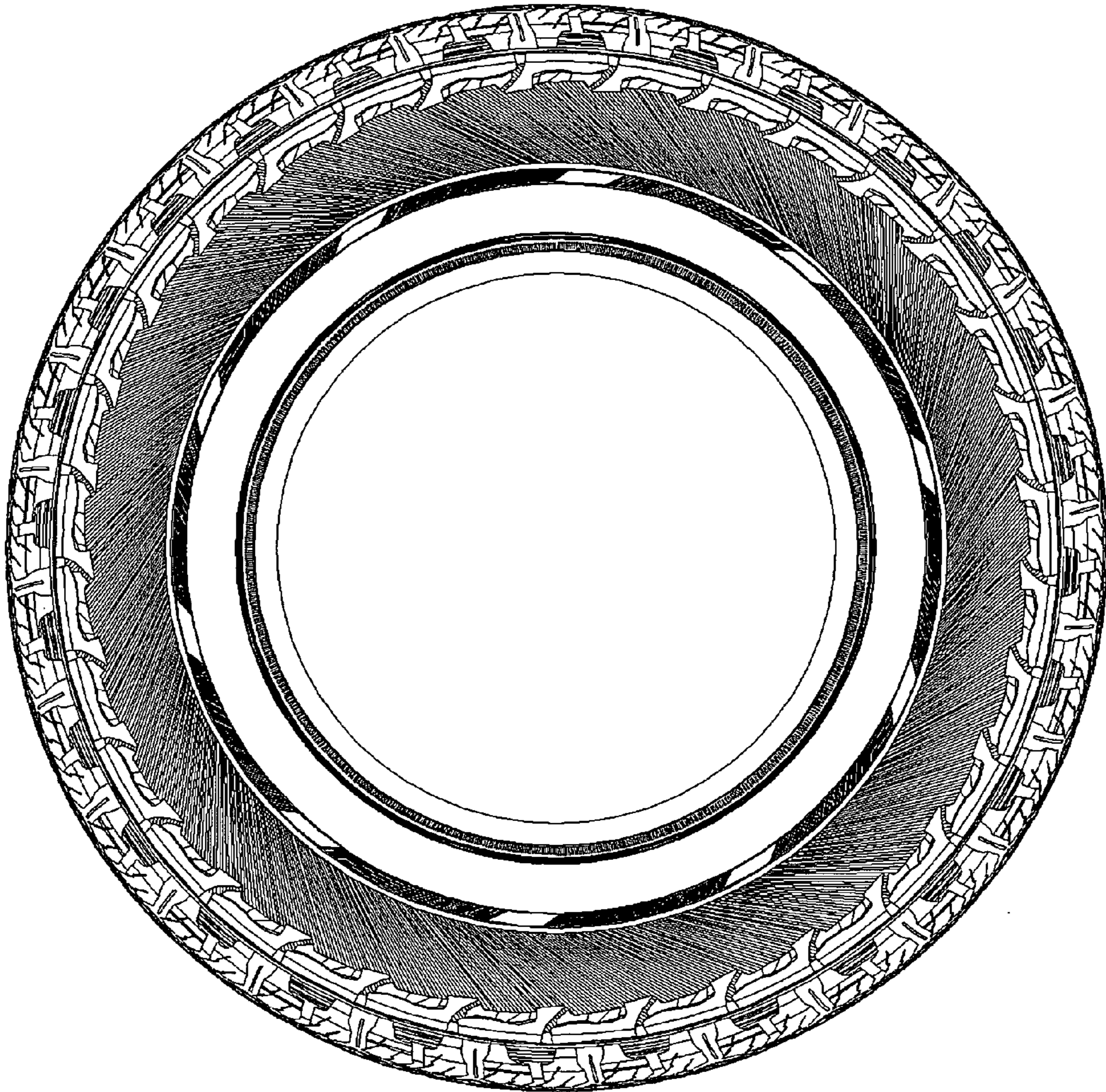


FIG. 6

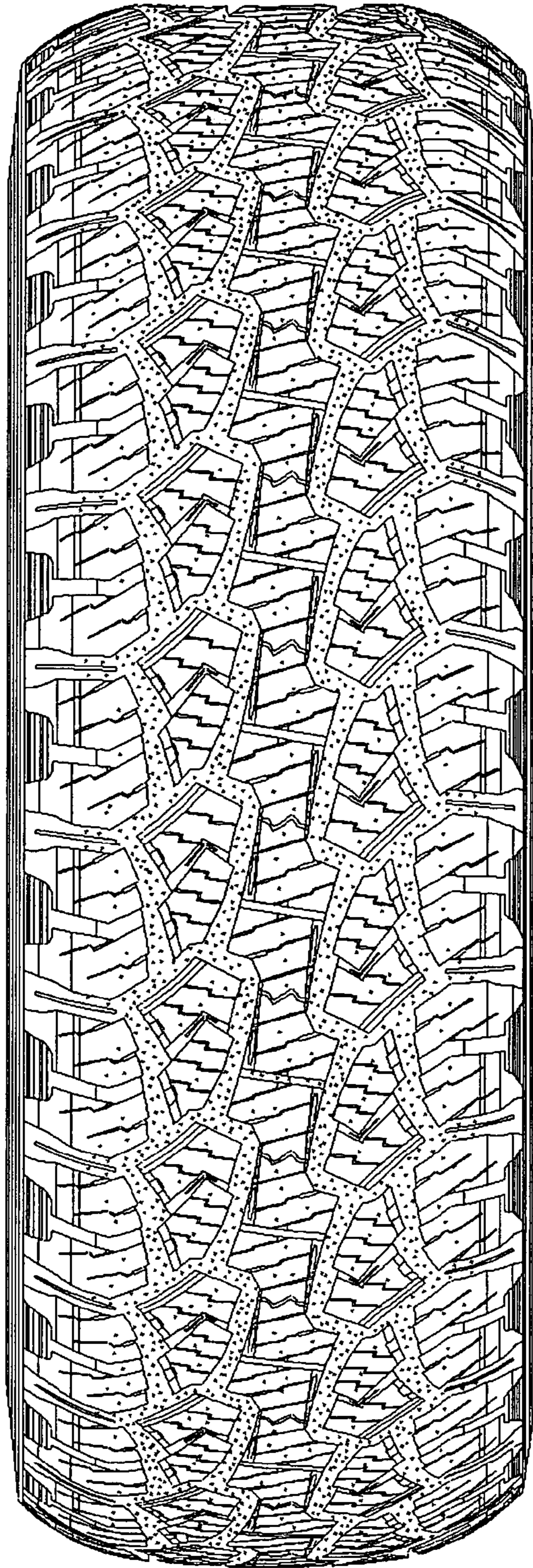


FIG. 7

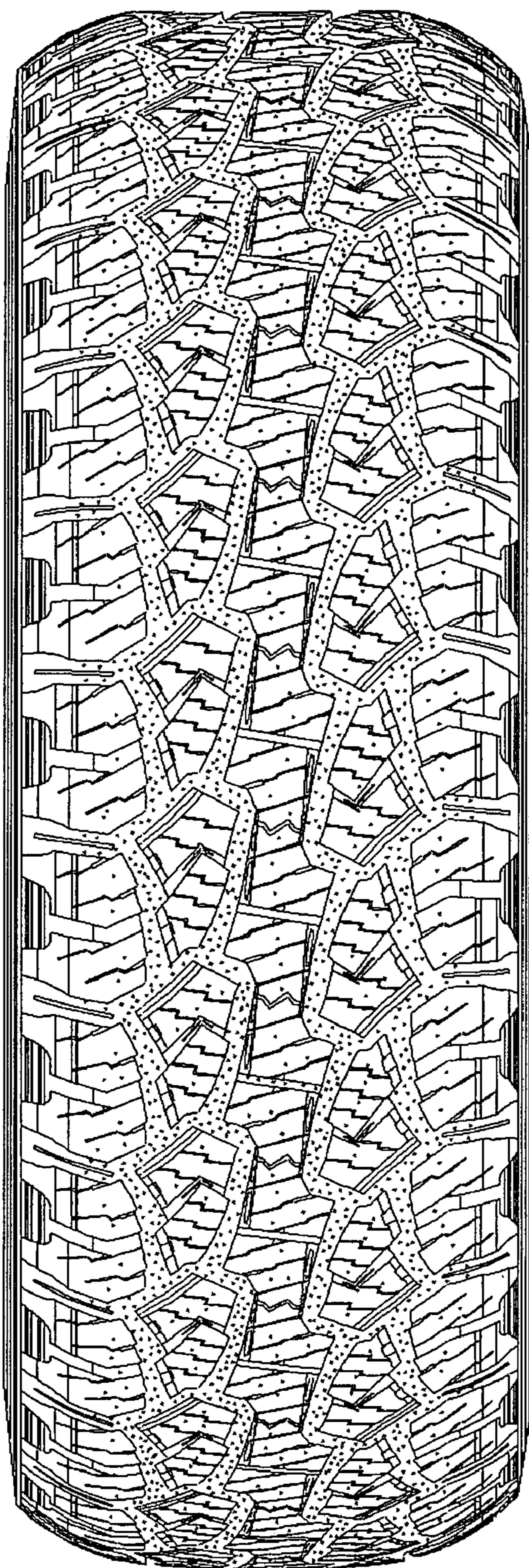


FIG. 8

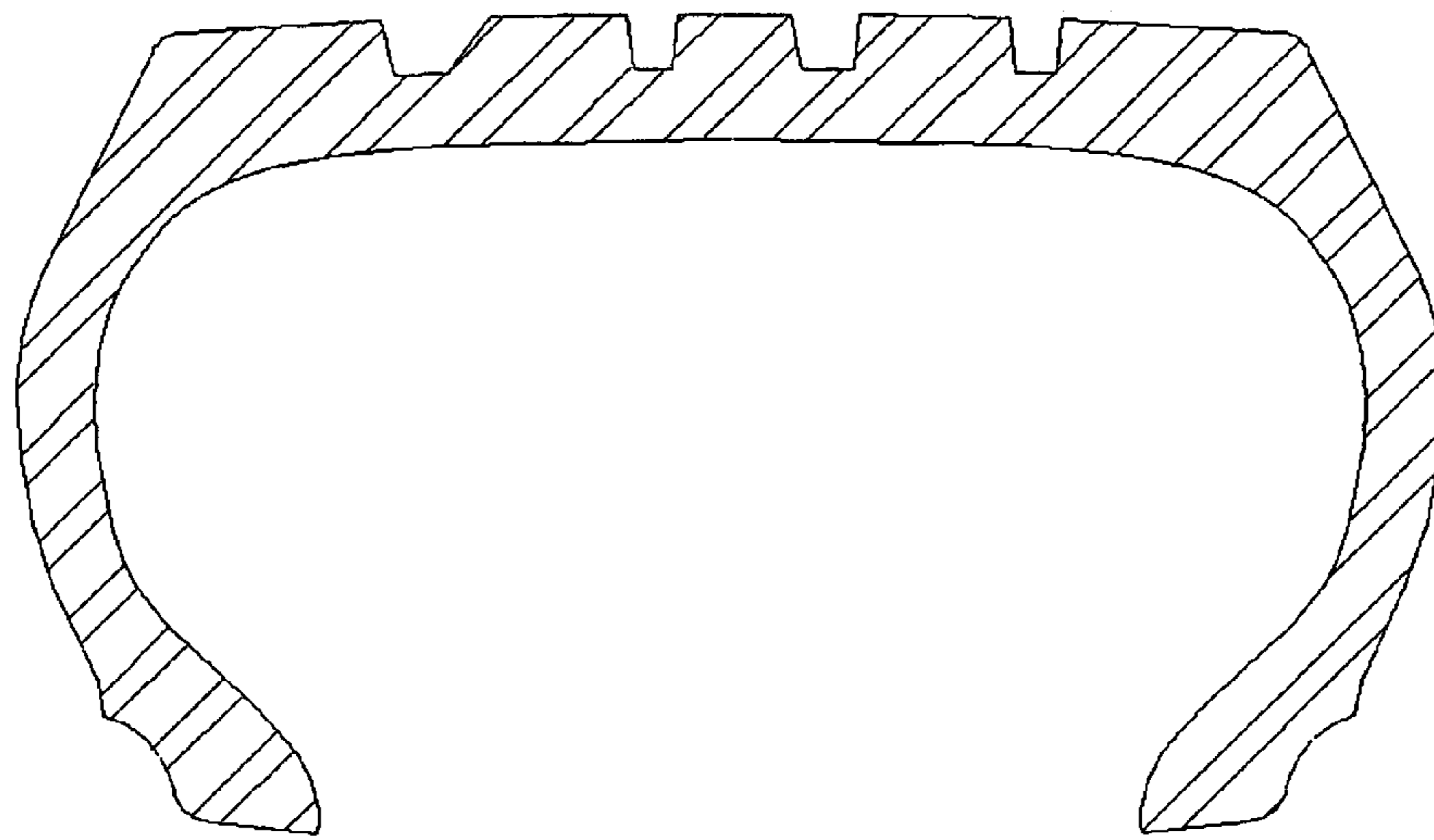


FIG. 9

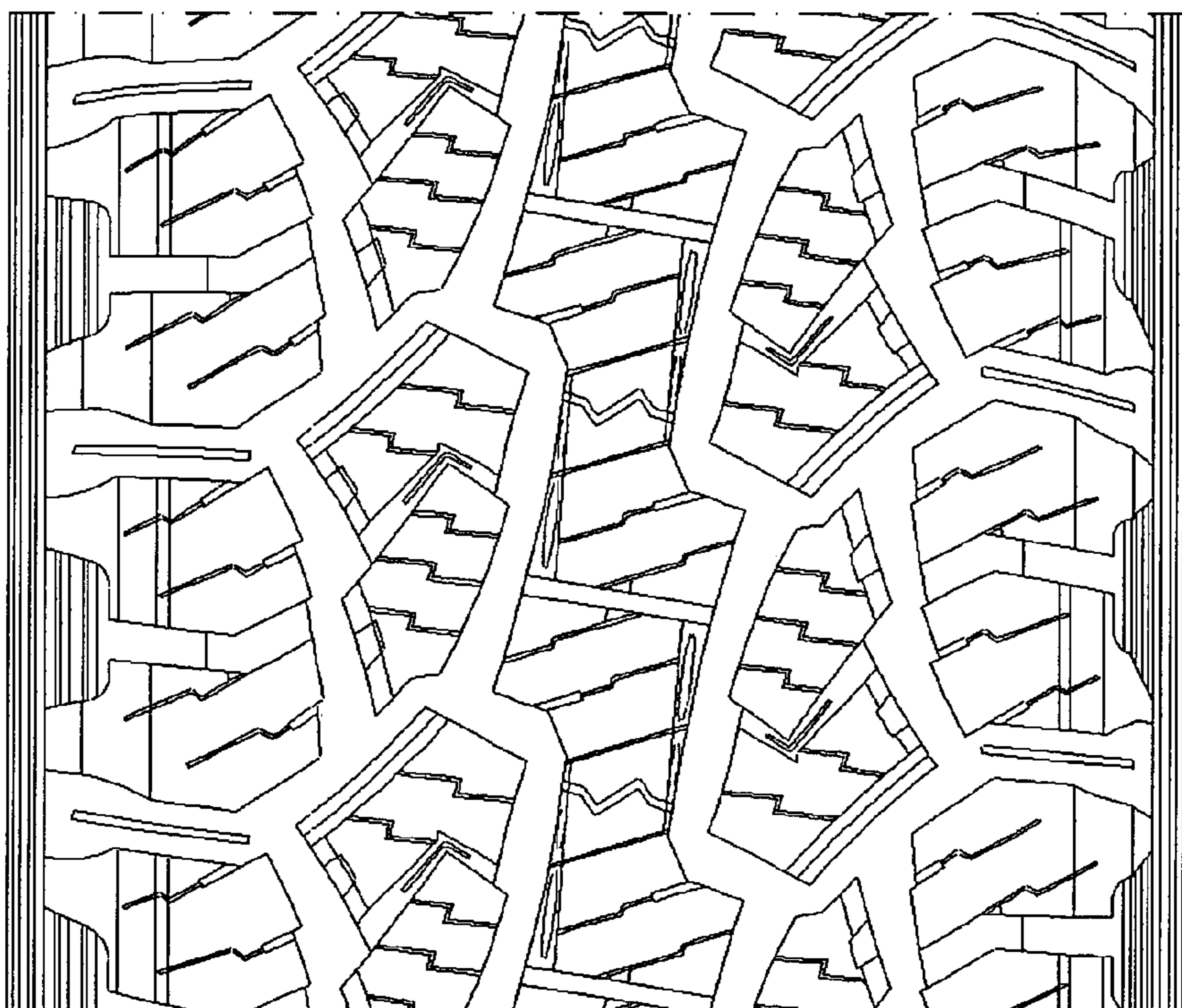


FIG. 10

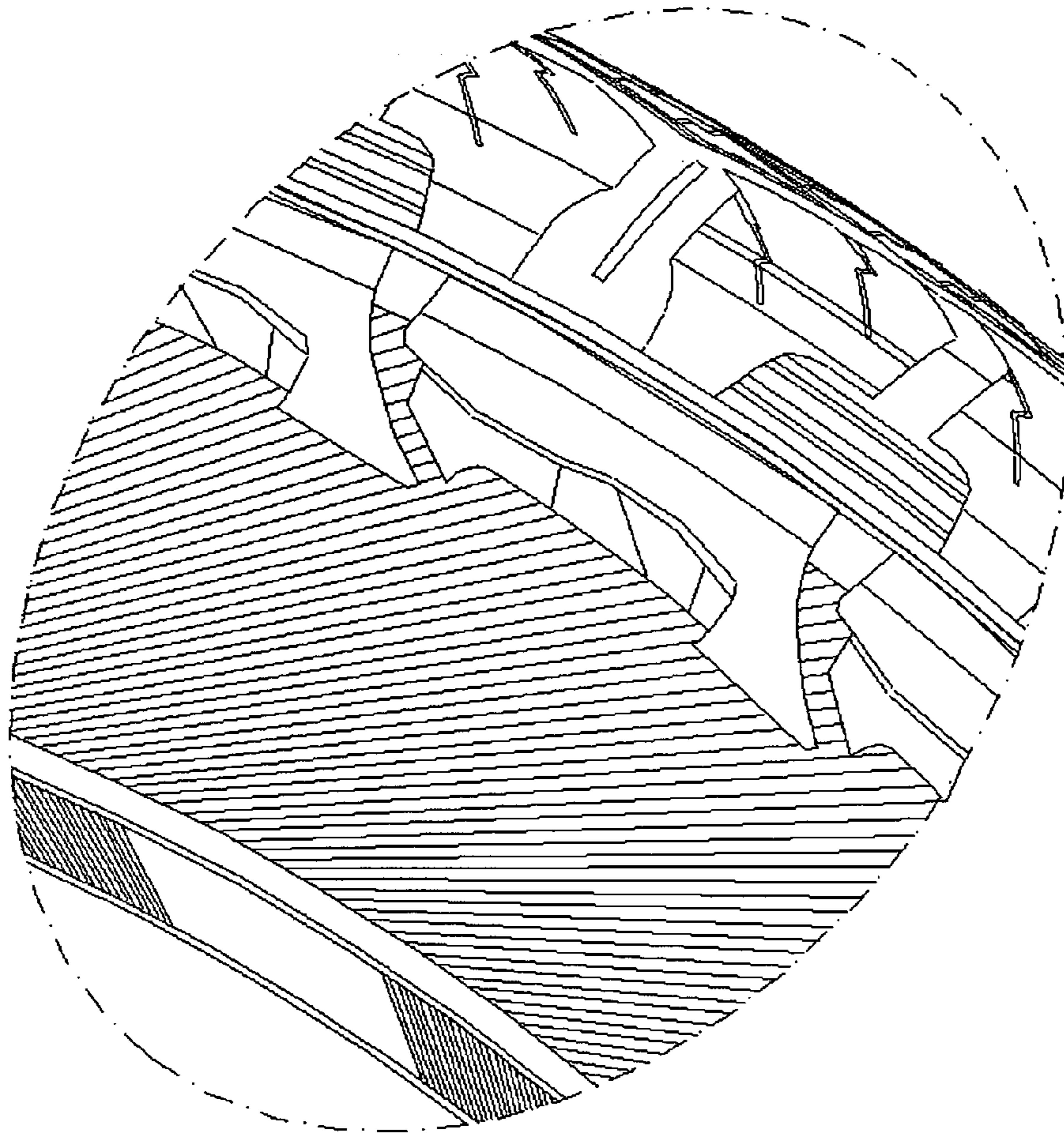


FIG. 11

