



US00D569780S

(12) **United States Design Patent**
Rawson

(10) **Patent No.:** **US D569,780 S**

(45) **Date of Patent:** **** May 27, 2008**

(54) **KAYAK**

D419,128 S * 1/2000 Lockwood D12/302
6,779,477 B2 * 8/2004 Lockwood 114/347

(76) Inventor: **Jeffery Rawson**, 70R Crane St.,
Fairfield, CT (US) 06825

* cited by examiner

(**) Term: **14 Years**

Primary Examiner—Holly H. Baynham

Assistant Examiner—Cynthia M Chin

(21) Appl. No.: **29/292,937**

(74) *Attorney, Agent, or Firm*—Patrick J. Walsh

(22) Filed: **Nov. 1, 2007**

(57) **CLAIM**

(51) **LOC (8) Cl.** **12-06**

The ornamental design for a kayak, as shown and described.

(52) **U.S. Cl.** **D12/302**

DESCRIPTION

(58) **Field of Classification Search** D12/300,
D12/302, 303, 304, 316, 317; 114/343, 345,
114/347, 348, 351–358, 361, 363; D21/542,
D21/801

FIG. 1 is a top plan view of kayak, showing my new design;

FIG. 2 is a right side (port) elevation view thereof, the left
(starboard) side being the same;

See application file for complete search history.

FIG. 3 is a bottom plan view thereof;

(56) **References Cited**

FIG. 4 is a front (bow) elevation view thereof;

U.S. PATENT DOCUMENTS

FIG. 5 is a rear (stern) elevation view thereof; and,

5,076,194 A * 12/1991 Curtis et al. 114/347

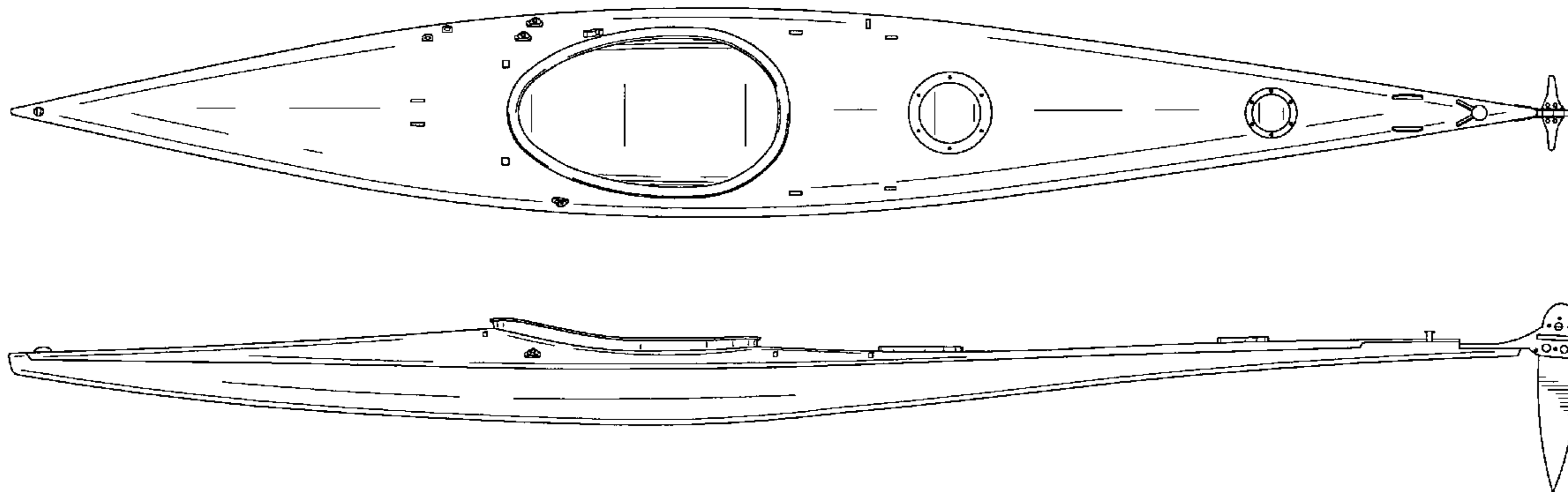
FIG. 6 is a rear, top perspective view thereof with the kayak
tilted down towards the rear.

D358,573 S * 5/1995 Lockwood D12/302

D385,528 S * 10/1997 Cronin D12/302

D400,843 S * 11/1998 Niemier D12/302

1 Claim, 5 Drawing Sheets



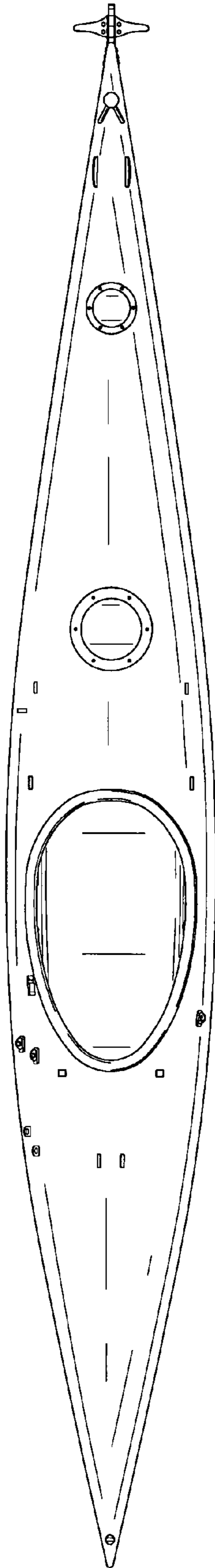


FIG. 1

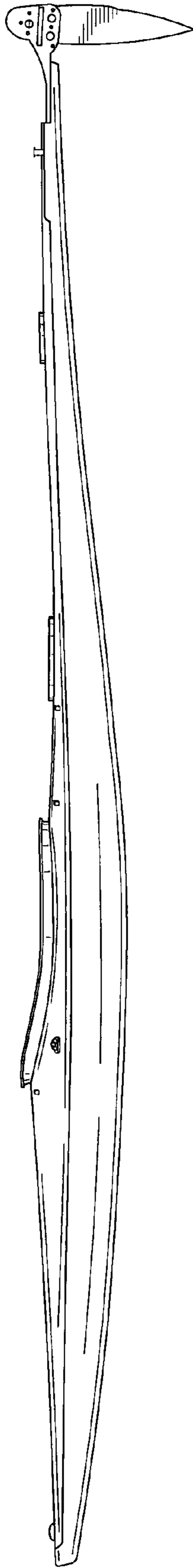


FIG. 2

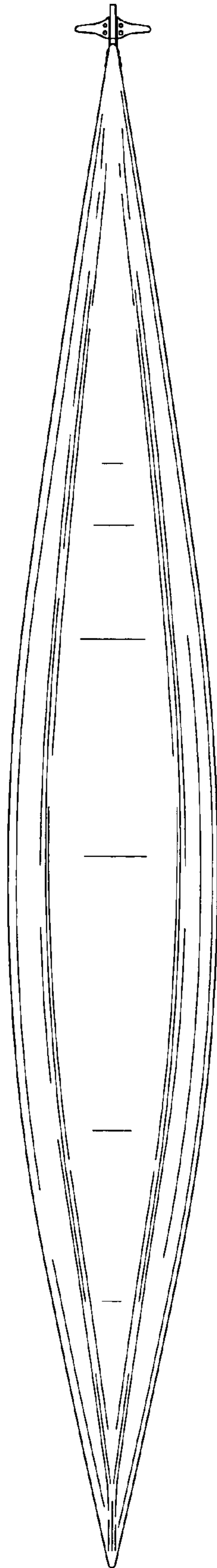


FIG. 3

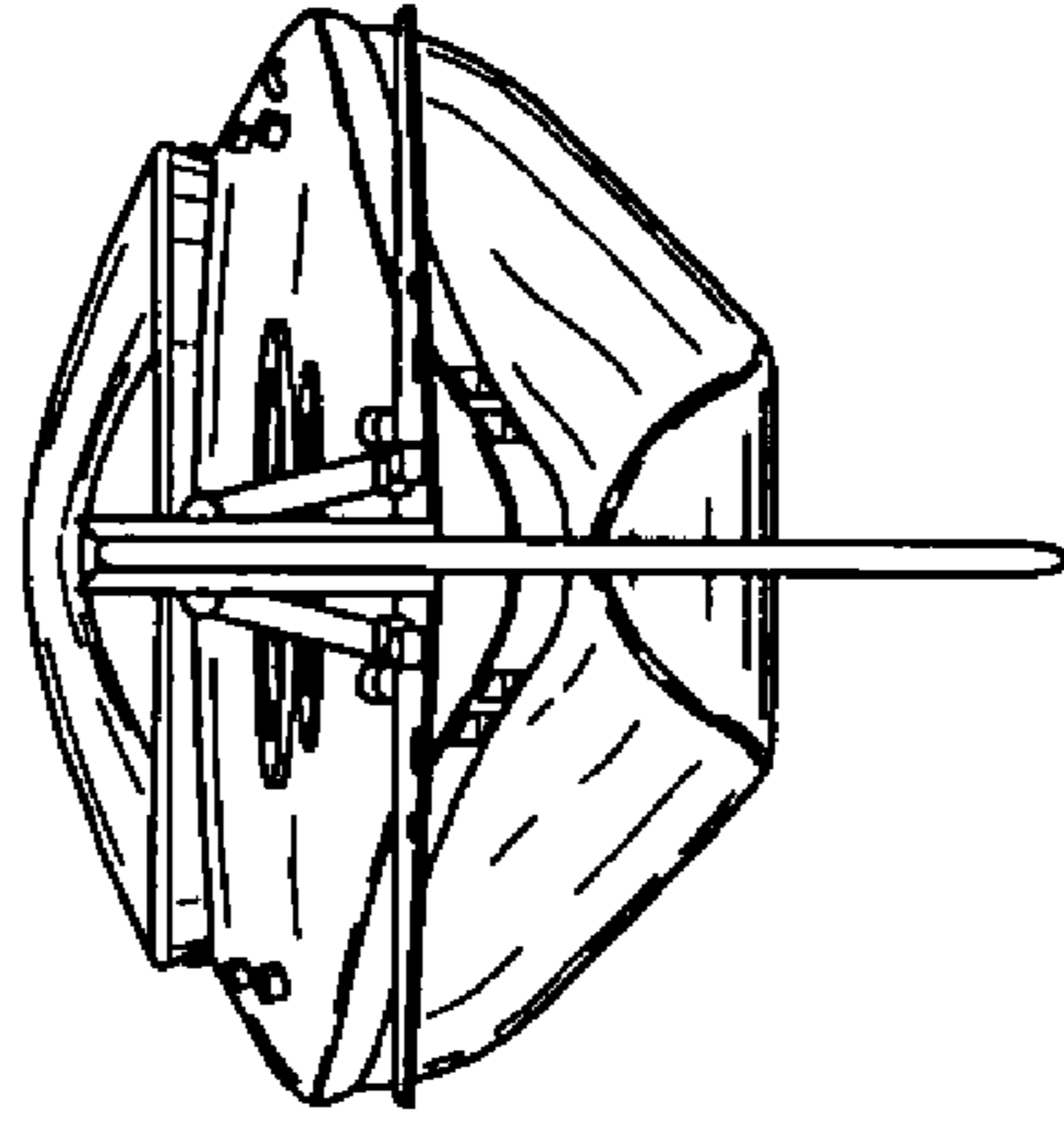


FIG. 5

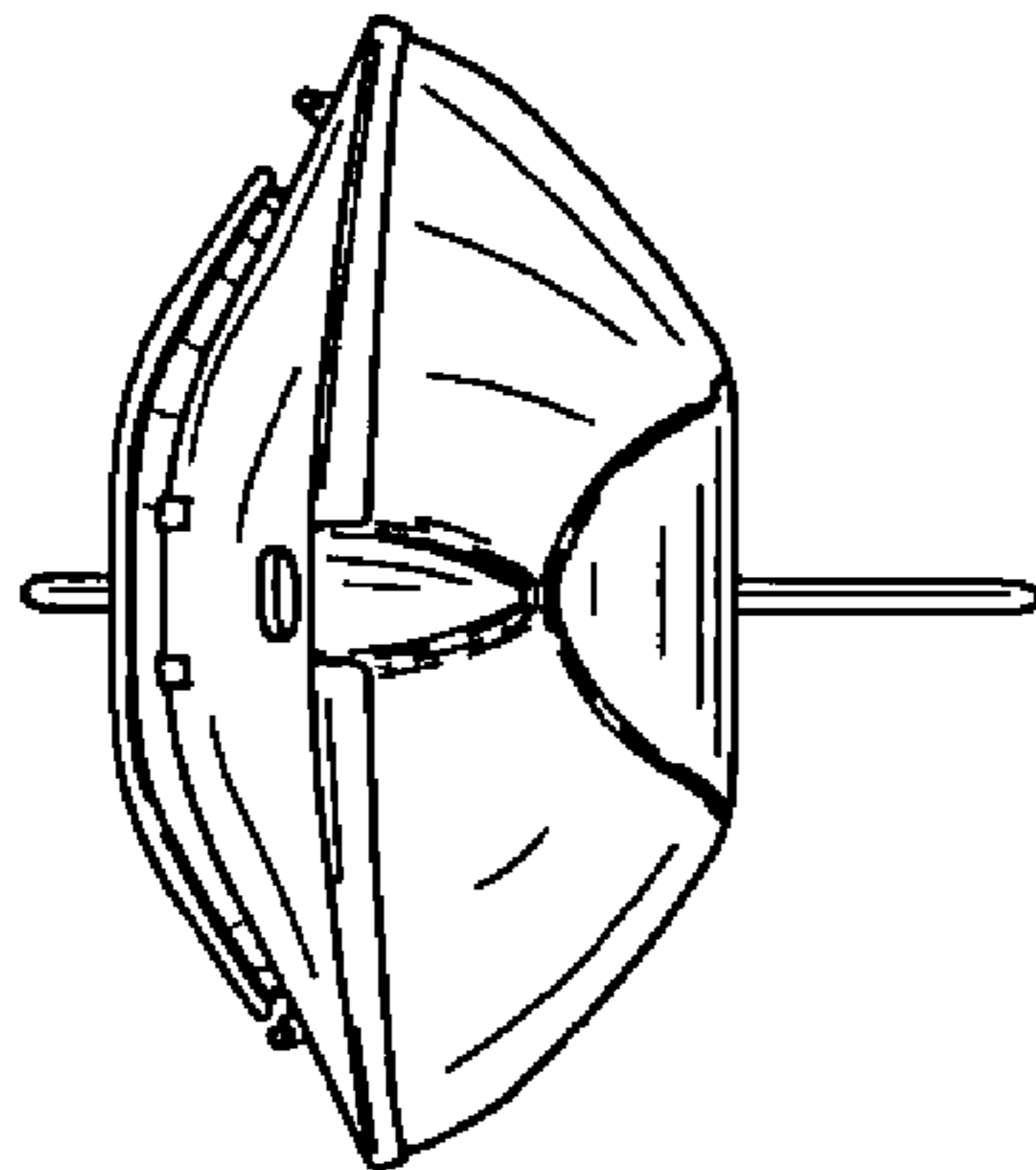


FIG. 4

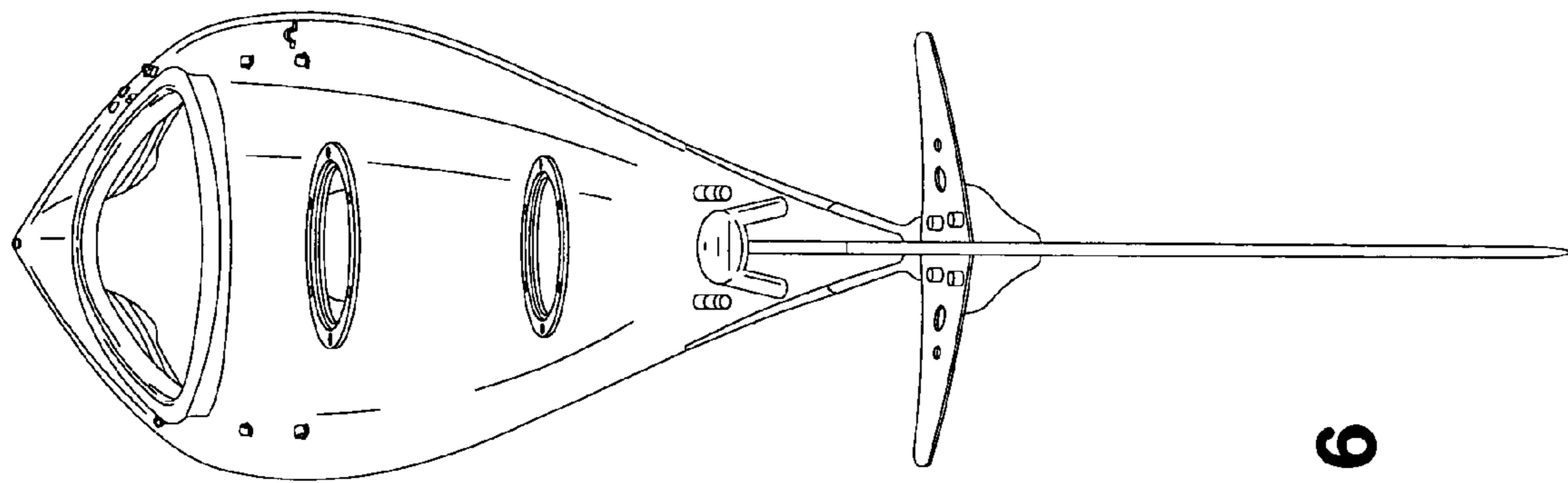


FIG. 6