



US00D569779S

(12) **United States Design Patent**  
**Ireland**

(10) **Patent No.:** **US D569,779 S**

(45) **Date of Patent:** **\*\* May 27, 2008**

(54) **WHEEL GRIP**

(75) Inventor: **Barry Ross Ireland**, Moosomin (CA)

(73) Assignee: **Classic Tractor Parts Ltd.**, Moosomin,  
Saskatchewan (CA)

(\*\*) Term: **14 Years**

(21) Appl. No.: **29/259,329**

(22) Filed: **May 8, 2006**

(30) **Foreign Application Priority Data**

Nov. 16, 2005 (CA) ..... 113510

(51) **LOC (8) Cl.** ..... **12-16**

(52) **U.S. Cl.** ..... **D12/213**

(58) **Field of Classification Search** ..... D12/213,  
D12/209, 204; 294/131; D7/387, 358, 391-392.1;  
301/108.1-108.5, 37.103, 37.101, 37.21,  
301/37.39, 37.31, 37.42, 37.104; 15/257.01;  
118/505; 220/908, 912

See application file for complete search history.

(56) **References Cited**

U.S. PATENT DOCUMENTS

5,630,654 A \* 5/1997 Chase ..... 301/37.43  
6,969,124 B2 \* 11/2005 Gerard ..... 301/37.32

\* cited by examiner

*Primary Examiner*—Robert M. Spear

*Assistant Examiner*—Katrina A Kile

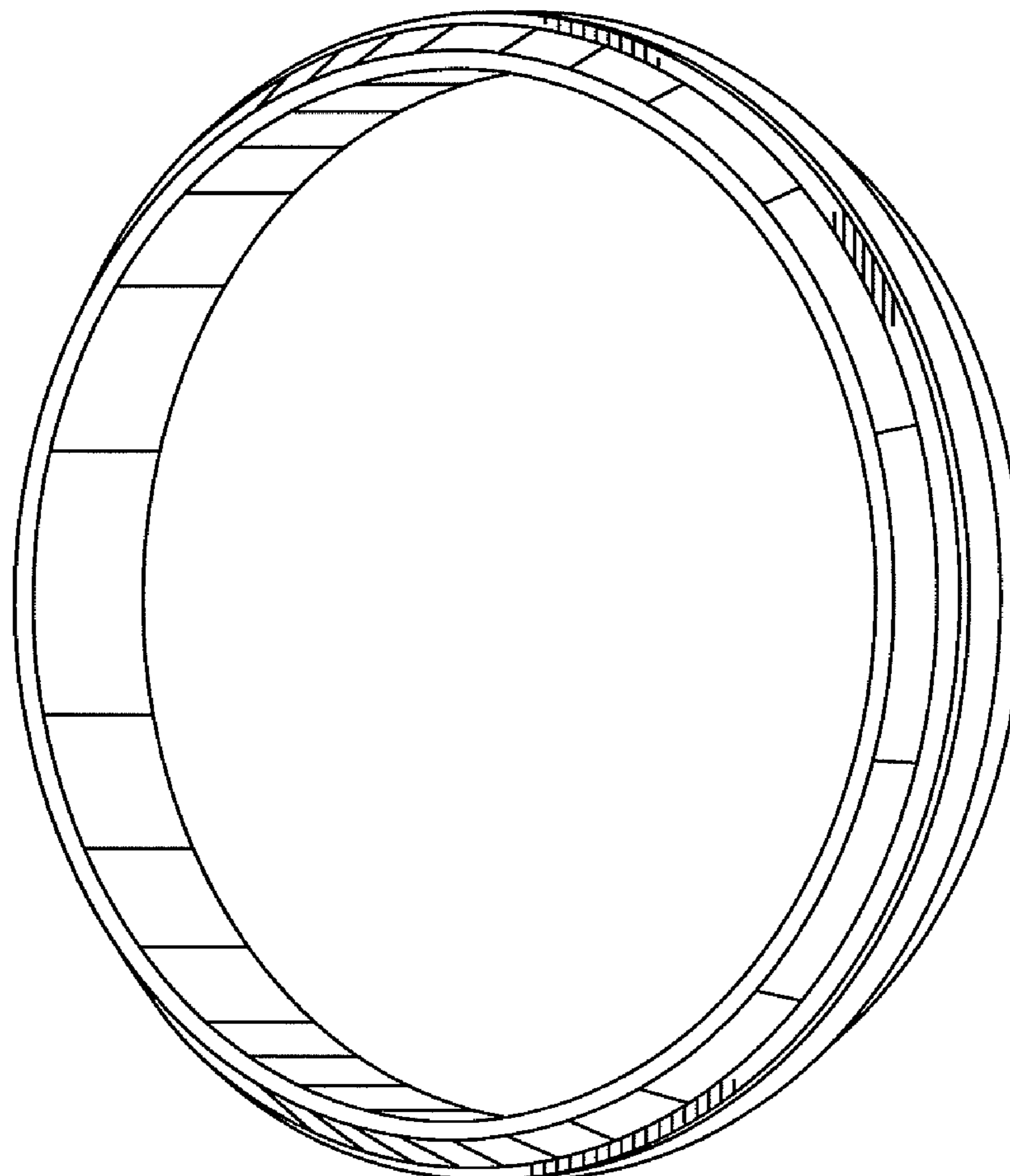
(57) **CLAIM**

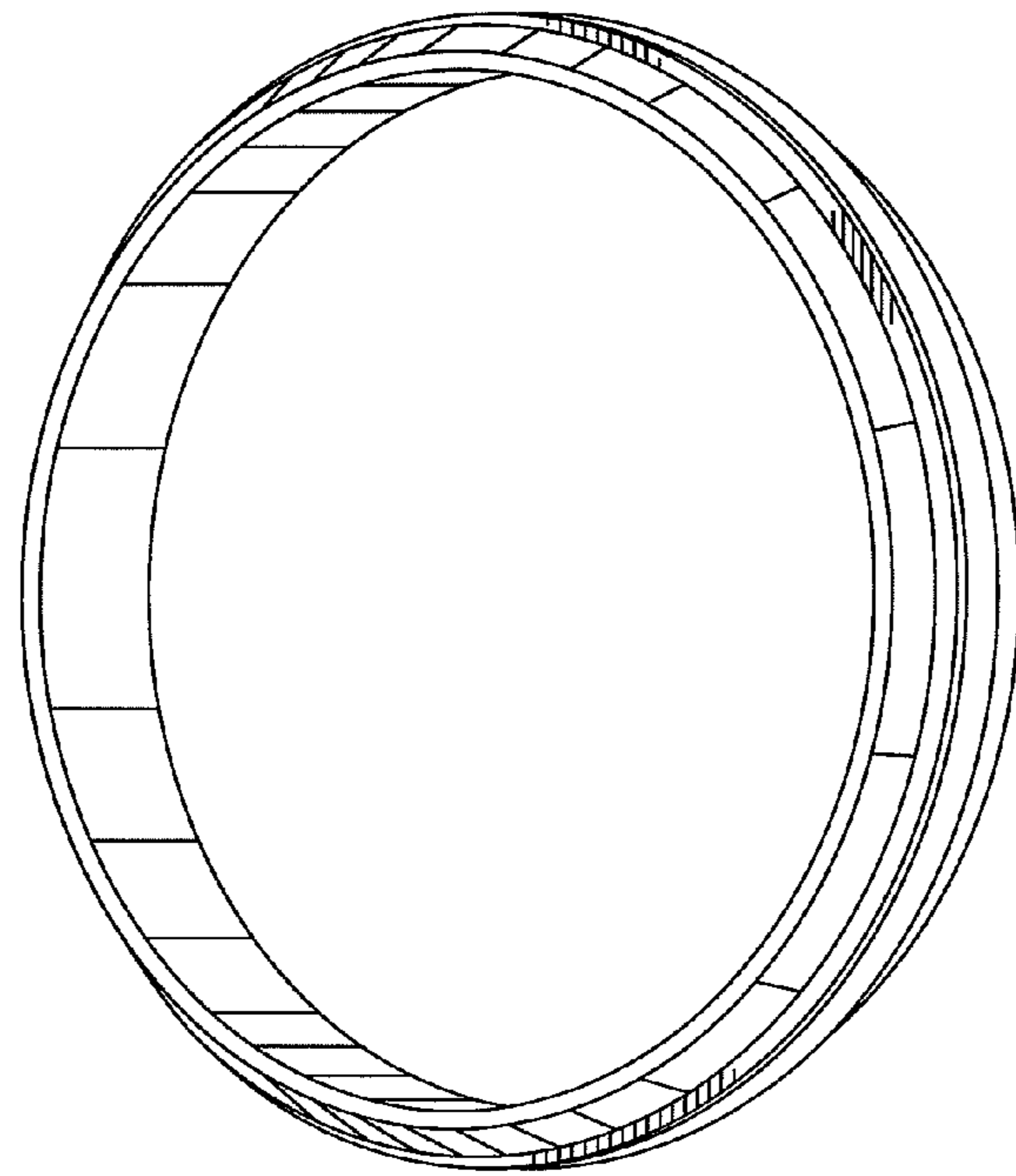
The ornamental design for a wheel grip, as shown and described.

**DESCRIPTION**

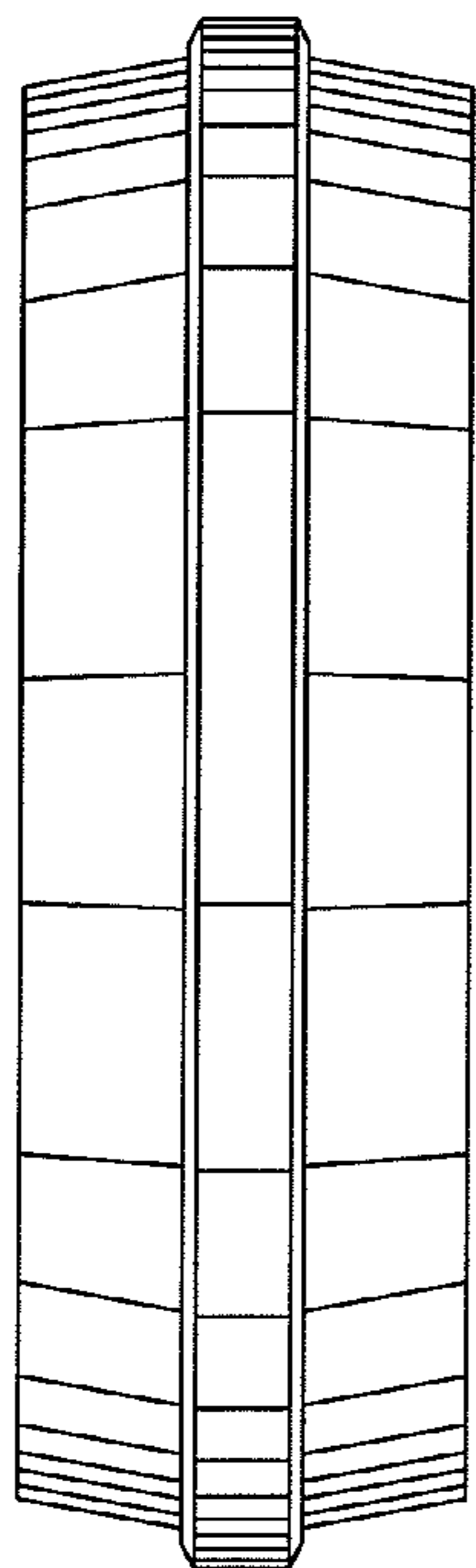
FIG. 1 is a perspective view of my new design;  
FIG. 2 is a front elevational view of my new design; and,  
FIG. 3 is a left side elevational view of my new design.

**1 Claim, 1 Drawing Sheet**

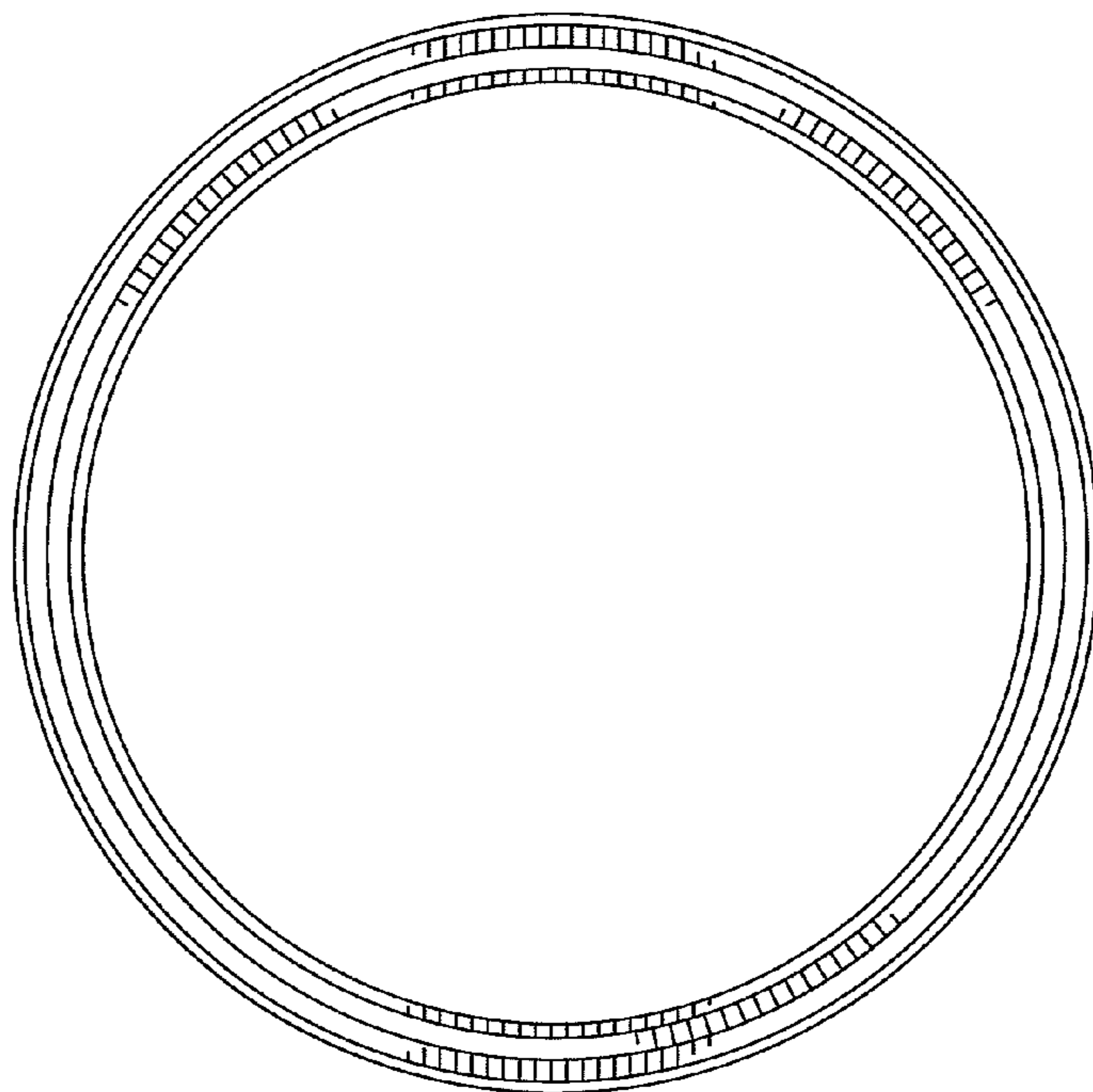




**FIG. 1**



**FIG. 2**



**FIG. 3**