

US00D569778S

(12) **United States Design Patent**  
**Kim**

(10) **Patent No.:** **US D569,778 S**

(45) **Date of Patent:** **\*\* May 27, 2008**

(54) **AUTOMOTIVE WHEEL**

(75) Inventor: **Paul J. Kim**, Industry, CA (US)

(73) Assignee: **The Wheel Group**, Industry, CA (US)

(\*\*) Term: **14 Years**

(21) Appl. No.: **29/301,136**

(22) Filed: **Feb. 13, 2008**

(51) **LOC (8) Cl.** ..... **12-16**

(52) **U.S. Cl.** ..... **D12/211**

(58) **Field of Classification Search** ..... D12/204-213;  
301/37.101, 64.101, 65, 64.201

See application file for complete search history.

(56) **References Cited**

**U.S. PATENT DOCUMENTS**

D422,258 S	*	4/2000	Hale, Jr.	.....	D12/211
D492,927 S	*	7/2004	Fitzgerald	.....	D12/211
D499,062 S	*	11/2004	Cheng	.....	D12/209
D514,496 S	*	2/2006	Neeper	.....	D12/211

D518,430 S	*	4/2006	Scheu	.....	D12/211
D526,267 S	*	8/2006	Looho	.....	D12/211
D543,493 S	*	5/2007	Kim	.....	D12/209
D548,165 S	*	8/2007	Young	.....	D12/211
D553,070 S	*	10/2007	Tirado	.....	D12/211

\* cited by examiner

*Primary Examiner*—Stacia Cadmus

(57) **CLAIM**

The ornamental design for an automotive wheel, as shown and described.

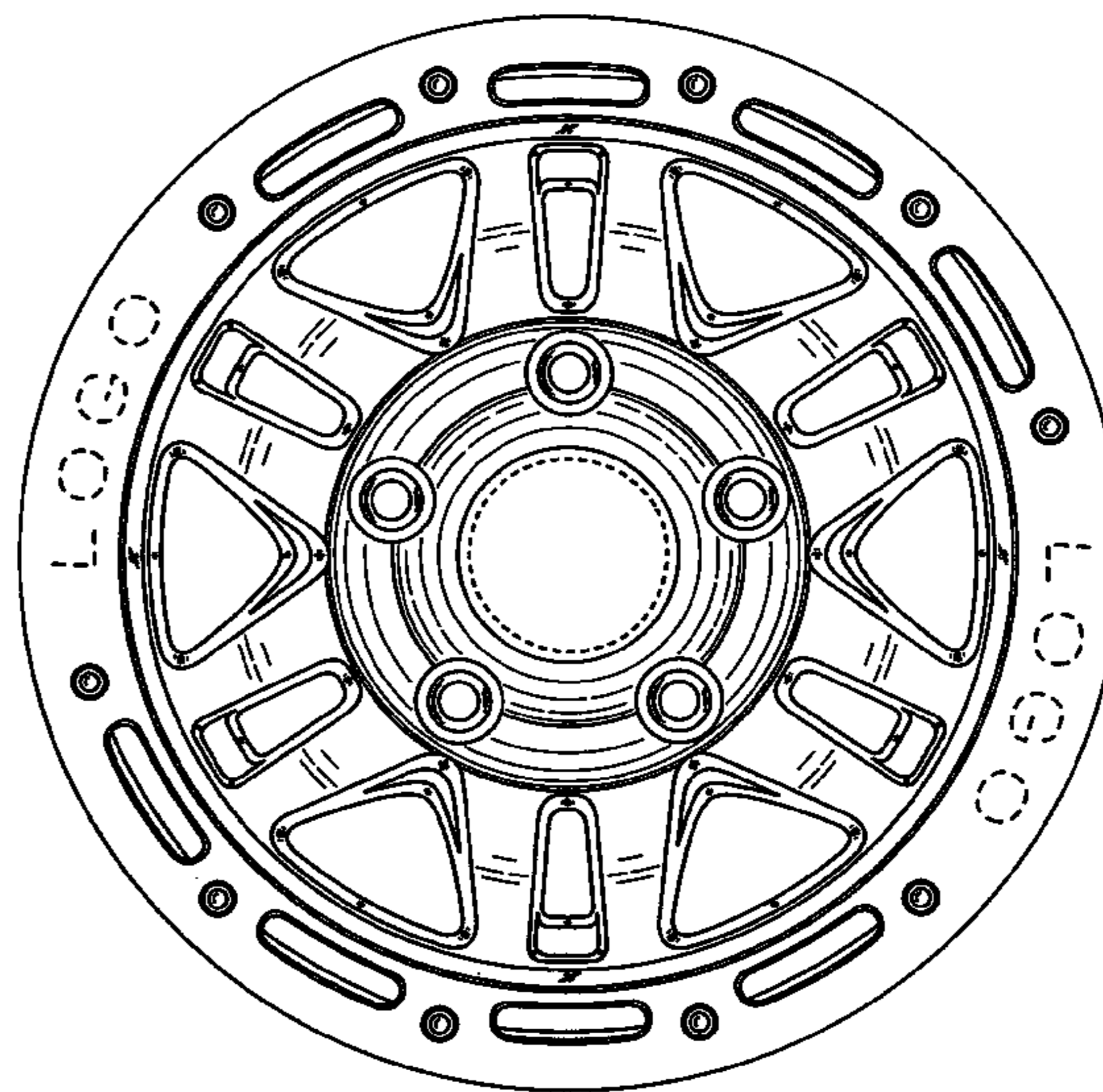
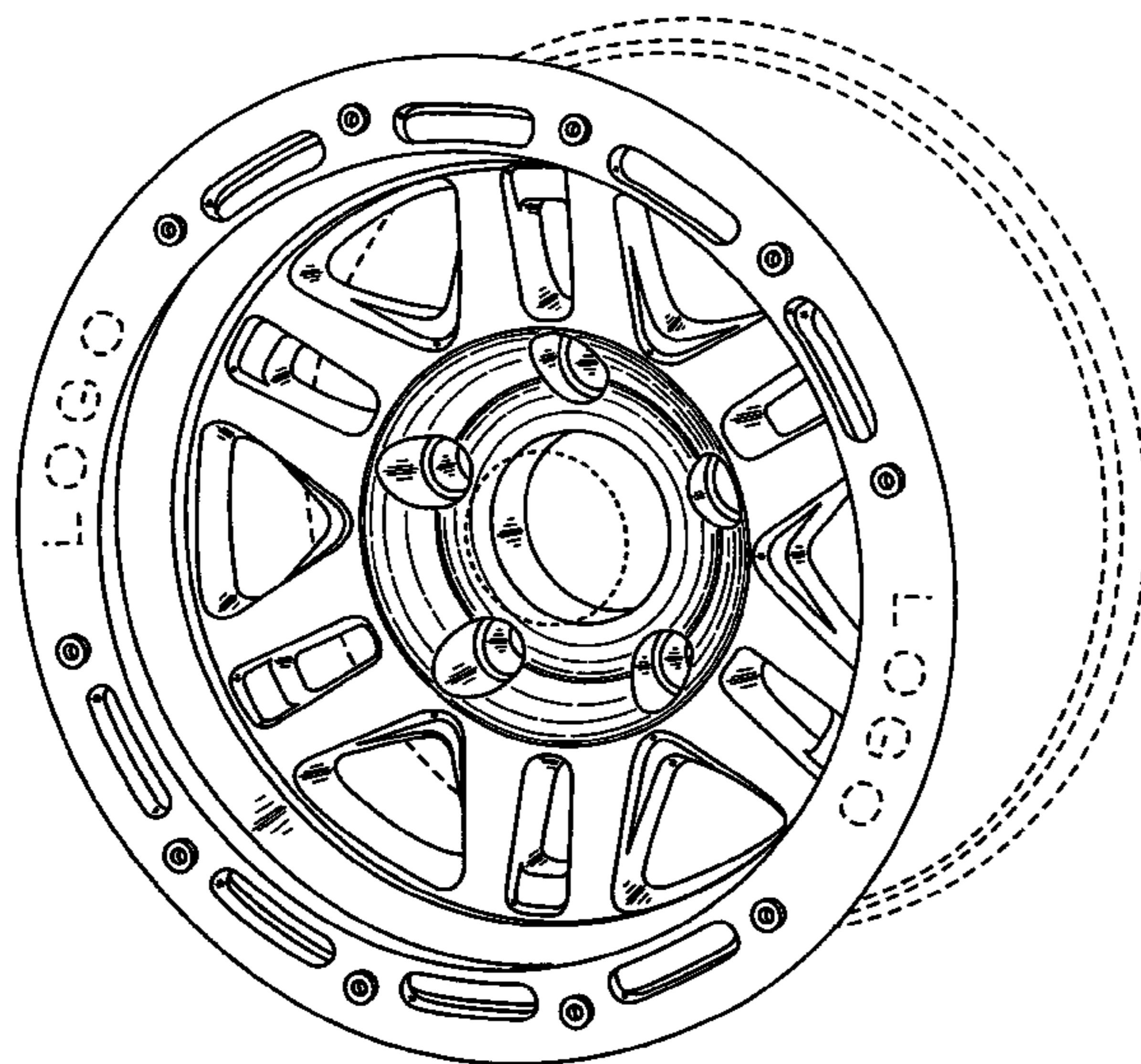
**DESCRIPTION**

FIG. 1 is a perspective view of an automotive wheel showing my new design; and,

FIG. 2 is a front elevational view of an automotive wheel showing the design herein described.

The broken lines are for illustrative purposes only, and form no part of the claimed design.

**1 Claim, 2 Drawing Sheets**



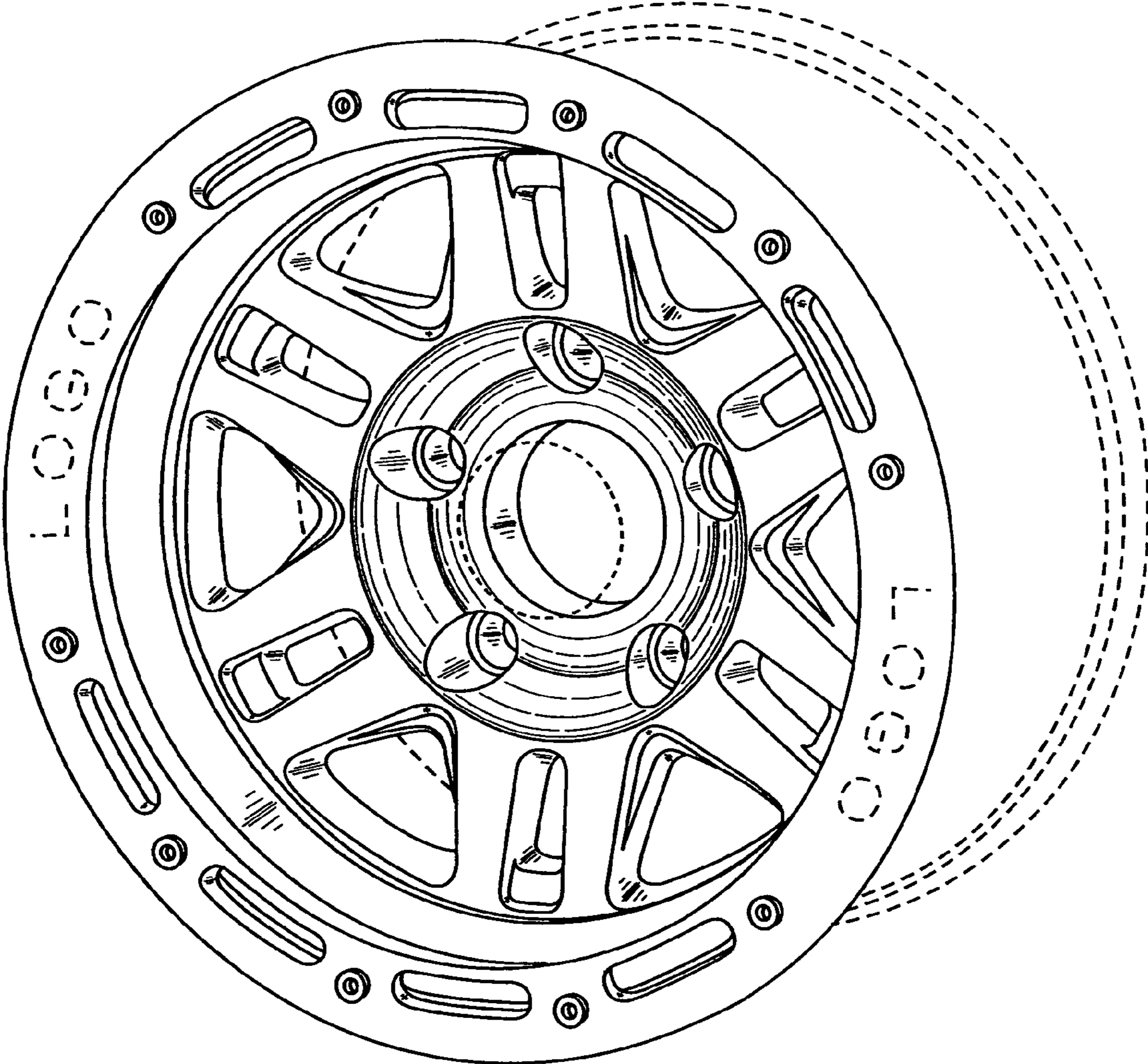


Fig. 1

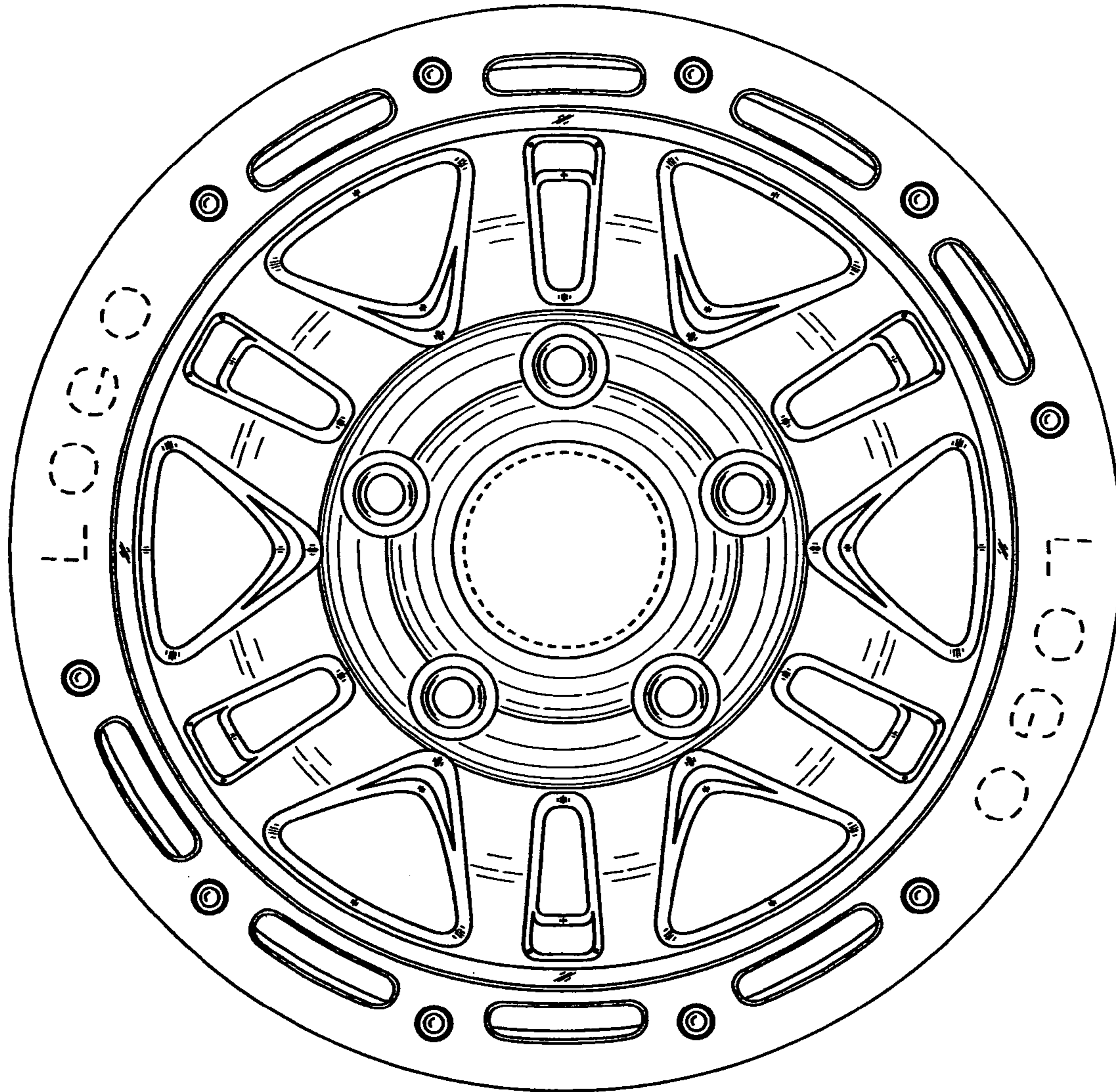


Fig. 2