

US00D569777S

(12) **United States Design Patent**
Chung

(10) **Patent No.:** **US D569,777 S**

(45) **Date of Patent:** **** May 27, 2008**

(54) **WHEEL**

(75) Inventor: **Suny Chung**, Yorba Linda, CA (US)

(73) Assignee: **Wheel Pros, Inc.**, Lakewood, CO (US)

(**) Term: **14 Years**

(21) Appl. No.: **29/296,771**

(22) Filed: **Oct. 27, 2007**

(51) **LOC (8) Cl.** **12-16**

(52) **U.S. Cl.** **D12/211**

(58) **Field of Classification Search** D12/204–213;
301/37.101, 64.101, 65, 64.201

See application file for complete search history.

D486,114 S	2/2004	Lai
D487,882 S	3/2004	Cahyono
D488,116 S	4/2004	Chung
D488,422 S	4/2004	Hartanto
D488,762 S	4/2004	Cahyono
D488,763 S	4/2004	Takechi
D490,040 S	5/2004	Foose
D492,234 S	6/2004	Kataoka
D492,240 S	6/2004	Suciu
D493,406 S	7/2004	Kataoka
D494,523 S	8/2004	Koenigsberg
D495,285 S	8/2004	Phillips
D497,133 S	10/2004	Cheng
D497,134 S	10/2004	Anerson et al.
D497,139 S	10/2004	Anderson et al.
D499,060 S	11/2004	Cahyono
D504,099 S	4/2005	Boyer

(Continued)

(56) **References Cited**

U.S. PATENT DOCUMENTS

D214,620 S	7/1969	Barris	
D402,951 S	* 12/1998	Wechner	D12/211
D415,094 S	* 10/1999	Neeper	D12/211
D417,427 S	12/1999	Brown	
D421,953 S	* 3/2000	Sims et al.	D12/211
D436,339 S	1/2001	Fitzgerald	
D449,267 S	10/2001	Fitzgerald	
D456,757 S	5/2002	Schroeder	
D457,849 S	5/2002	Kataoka	
D459,691 S	7/2002	Takechi	
D460,941 S	7/2002	Muzzarelli	
D461,155 S	8/2002	Takechi	
D465,758 S	11/2002	Plessing	
D467,857 S	12/2002	Chung	
D468,678 S	1/2003	Oh	
D471,500 S	3/2003	Kataoka	
D471,503 S	3/2003	Baumgartner	
D474,141 S	5/2003	Foose	
D475,962 S	6/2003	Chung	
D478,306 S	8/2003	Brown et al.	
D479,178 S	* 9/2003	Lai	D12/211
D481,346 S	10/2003	Vian	
D481,347 S	10/2003	Kang	
D484,083 S	12/2003	Tai	
D484,084 S	12/2003	Tai	

Primary Examiner—Stacia Cadmus

(74) *Attorney, Agent, or Firm*—Garcia-Zamor IP Law; Ruy M. Garcia-Zamor

(57) **CLAIM**

The ornamental design for a wheel, as shown and described.

DESCRIPTION

FIG. 1 is a perspective view of a wheel according to a preferred embodiment of my new design;

FIG. 2 is a front elevational view of the wheel of FIG. 1;

FIG. 3 is a left side elevational view of the wheel of FIG. 1, the right side elevational view of the wheel of FIG. 1 being a mirror image of FIG. 3;

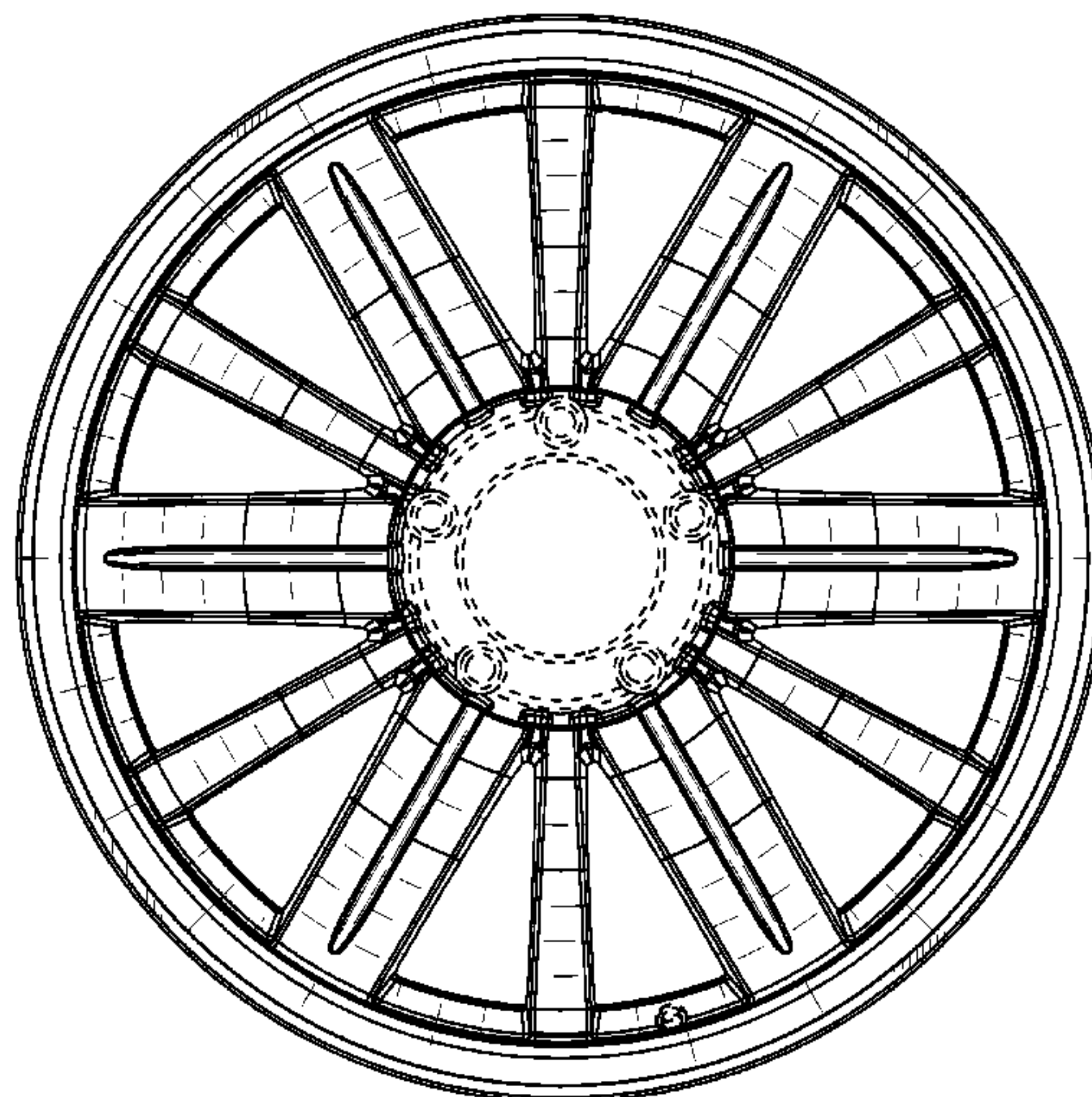
FIG. 4 is a top plan view of the wheel of FIG. 1;

FIG. 5 is a bottom plan view of the wheel of FIG. 1; and,

FIG. 6 is a rear elevational view of the wheel of FIG. 1.

The broken lines in FIGS. 1–6 represent environment and are for illustrative purposes only and do not constitute part of the claimed design.

1 Claim, 6 Drawing Sheets



US D569,777 S

Page 2

U.S. PATENT DOCUMENTS

D505,651 S	5/2005	Arellano et al.	
D506,429 S	6/2005	Arellano et al.	
D507,222 S	7/2005	Arellano et al.	
D513,726 S	1/2006	Kamimura	
D515,493 S *	2/2006	Schaefer	D12/211
D516,489 S *	3/2006	Alonso	D12/211
D516,991 S *	3/2006	Guevara	D12/211
D523,801 S *	6/2006	Madden	D12/211
D524,218 S *	7/2006	Madden	D12/211
D527,330 S *	8/2006	Madden	D12/211
D527,333 S *	8/2006	Blasi	D12/211
D527,699 S	9/2006	Kiesel	
D533,827 S *	12/2006	Aydin	D12/211
D536,653 S *	2/2007	Rasmussen et al.	D12/211
D546,748 S *	7/2007	Young	D21/211
D555,065 S *	11/2007	Hernandez	D12/211

* cited by examiner

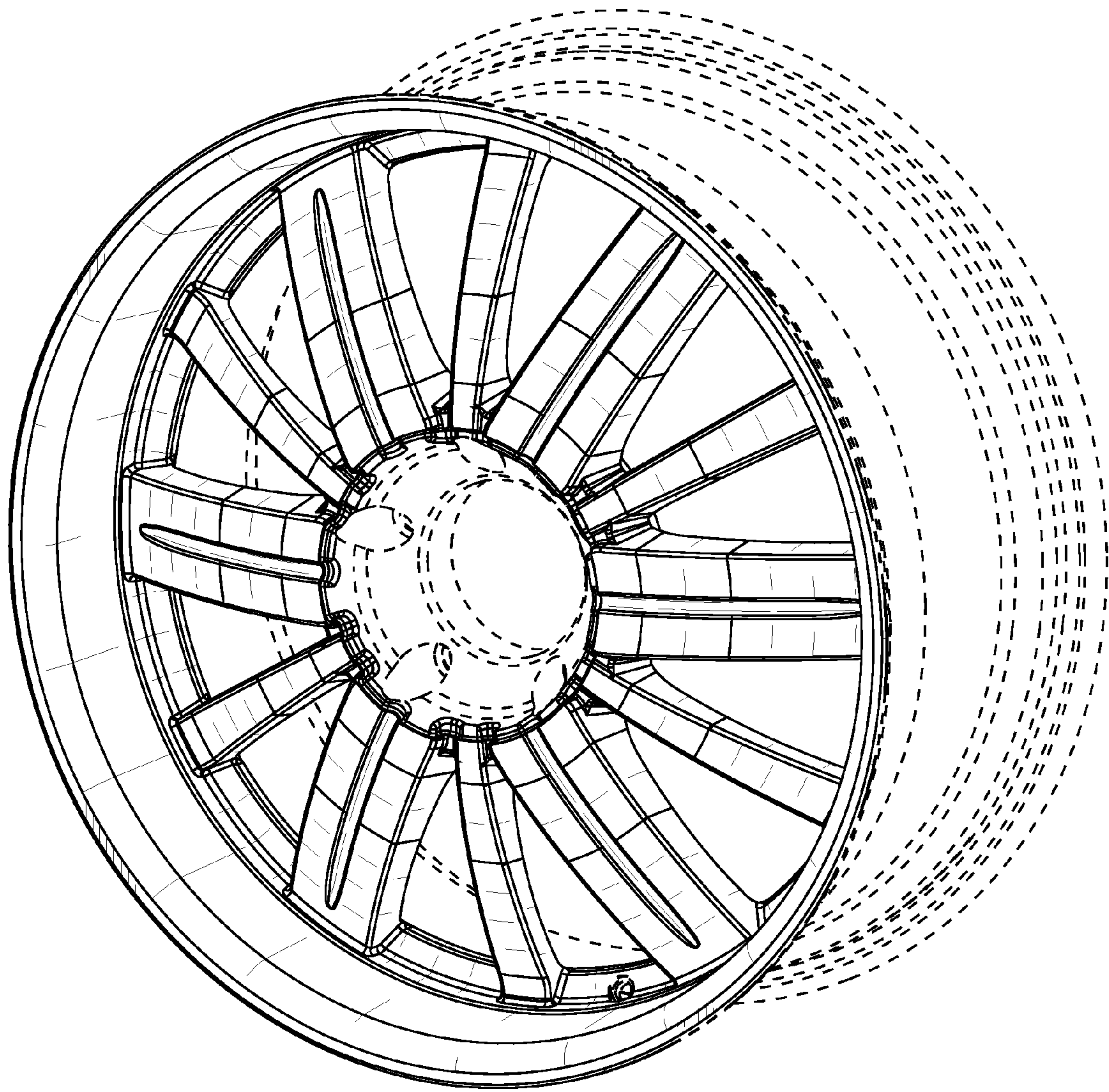


FIG. 1

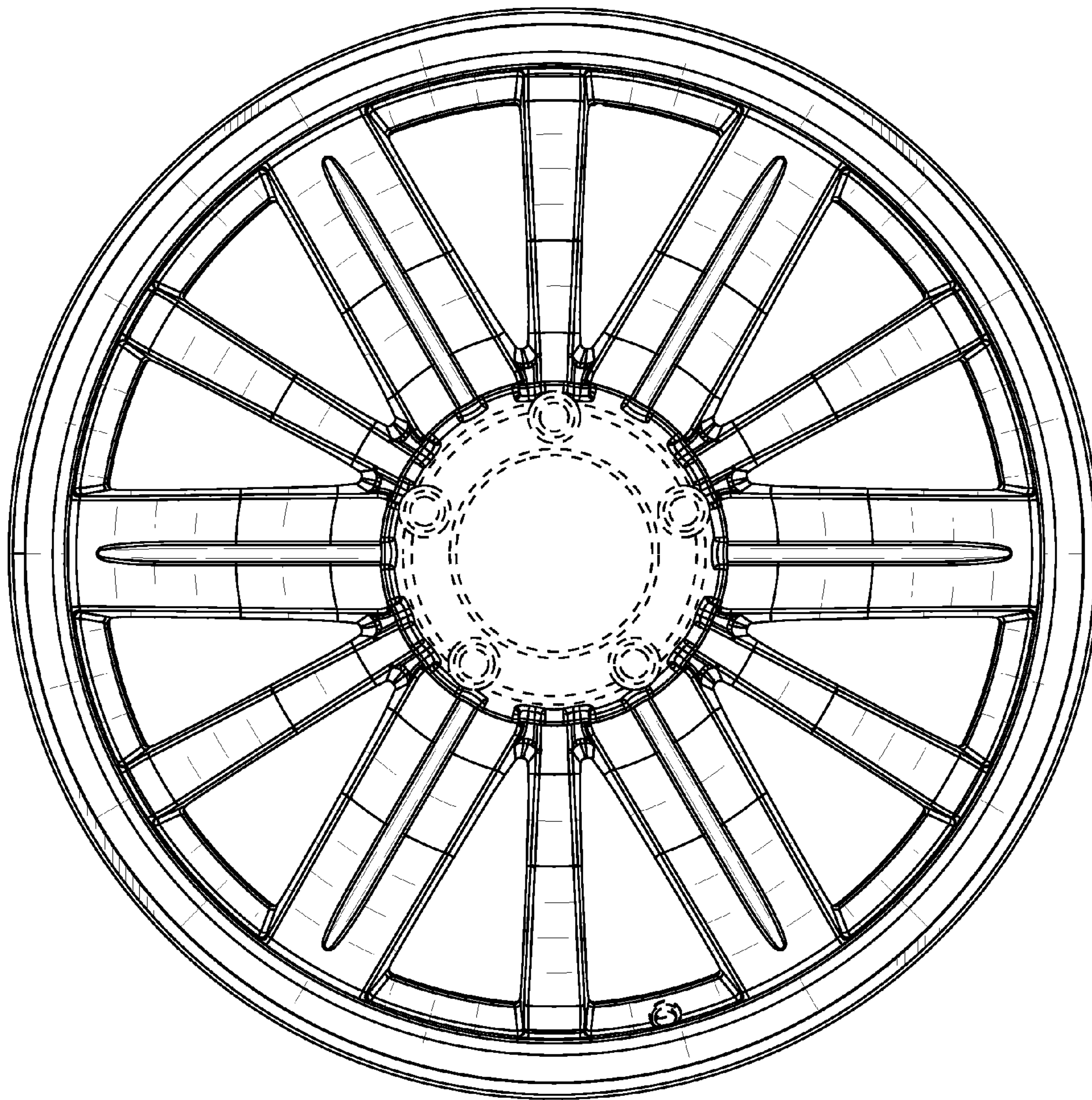


FIG. 2

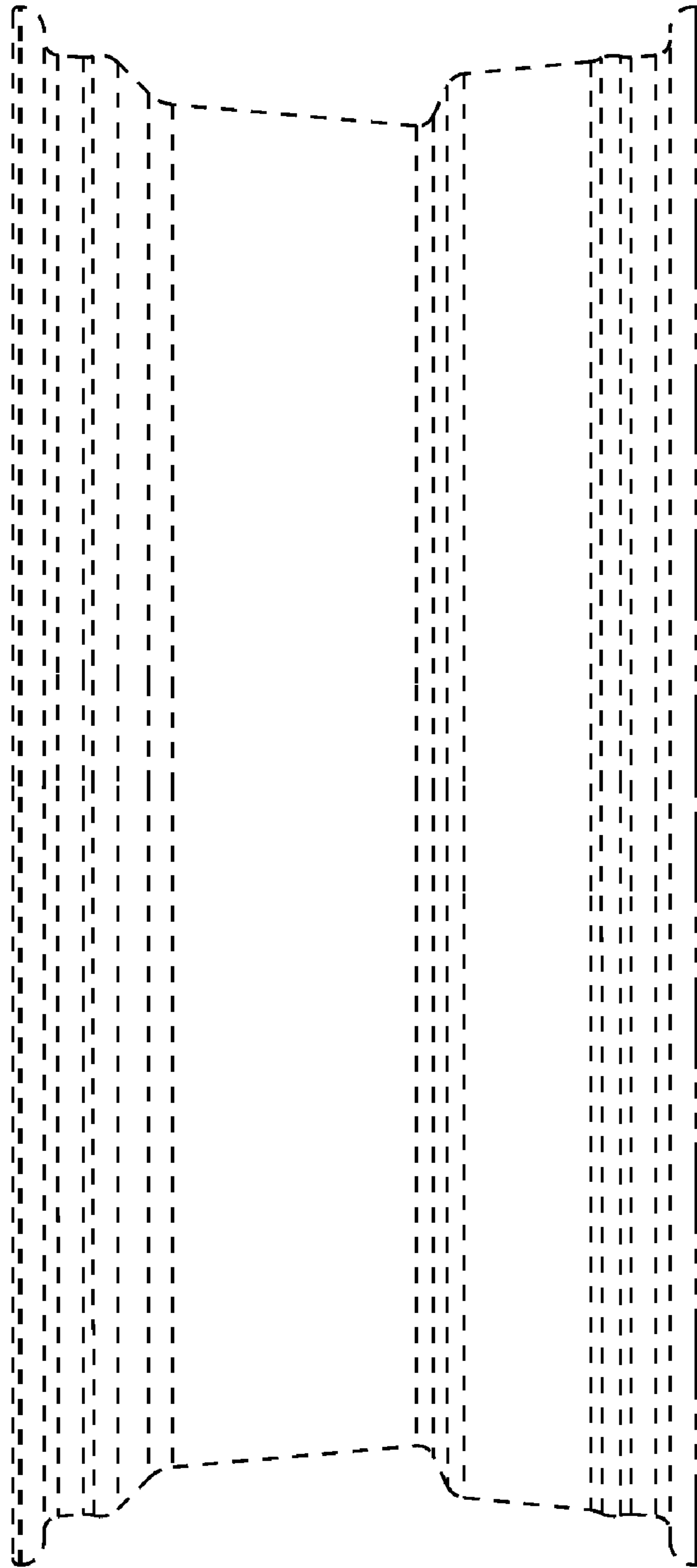


FIG. 3

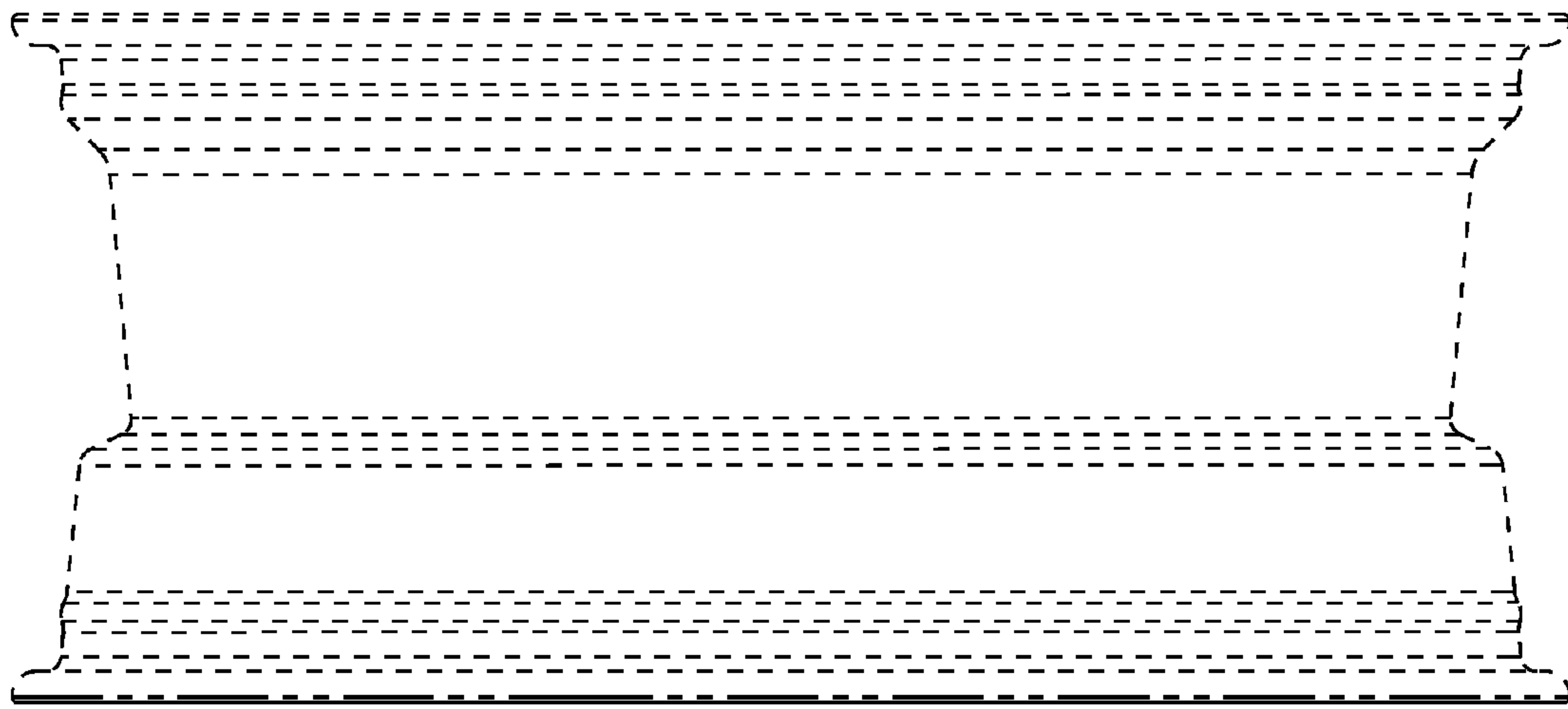


FIG. 4

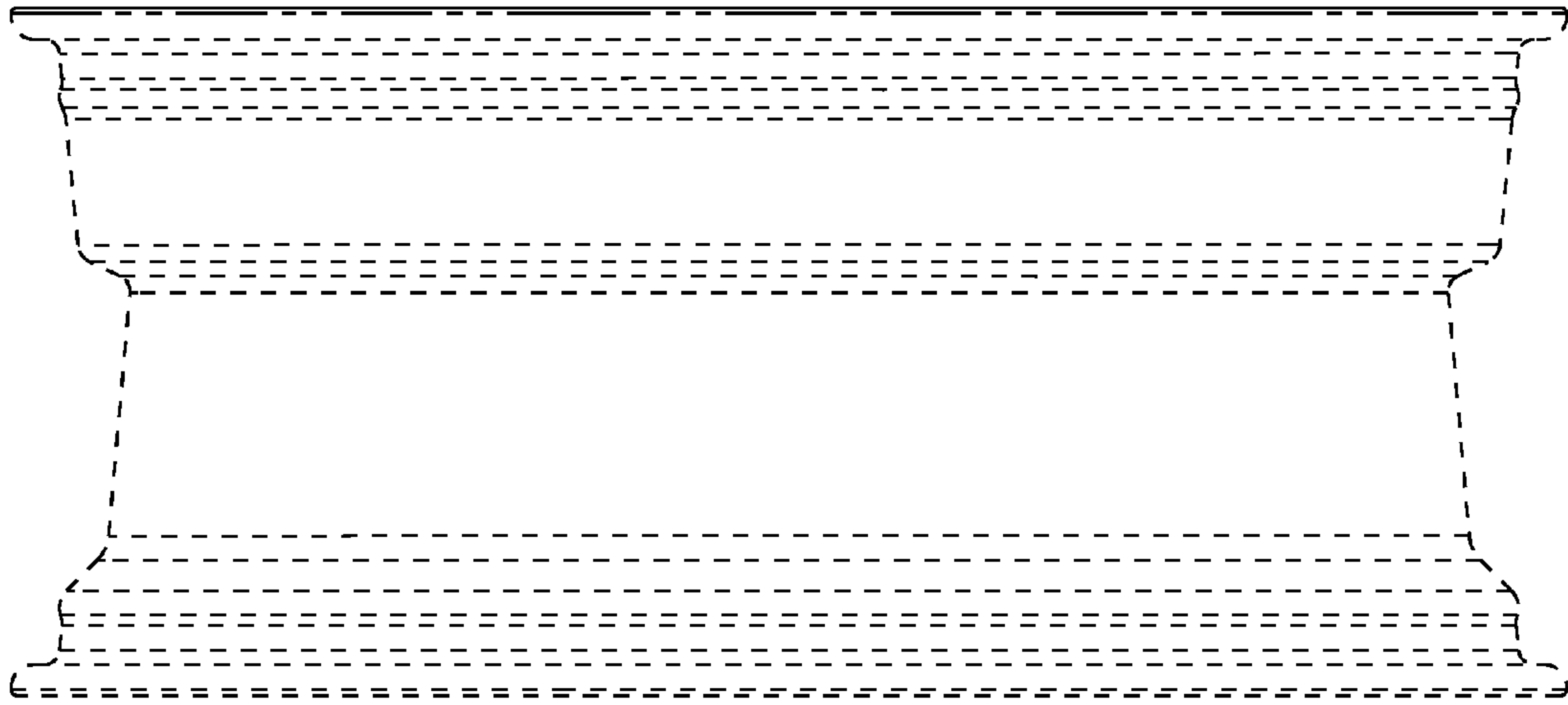


FIG. 5

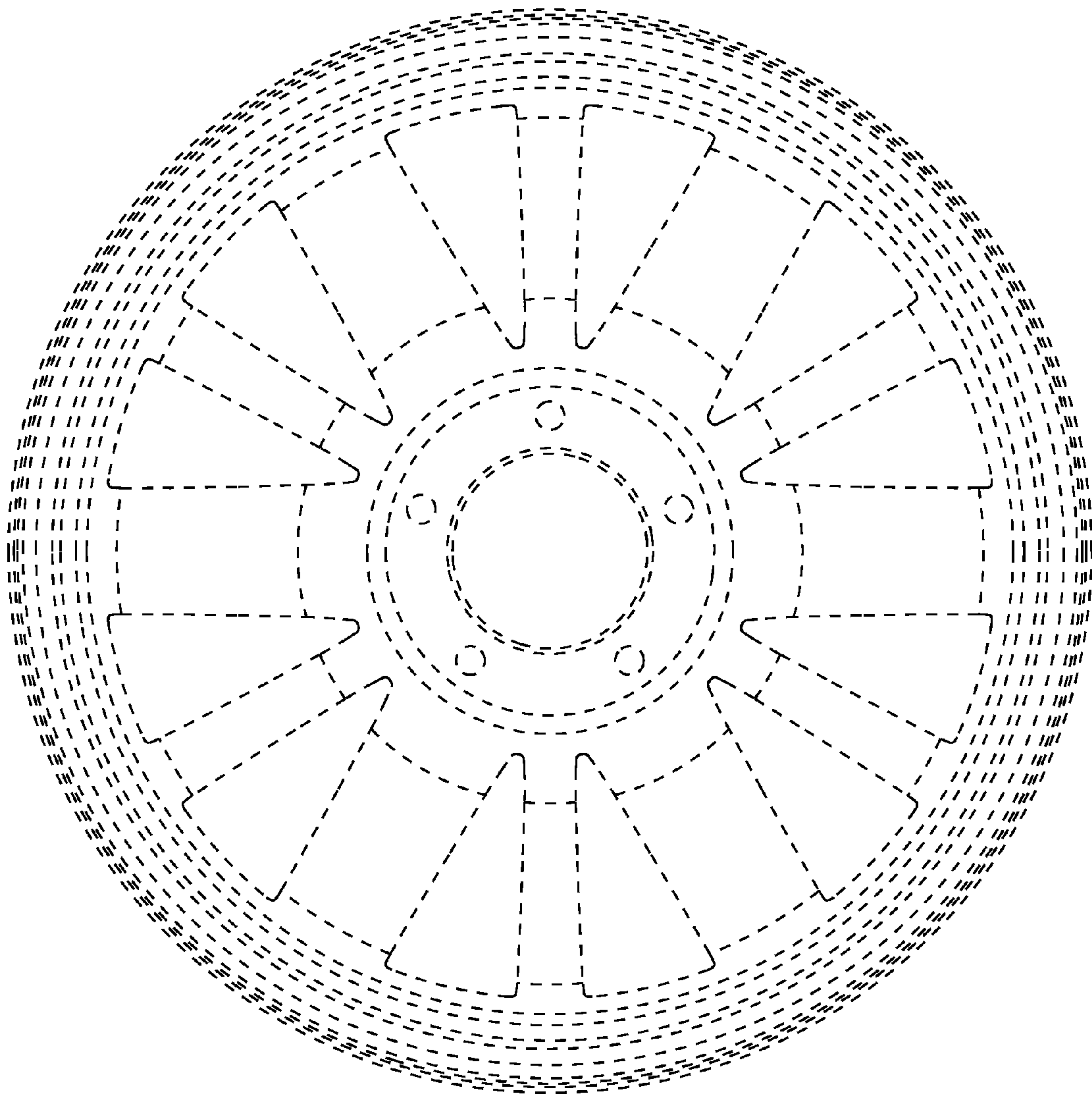


FIG. 6