



US00D569776S

(12) **United States Design Patent**  
**Hieke**

(10) **Patent No.:** **US D569,776 S**

(45) **Date of Patent:** **\*\* May 27, 2008**

(54) **FRONT FACE OF A VEHICLE WHEEL**

(75) Inventor: **Claus Hieke**, Sindelfingen (DE)

(73) Assignee: **DaimlerChrysler AG**, Stuttgart (DE)

(\*\*) Term: **14 Years**

(21) Appl. No.: **29/287,579**

(22) Filed: **Aug. 24, 2007**

(30) **Foreign Application Priority Data**

Feb. 27, 2007 (EM) ..... 000677596-0005

(51) **LOC (8) Cl.** ..... **12-16**

(52) **U.S. Cl.** ..... **D12/211**

(58) **Field of Classification Search** ..... D12/204-213;  
301/37.101, 64.101, 65, 64.201

See application file for complete search history.

(56) **References Cited**

**U.S. PATENT DOCUMENTS**

D267,564 S \* 1/1983 Wright ..... D12/211  
D459,689 S \* 7/2002 Hieke ..... D12/211  
D504,098 S \* 4/2005 Gallert ..... D12/209

D510,554 S \* 10/2005 Markefka ..... D12/211  
D530,258 S \* 10/2006 Schell ..... D12/211  
D542,726 S \* 5/2007 Hieke ..... D12/209  
D544,823 S \* 6/2007 Hieke ..... D12/211  
D546,265 S \* 7/2007 Young ..... D12/211  
D553,550 S \* 10/2007 Tirado ..... D12/211

\* cited by examiner

*Primary Examiner*—Stacia Cadmus

(74) *Attorney, Agent, or Firm*—Crowell & Moring LLP

(57) **CLAIM**

The ornamental design for a front face of a vehicle wheel, as shown and described.

**DESCRIPTION**

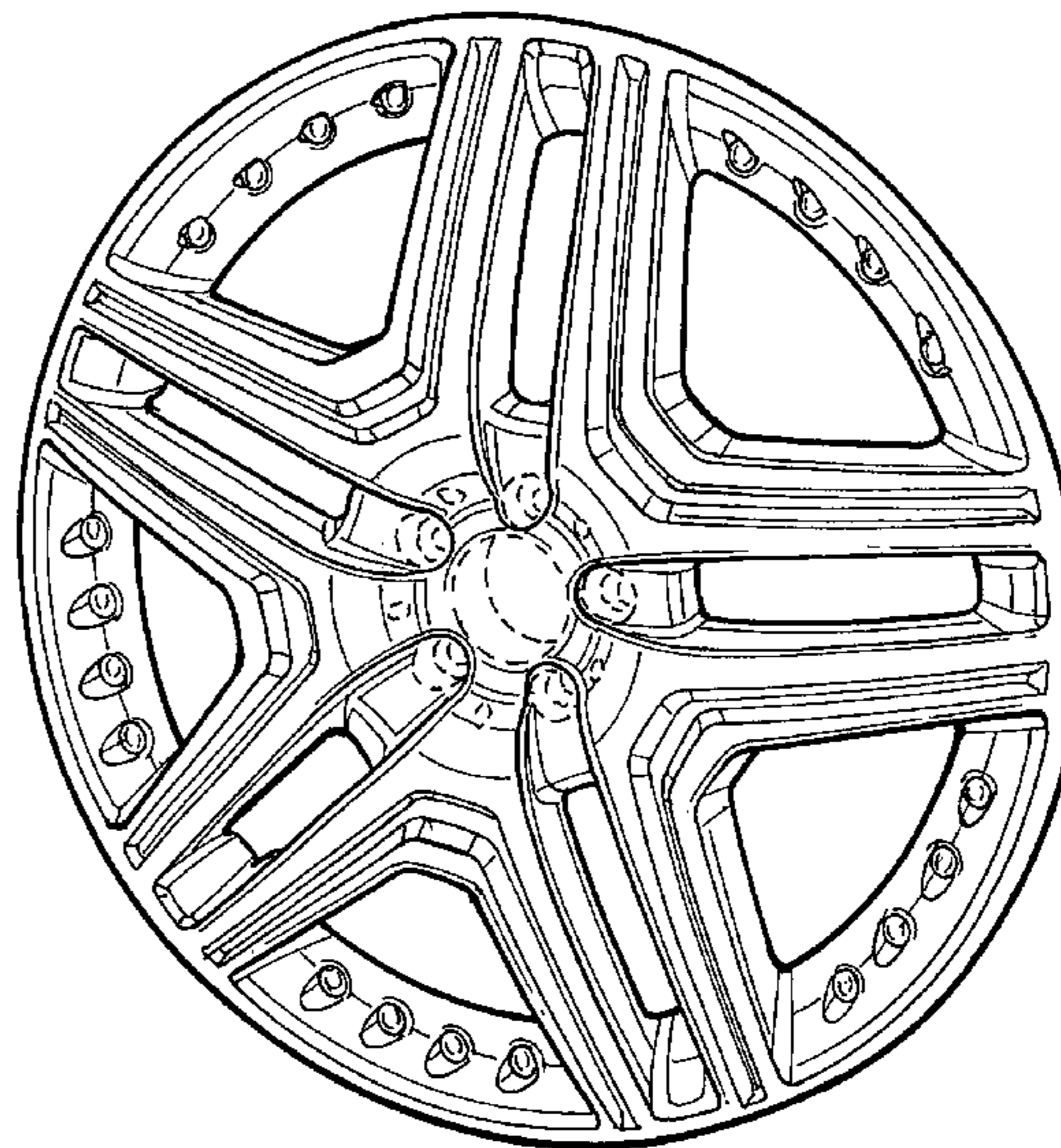
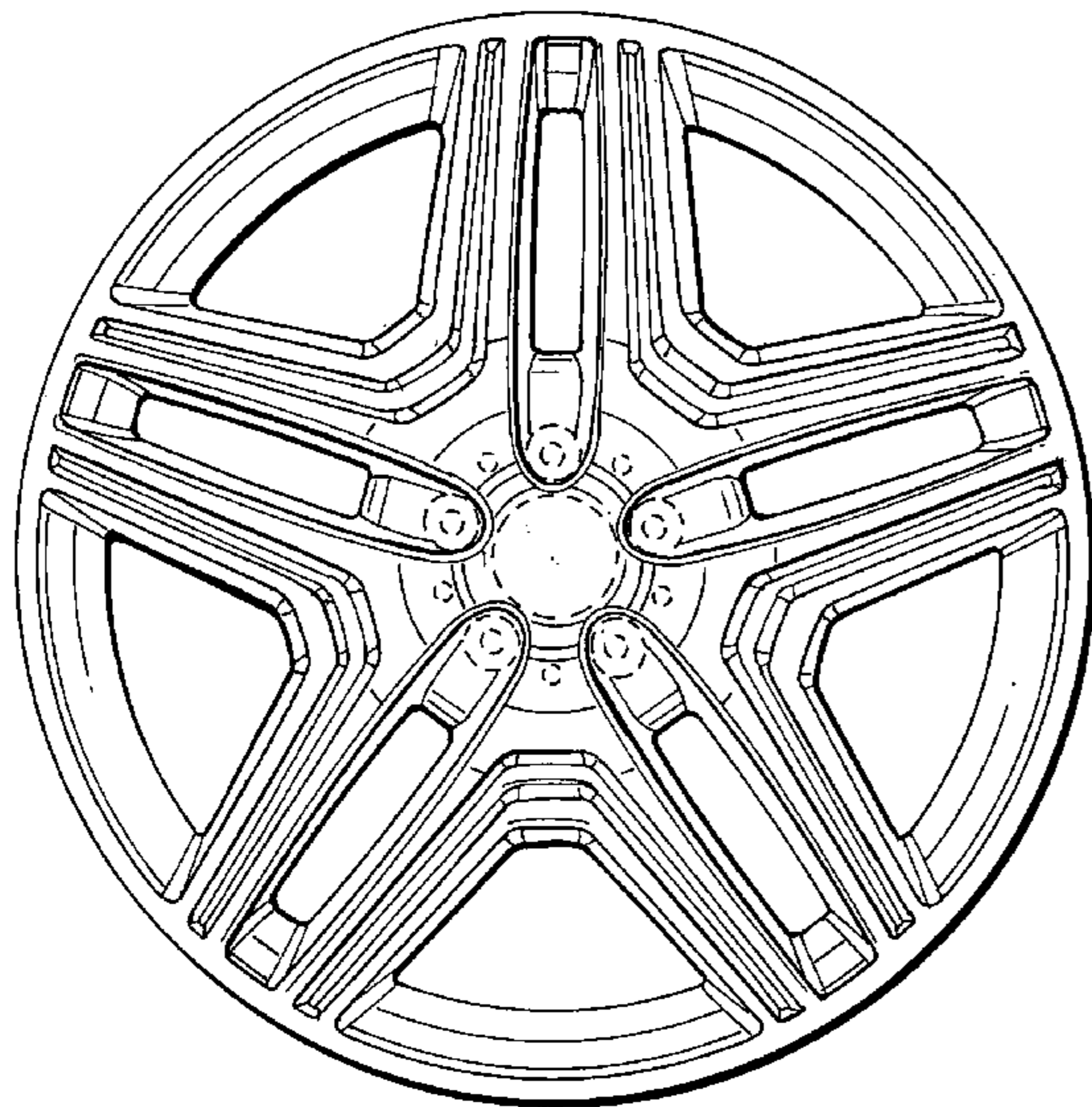
FIG. 1 is a front view of a first embodiment of a front face of a vehicle wheel according to my novel design; and

FIG. 2 is a perspective view thereof.

FIG. 3 is a front view of a second embodiment of the front face of a vehicle wheel according to my novel design; and,

FIG. 4 is a perspective view thereof.

**1 Claim, 2 Drawing Sheets**



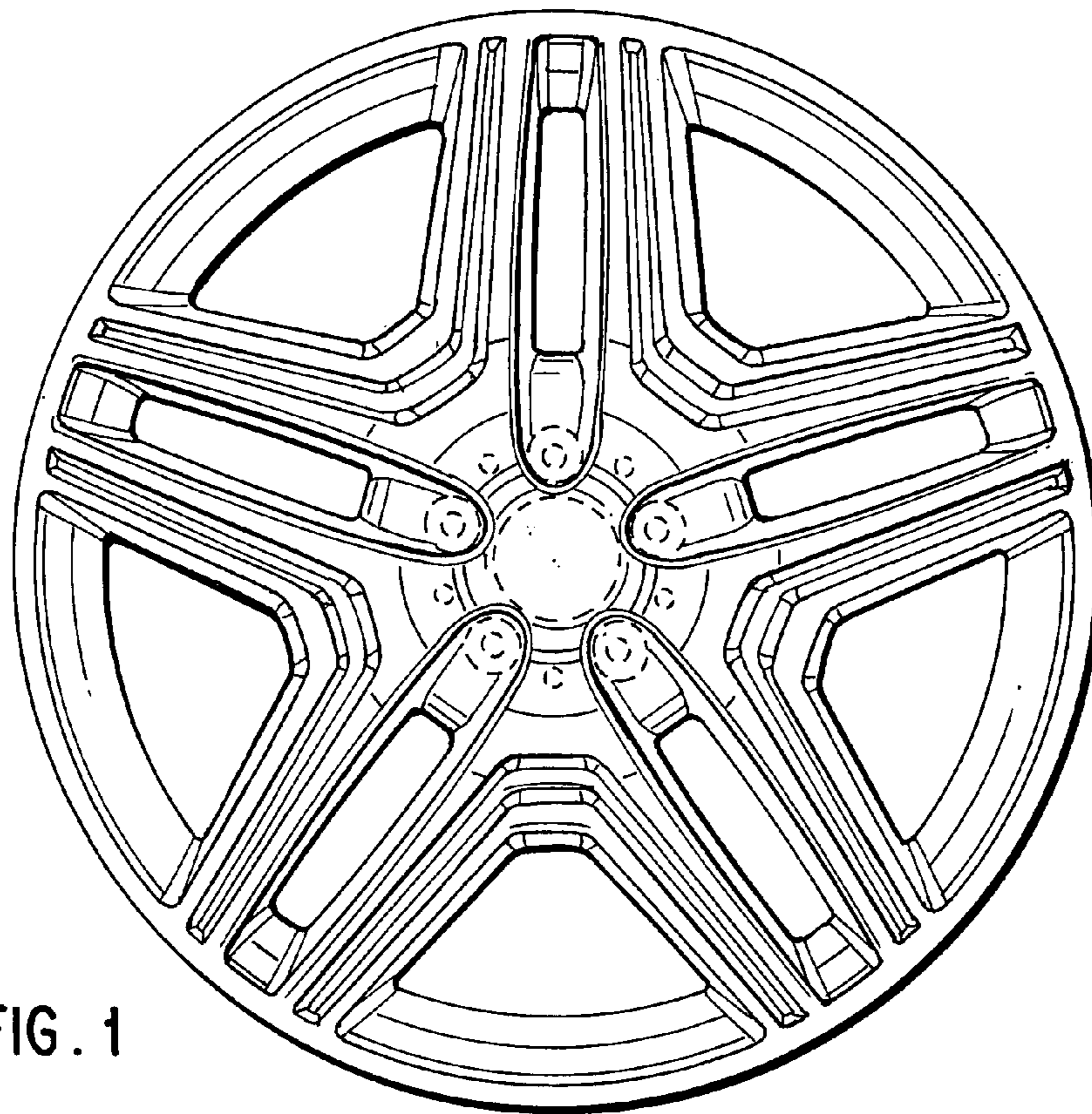


FIG. 1

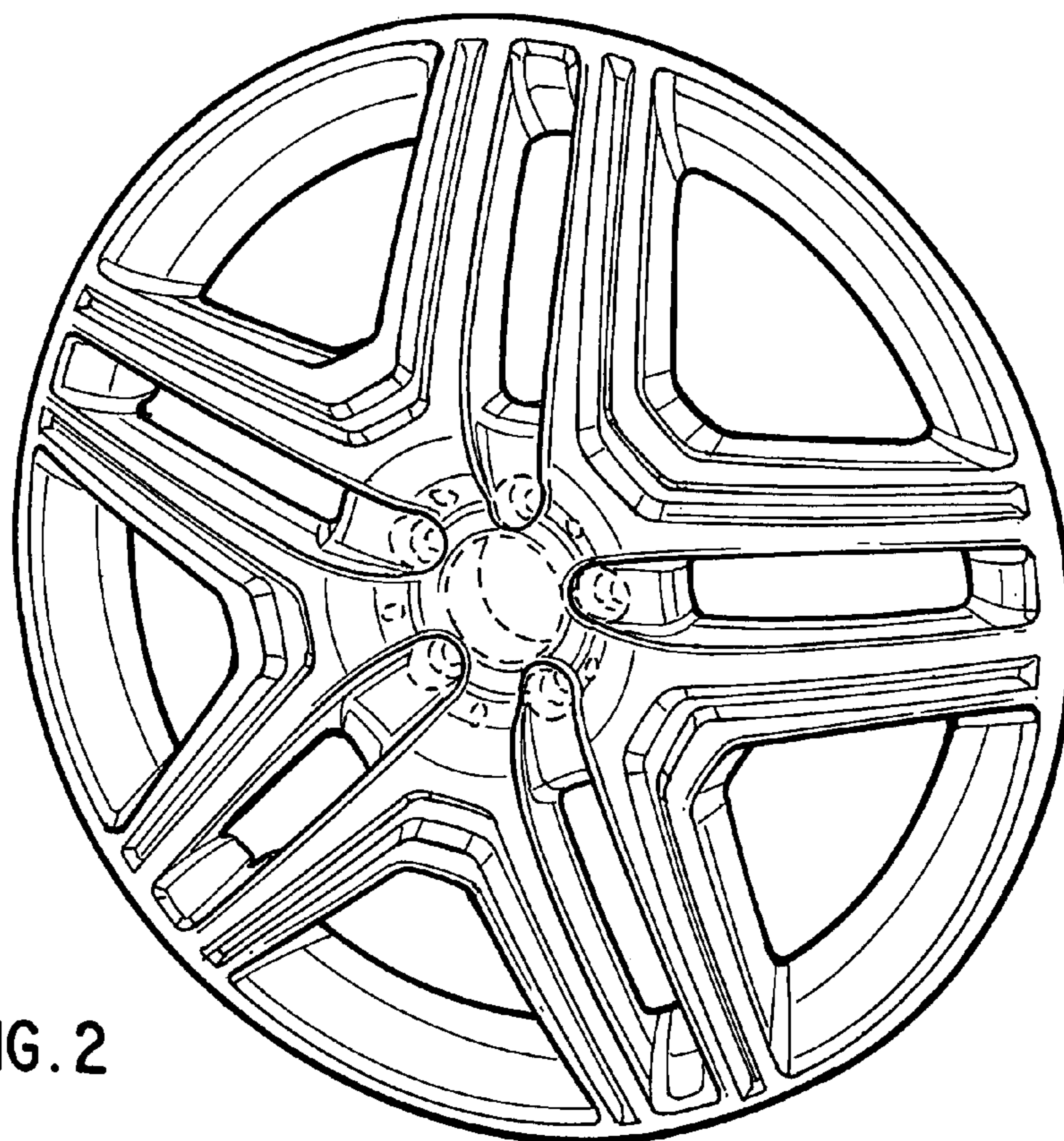


FIG. 2

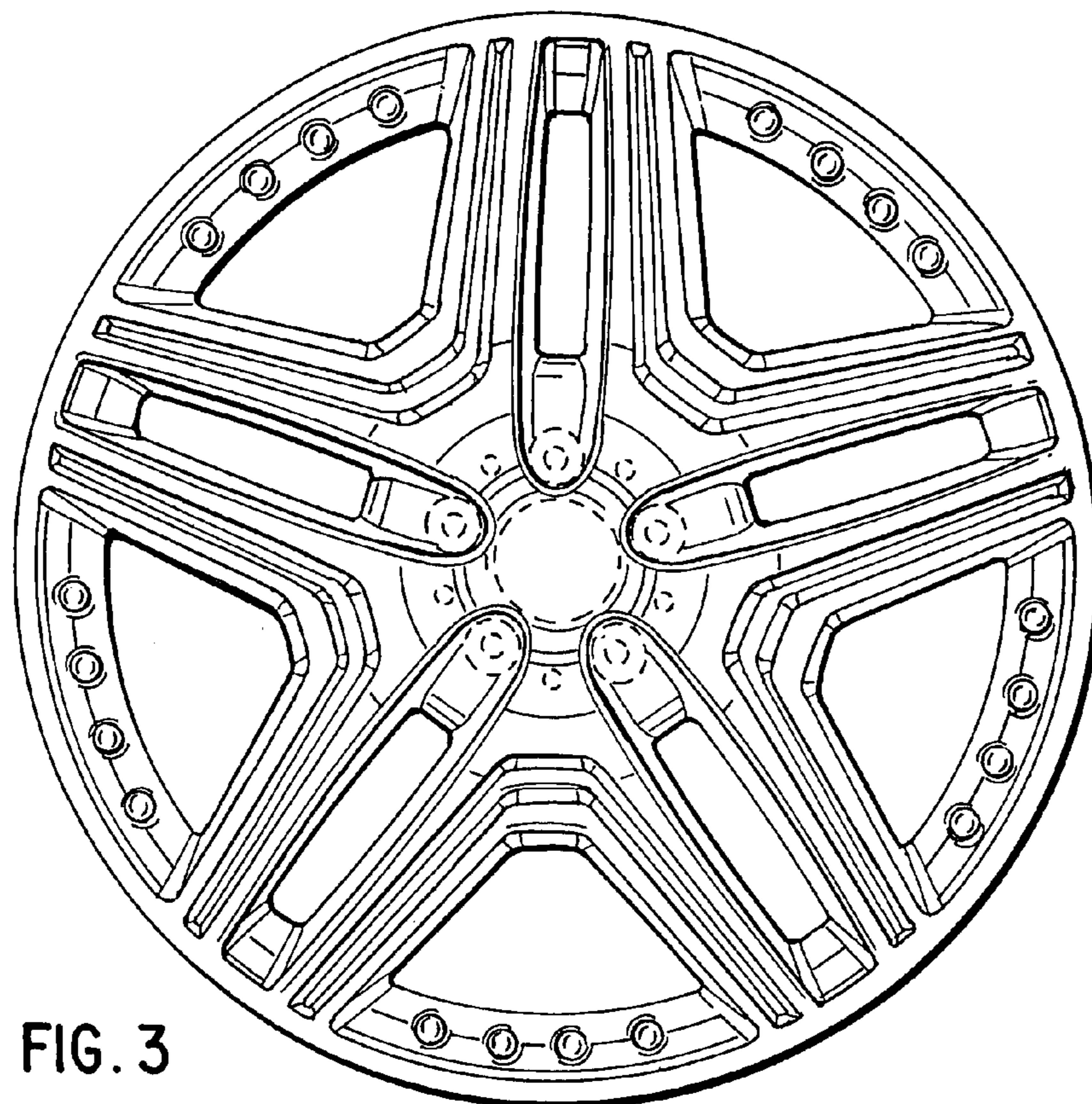


FIG. 3

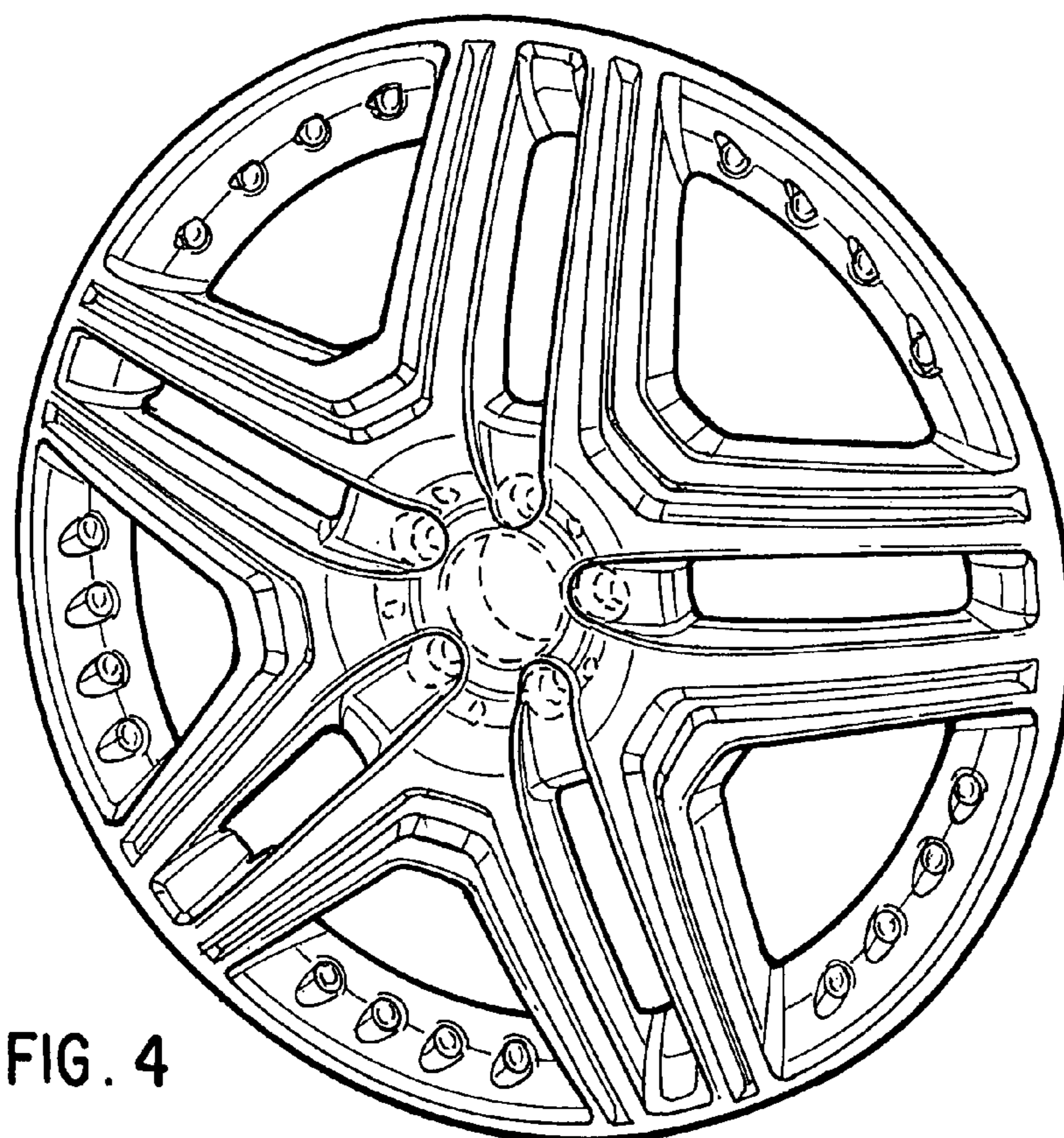


FIG. 4