



US00D569772S

(12) **United States Design Patent** (10) **Patent No.:** **US D569,772 S**
Saridakis et al. (45) **Date of Patent:** **** May 27, 2008**

(54) **VEHICLE GRILLE**

Ford, Mustang, Autoweek, Dec. 18, 2006.

(75) Inventors: **George Saridakis**, Ann Arbor, MI (US); **Douglas Gaffka**, Northville, MI (US); **Robert Jensen**, Canton, MI (US)

* cited by examiner

Primary Examiner—Melody N. Brown
(74) *Attorney, Agent, or Firm*—Damian Porcari

(73) Assignee: **Ford Motor Company**, Dearborn, MI (US)

(57) **CLAIM**

(**) Term: **14 Years**

The ornamental design for a vehicle grille, as shown and described.

(21) Appl. No.: **29/279,101**

(22) Filed: **Apr. 19, 2007**

DESCRIPTION

(51) **LOC (8) Cl.** **12-16**

FIG. 1 is a front view of a vehicle grille (as viewed from the front of a vehicle);

(52) **U.S. Cl.** **D12/163**

FIG. 2 is an enlarged right side view of the vehicle grille;

(58) **Field of Classification Search** D12/163,

FIG. 3 is an enlarged left side view of the vehicle grille;

D12/171, 90–92, 216, 169, 196; 180/68.1,

FIG. 4 is a top plan view of a vehicle grille;

180/68.6; 296/193.11; 293/102, 113, 115

FIG. 5 is a bottom plan view of the vehicle grille; and,

See application file for complete search history.

FIG. 6 is a rear view of a vehicle grille.

(56) **References Cited**

U.S. PATENT DOCUMENTS

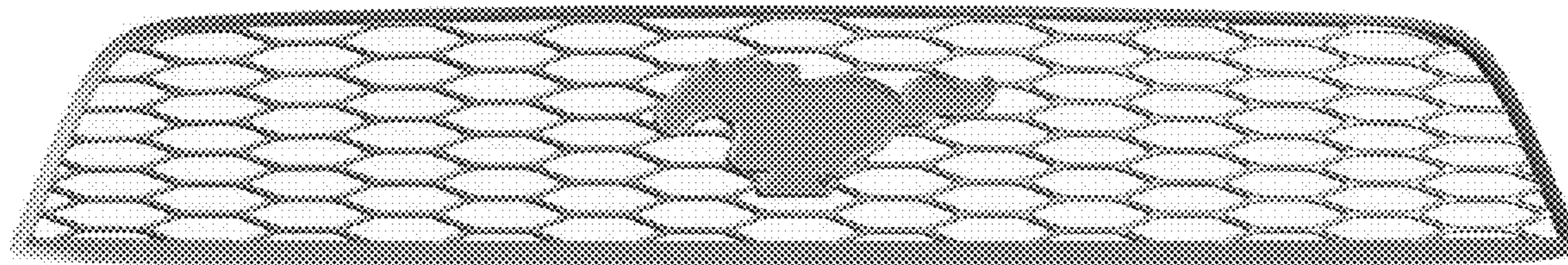
D447,100 S	*	8/2001	An	D12/163
D491,117 S	*	6/2004	Hayashi	D12/163
D491,118 S	*	6/2004	Matsumoto et al.	D12/163
D492,226 S	*	6/2004	Kato	D12/163
D497,333 S	*	10/2004	Elwell et al.	D12/163
D533,484 S	*	12/2006	Behmer et al.	D12/163
D535,223 S		1/2007	Gaffka		
D537,019 S	*	2/2007	Pfeiffer	D12/163
D539,194 S	*	3/2007	Moses	D12/163
D546,247 S	*	7/2007	Abbett	D12/163
D555,052 S	*	11/2007	Suzuki et al.	D12/163

OTHER PUBLICATIONS

Ford, Mustang GT Convertible, Detroit 2005.
Ford, Concept Stang, Los Angeles 2006.
Ford, Mustang Shelby GT500, Detroit 2007, publication date is prior to filing date of Apr. 19, 2007.

The vehicle grille is styled independently of adjacent vehicle panels. To the extent that any feature lines are illustrated, they are intended to illustrate the crest and valley of the feature and are not necessarily sharp bends in the part. Shading is used to illustrate the curvature of the part and not color. Areas shown in or sounded by broken lines are not claimed. The surface normally visible when the vehicle grille is attached to a vehicle is called the "Class A" surface and is claimed. The surface not normally visible when the vehicle grille is attached to a vehicle is called the "Class B" surface and is not claimed. Some views illustrate both Class A and Class B surfaces. Any functional features of the vehicle grille are not claimed. Views are orthogonal projections unless otherwise noted. The various views are not necessarily to scale in order to better illustrate the design.

1 Claim, 6 Drawing Sheets



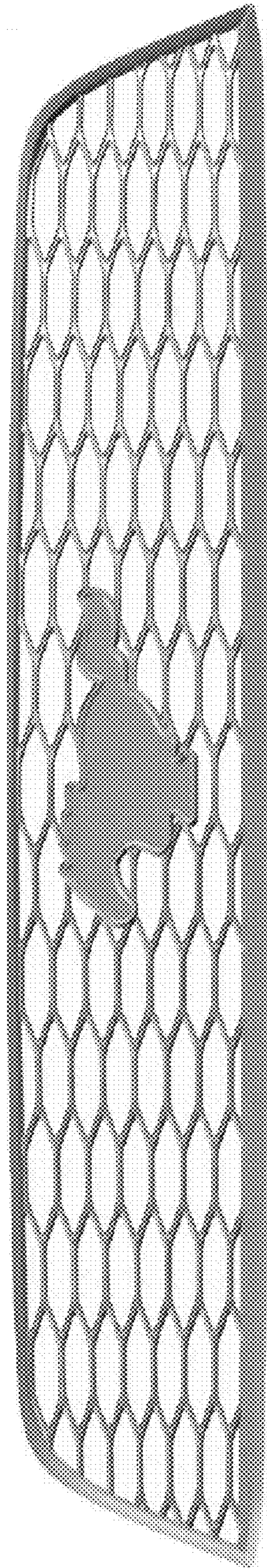


Figure 1

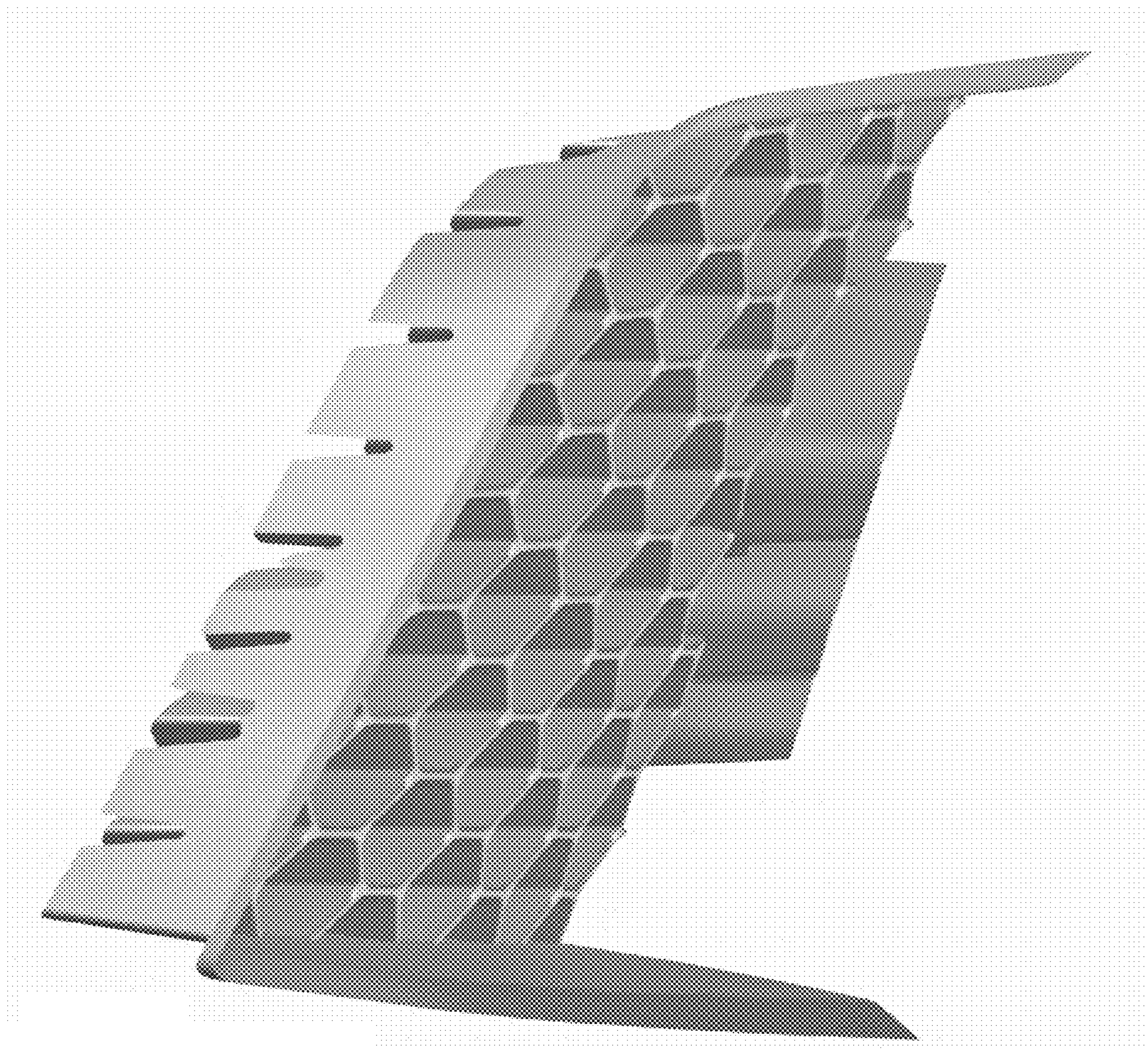


Figure 2

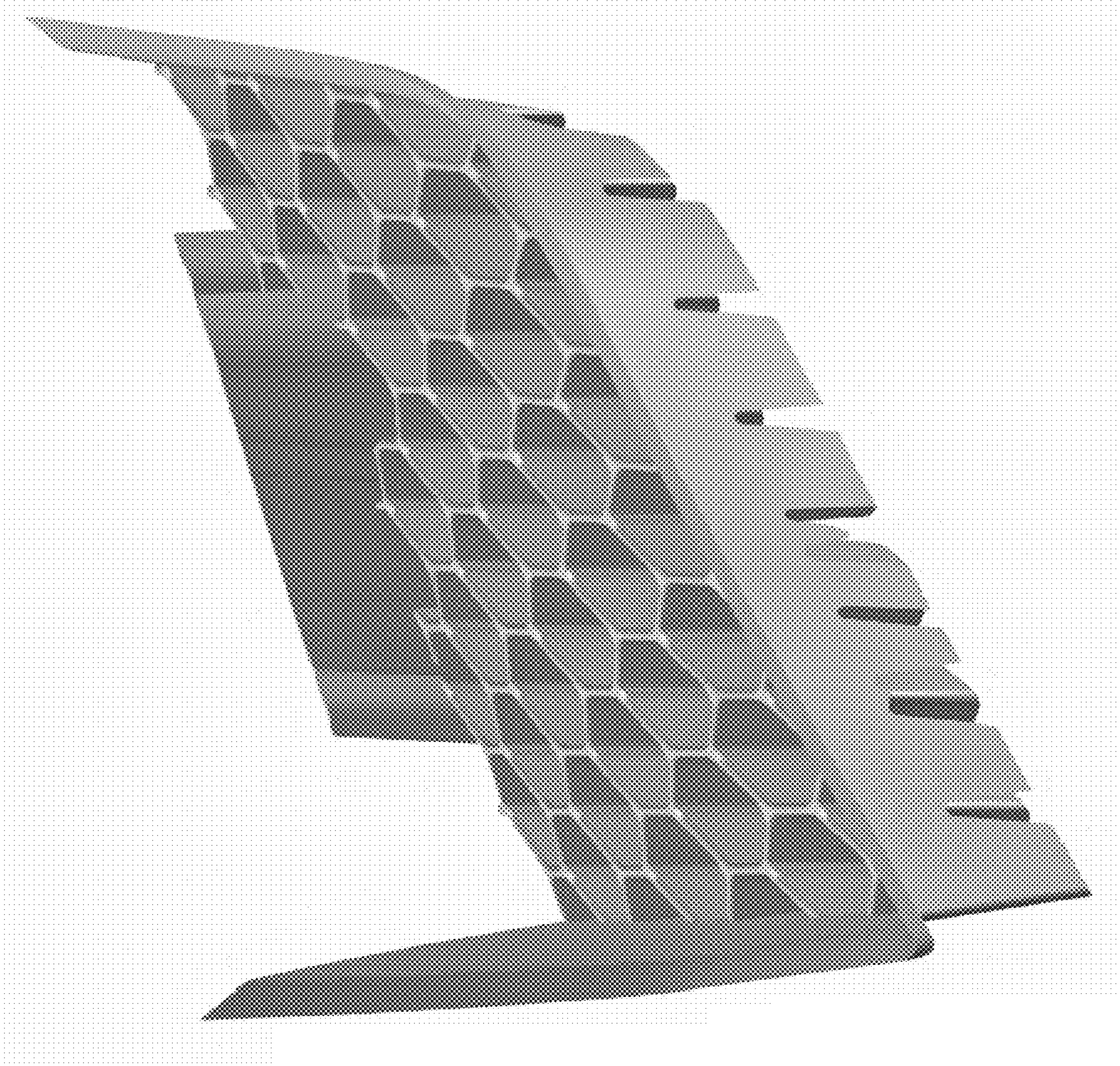


Figure 3

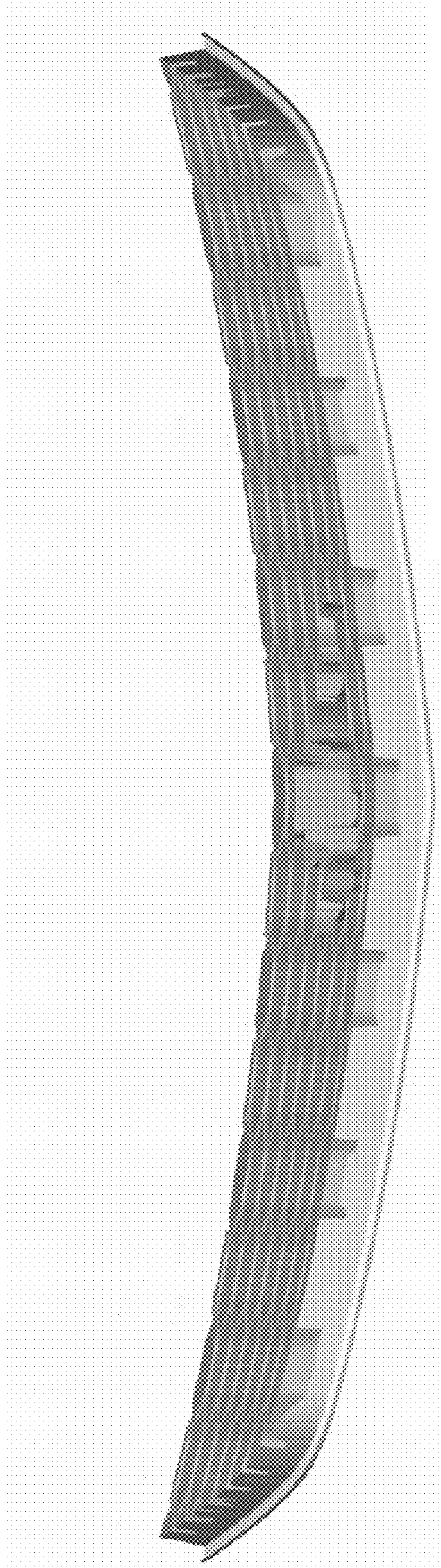


Figure 4

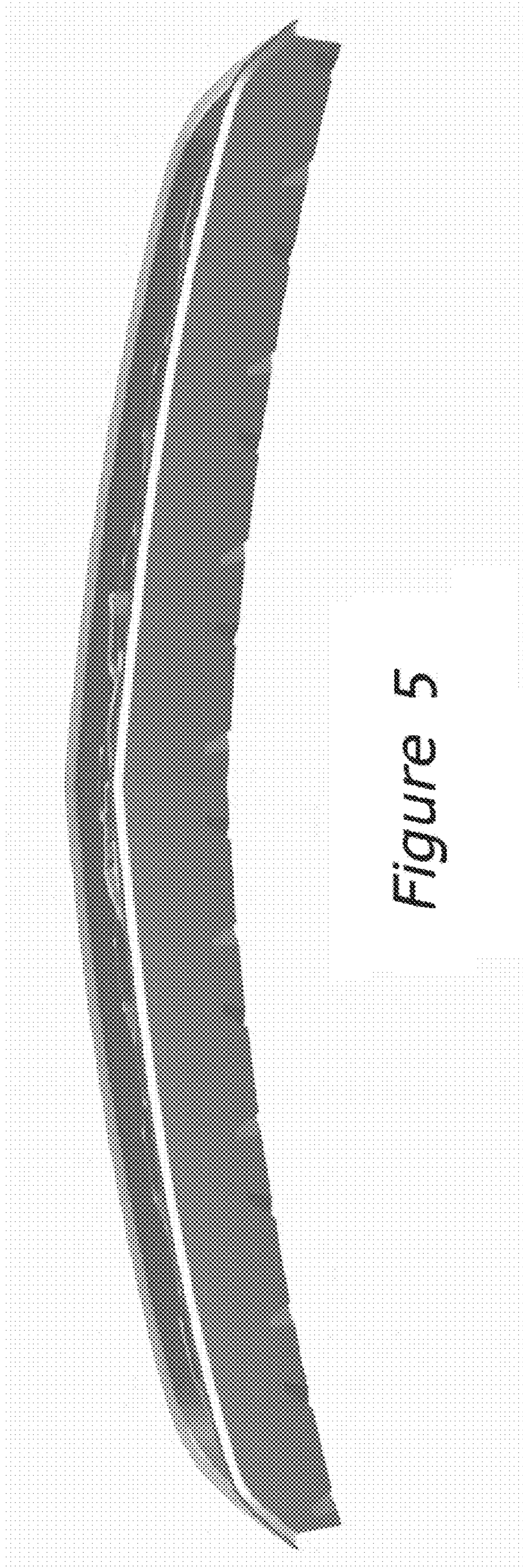


Figure 5

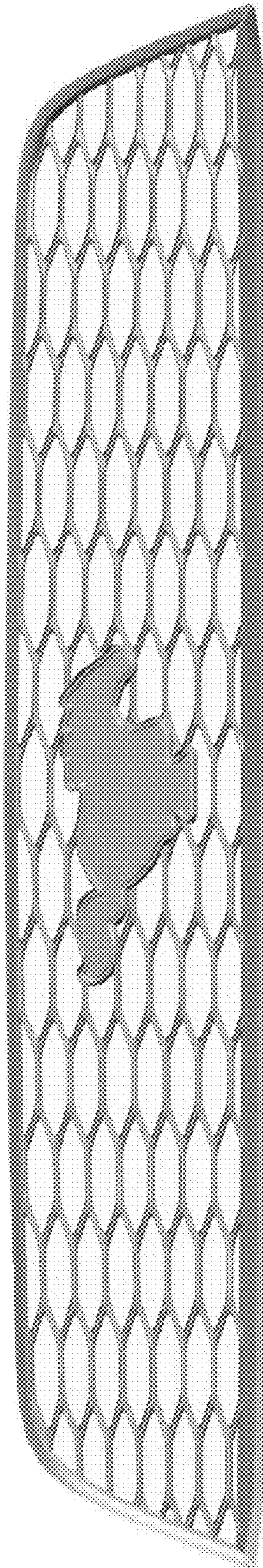


Figure 6