

US00D569769S

(12) **United States Design Patent**
Chiu et al.

(10) **Patent No.:** **US D569,769 S**

(45) **Date of Patent:** **** May 27, 2008**

(54) **ELECTRIC WHEEL CHAIR**

(75) Inventors: **Chi-Hsien Chiu**, Kaohsiung (TW);
Cheng-Pin Weng, Kaohsiung (TW)

(73) Assignee: **Kwang Yang Motor Co., Ltd.**,
Kaohsiung (TW)

(**) Term: **14 Years**

(21) Appl. No.: **29/265,664**

(22) Filed: **Sep. 6, 2006**

(51) **LOC (8) Cl.** **12-12**

(52) **U.S. Cl.** **D12/131**

(58) **Field of Classification Search** D12/128-133;
296/65.03, 65.04; 224/409; 297/DIG. 4;
280/62, 647-650, 29, 200, 47.38, 250.1,
280/259, 642, 658

See application file for complete search history.

(56) **References Cited**

U.S. PATENT DOCUMENTS

D245,326	S	*	8/1977	Grippi, Jr.	D12/131
4,592,562	A	*	6/1986	Strautnieks et al.	280/250.1
4,805,712	A	*	2/1989	Singleton	180/65.1
5,156,226	A	*	10/1992	Boyer et al.	180/65.1
D356,530	S	*	3/1995	Bee et al.	D12/131
D357,653	S	*	4/1995	Kruse	D12/131
D397,645	S	*	9/1998	Schaffner	D12/131
D404,693	S	*	1/1999	Schaffner	D12/131
D413,554	S	*	9/1999	Schlangen	D12/131
5,996,716	A	*	12/1999	Montiglio et al.	180/65.5
6,129,165	A	*	10/2000	Schaffner et al.	180/65.1

6,152,478	A	*	11/2000	Hung	280/650
6,176,335	B1	*	1/2001	Schaffner et al.	180/65.1
D455,377	S	*	4/2002	Suiter	D12/131
6,923,278	B2	*	8/2005	Mulhern et al.	180/65.1
6,938,923	B2	*	9/2005	Mulhern et al.	280/755
7,021,641	B2	*	4/2006	Wu	280/250.1
7,104,346	B2	*	9/2006	Schaffner	180/65.1
7,219,912	B2	*	5/2007	Meyer	280/304.1
7,219,924	B2	*	5/2007	Mulhern et al.	280/755

* cited by examiner

Primary Examiner—Ian Simmons

Assistant Examiner—Charles D Hanson

(74) *Attorney, Agent, or Firm*—Frommer Lawrence & Haug
LLP; Ronald R. Santucci

(57) **CLAIM**

The ornamental design for electric wheel chair, as shown
and described.

DESCRIPTION

FIG. 1 is a perspective view of electric wheel chair showing
our new design;

FIG. 2 is a front elevational view thereof;

FIG. 3 is a rear elevational view thereof;

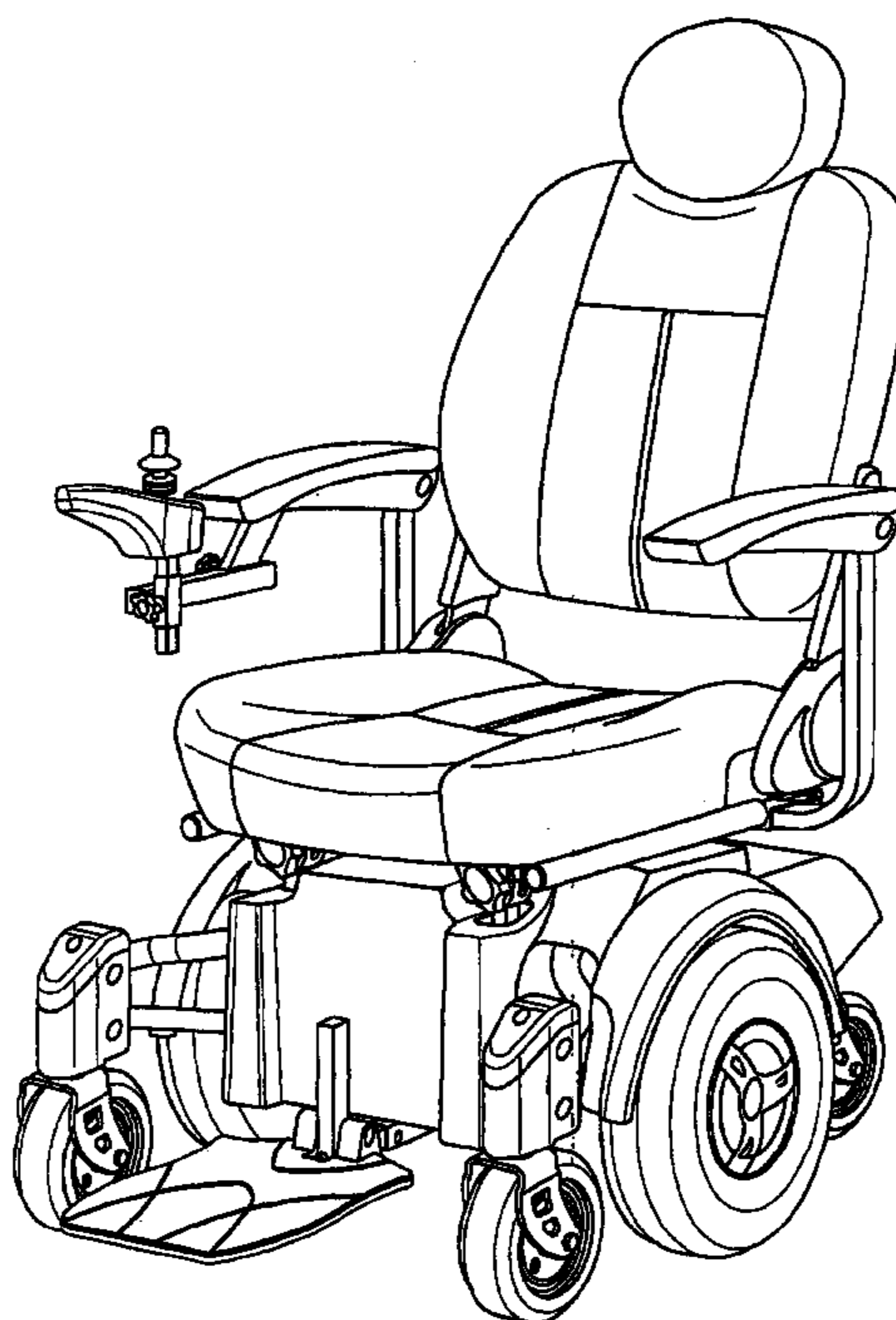
FIG. 4 is a left side elevational view thereof;

FIG. 5 is a right side elevational view thereof;

FIG. 6 is a top plan view thereof; and,

FIG. 7 is a bottom plan view thereof.

1 Claim, 7 Drawing Sheets



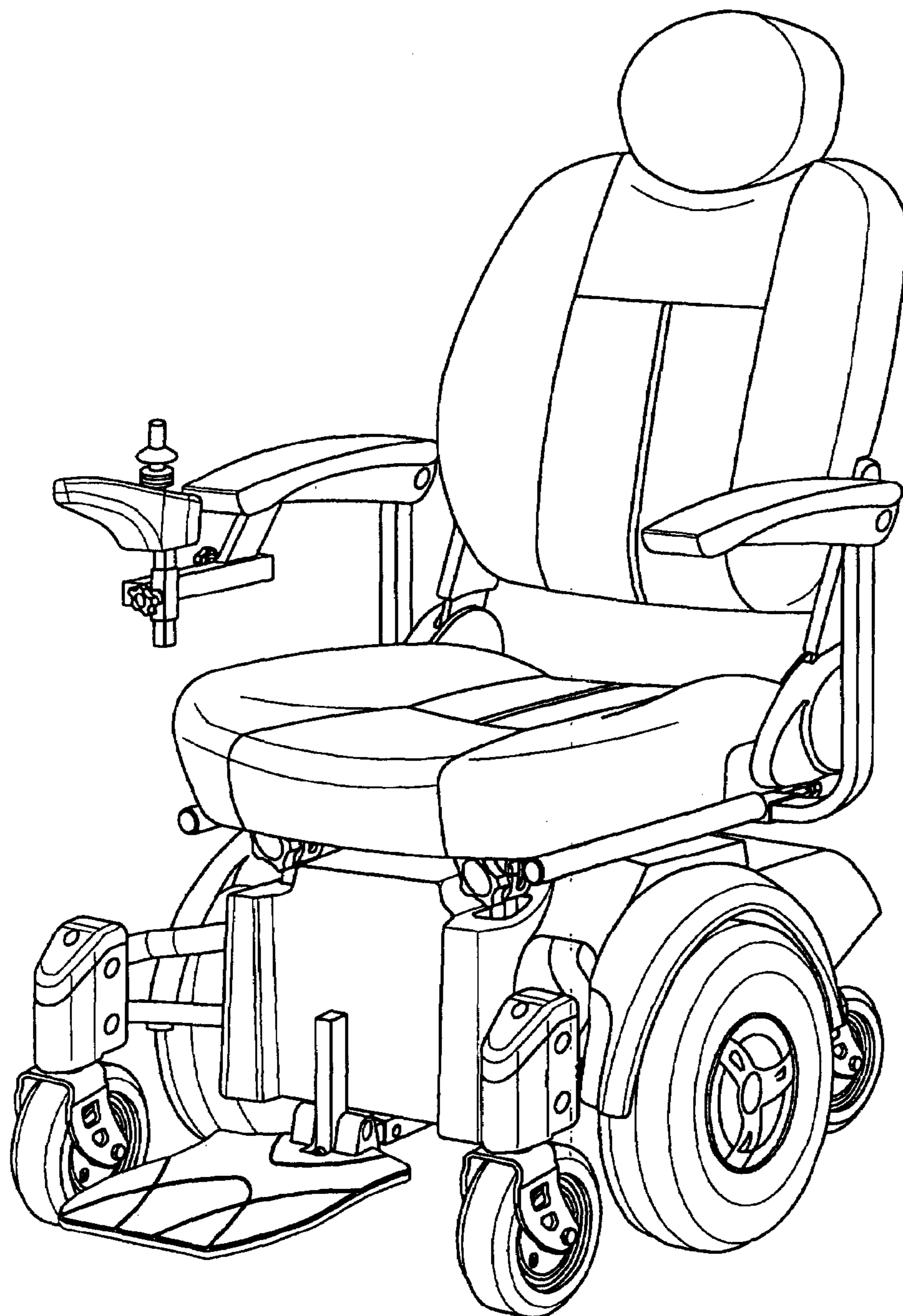


FIG. 1

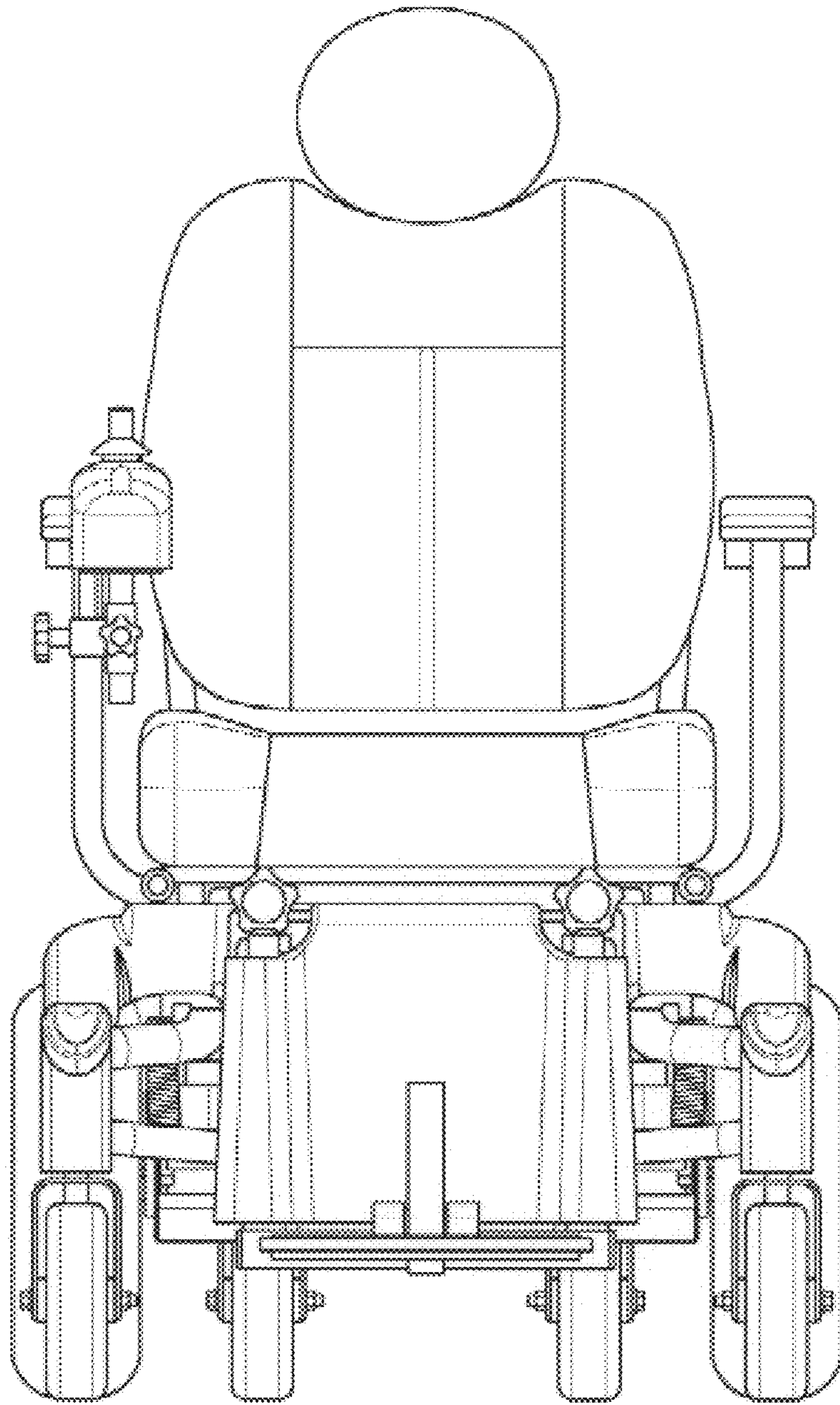


FIG. 2

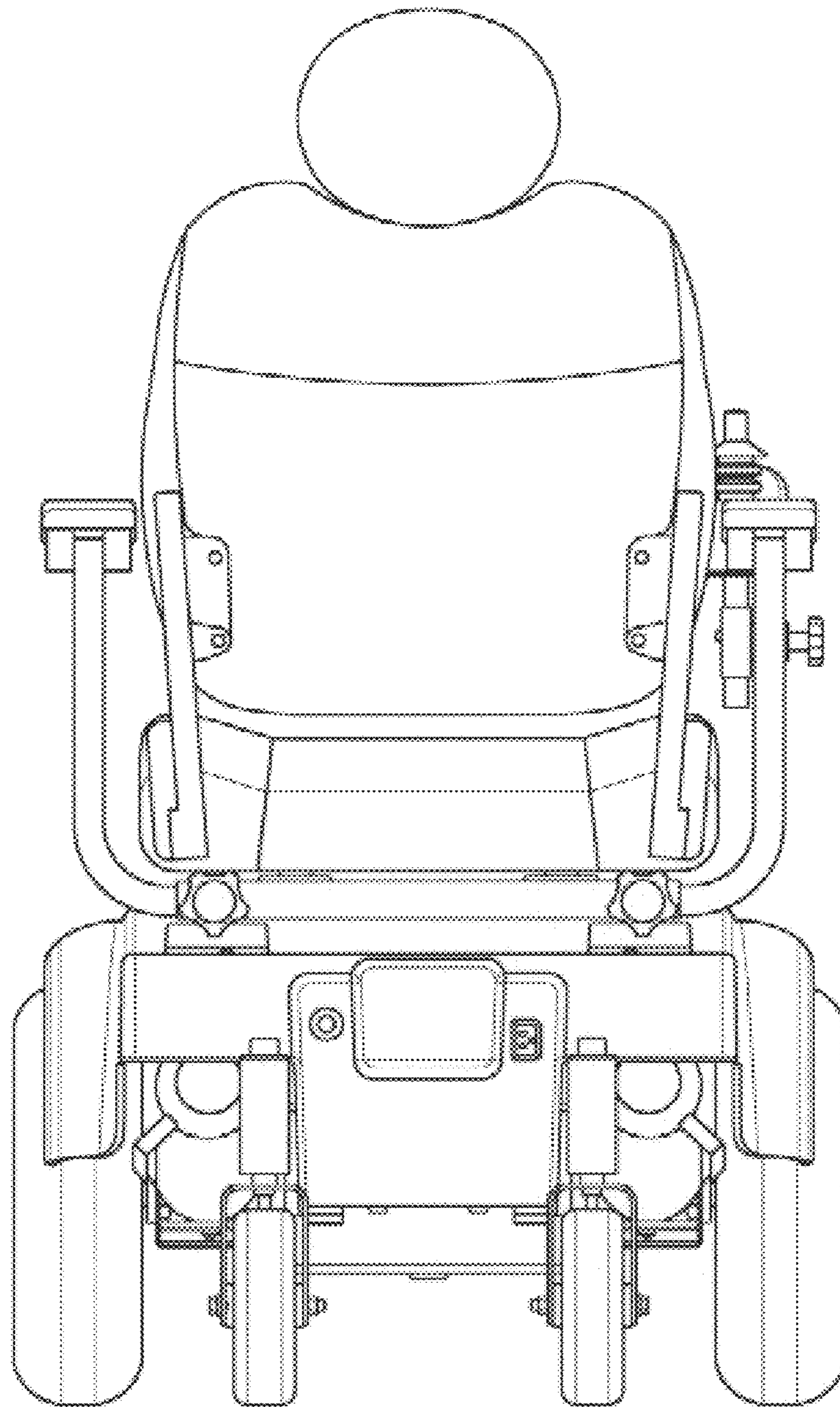


FIG. 3

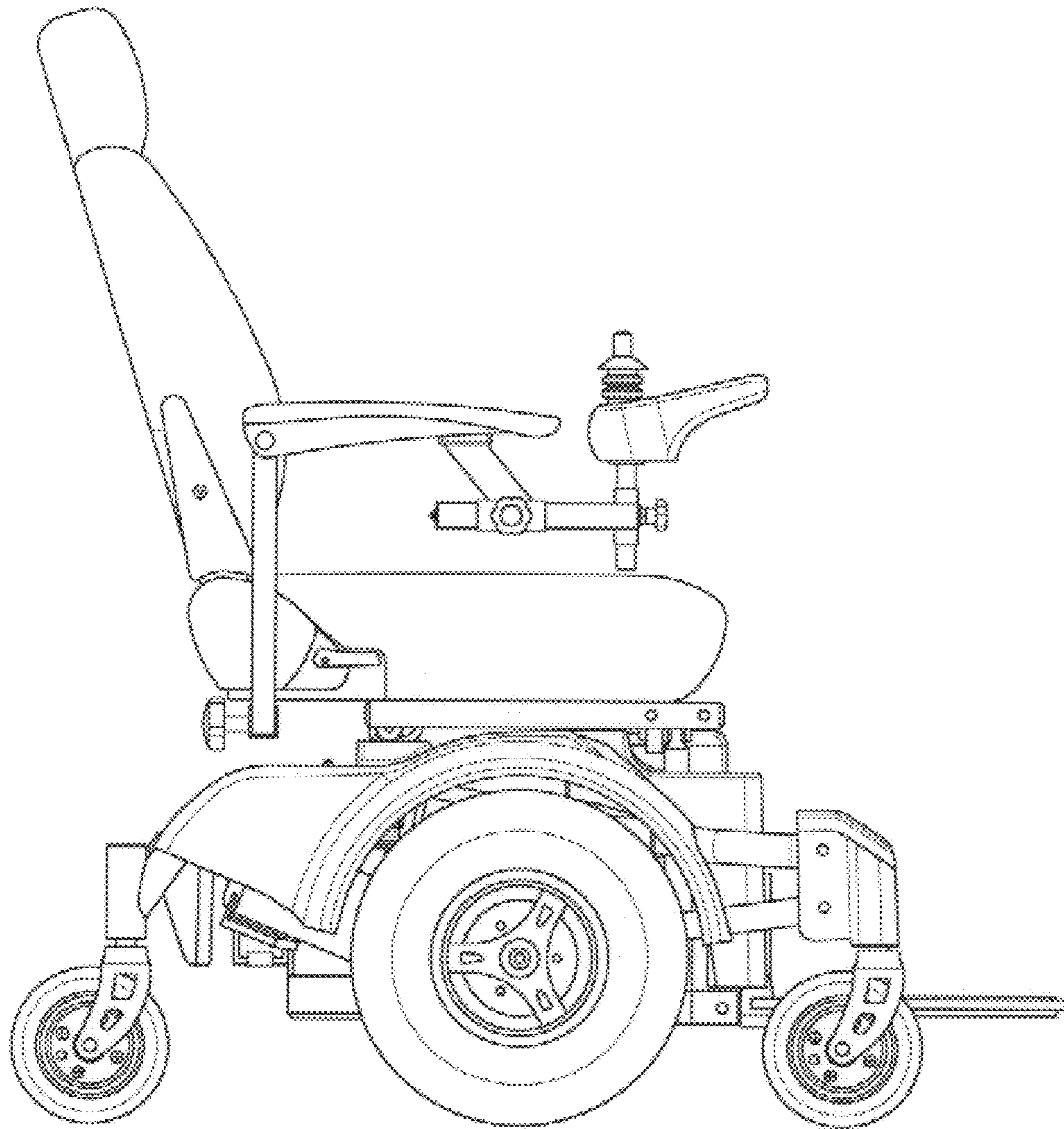


FIG. 4

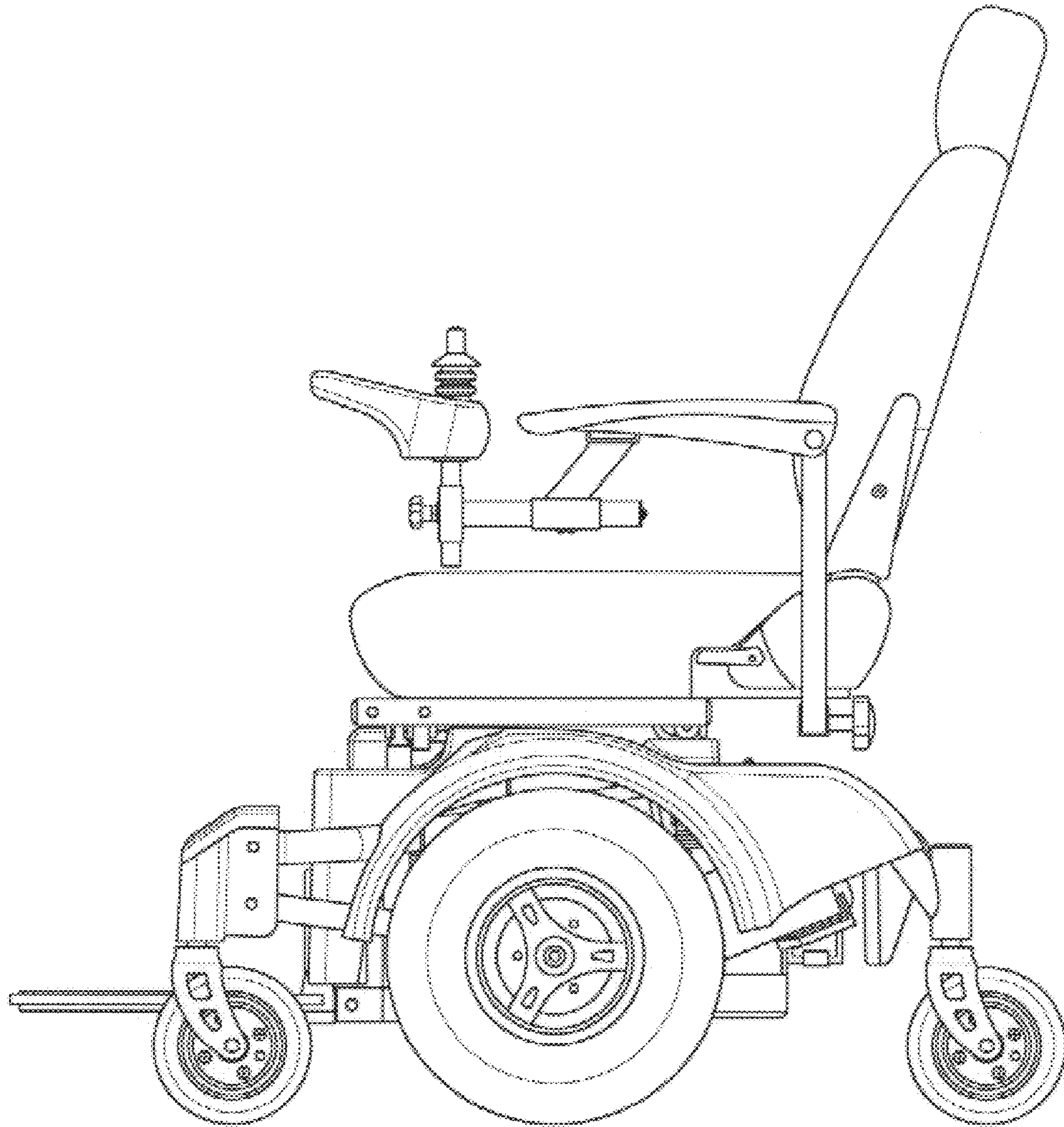


FIG. 5

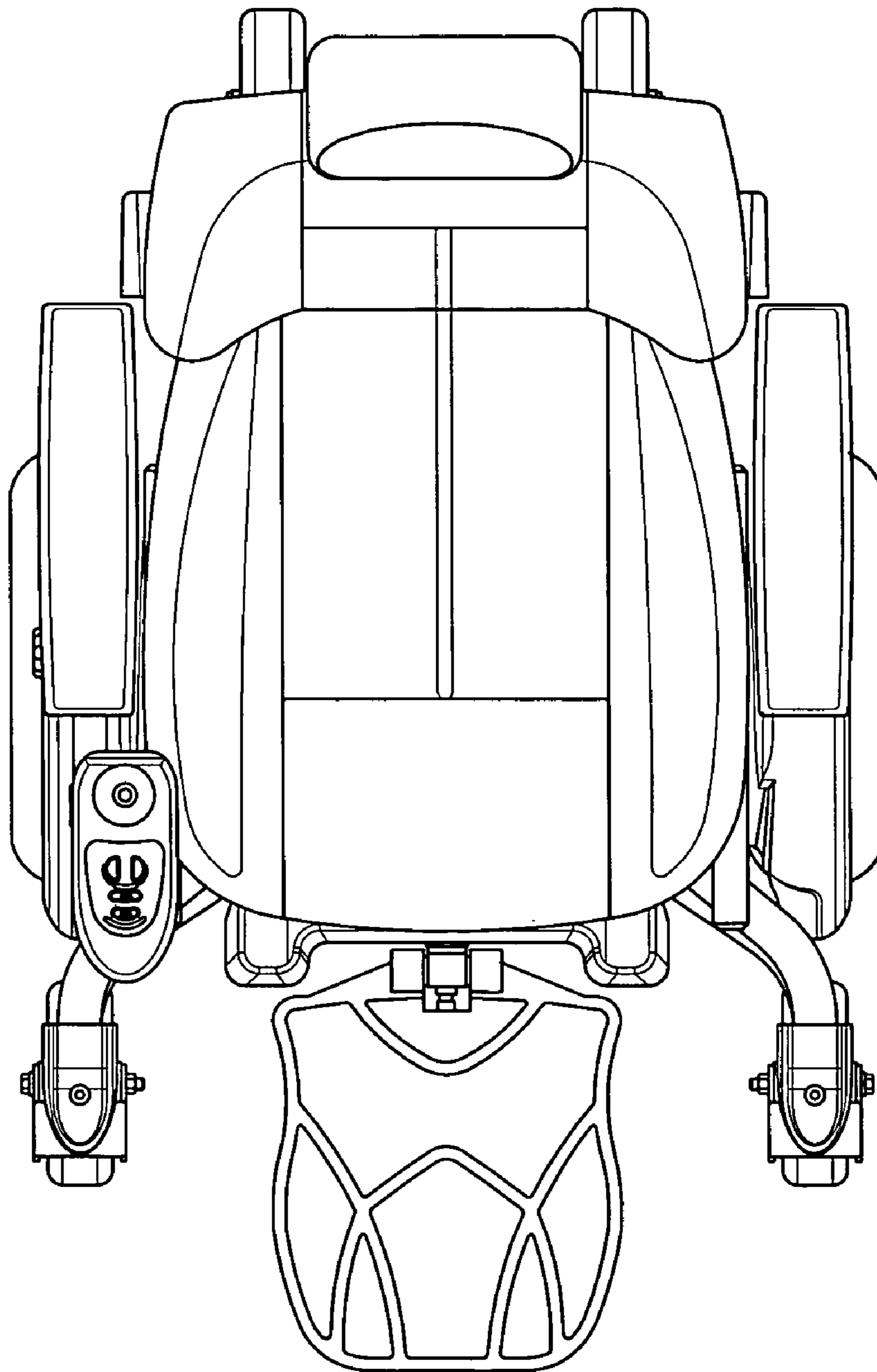


FIG. 6

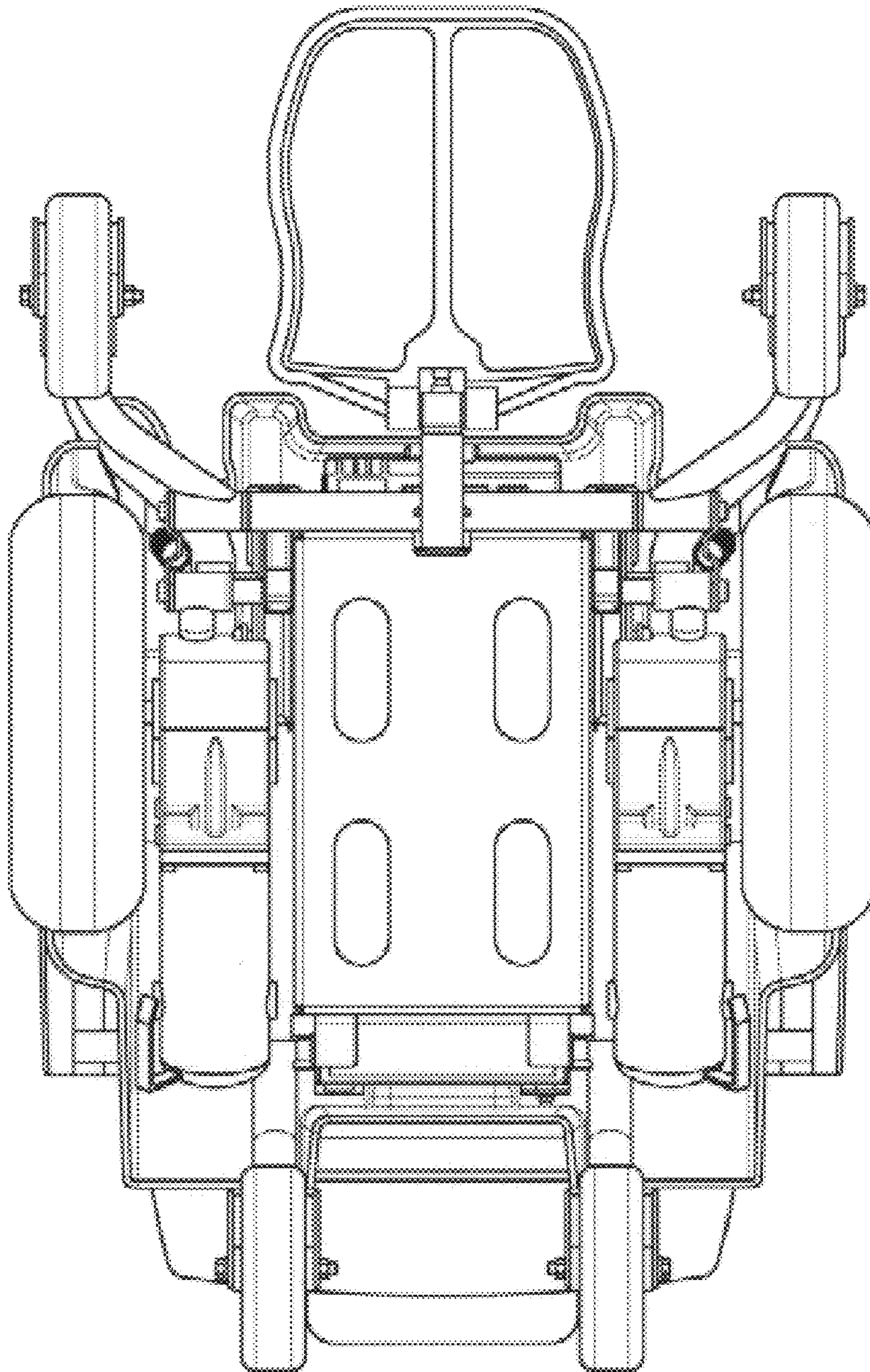


FIG. 7