



US00D569766S

(12) **United States Design Patent**  
**Cavness**

(10) **Patent No.:** **US D569,766 S**

(45) **Date of Patent:** **\*\* May 27, 2008**

(54) **ASCENDING ARROW SCULPTURE**

(75) Inventor: **John Arthur Cavness**, San Angelo, TX  
(US)

(73) Assignee: **O-I-C it Studios, LLC**, Lewisville, TX  
(US)

(\*\*) Term: **14 Years**

(21) Appl. No.: **29/255,899**

(22) Filed: **Mar. 13, 2006**

(51) **LOC (8) Cl.** ..... **11-02**

(52) **U.S. Cl.** ..... **D11/157**

(58) **Field of Classification Search** ..... D11/157,  
D11/158, 160, 163, 164, 162, 137, 131, 96,  
D11/81; D6/419; D99/25; D10/118; 428/3,  
428/7-16; 52/80.1, 81.6

See application file for complete search history.

(56) **References Cited**

**U.S. PATENT DOCUMENTS**

D190,997 S *	8/1961	O'Shea	.....	D11/137
D245,381 S *	8/1977	Lilley	.....	D6/419
D246,353 S *	11/1977	Elkaim	.....	D11/8
D246,398 S *	11/1977	Raulson	.....	D26/14
D264,565 S *	5/1982	Medeiros	.....	D10/109
D268,826 S *	5/1983	Carbajales Santa-Eulalia et al.	.....	D11/162
D272,427 S *	1/1984	Moyet	.....	D11/162
D318,819 S *	8/1991	Geydushek	.....	D11/81
D341,790 S *	11/1993	Wanek	.....	D10/118
D376,245 S *	12/1996	Brantley-Alcock	.....	D99/25
D401,883 S *	12/1998	Madhvani	.....	D11/81
D417,168 S *	11/1999	Hollingsworth	.....	D11/121
D472,184 S *	3/2003	Ben-Haim	.....	D11/157
D494,884 S *	8/2004	Steiner	.....	D11/96
D526,241 S *	8/2006	Cavness	.....	D11/157
D526,242 S *	8/2006	Cavness	.....	D11/157
D527,303 S *	8/2006	Cavness	.....	D11/157

D527,677 S *	9/2006	Cavness	.....	D11/157
D528,038 S *	9/2006	Cavness	.....	D11/157
D528,941 S *	9/2006	Cavness	.....	D11/157
D553,271 S *	10/2007	Huang	.....	D26/30

\* cited by examiner

*Primary Examiner*—Robert M. Spear

*Assistant Examiner*—George D Kirschbaum

(74) *Attorney, Agent, or Firm*—John G. Fischer; Storm LLP

(57) **CLAIM**

The ornamental design for ascending arrow sculpture, as shown and described.

**DESCRIPTION**

FIG. 1 is an front thereof;

FIG. 2 is plan view rotated 45° counter-clockwise from FIG. 1 thereof;

FIG. 3 is plan view rotated 45° counter-clockwise from FIG. 2 thereof;

FIG. 4 is plan view rotated 45° counter-clockwise from FIG. 3 thereof;

FIG. 5 is plan view rotated 45° counter-clockwise from FIG. 4 thereof;

FIG. 6 is plan view rotated 45° counter-clockwise from FIG. 5 thereof;

FIG. 7 is plan view rotated 45° counter-clockwise from FIG. 6 thereof;

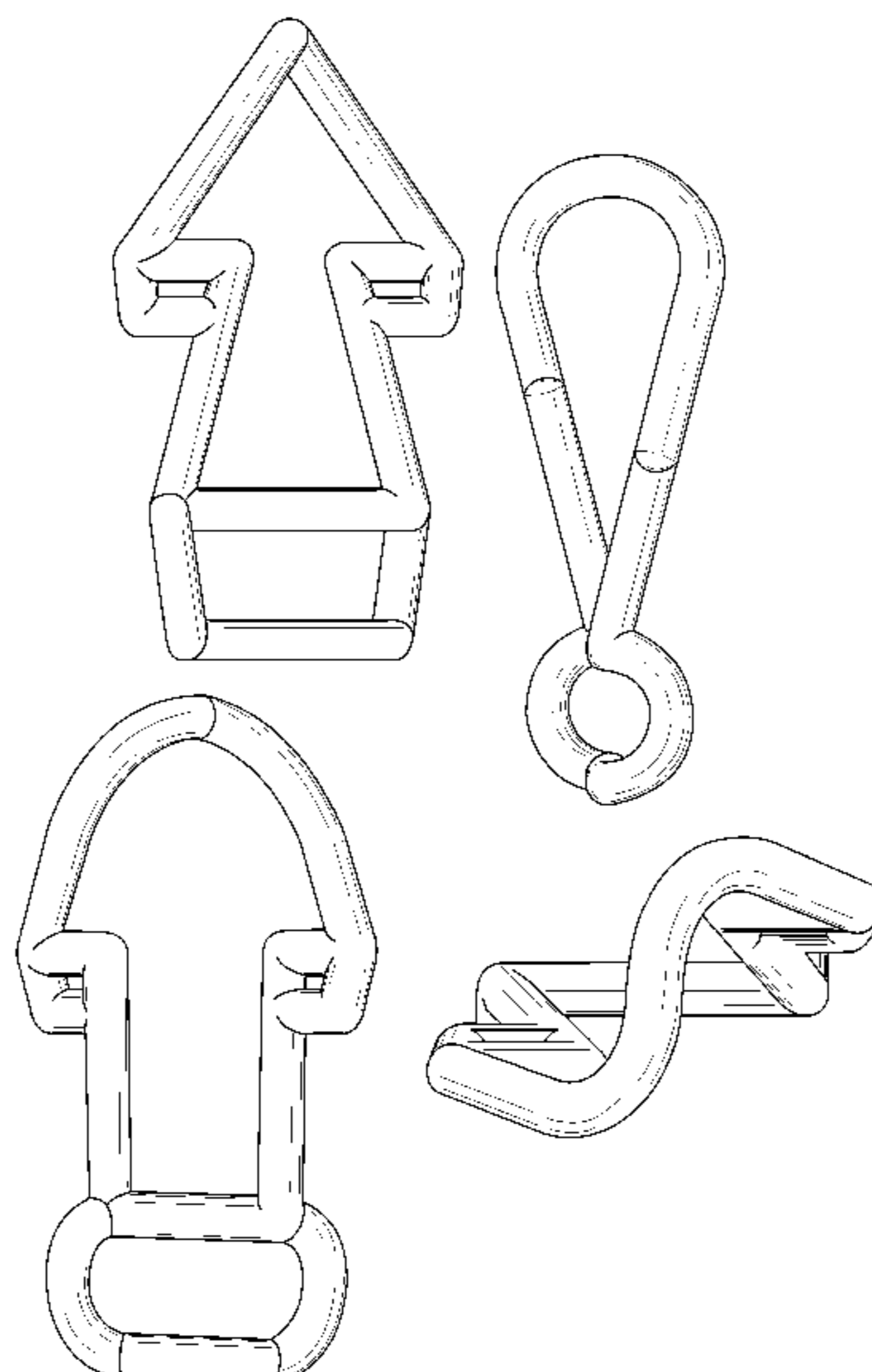
FIG. 8 is plan view rotated 45° counter-clockwise from FIG. 7 thereof;

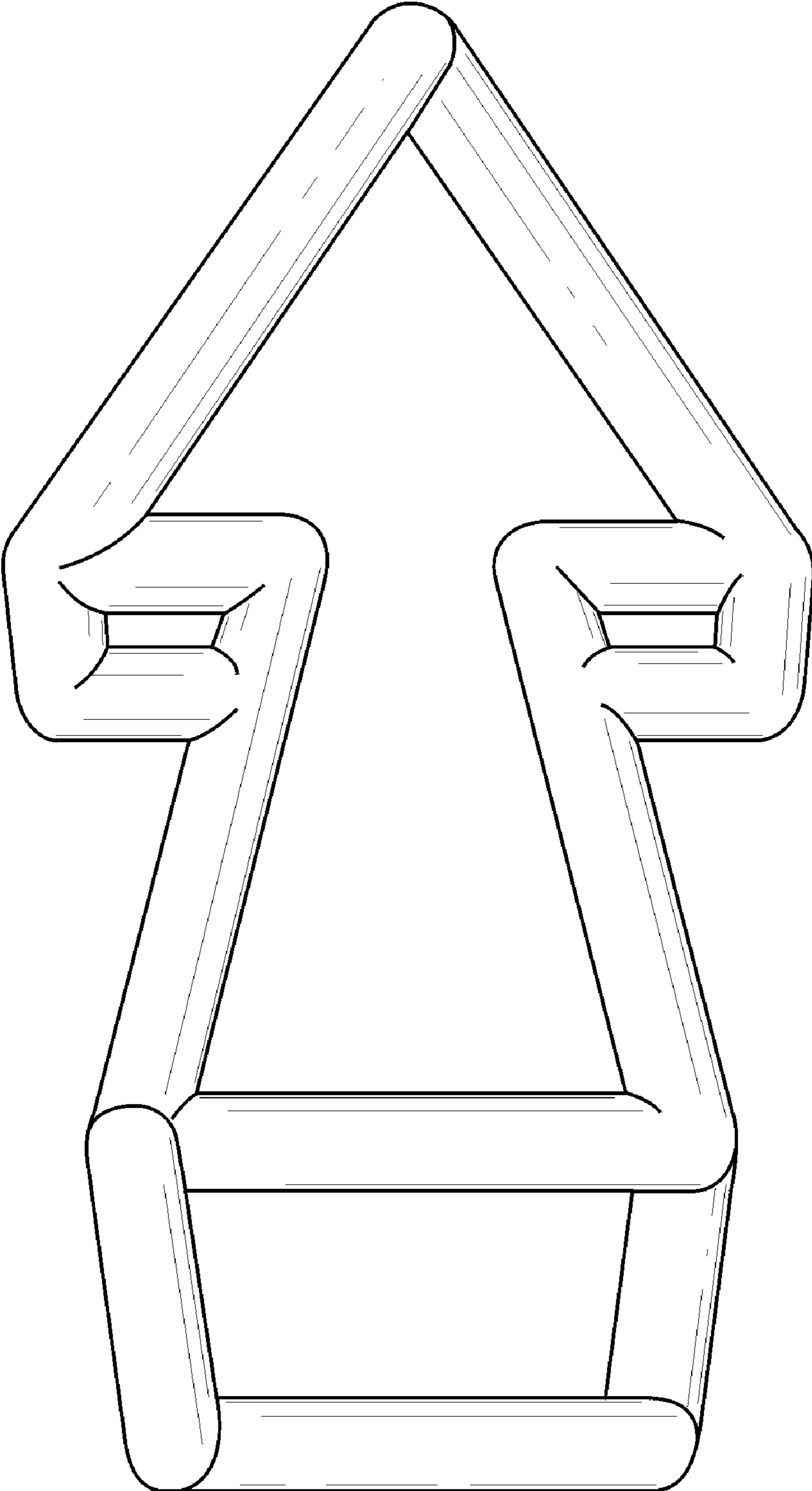
FIG. 9 is a top view thereof; and,

FIG. 10 is a bottom view thereof.

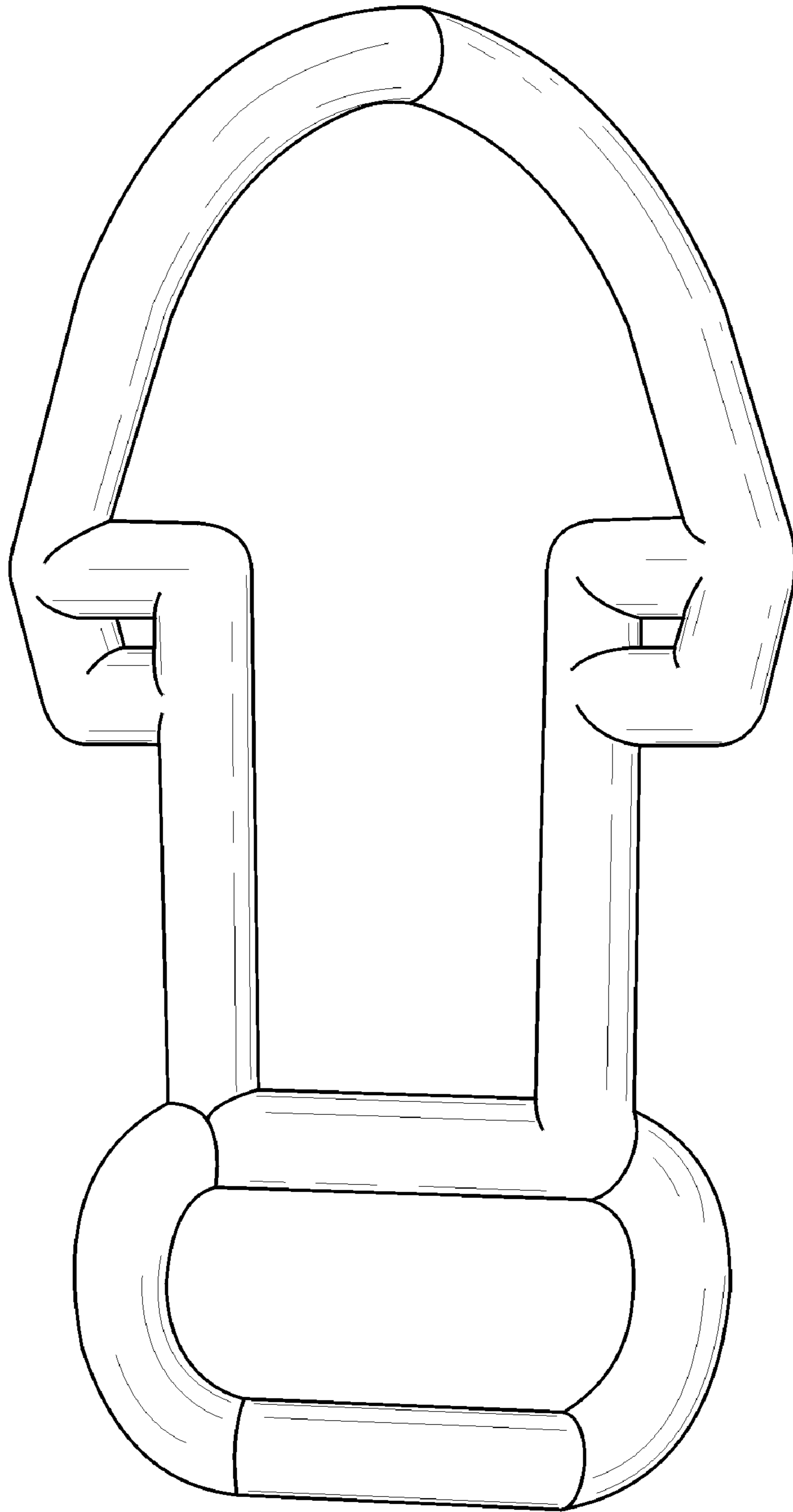
It will be understood that dashed lines presented in the drawings are for illustration only, and do not form part of the claimed design.

**1 Claim, 10 Drawing Sheets**

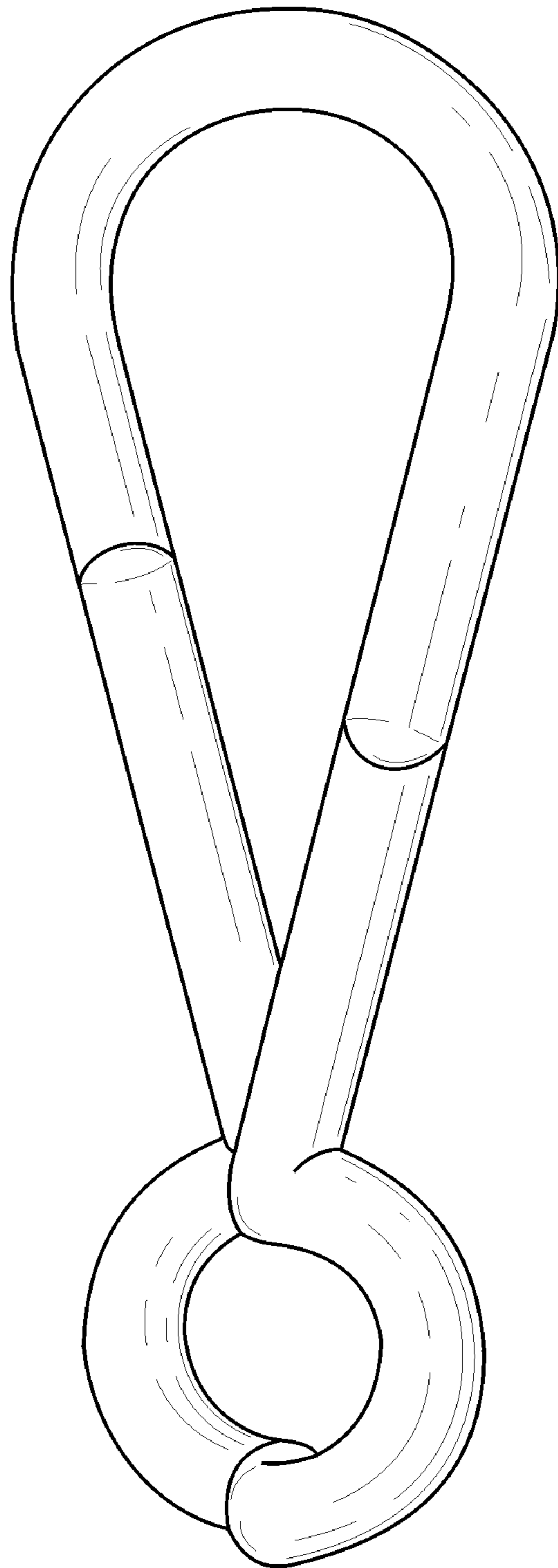




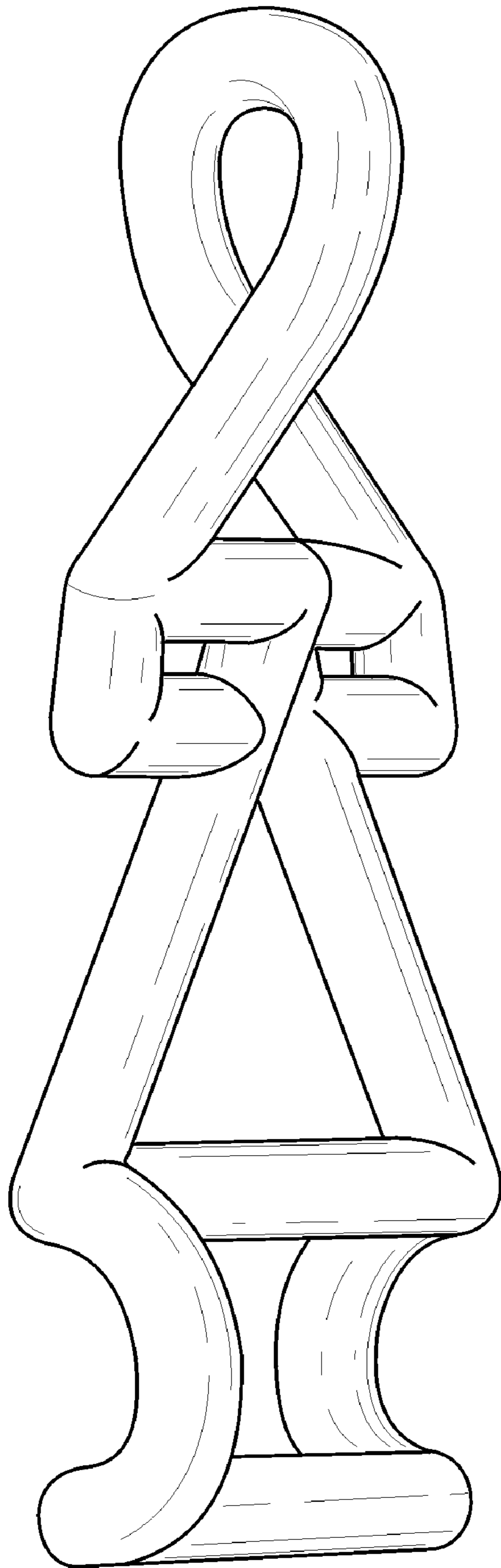
*FIG. 1*



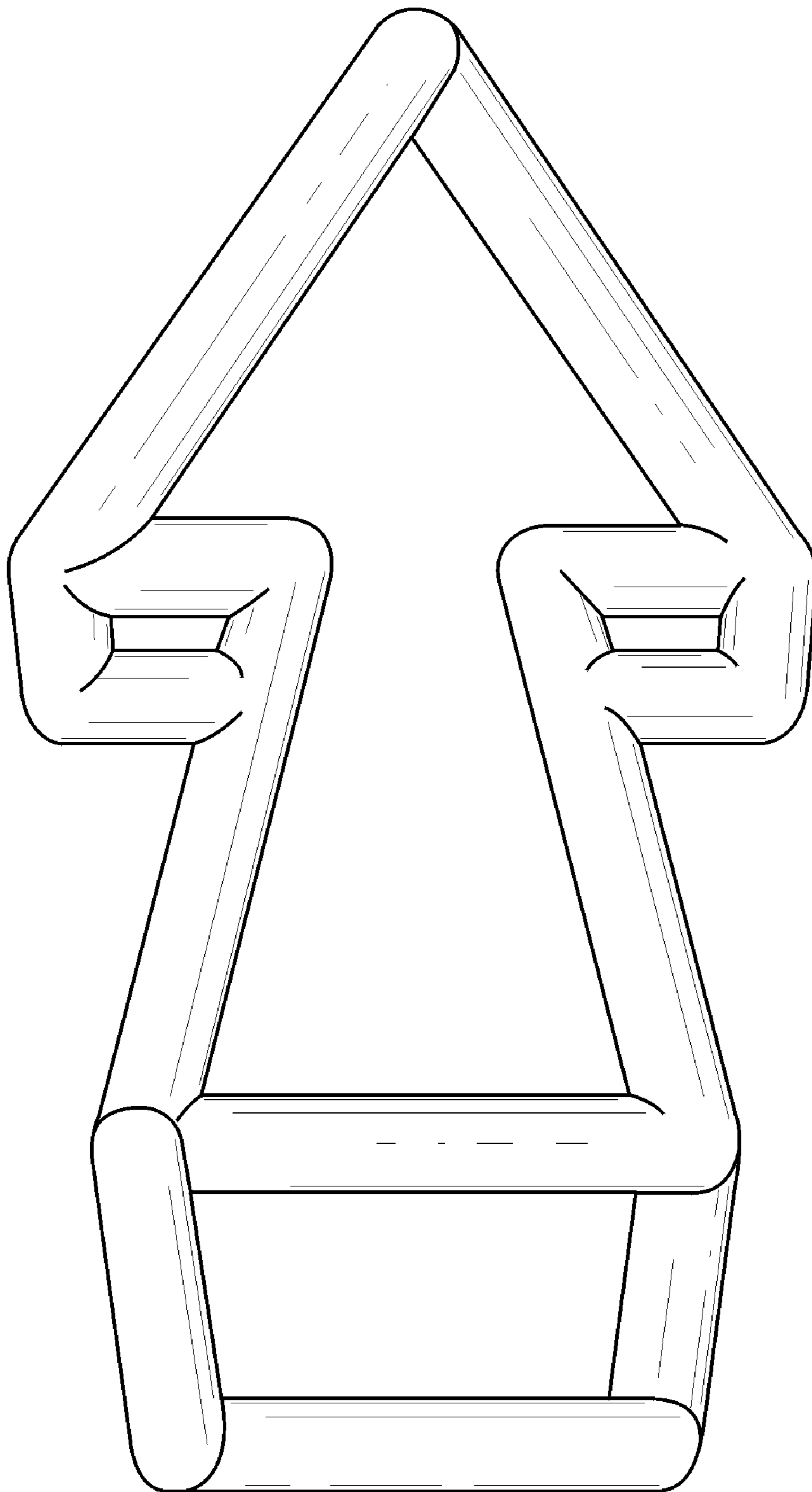
*FIG. 2*



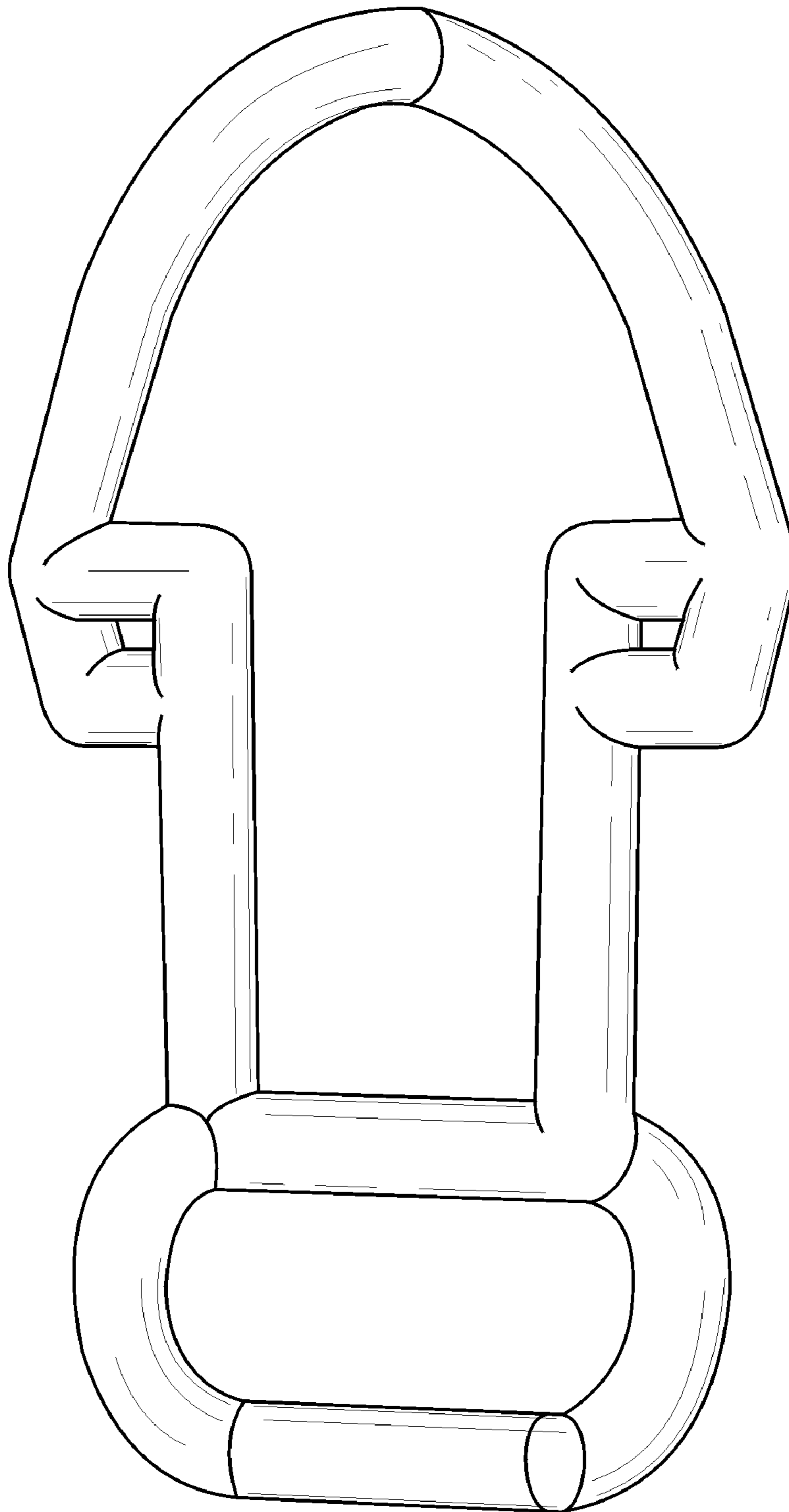
*FIG. 3*



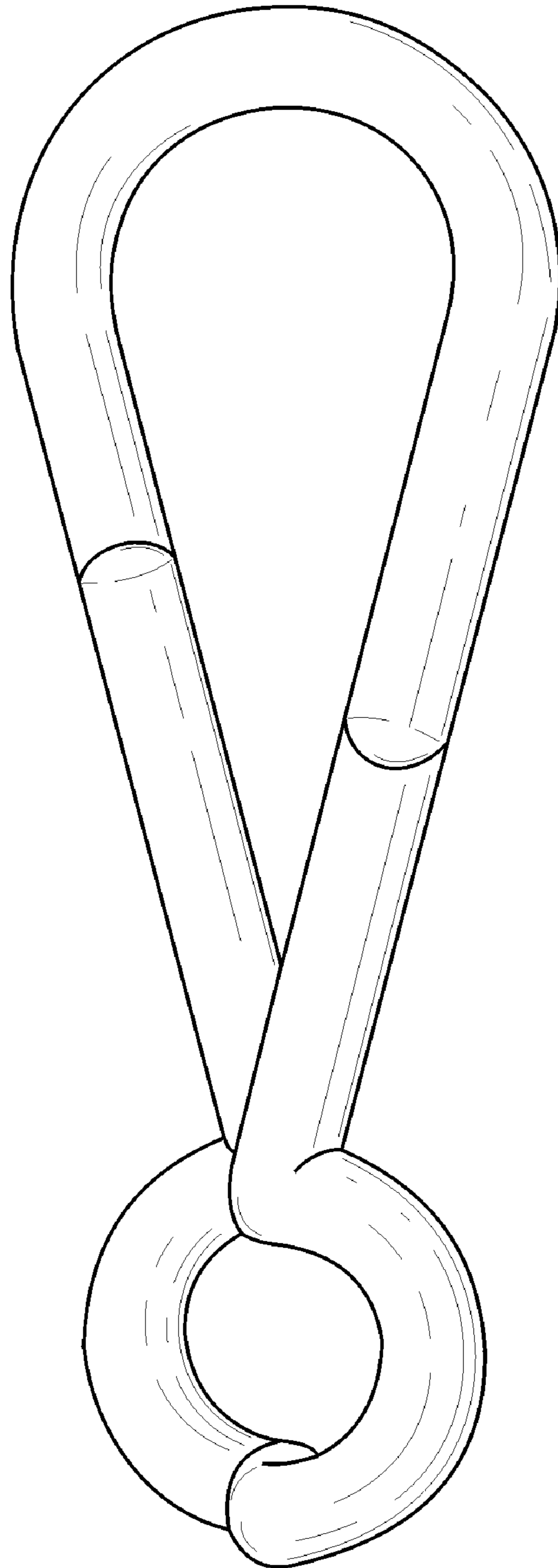
*FIG. 4*



*FIG. 5*

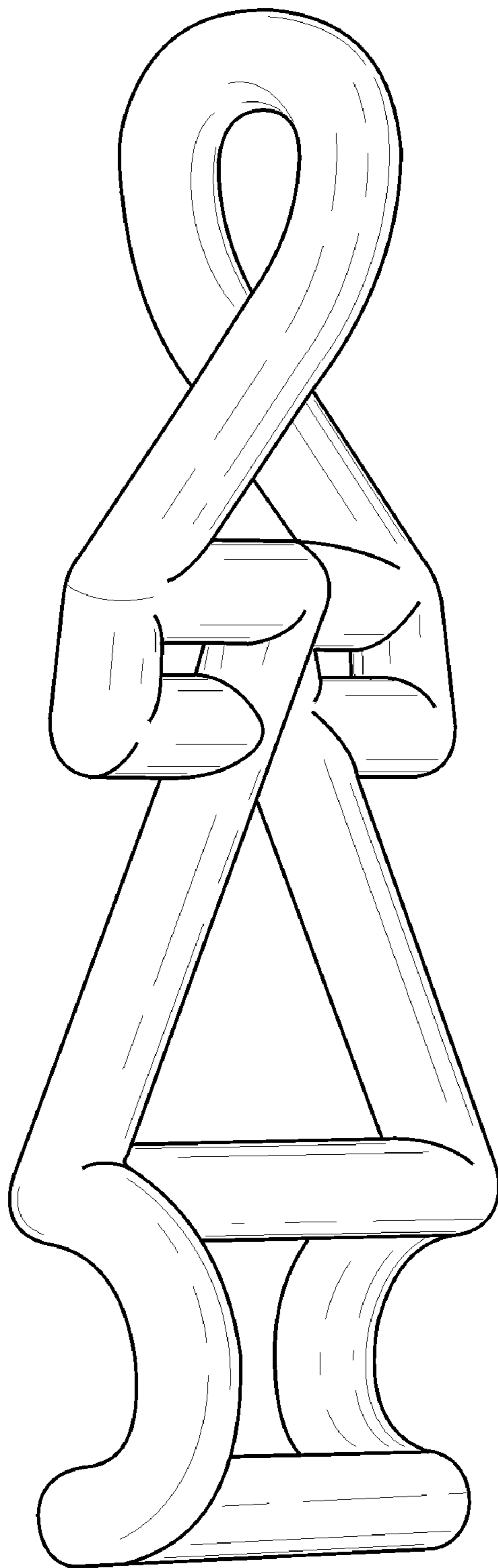


*FIG. 6*

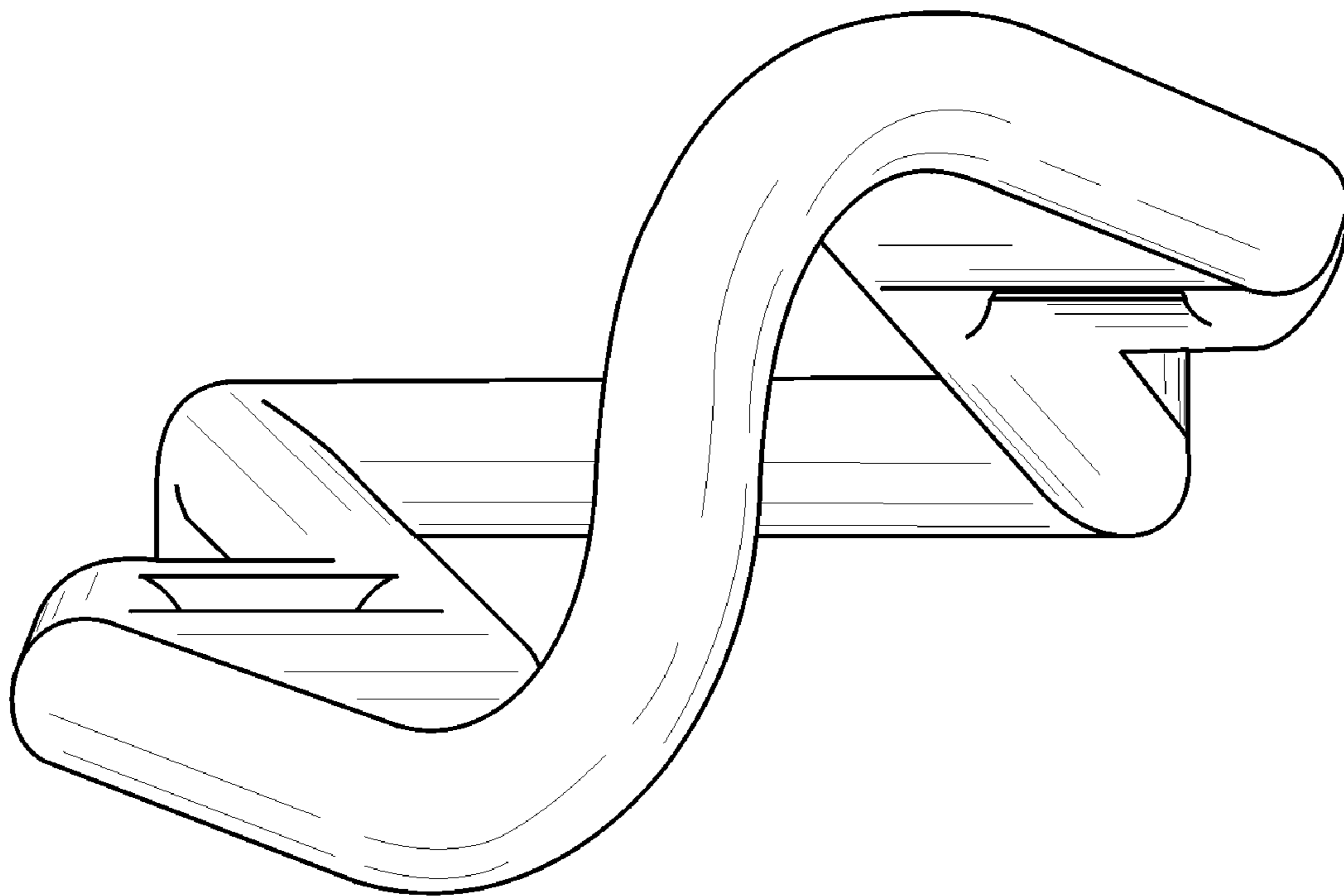


*FIG. 7*

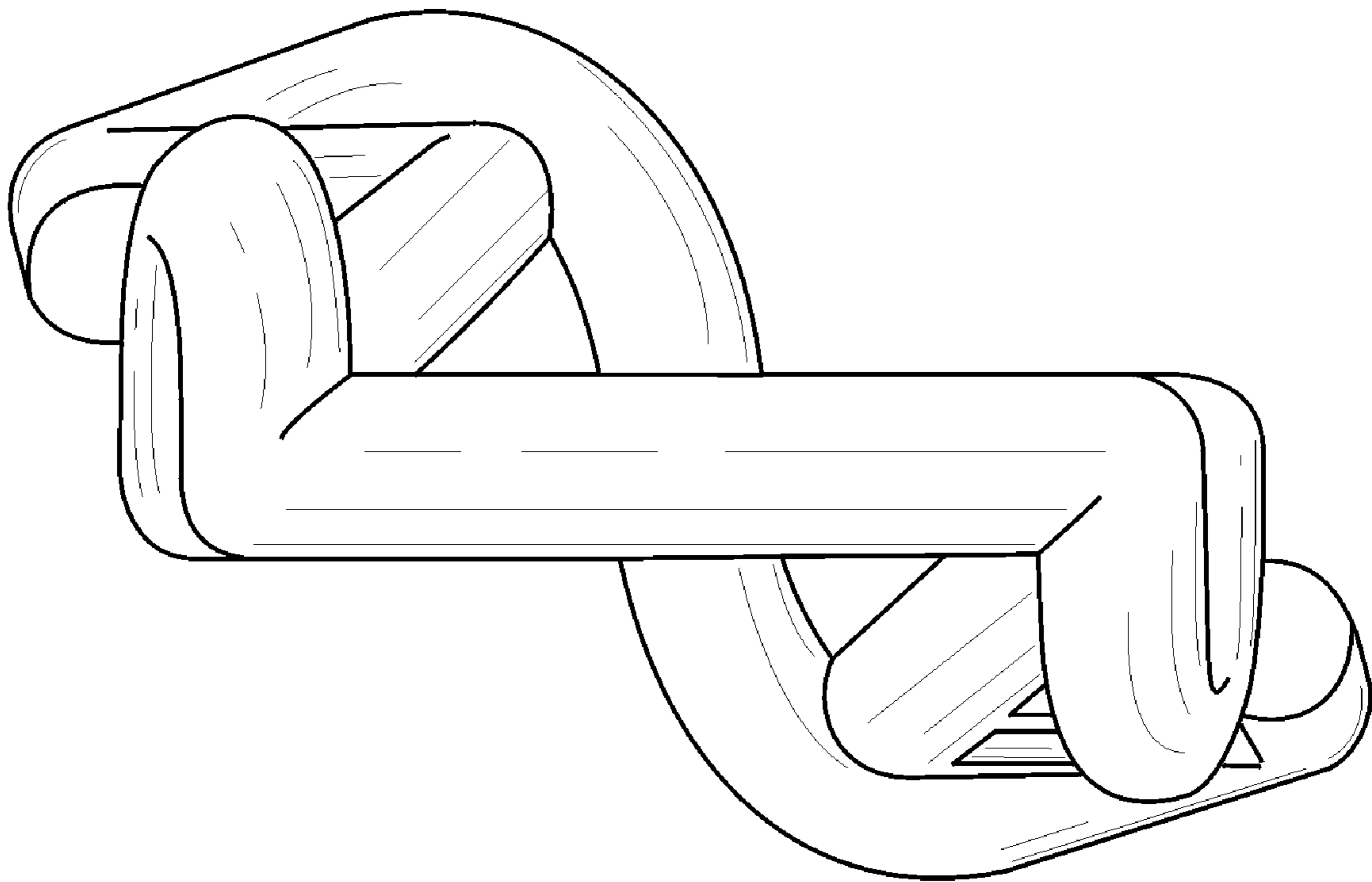




*FIG. 8*



*FIG. 9*



*FIG. 10*