



US00D569764S

(12) **United States Design Patent**
Schmidt

(10) **Patent No.:** **US D569,764 S**

(45) **Date of Patent:** **** May 27, 2008**

(54) **PLANT POT**

(75) Inventor: **Guido Schmidt**, Dinklage (DE)

(73) Assignee: **Poeppelmann Holding GmbH & So. KG**, Lohne (DE)

(**) Term: **14 Years**

(21) Appl. No.: **29/285,000**

(22) Filed: **Sep. 19, 2007**

Related U.S. Application Data

(62) Division of application No. 29/276,828, filed on Feb. 7, 2007.

(51) **LOC (8) Cl.** **11-02**

(52) **U.S. Cl.** **D11/152**

(58) **Field of Classification Search** D6/403,
D6/556; D11/143-148, 152-156; D19/77,
D19/81, 84; D26/9; D99/5, 19; 47/32.7,
47/39, 41.01, 41.1, 41.12-41.15, 44.47, 65.5,
47/66.1, 66.6, 66, 7, 67-71

See application file for complete search history.

(56) **References Cited**

U.S. PATENT DOCUMENTS

D110,286 S *	6/1938	Krebiel	D11/152
D198,040 S *	4/1964	Bonham et al.	D11/147
D340,674 S *	10/1993	Carlson	D11/152
D360,850 S *	8/1995	Grosfillex	D11/152
D366,855 S *	2/1996	Deelen	D11/152
D368,234 S *	3/1996	Dickinson et al.	D11/152
D399,452 S *	10/1998	Durbin	D11/152
D405,387 S *	2/1999	Masello	D11/152
D409,945 S *	5/1999	Hensen	D11/152
D458,807 S *	6/2002	Trazzi	D7/532
6,510,653 B1 *	1/2003	Workum et al.	47/65.5
D475,243 S *	6/2003	Trazzi	D7/532

* cited by examiner

Primary Examiner—Caron D. Veynar
Assistant Examiner—Garth Rademaker

(74) *Attorney, Agent, or Firm*—Porter, Wright, Morris & Arthur, LLP

(57) **CLAIM**

The ornamental design for a plant pot, as shown and described.

DESCRIPTION

FIG. 1 is a perspective view of a plant pot according to my new design;

FIG. 2 is a right side elevational view thereof;

FIG. 3 is a top plan view thereof;

FIG. 4 is a bottom plan view thereof;

FIG. 5 is a perspective view of a plant pot according a second embodiment of my new design;

FIG. 6 is a right side elevational view thereof;

FIG. 7 is a top plan view thereof;

FIG. 8 is a bottom plan view thereof;

FIG. 9 is a perspective view of a plant pot according a third embodiment of my new design;

FIG. 10 is a right side elevational view thereof;

FIG. 11 is a top plan view thereof;

FIG. 12 is a bottom plan view thereof;

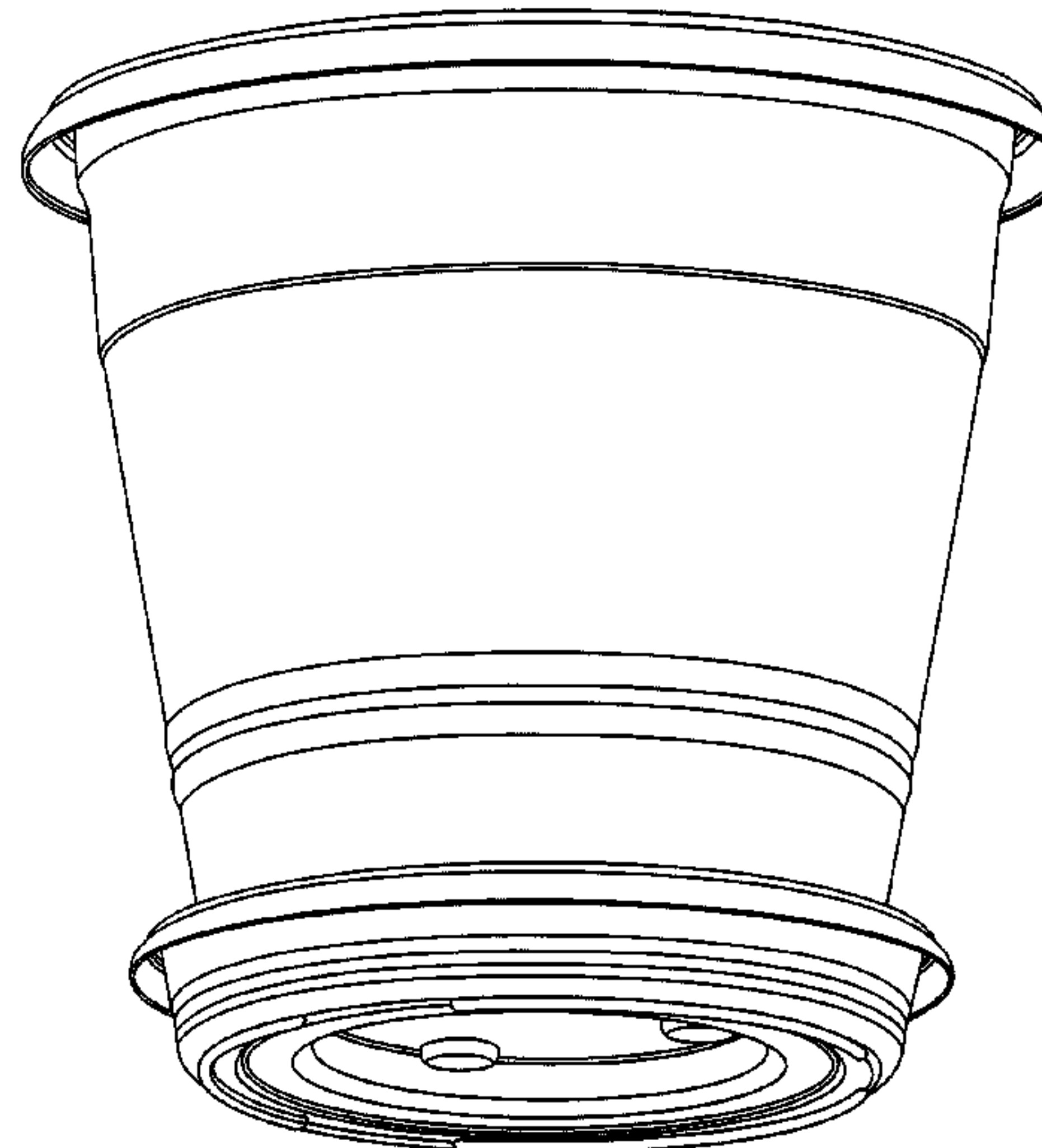
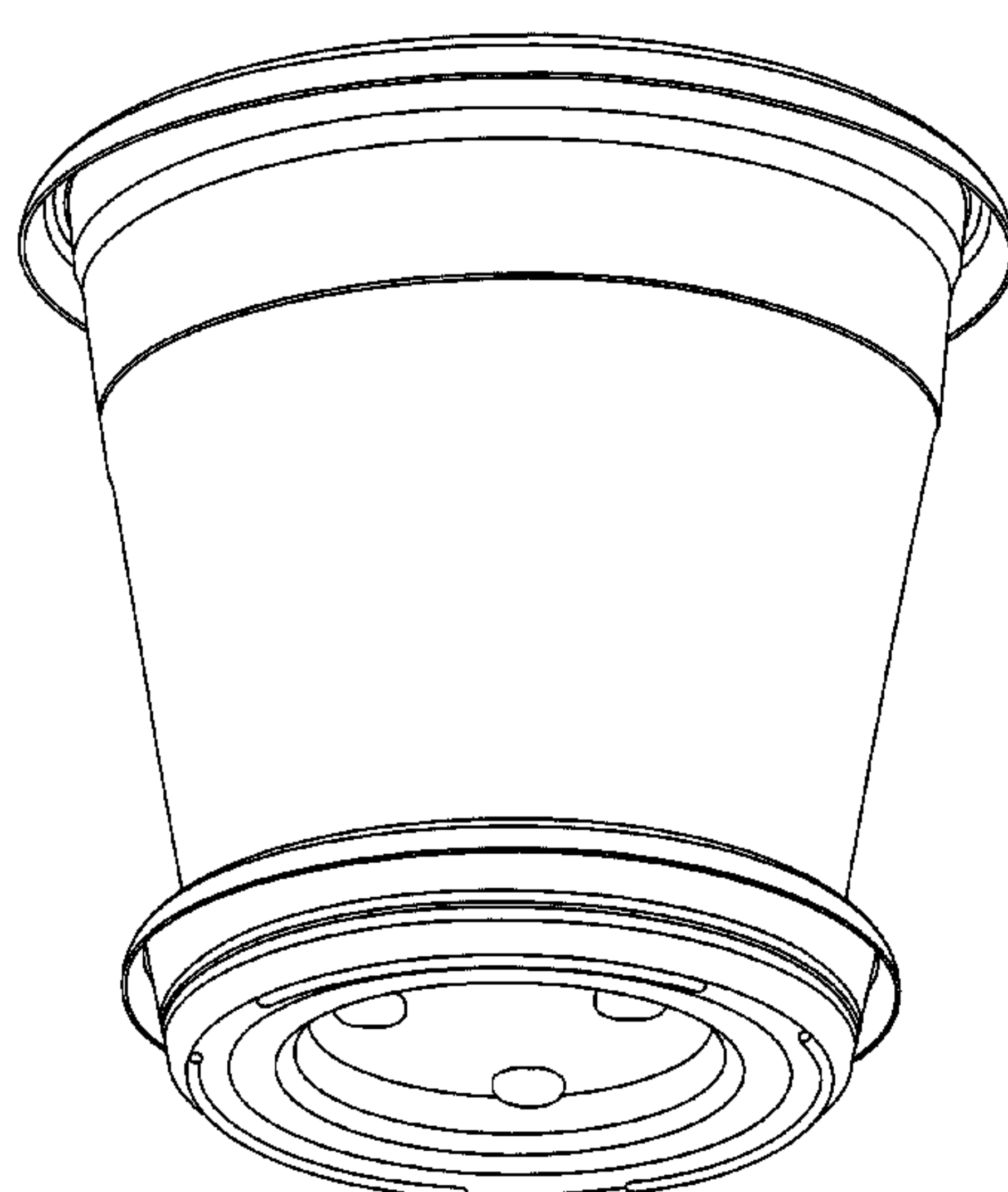
FIG. 13 is a perspective view of a plant pot according a fourth embodiment of my new design;

FIG. 14 is a right side elevational view thereof;

FIG. 15 is a top plan view thereof; and,

FIG. 16 is a bottom plan view thereof.

1 Claim, 16 Drawing Sheets



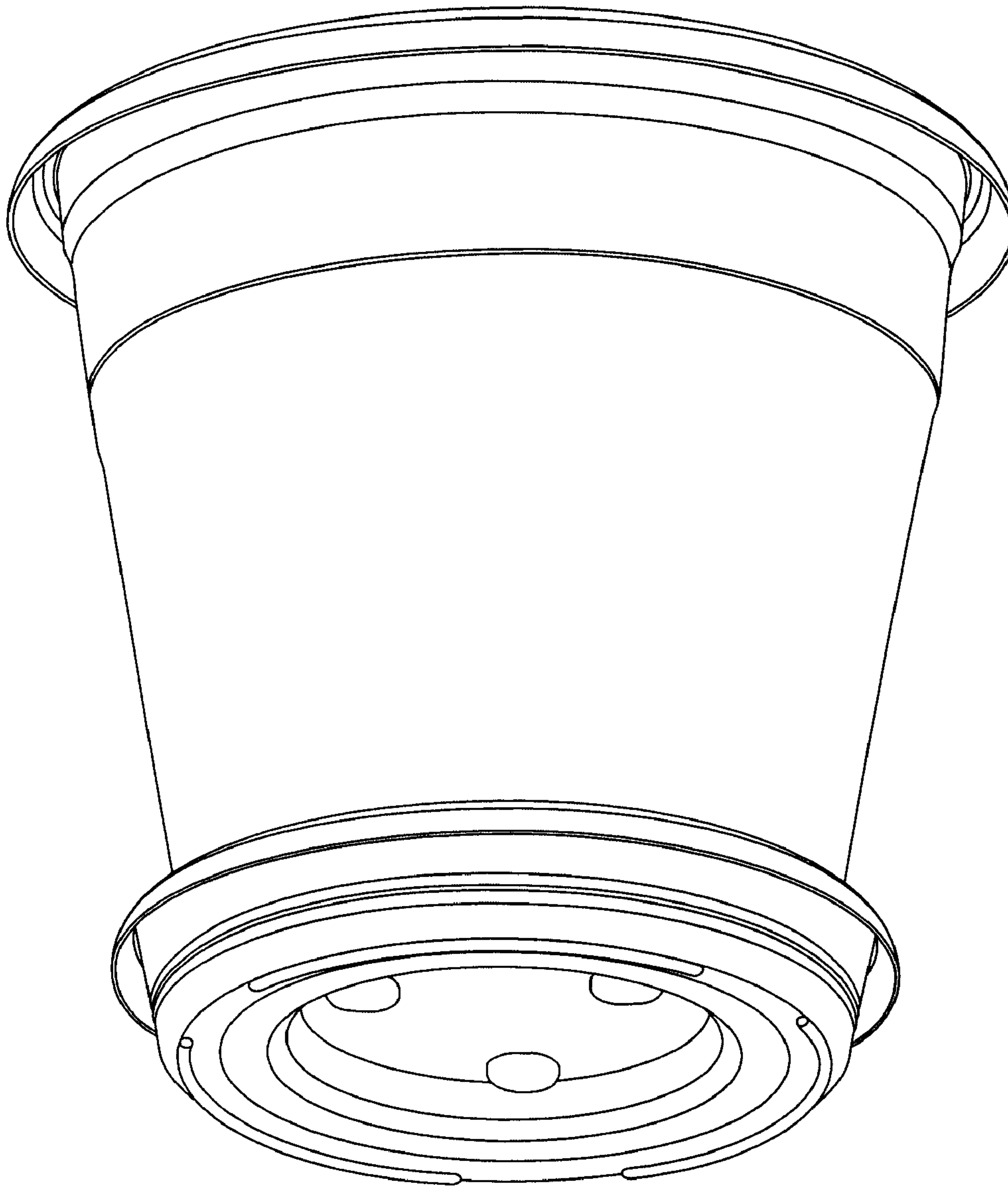


Fig. 1

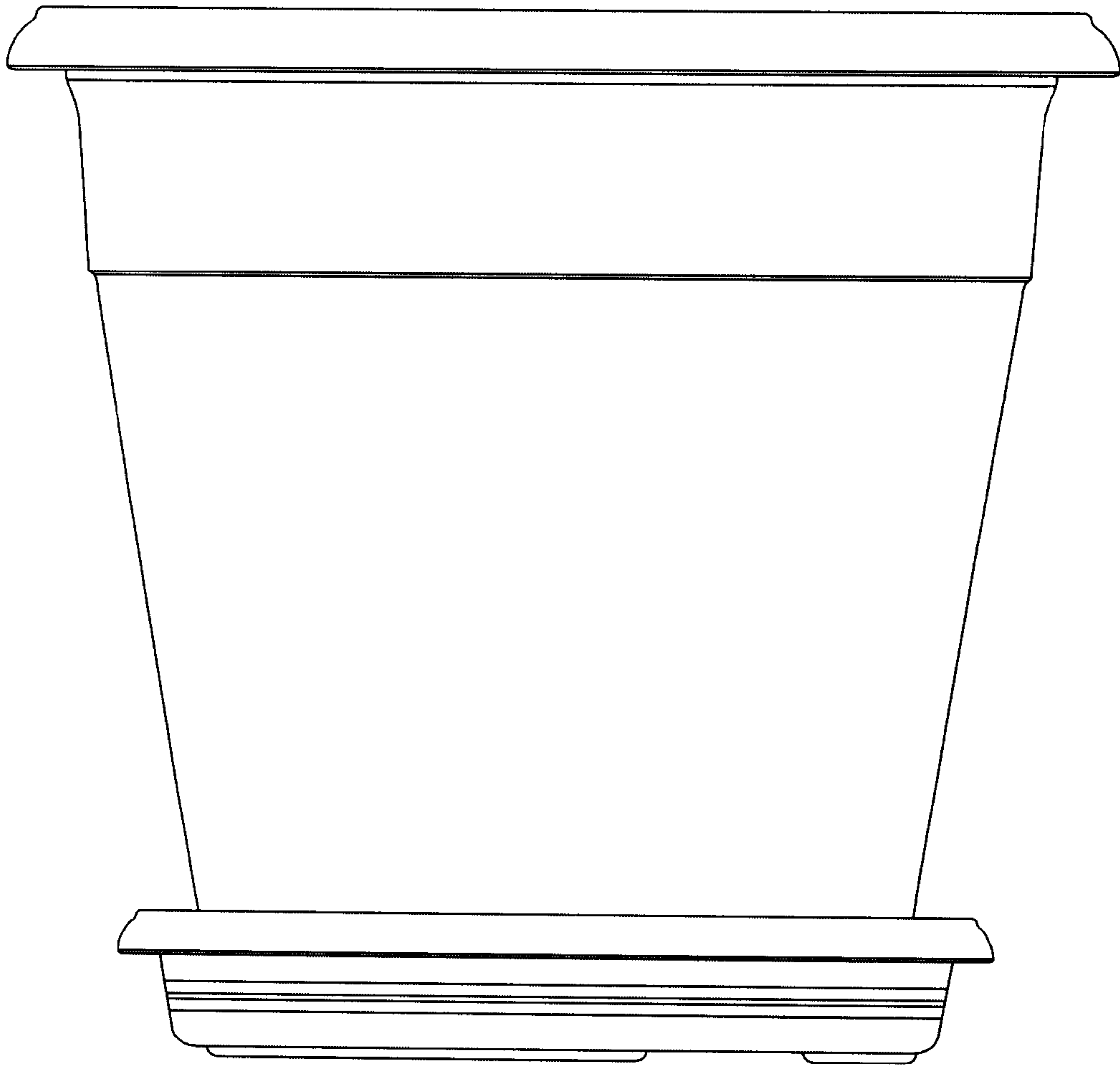


Fig. 2

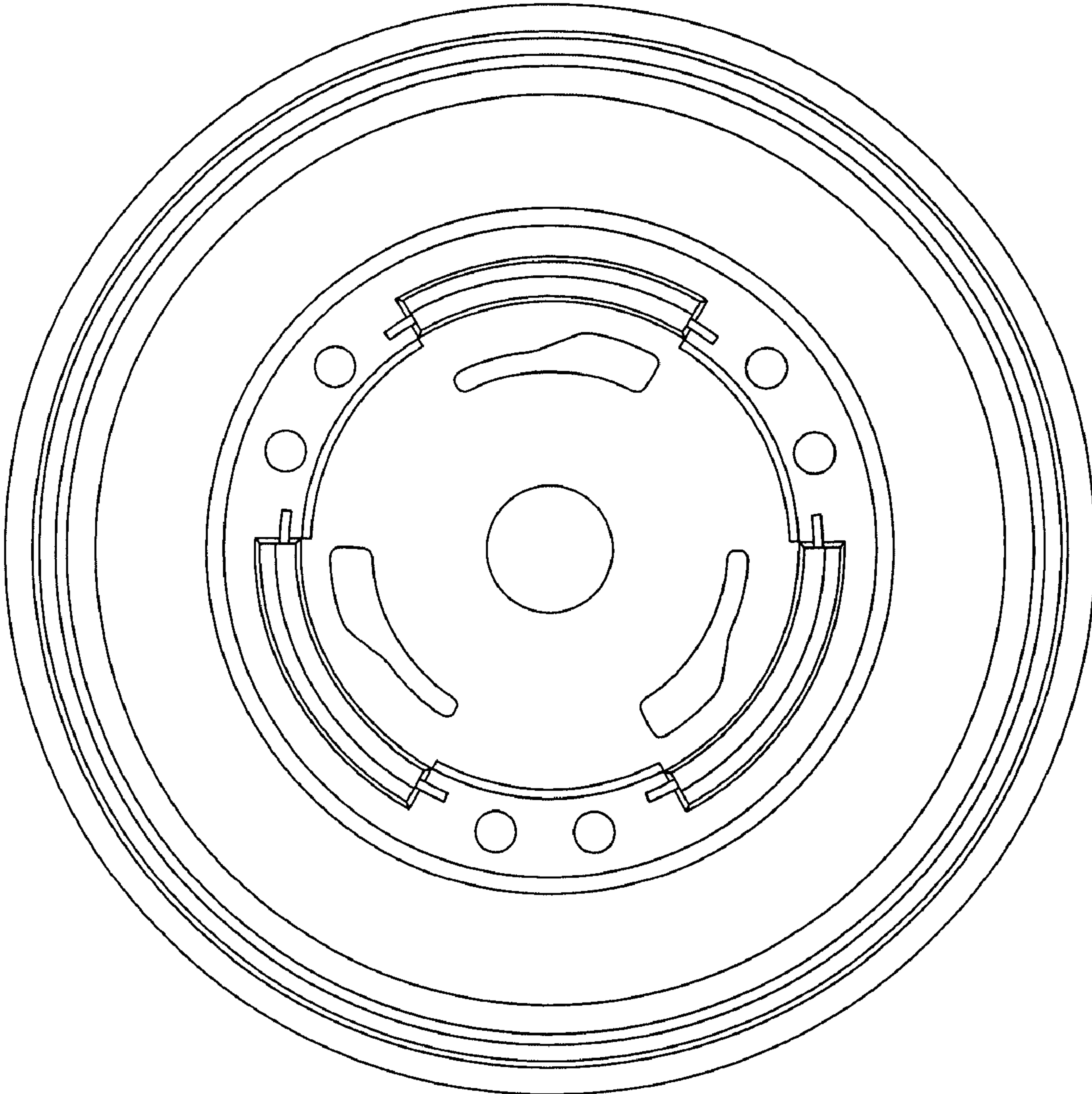


Fig. 3

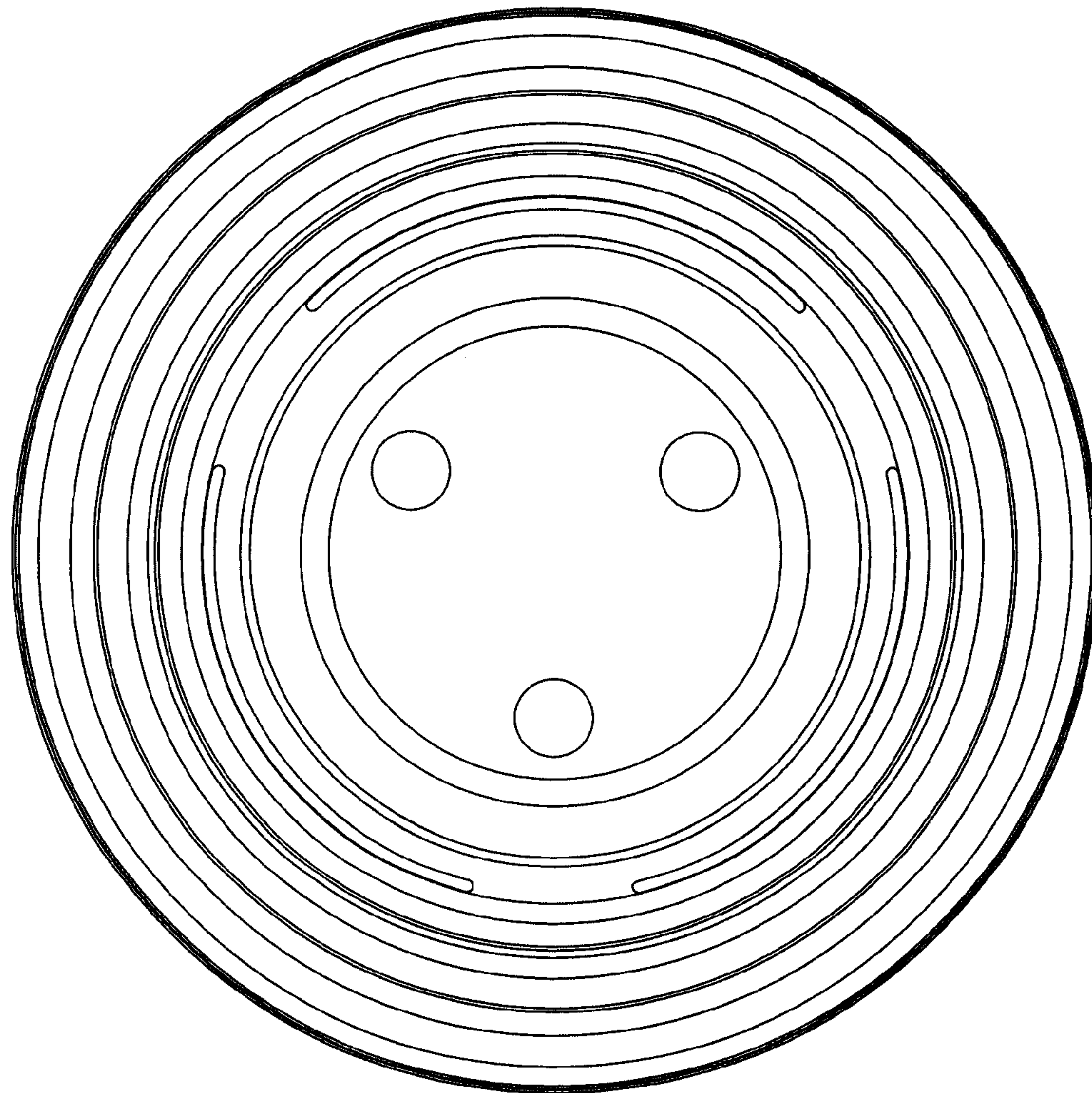


Fig. 4

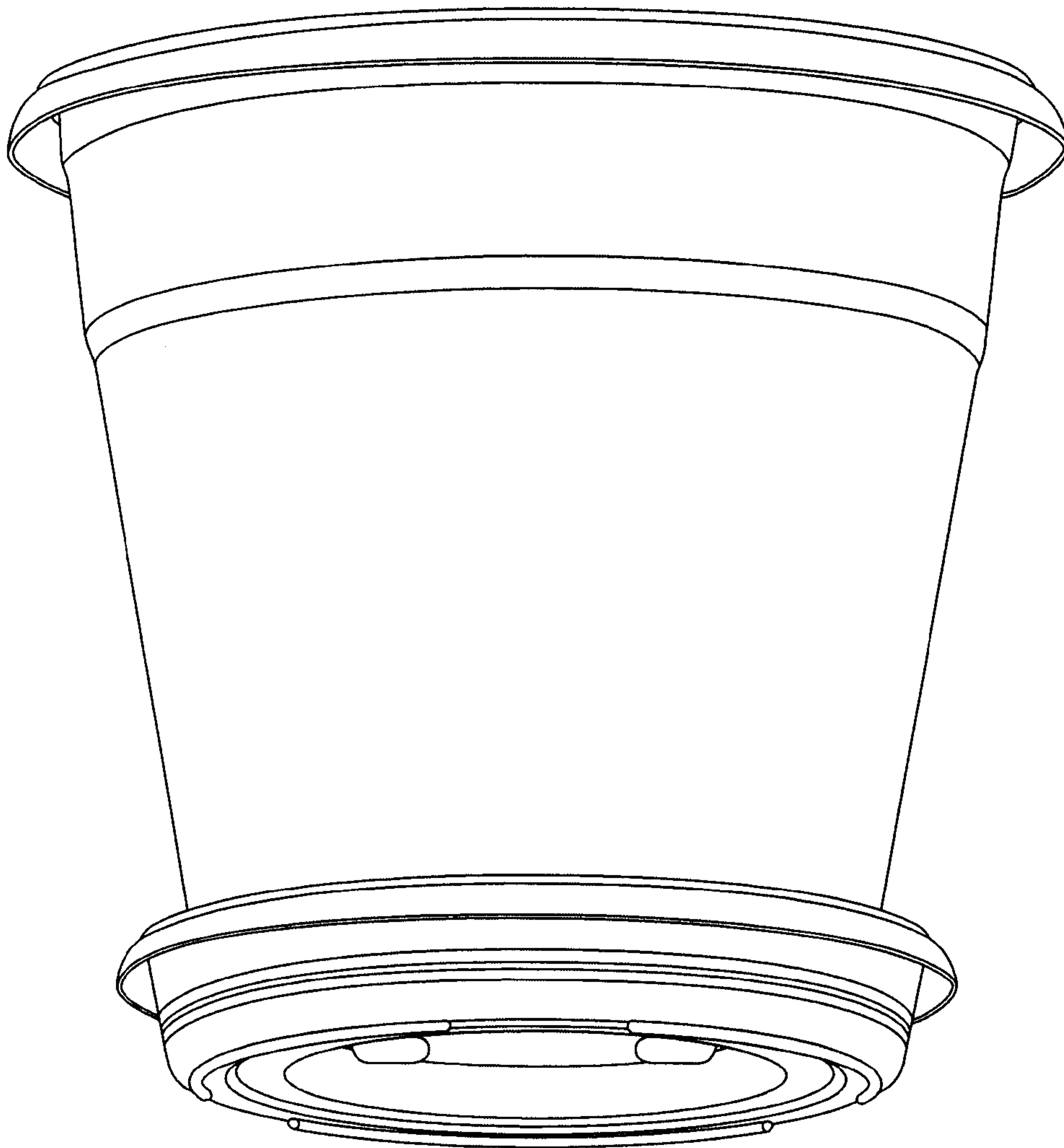


Fig. 5

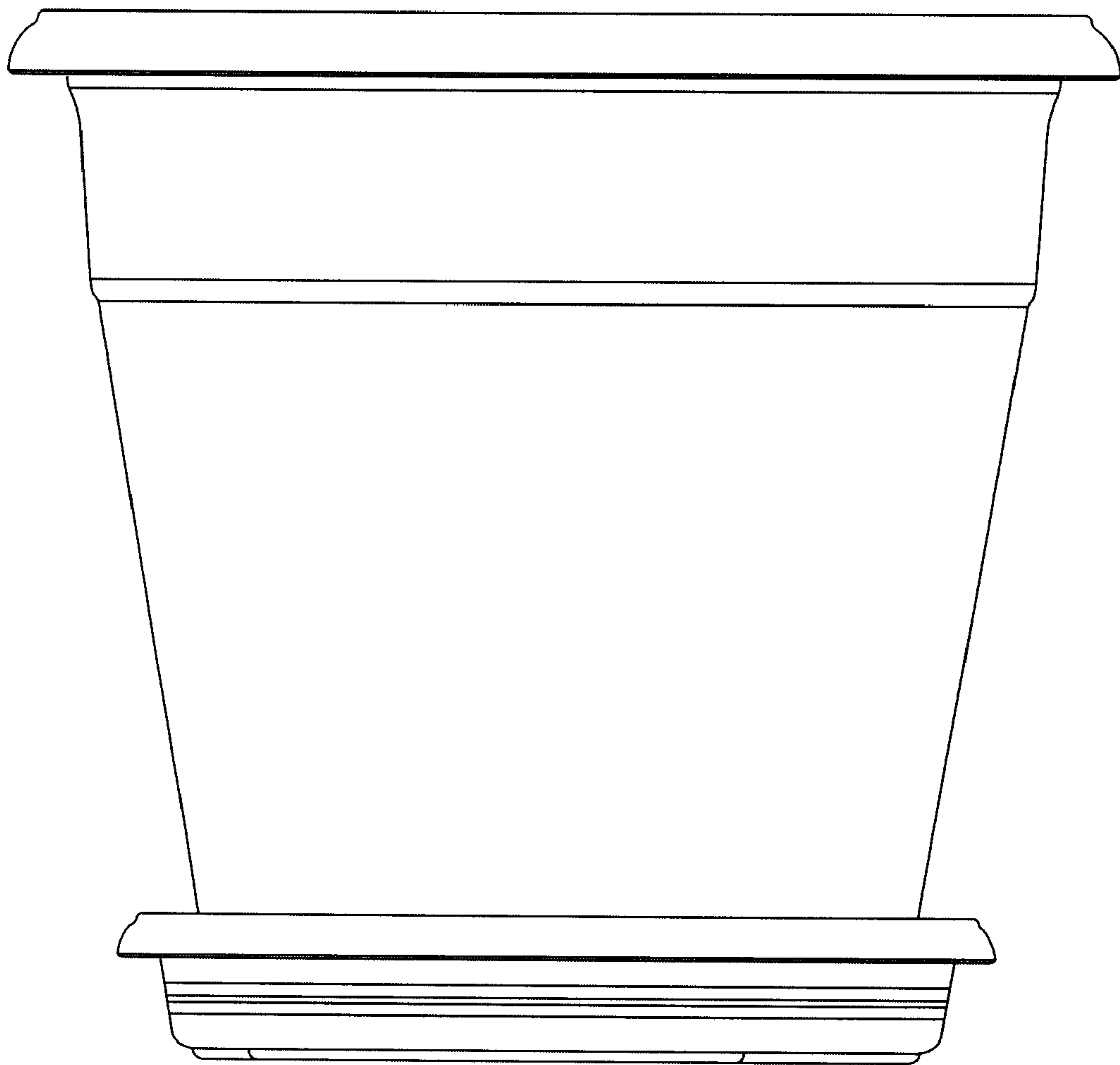


Fig. 6

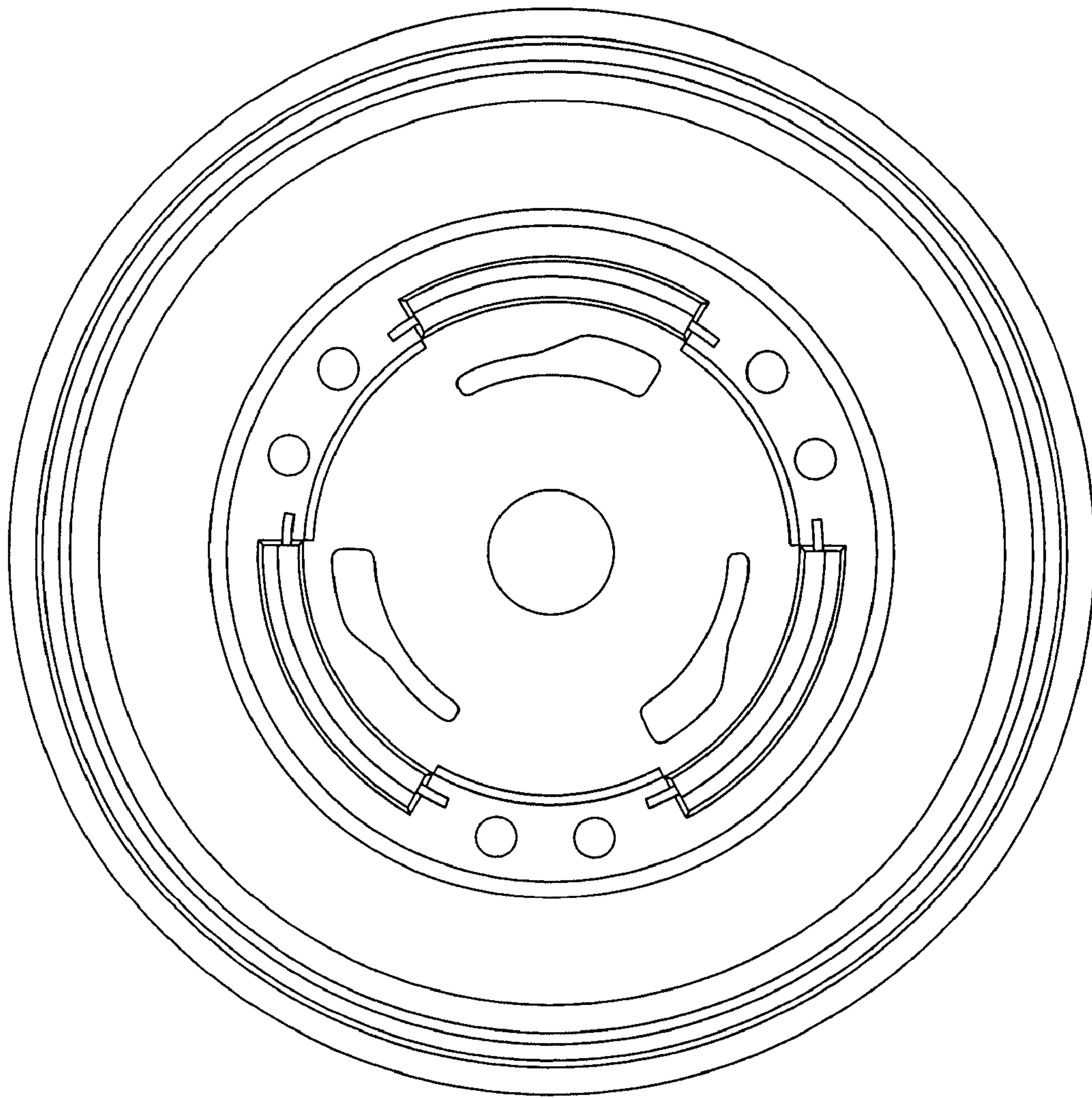


Fig. 7

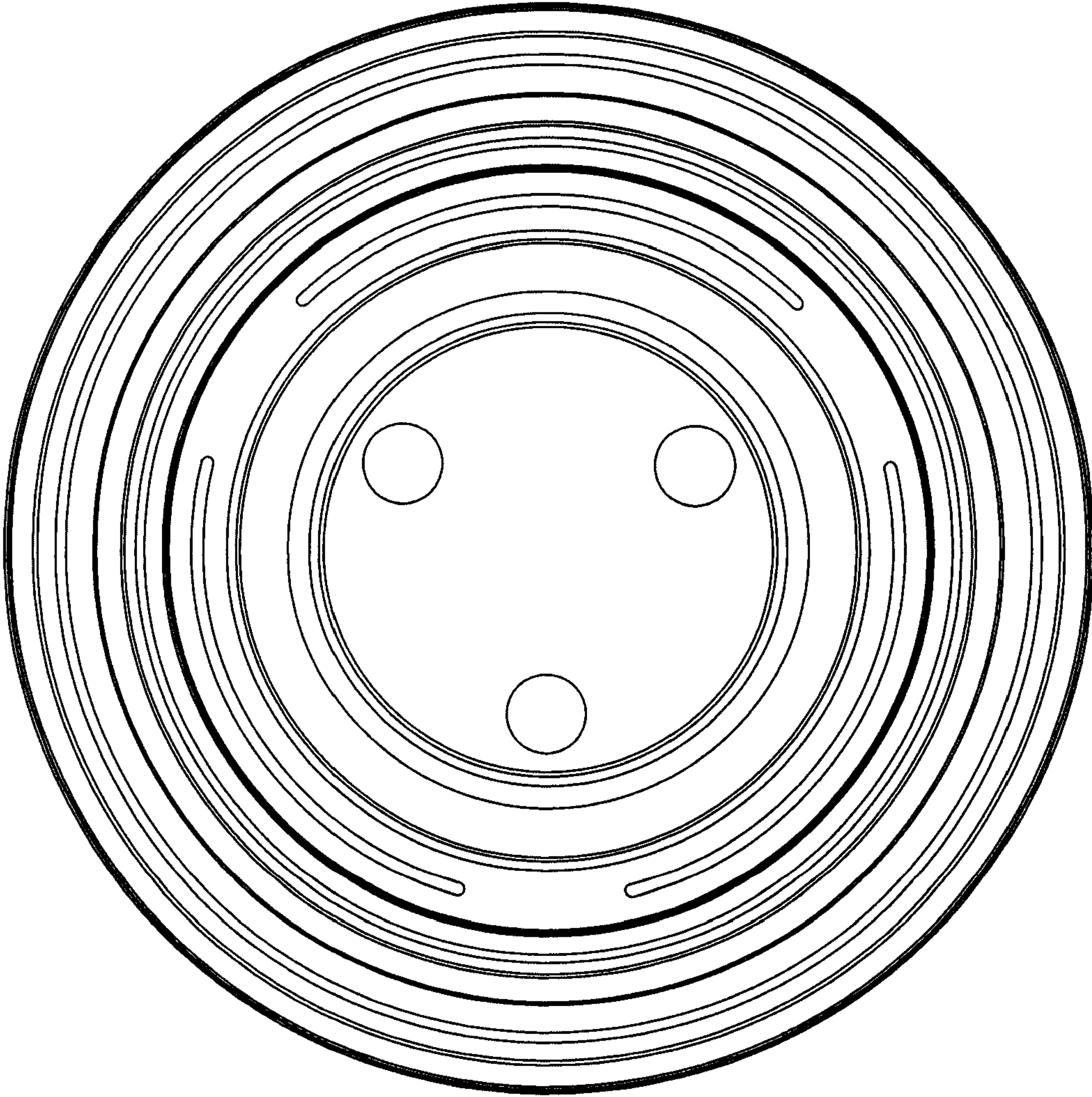


Fig. 8

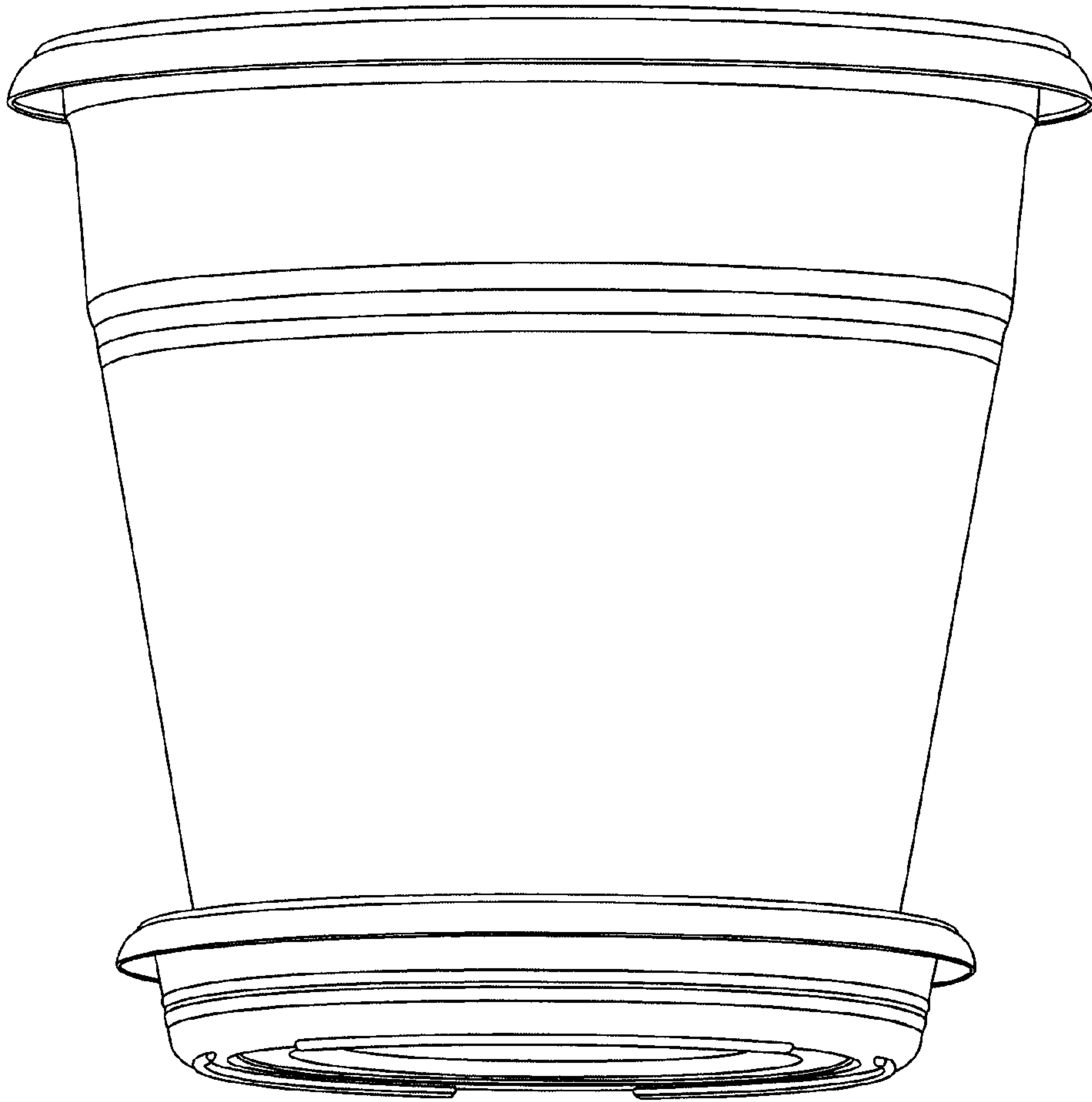


Fig. 9

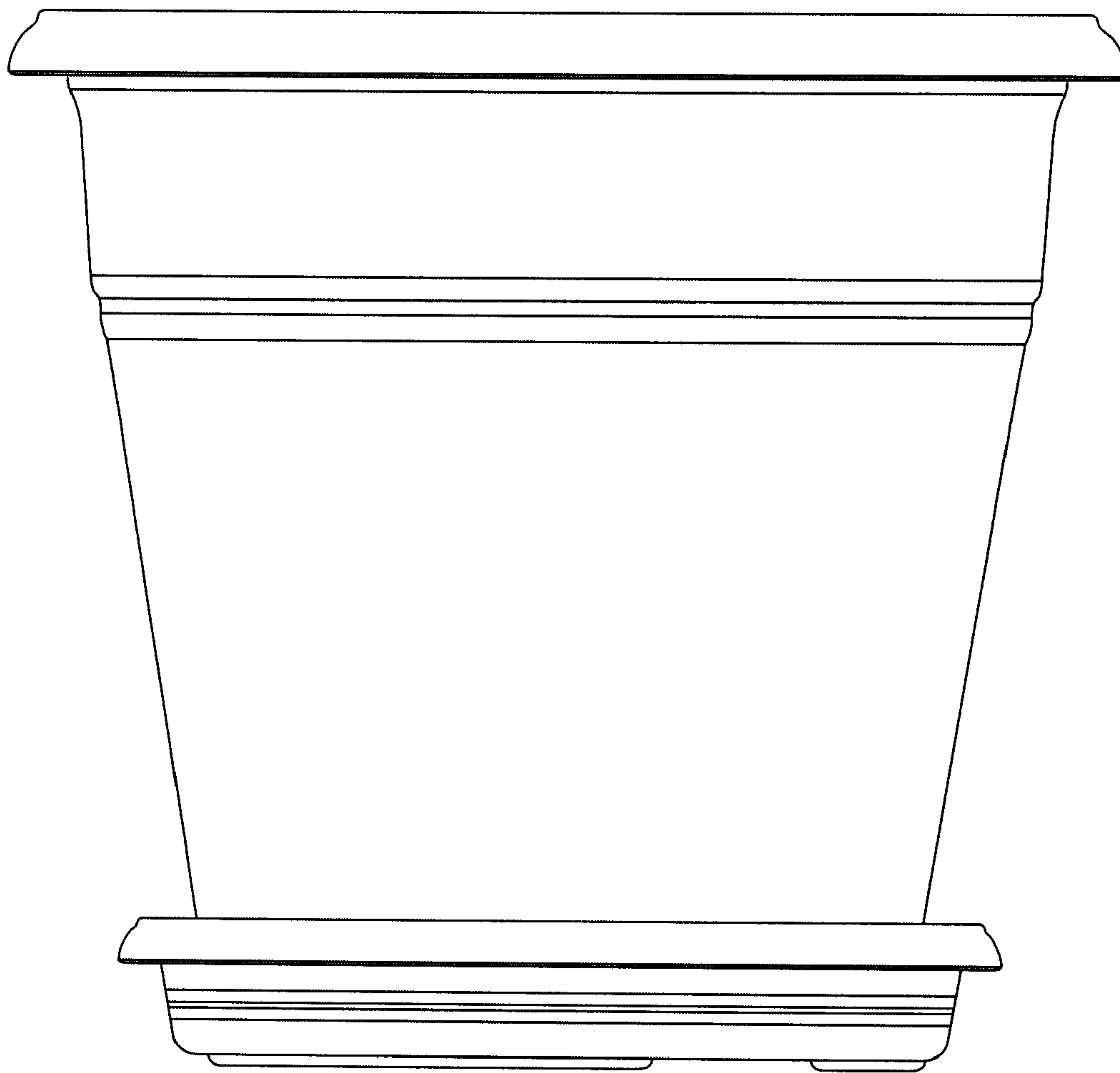


Fig. 10

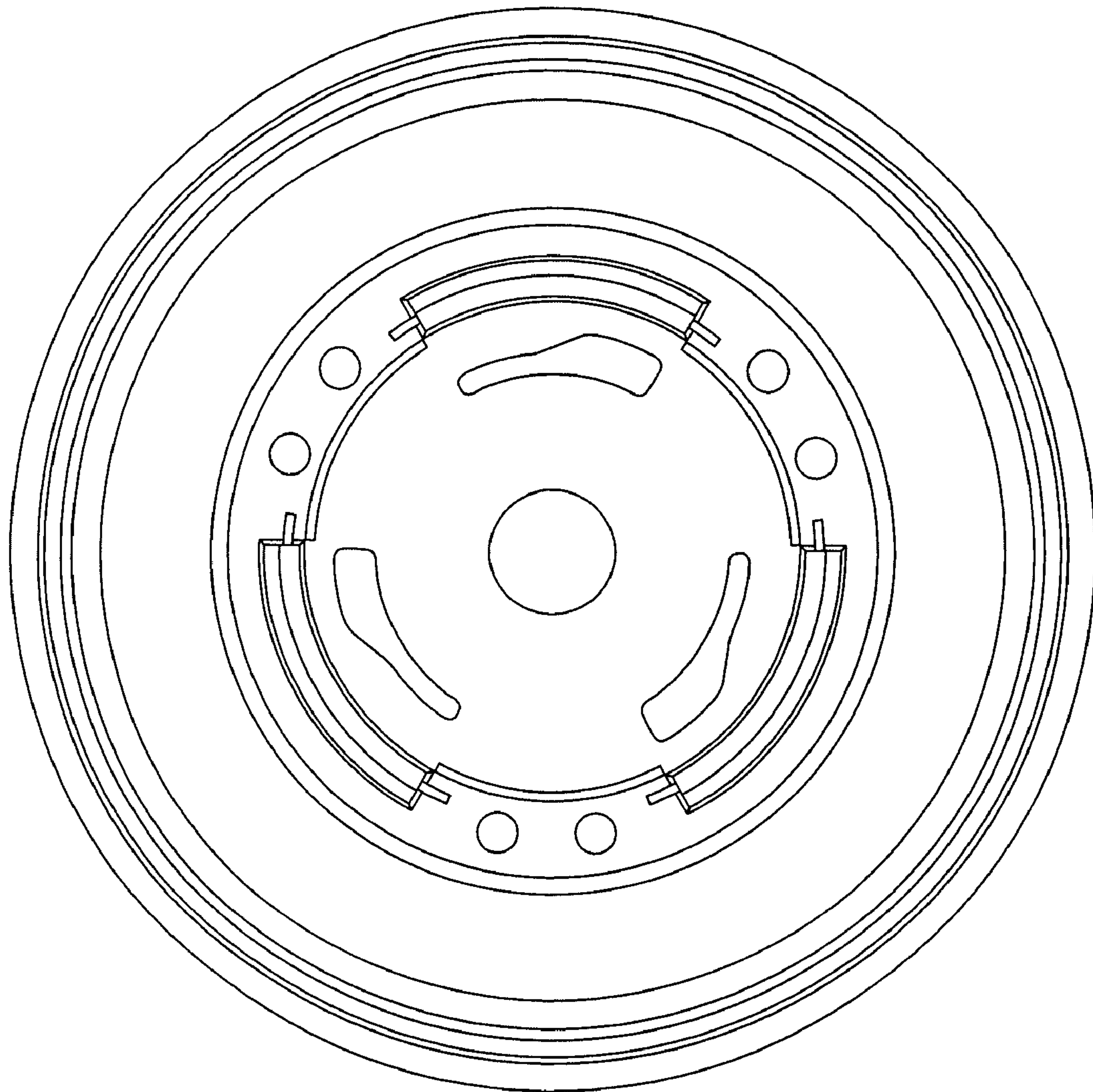


Fig. 11

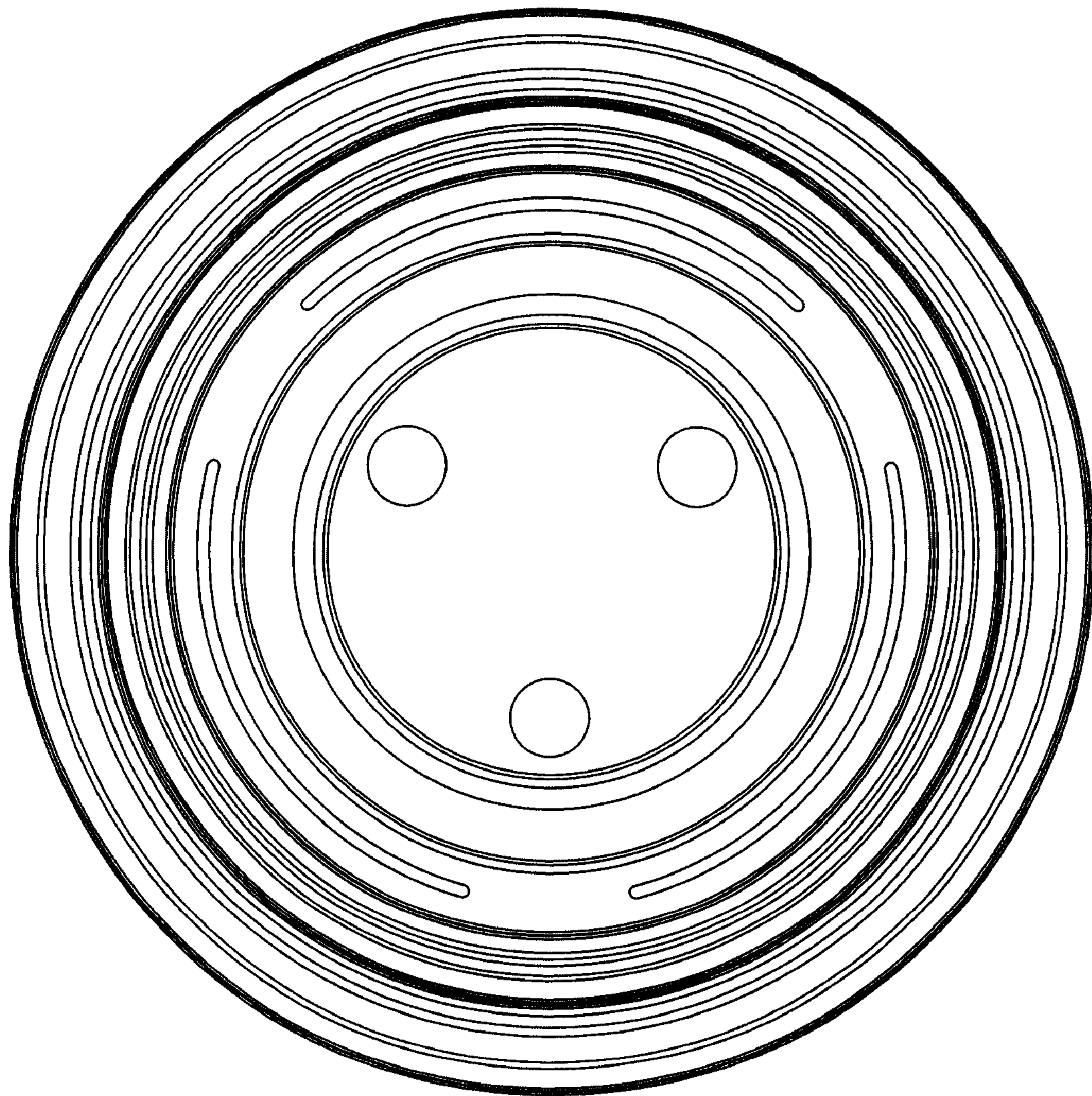


Fig. 12

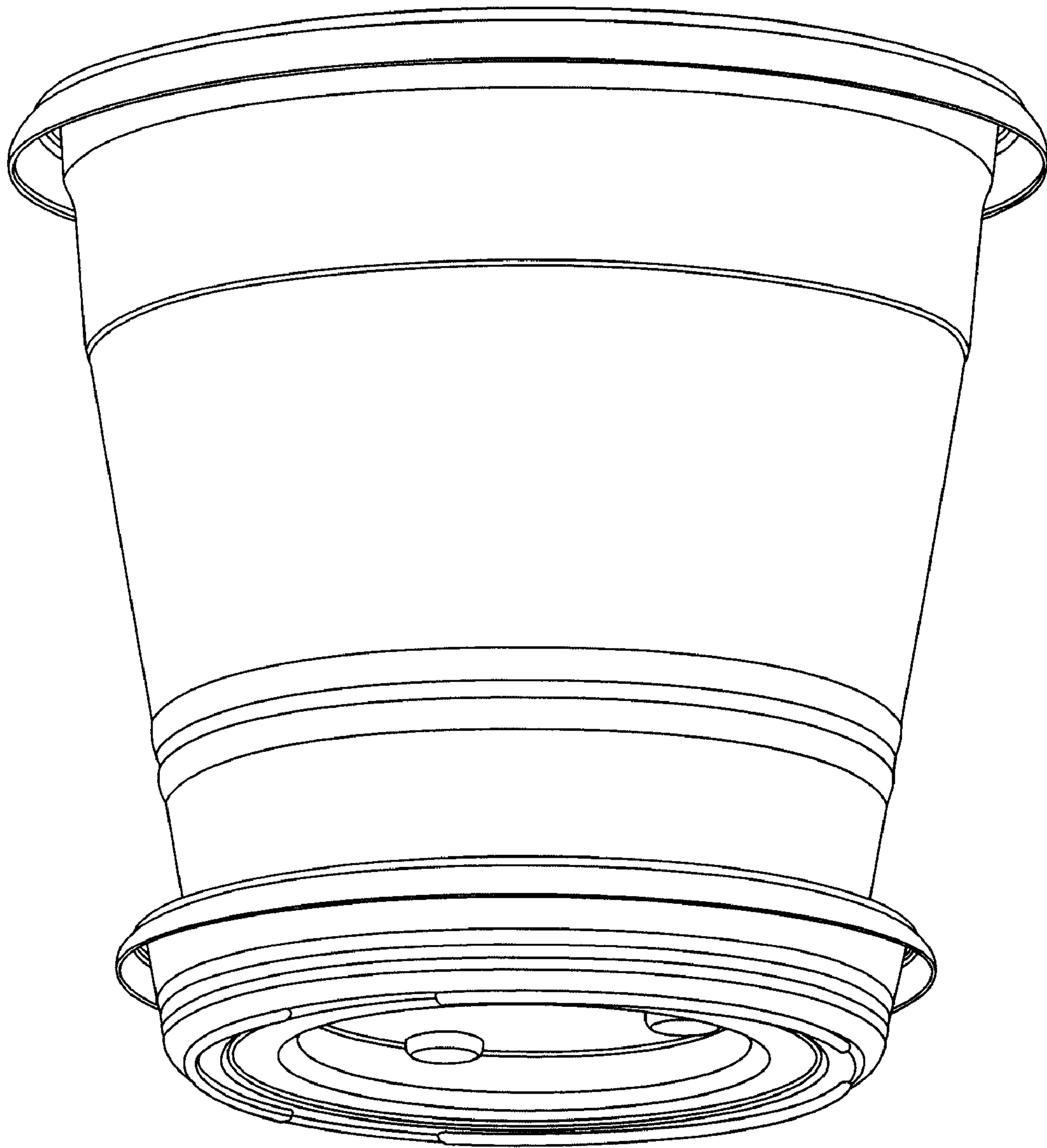


Fig. 13

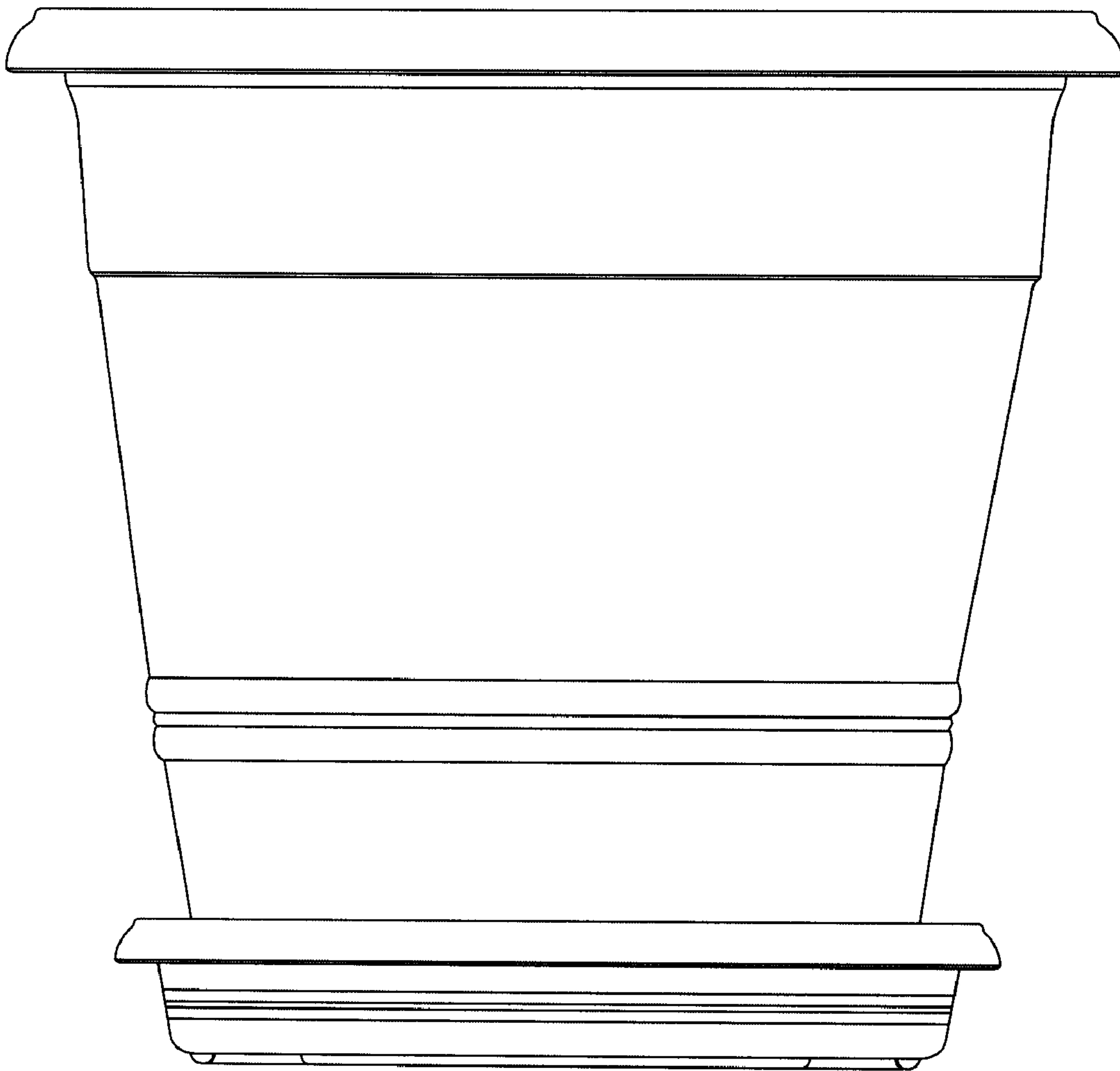


Fig. 14

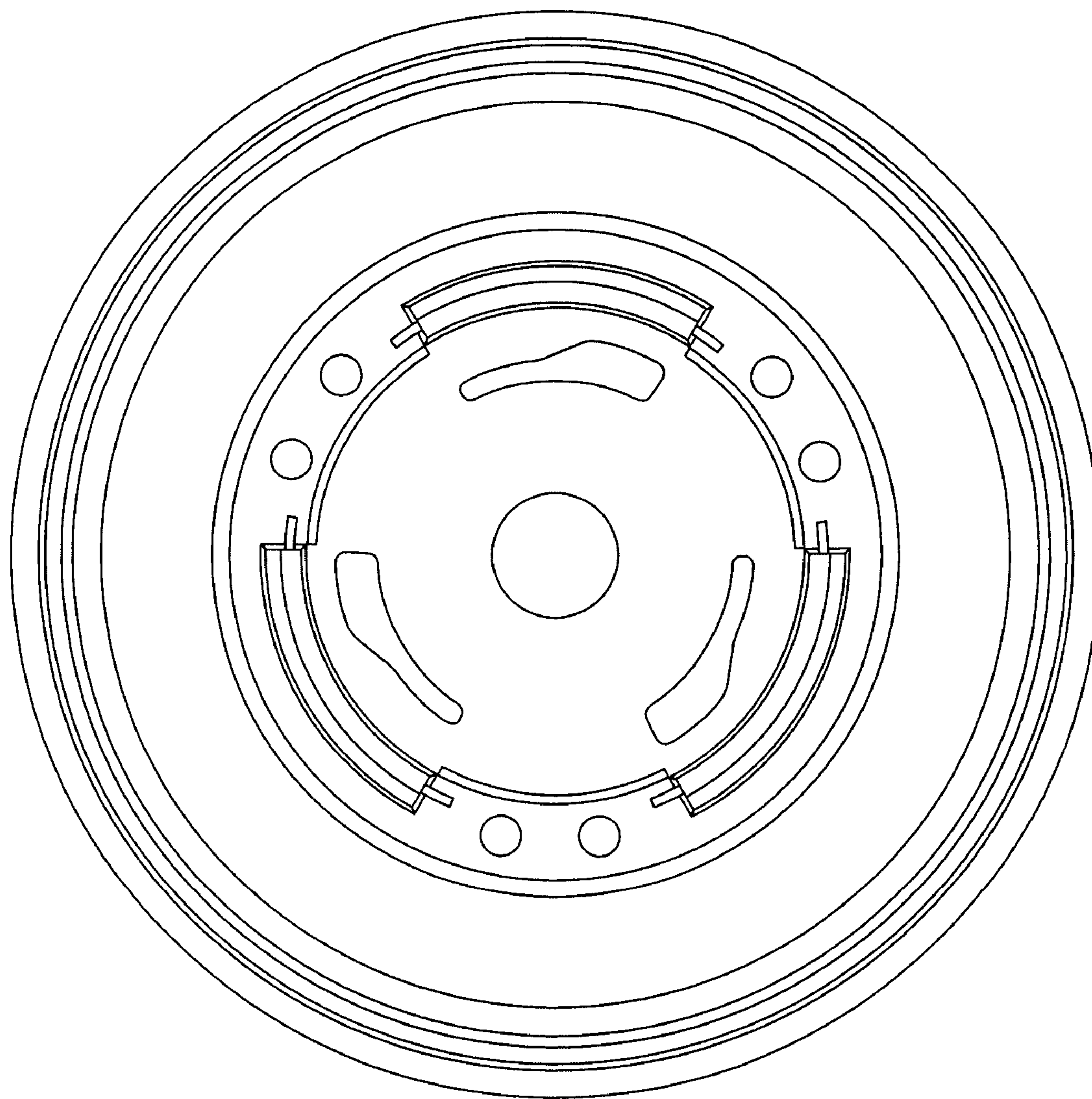


Fig. 15

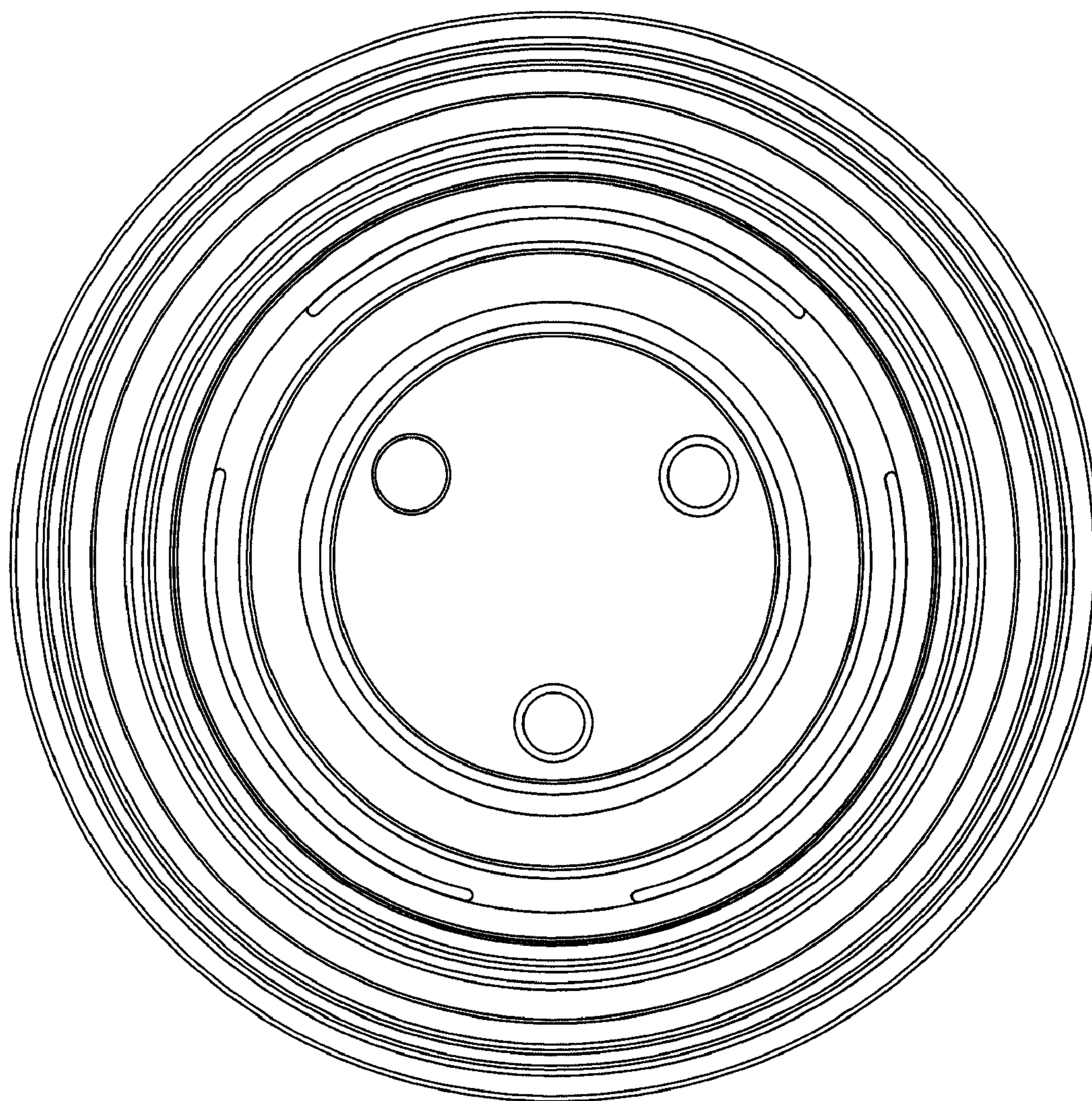


Fig. 16