



US00D569763S

(12) **United States Design Patent**  
**Schmidt**

(10) **Patent No.:** **US D569,763 S**

(45) **Date of Patent:** **\*\* May 27, 2008**

(54) **PLANT POT**

(75) Inventor: **Guido Schmidt**, Dinklage (DE)

(73) Assignee: **Poepelmann Holding GmbH & Co. KG**, Lohne (DE)

(\*\*) Term: **14 Years**

(21) Appl. No.: **29/280,849**

(22) Filed: **Jun. 8, 2007**

(51) **LOC (8) Cl.** ..... **11-02**

(52) **U.S. Cl.** ..... **D11/152**

(58) **Field of Classification Search** ..... D6/403,  
D6/556; D11/143-148, 152-156; D19/77,  
D19/81, 84; D26/9; D99/5, 19; 47/32.7,  
47/39, 41.01, 41.1, 41.12-41.15, 44-47,  
47/65.5, 66.1, 66.6, 66.7, 67-71

See application file for complete search history.

(56) **References Cited**

**U.S. PATENT DOCUMENTS**

3,192,665	A	*	7/1965	Cloud	.....	47/80
D319,606	S	*	9/1991	Etro	.....	D11/153
D352,479	S	*	11/1994	Carlson	.....	D11/153
D363,879	S	*	11/1995	Krupa et al.	.....	D11/152
D409,945	S	*	5/1999	Hensen	.....	D11/152
D409,946	S	*	5/1999	Hensen	.....	D11/152
D544,813	S	*	6/2007	Schmidt	.....	D11/152

D546,241 S \* 7/2007 Schmidt ..... D11/152

\* cited by examiner

*Primary Examiner*—Caron D. Veynar

*Assistant Examiner*—Garth Rademaker

(74) *Attorney, Agent, or Firm*—Porter, Wright, Morris & Arthur LLP

(57) **CLAIM**

The ornamental design for a plant pot, as shown and described.

**DESCRIPTION**

FIG. 1 is a perspective view of a plant pot according to my new design;

FIG. 2 is a front elevational view thereof;

FIG. 3 is a rear elevational view thereof;

FIG. 4 is a top plan view thereof;

FIG. 5 is a bottom plan view thereof;

FIG. 6 is a perspective view of a plant pot according to a second embodiment of my new design;

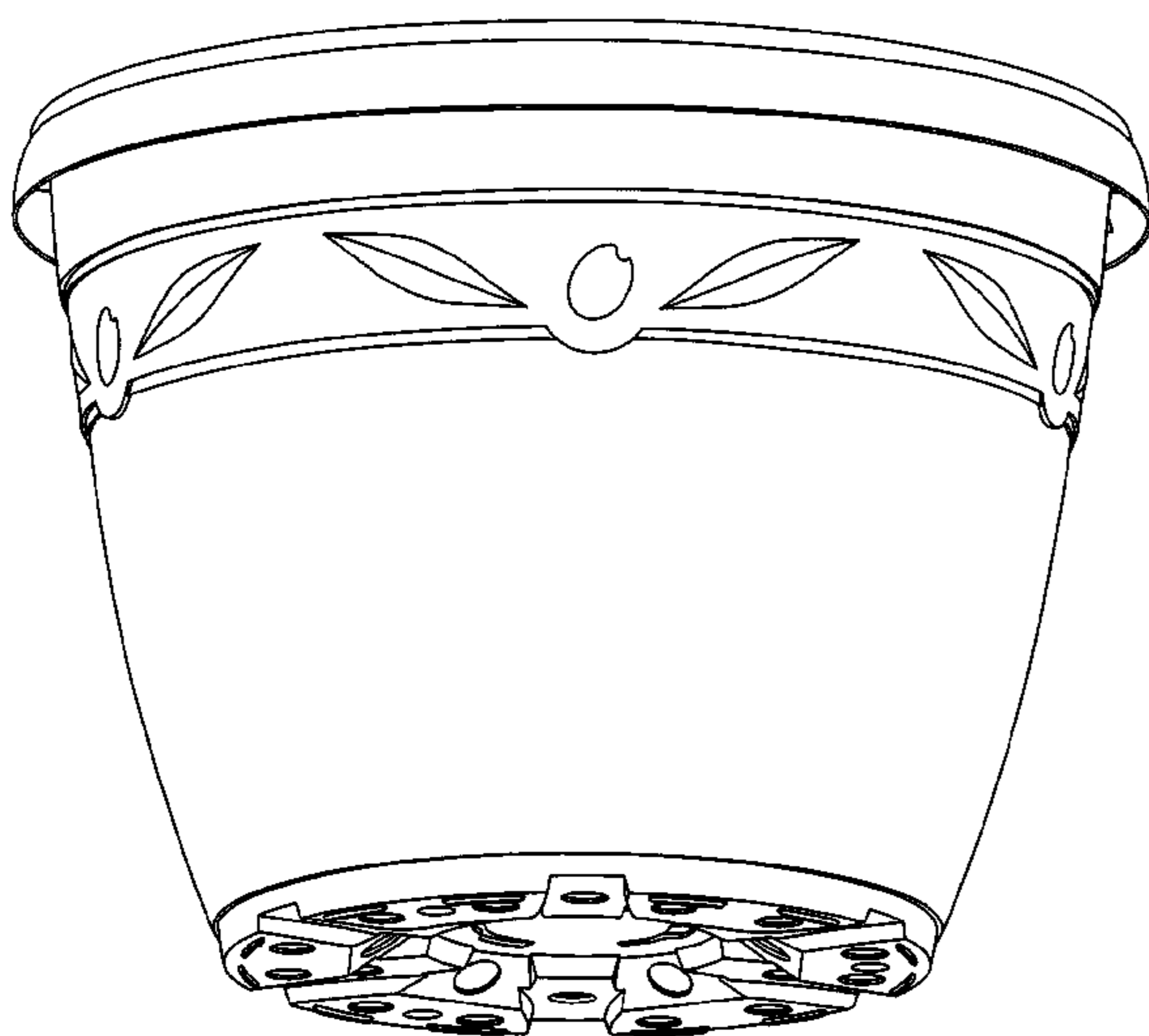
FIG. 7 is a front elevational view thereof;

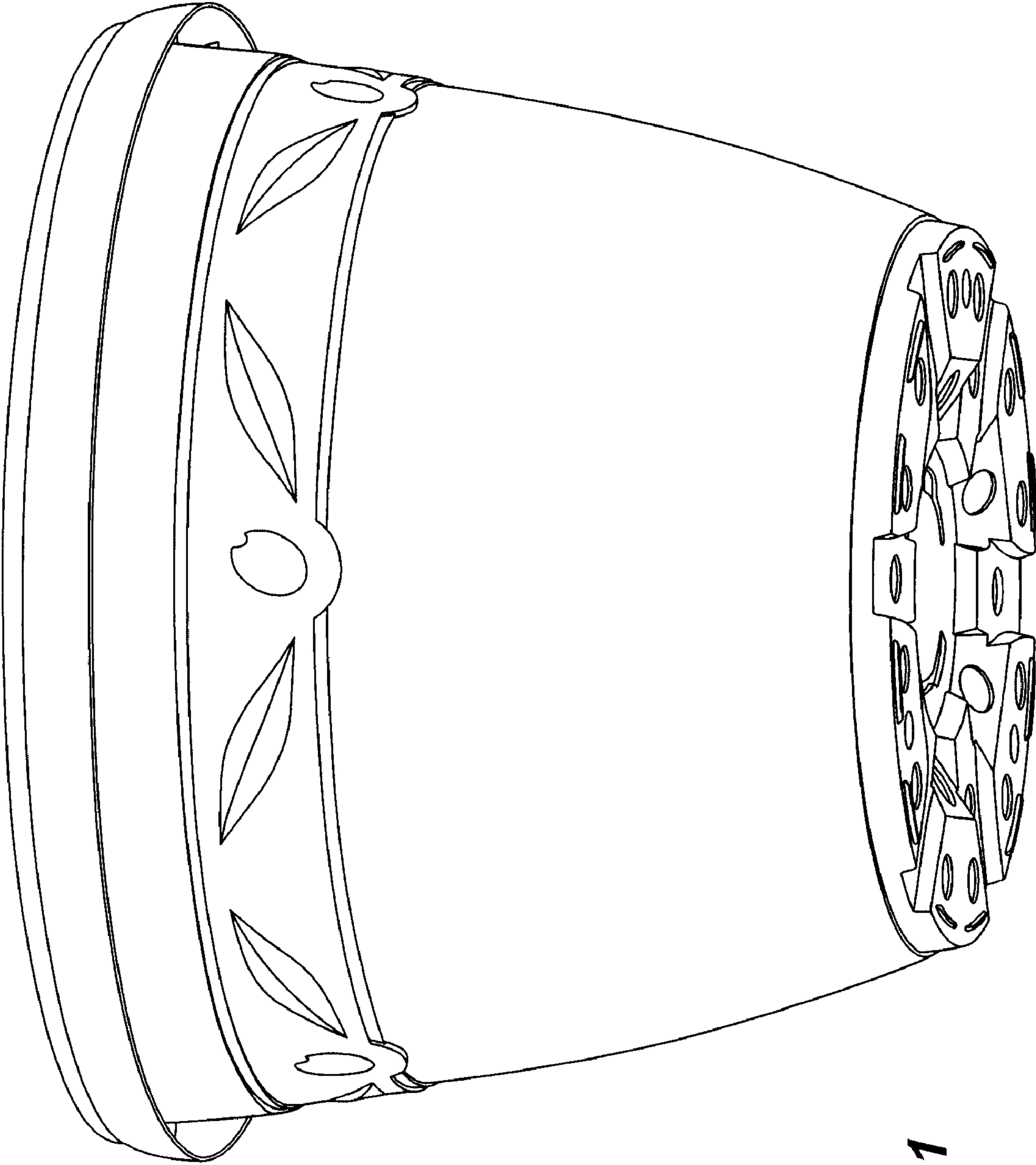
FIG. 8 is a rear elevational view thereof;

FIG. 9 is a top plan view thereof; and,

FIG. 10 is a bottom plan view thereof.

**1 Claim, 10 Drawing Sheets**





**Fig. 1**

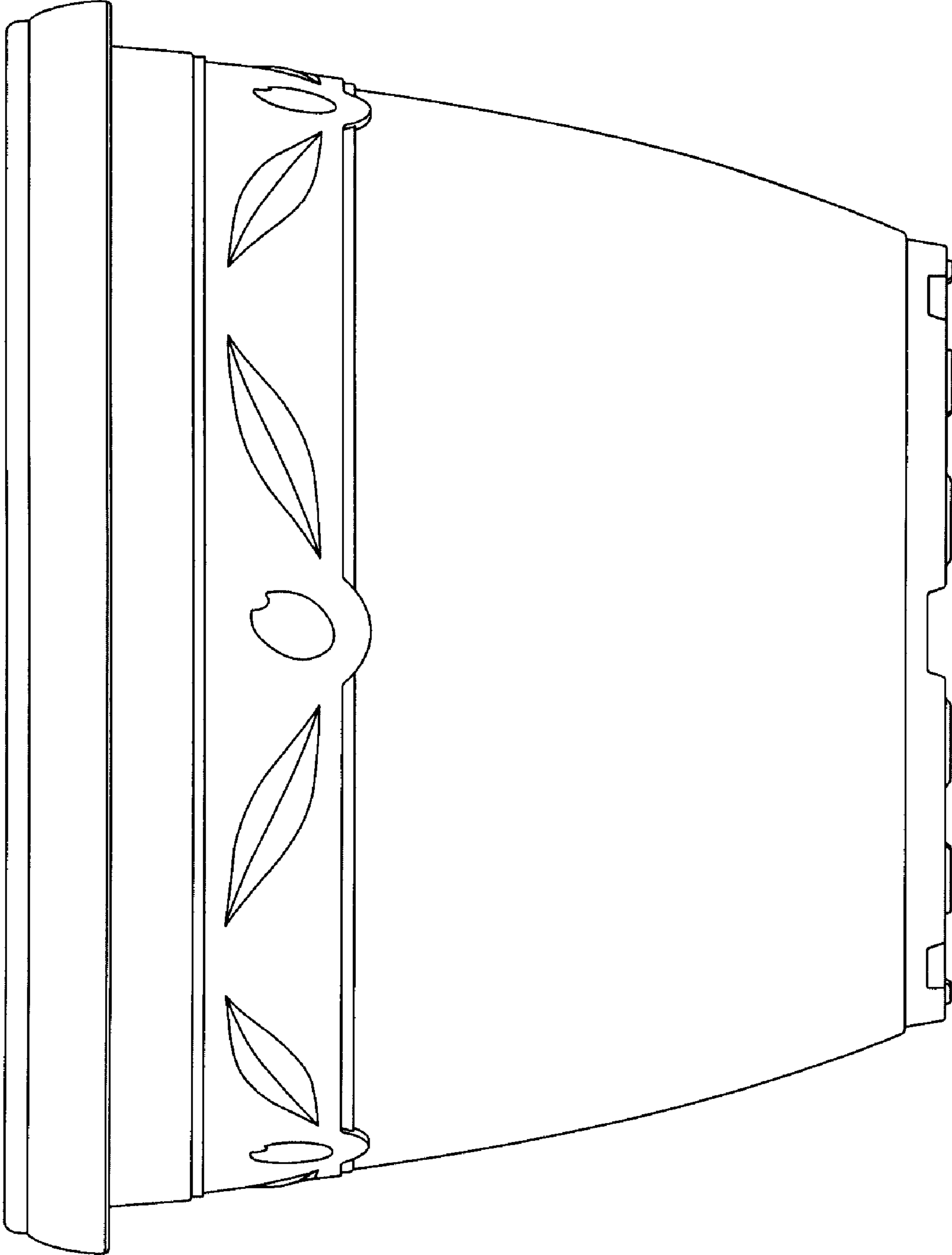
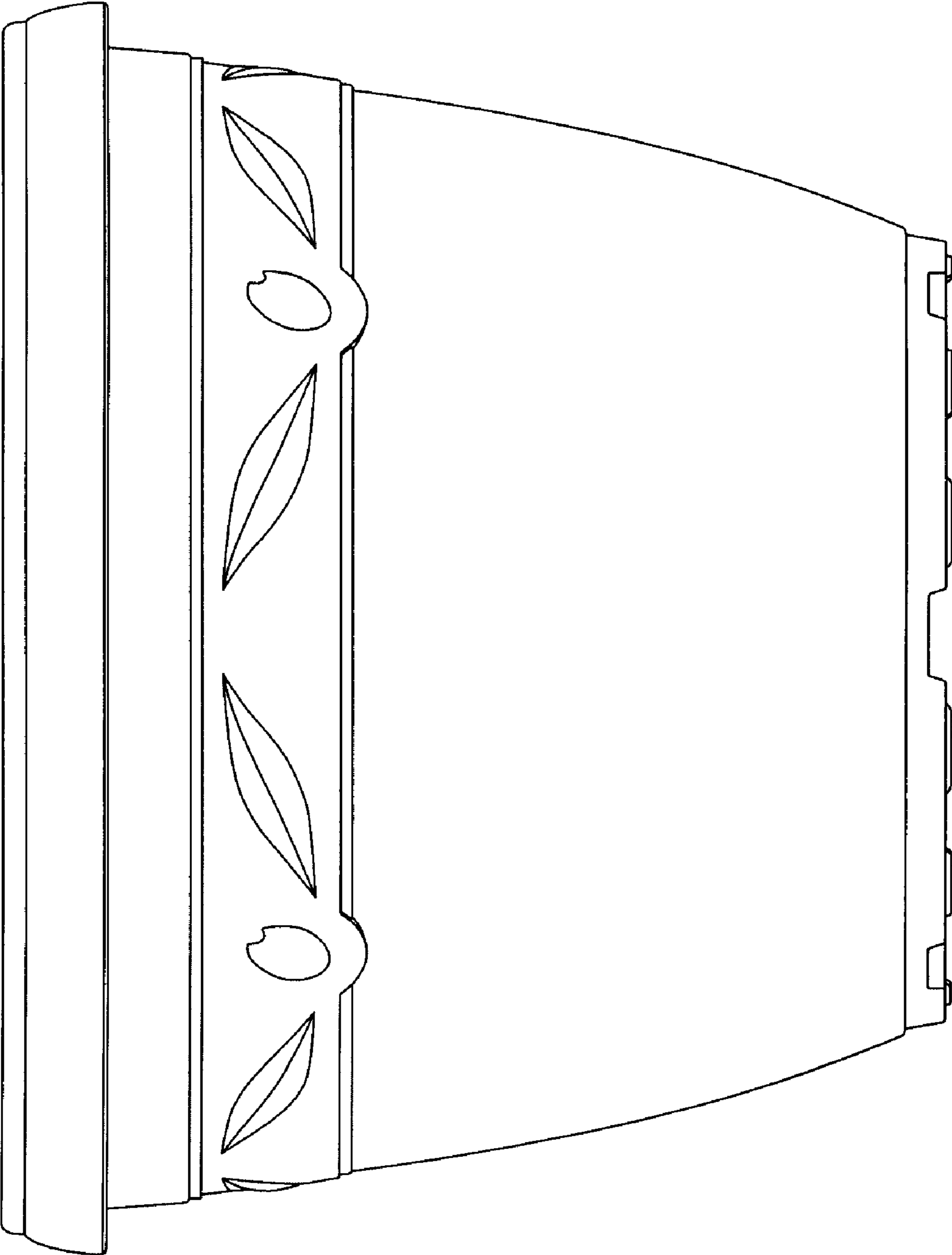
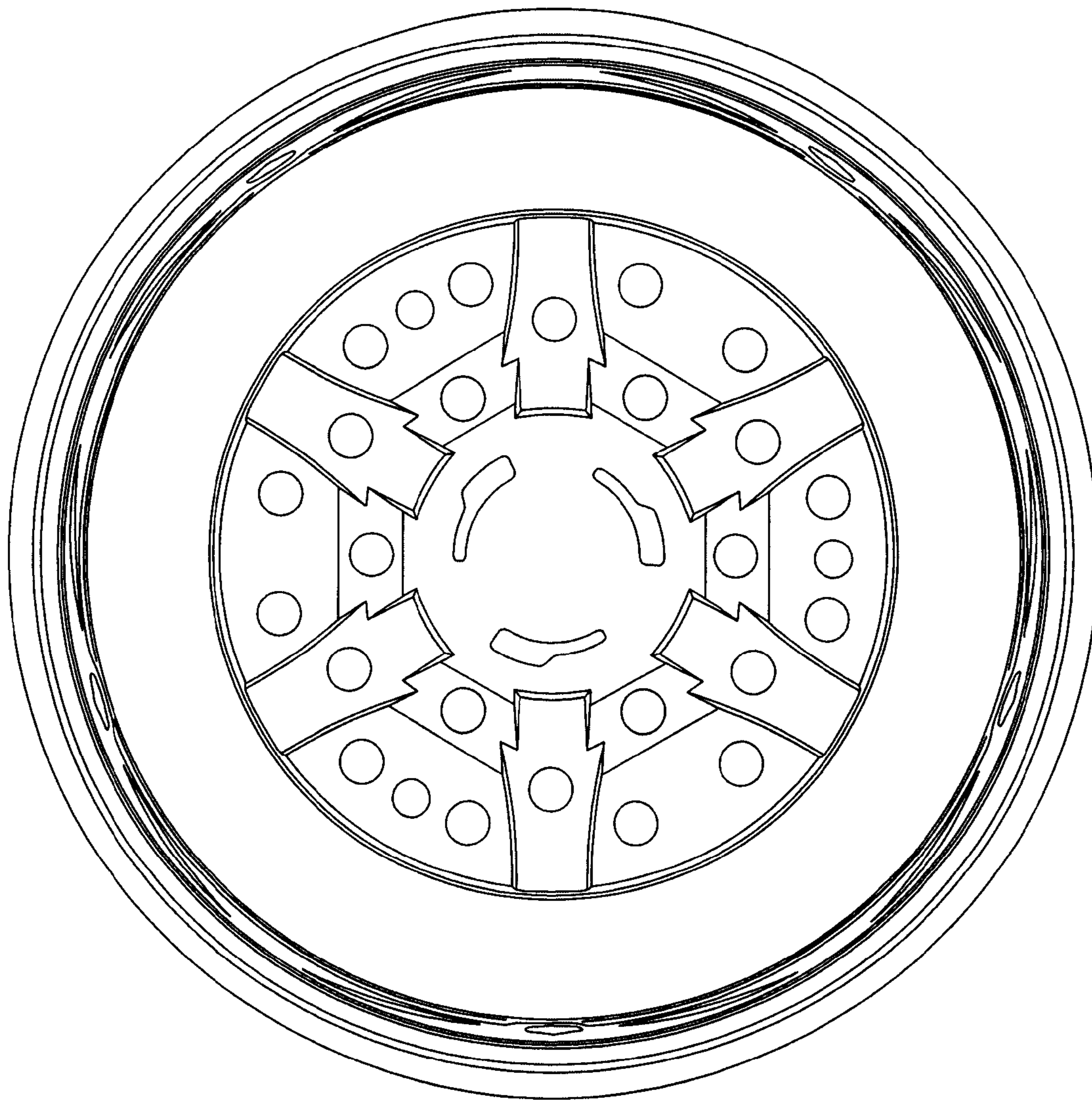


Fig. 2

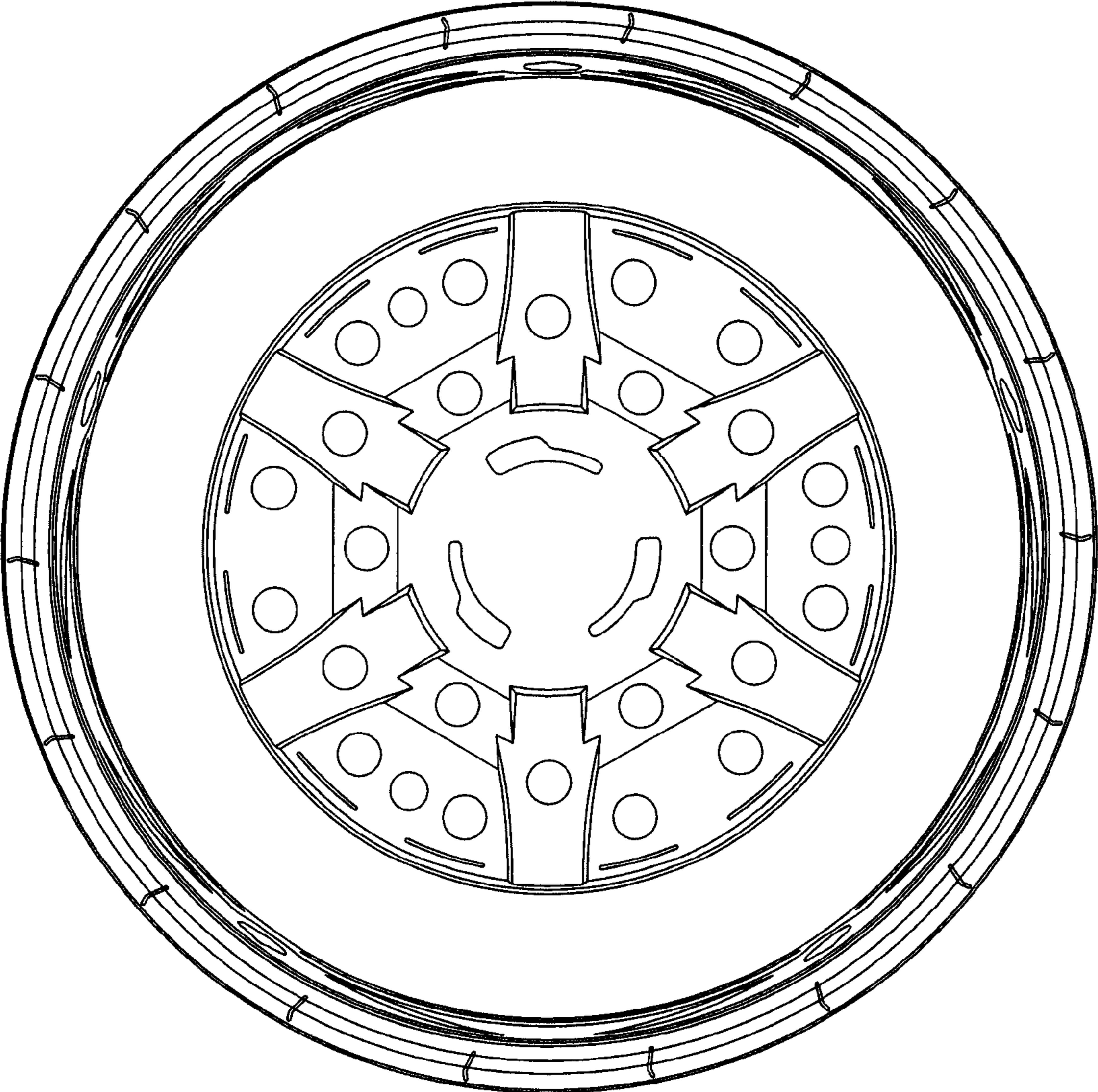


**Fig. 3**



**Fig. 4**





**Fig. 5**



**Fig. 6**

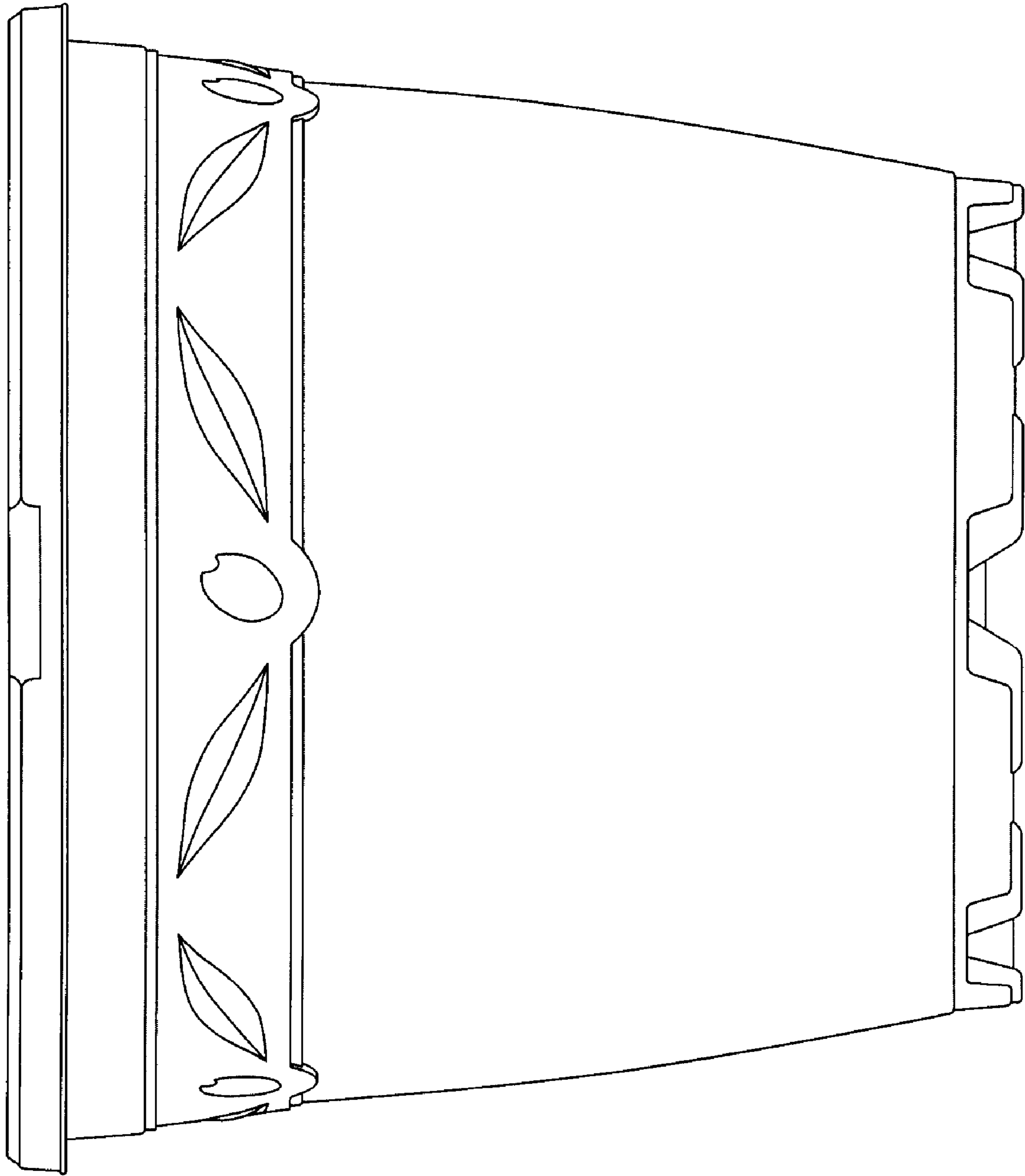
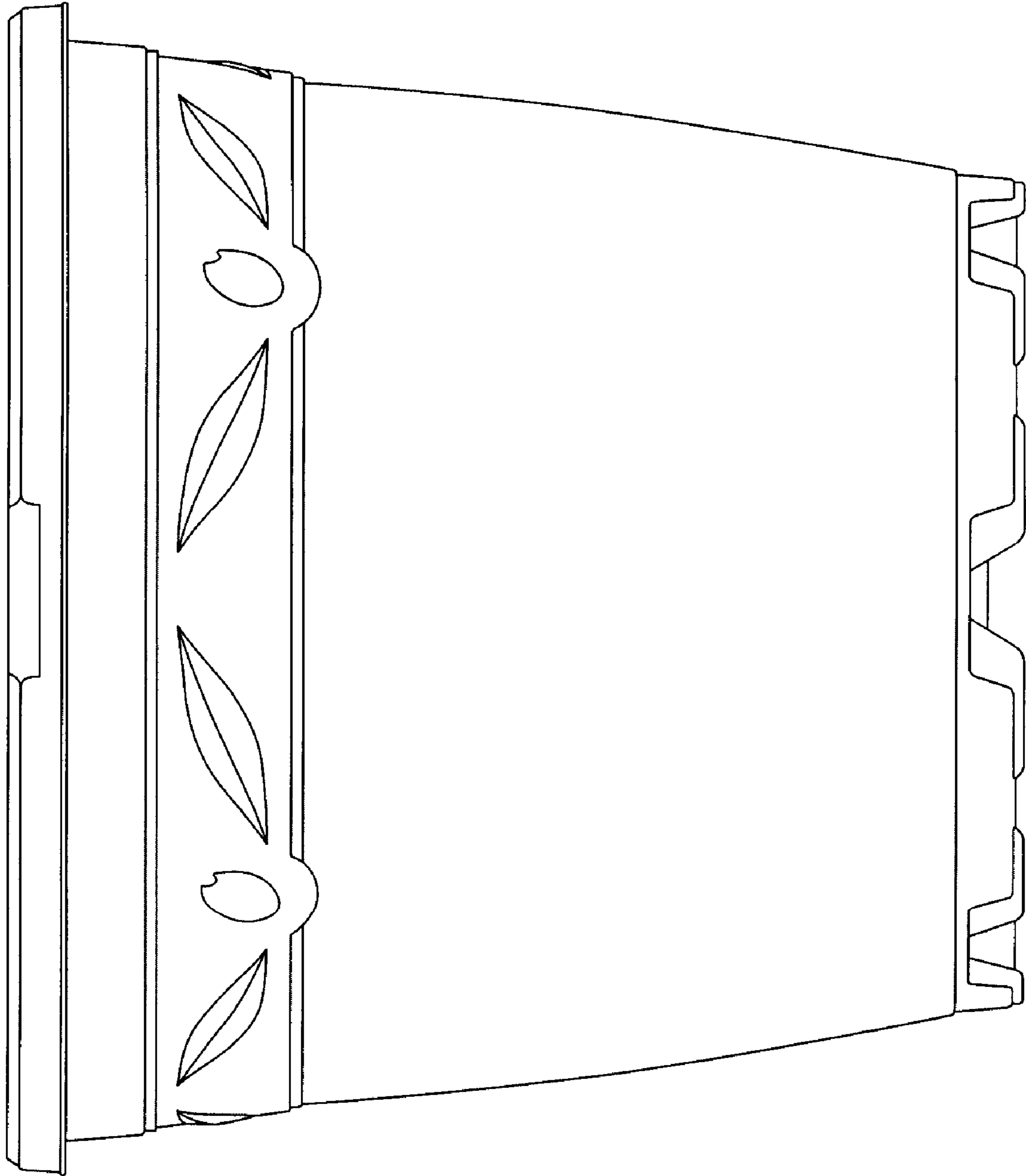
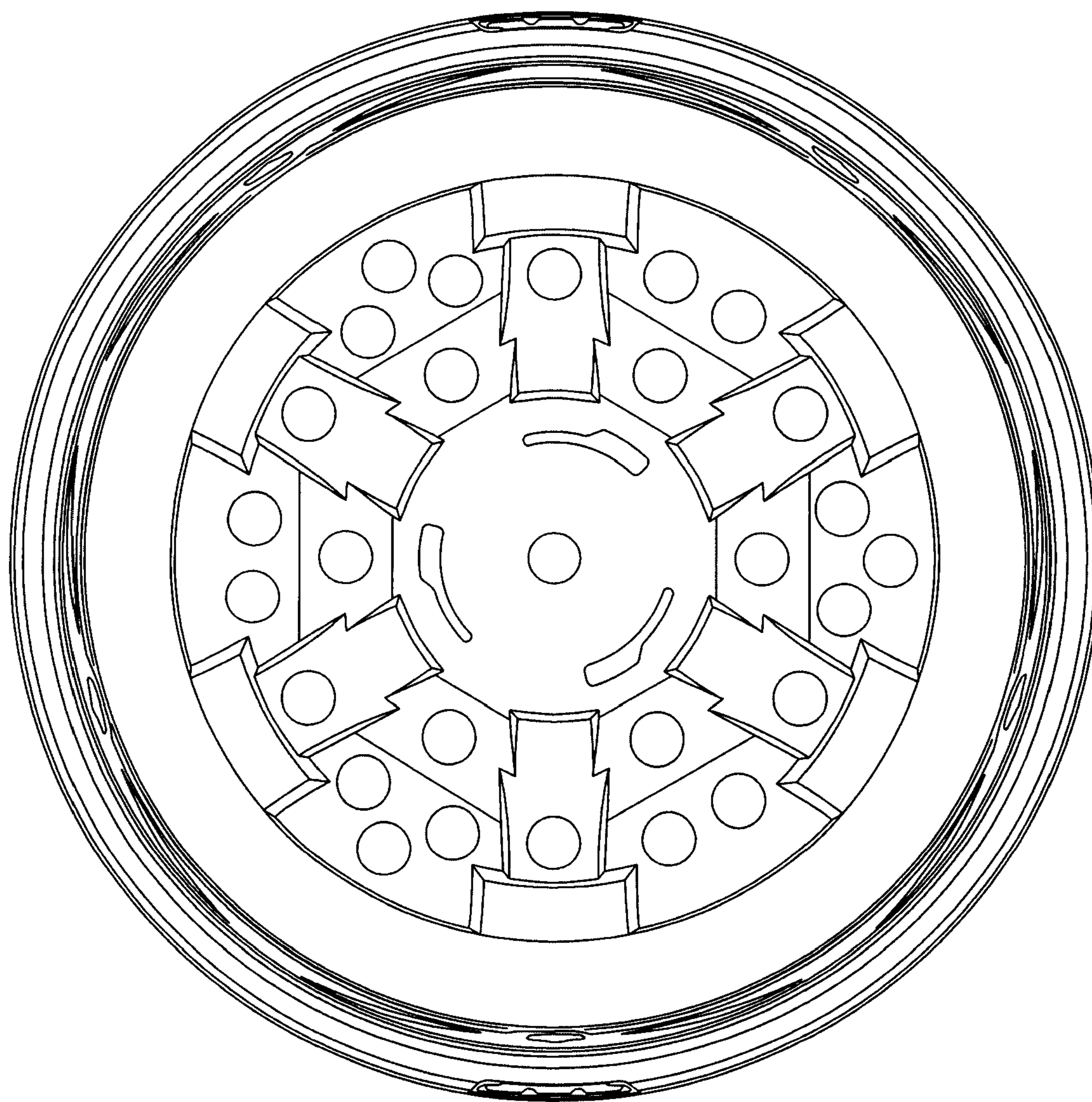


Fig. 7

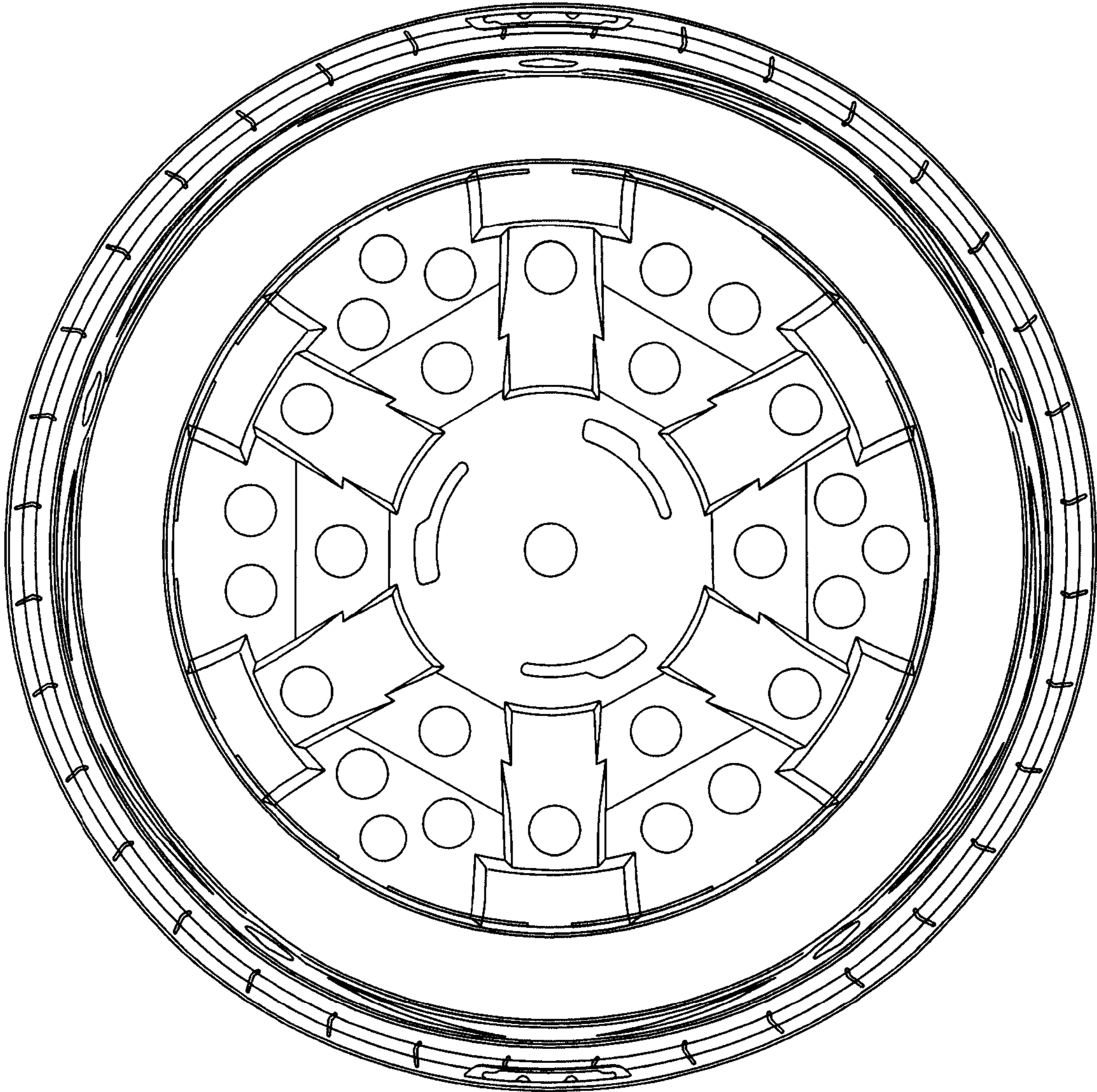




**Fig. 8**



**Fig. 9**



**Fig. 10**