

US00D569759S

(12) **United States Design Patent**
Akdemir

(10) **Patent No.:** **US D569,759 S**

(45) **Date of Patent:** **** May 27, 2008**

(54) **CUT GEMSTONE MOUNT**

(76) **Inventor:** **Eddie Edip Akdemir**, 1 Executive Dr.,
#365, Fort Lee, NJ (US) 07024

(**) **Term:** **14 Years**

(21) **Appl. No.:** **29/291,657**

(22) **Filed:** **Sep. 7, 2007**

(51) **LOC (8) Cl.** **11-01**

(52) **U.S. Cl.** **D11/92**

(58) **Field of Classification Search** D11/91,
D11/89, 90, 92, 93, 1, 2, 6-12, 16, 24-28,
D11/34-43, 79, 70, 222, 47, 75; 63/1.11-14.1,
63/13, 15-15.4, 20, 22, 23, 26-33
See application file for complete search history.

(56) **References Cited**

U.S. PATENT DOCUMENTS

2,035,244	A *	3/1936	Pejchar	63/26
D272,238	S *	1/1984	Liebrick et al.	D11/92
D277,085	S *	1/1985	Liebrick et al.	D11/92
D420,936	S *	2/2000	Murray	D11/92
6,038,751	A *	3/2000	Butler	63/27
6,389,846	B1 *	5/2002	Siebenberg	63/26
6,442,971	B1 *	9/2002	Gurevich	63/28
D473,812	S *	4/2003	Itzkowitz	D11/36

D477,243	S *	7/2003	Benderly	D11/91
6,634,184	B2 *	10/2003	Feldman	63/26
D504,348	S *	4/2005	Kothari	D11/91
D505,092	S *	5/2005	Kothari	D11/91
D505,093	S *	5/2005	Kothari	D11/91
D543,894	S	6/2007	Akdemir		

* cited by examiner

Primary Examiner—Louis S Zarfaz

Assistant Examiner—David G Muller

(74) *Attorney, Agent, or Firm*—B² patent Services; Robert L. Billmers; Joanne M. Billmers

(57) **CLAIM**

The ornamental design for a cut gemstone mount, as shown and described.

DESCRIPTION

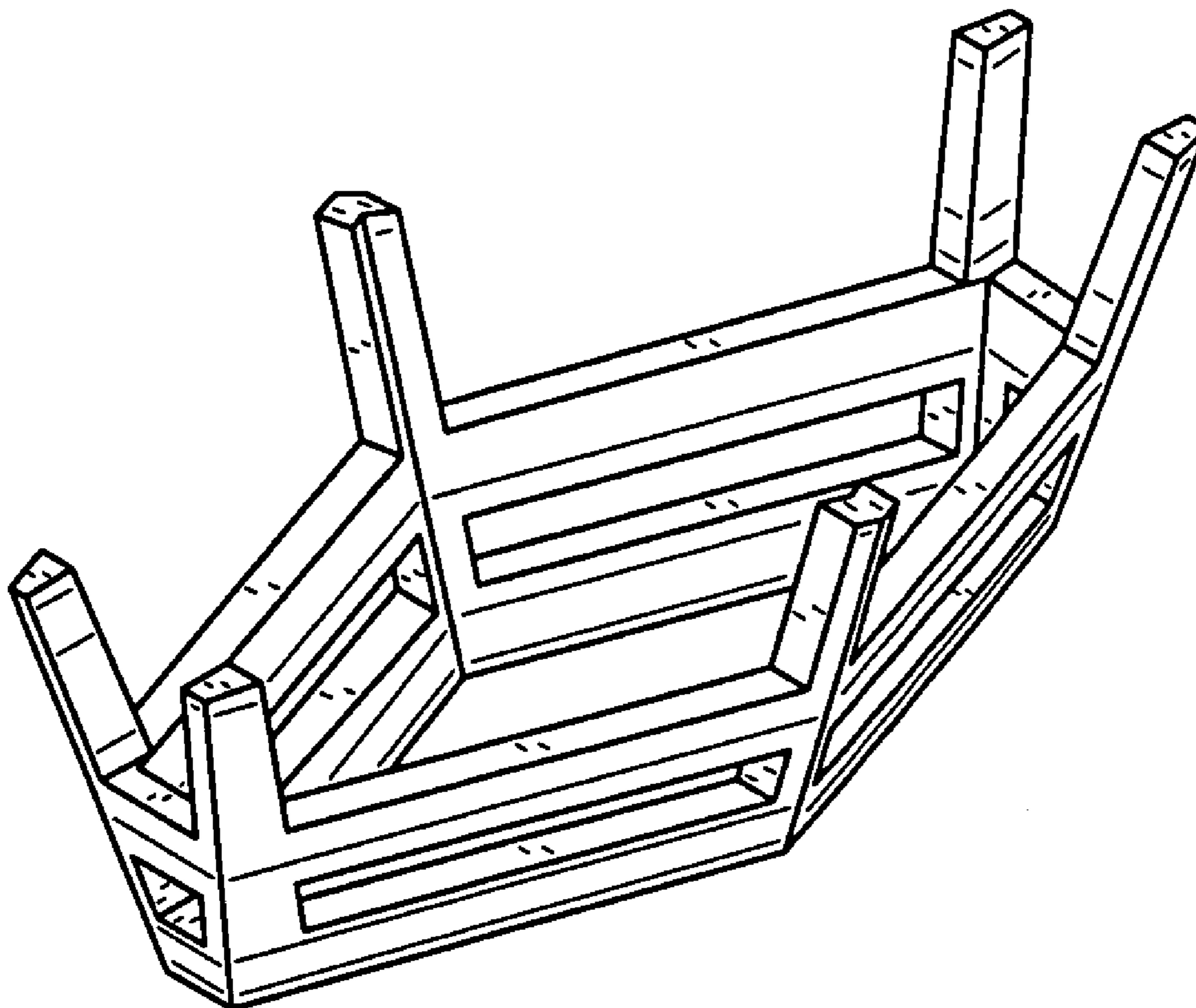
FIG. 1 is a top view of my new design;

FIG. 2 is a perspective view thereof;

FIG. 3 is a short side view of my invention; the other side is a mirror image of this side; and,

FIG. 4 is a long side view of my invention; the other side is a mirror view of this side.

1 Claim, 1 Drawing Sheet



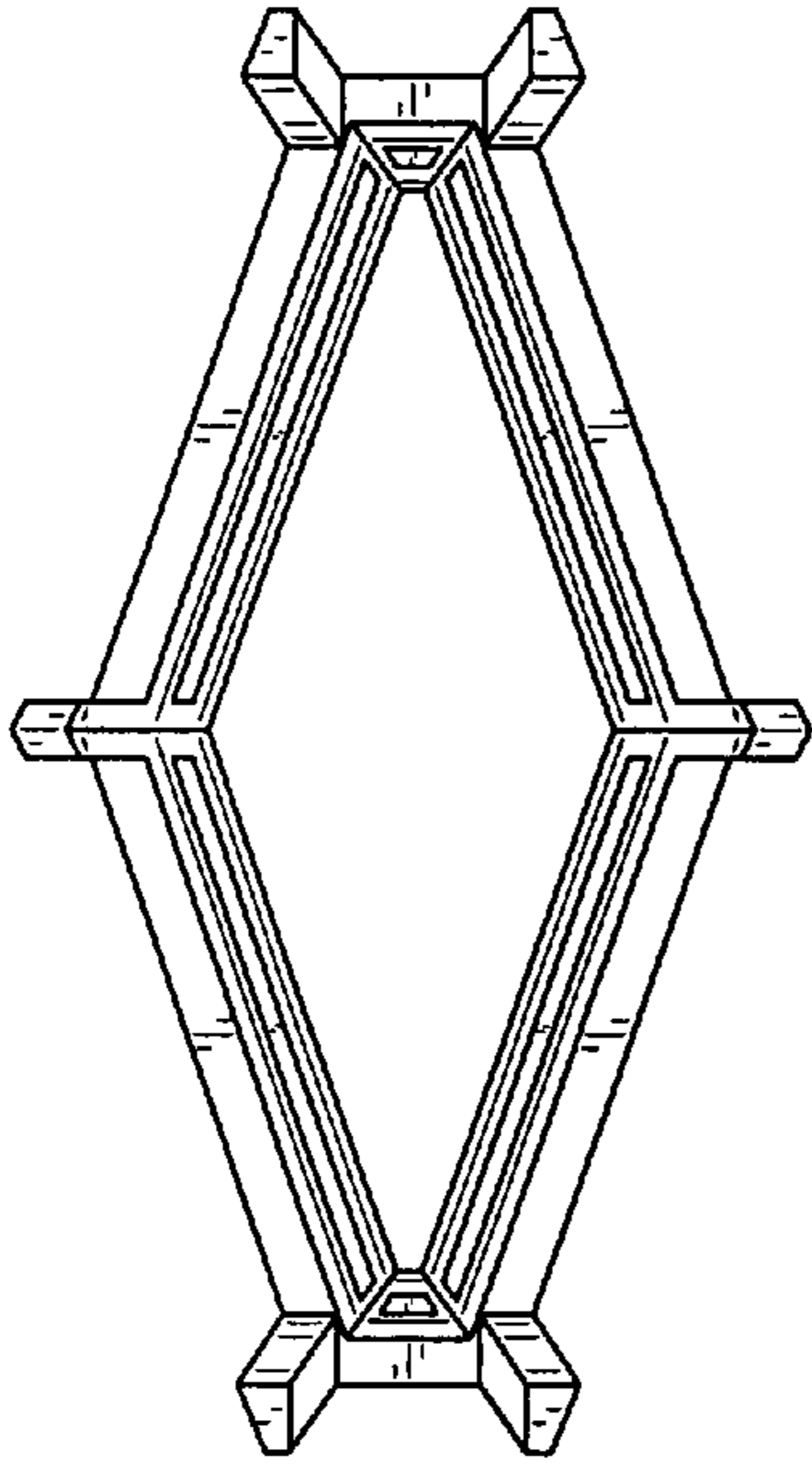


FIG. 1

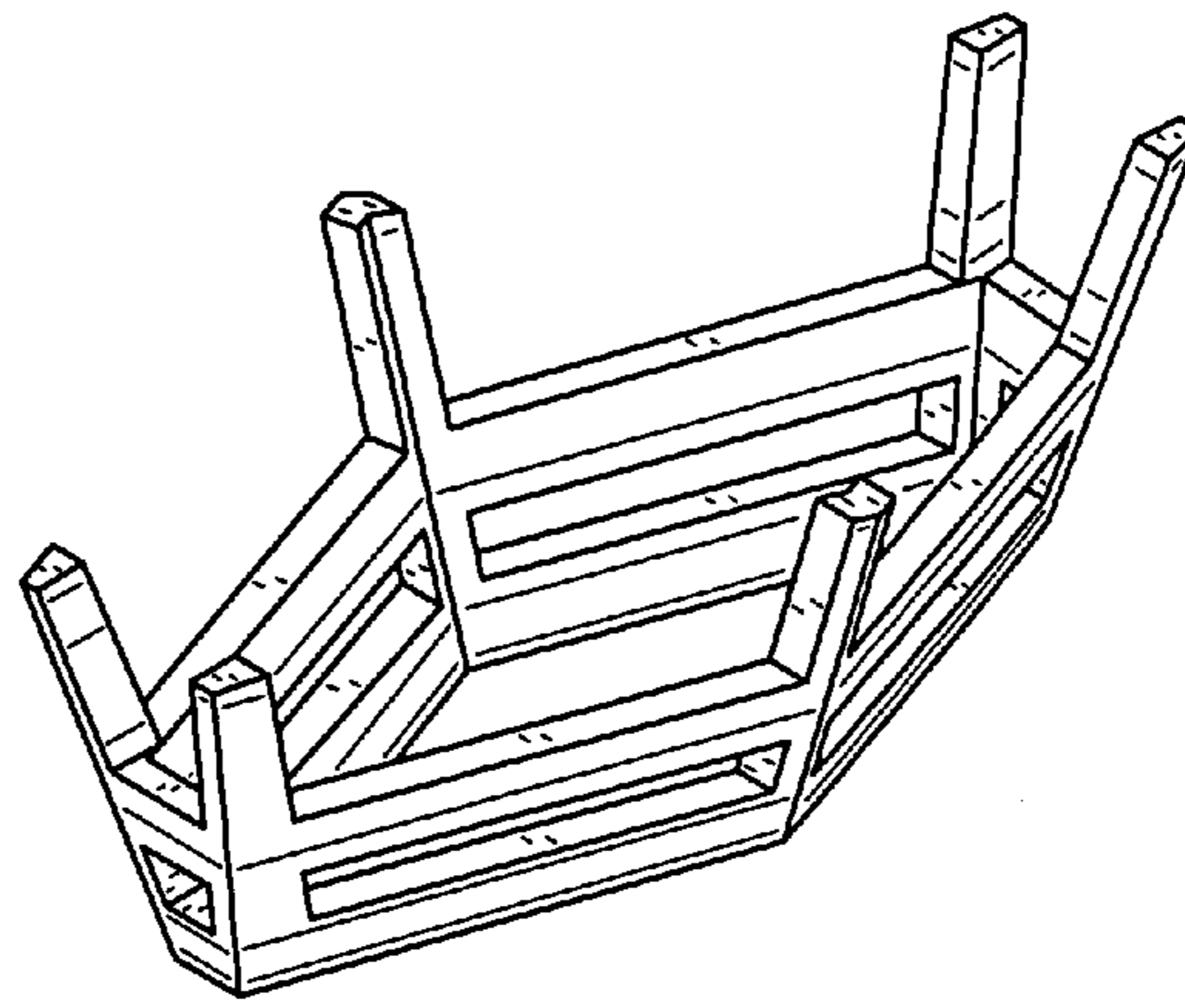


FIG. 2

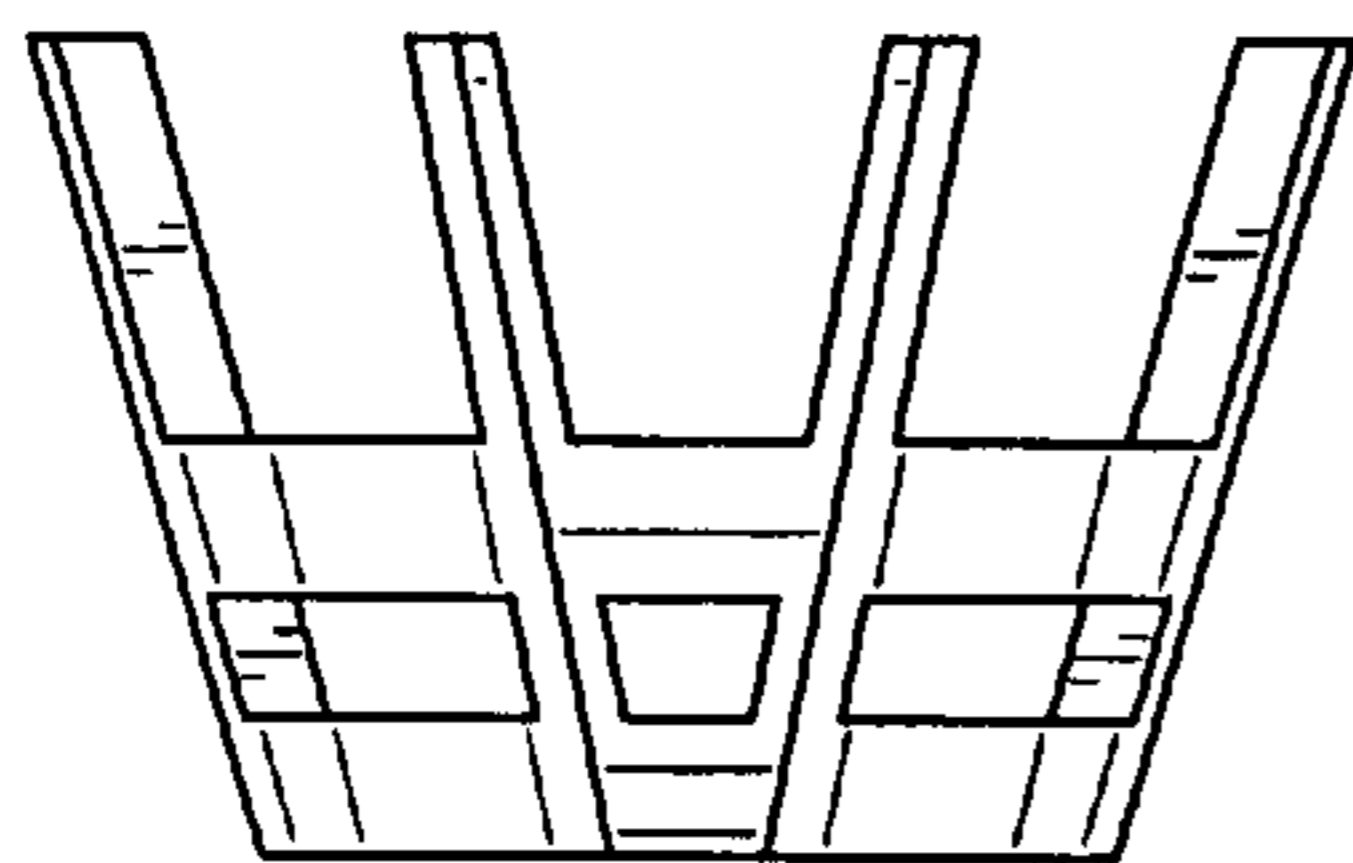


FIG. 3

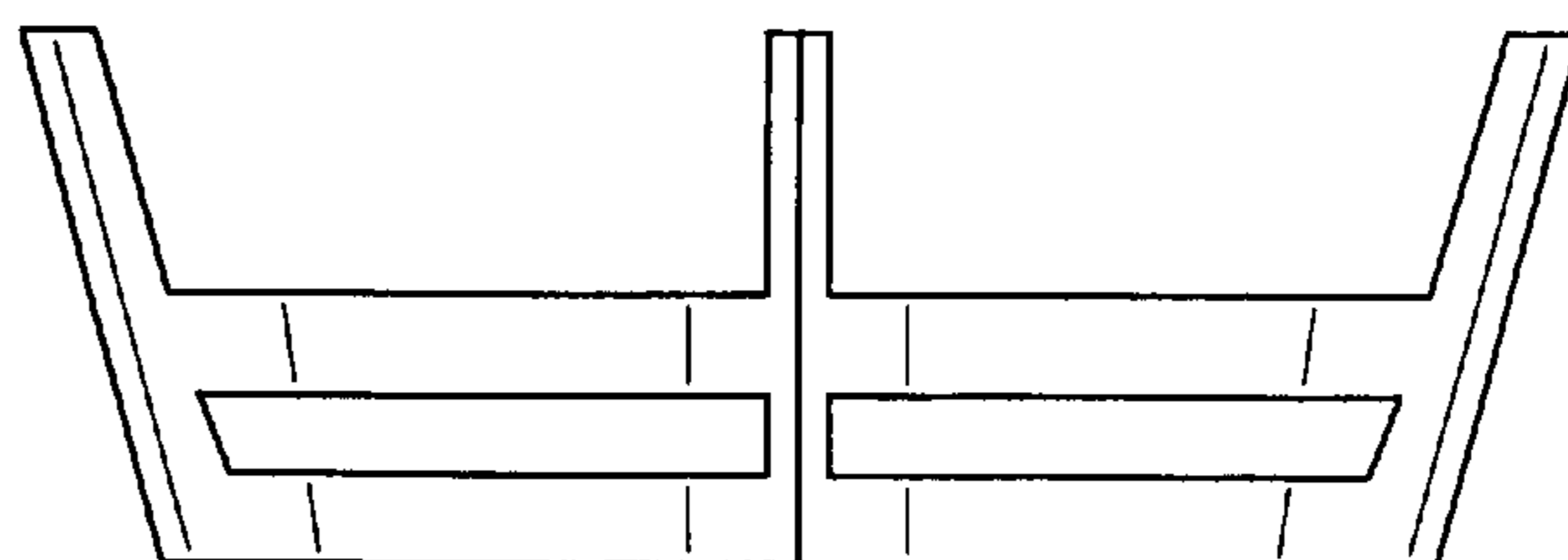


FIG. 4