

US00D569755S

(12) **United States Design Patent**
Humble et al.

(10) **Patent No.:** **US D569,755 S**

(45) **Date of Patent:** **** May 27, 2008**

(54) **ROADSIDE WARNING FLASHER**

(75) Inventors: **Douglas C. Humble**, Monterey, CA (US); **Matthew C. Grant**, Walnut, CA (US)

(73) Assignee: **Xing Gung Manufacturing USA Inc.**, City of Industry, CA (US)

(**) Term: **14 Years**

(21) Appl. No.: **29/283,303**

(22) Filed: **Aug. 10, 2007**

(51) **LOC (8) Cl.** **10-05**

(52) **U.S. Cl.** **D10/114; D10/113**

(58) **Field of Classification Search** D10/109-114; D26/72, 85; 404/9-16; 359/530, 531, 547
See application file for complete search history.

(56) **References Cited**

U.S. PATENT DOCUMENTS

D349,467 S *	8/1994	Halaby	D10/114
D352,915 S *	11/1994	Wang	D10/114
D388,353 S *	12/1997	Desborough et al.	D10/113
D391,881 S *	3/1998	Youseph	D10/114
D425,223 S	5/2000	Li	
D490,335 S *	5/2004	Attar	D10/113
D492,907 S *	7/2004	Attar	D10/113
D498,164 S *	11/2004	Delich	D10/114
D510,885 S *	10/2005	Dueker et al.	D10/114
D555,025 S *	11/2007	Sasaki et al.	D10/114

* cited by examiner

Primary Examiner—Robert M. Spear

Assistant Examiner—George D Kirschbaum

(74) *Attorney, Agent, or Firm*—Wood, Herron & Evans, LLP

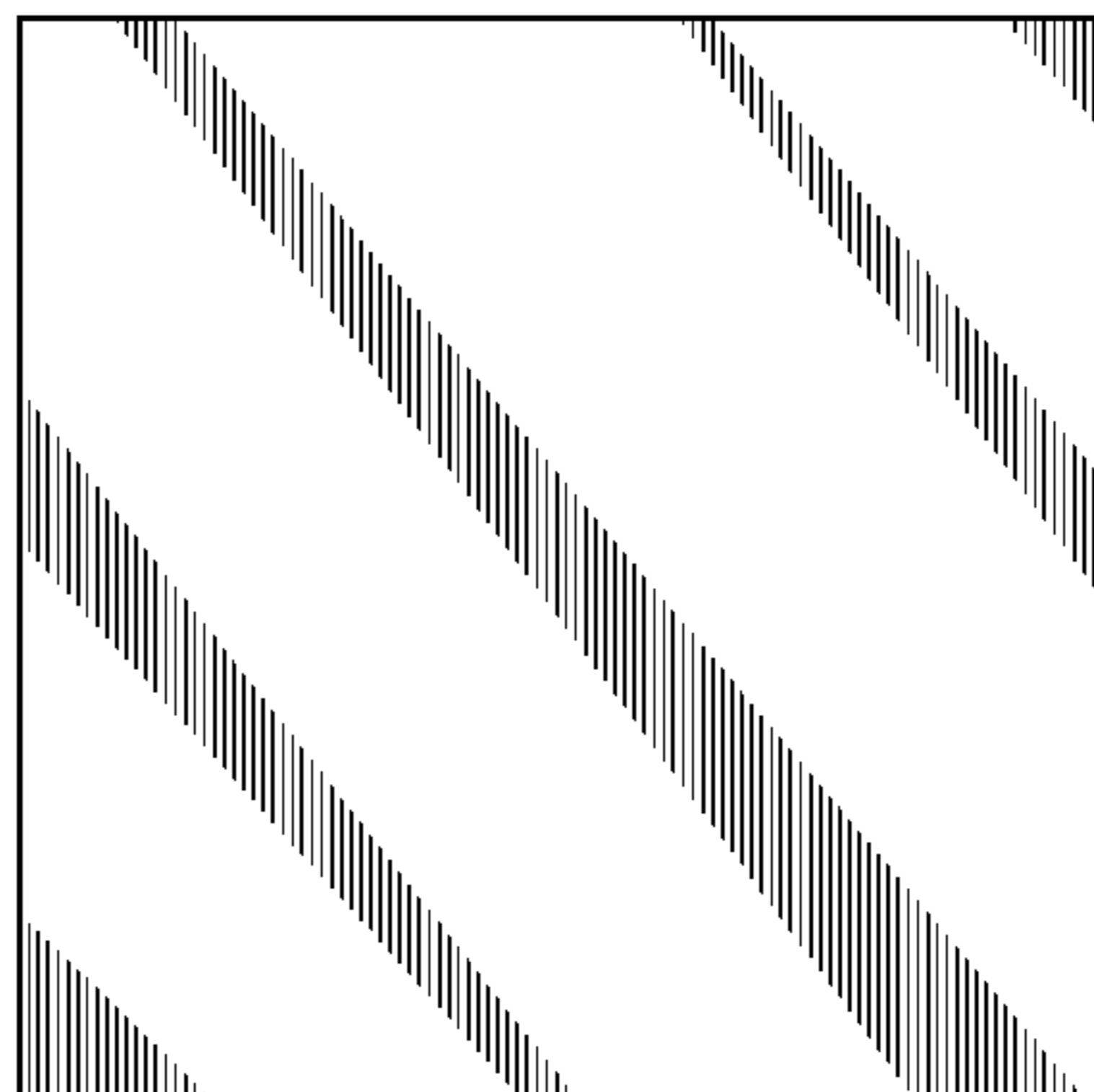
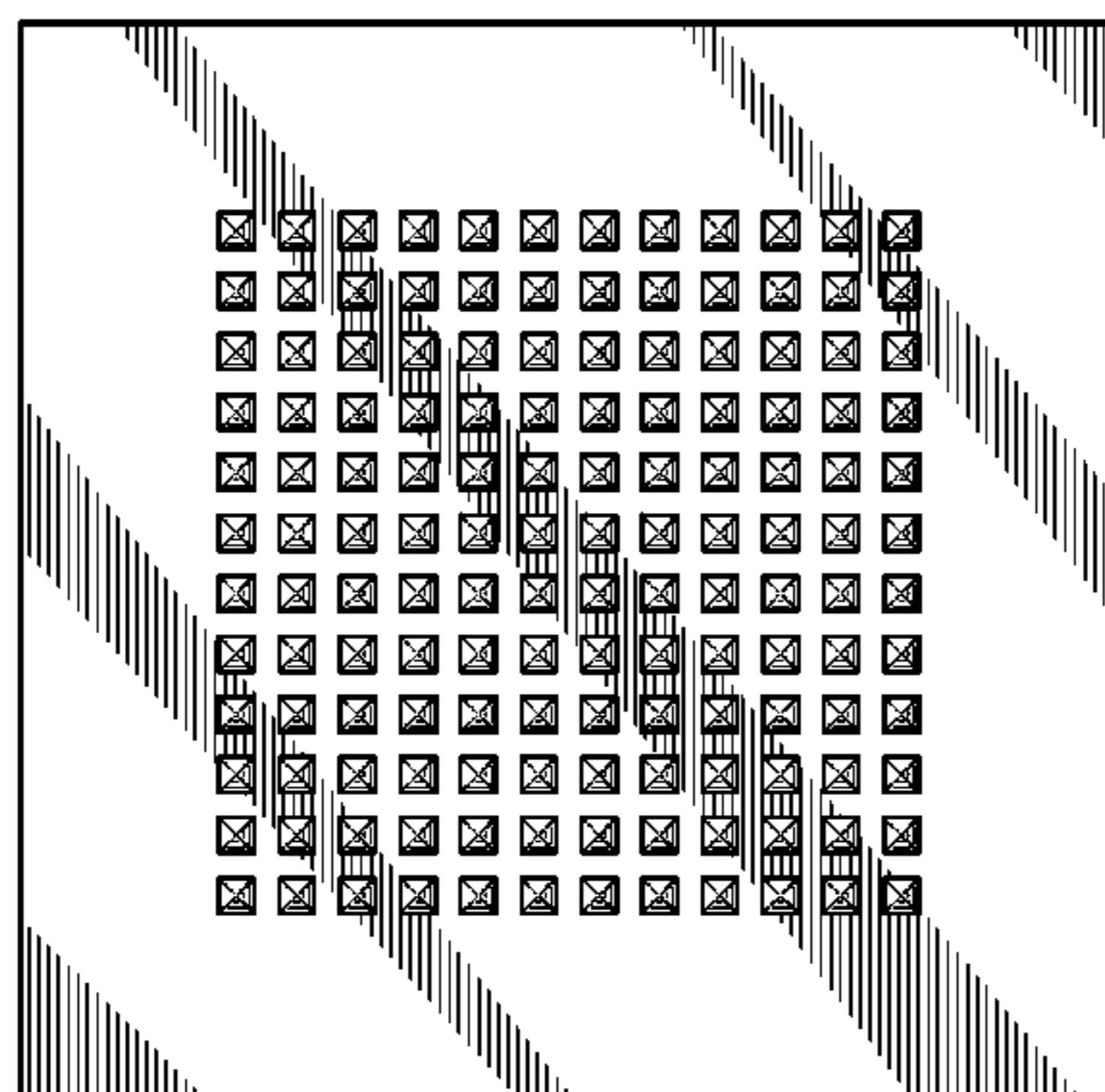
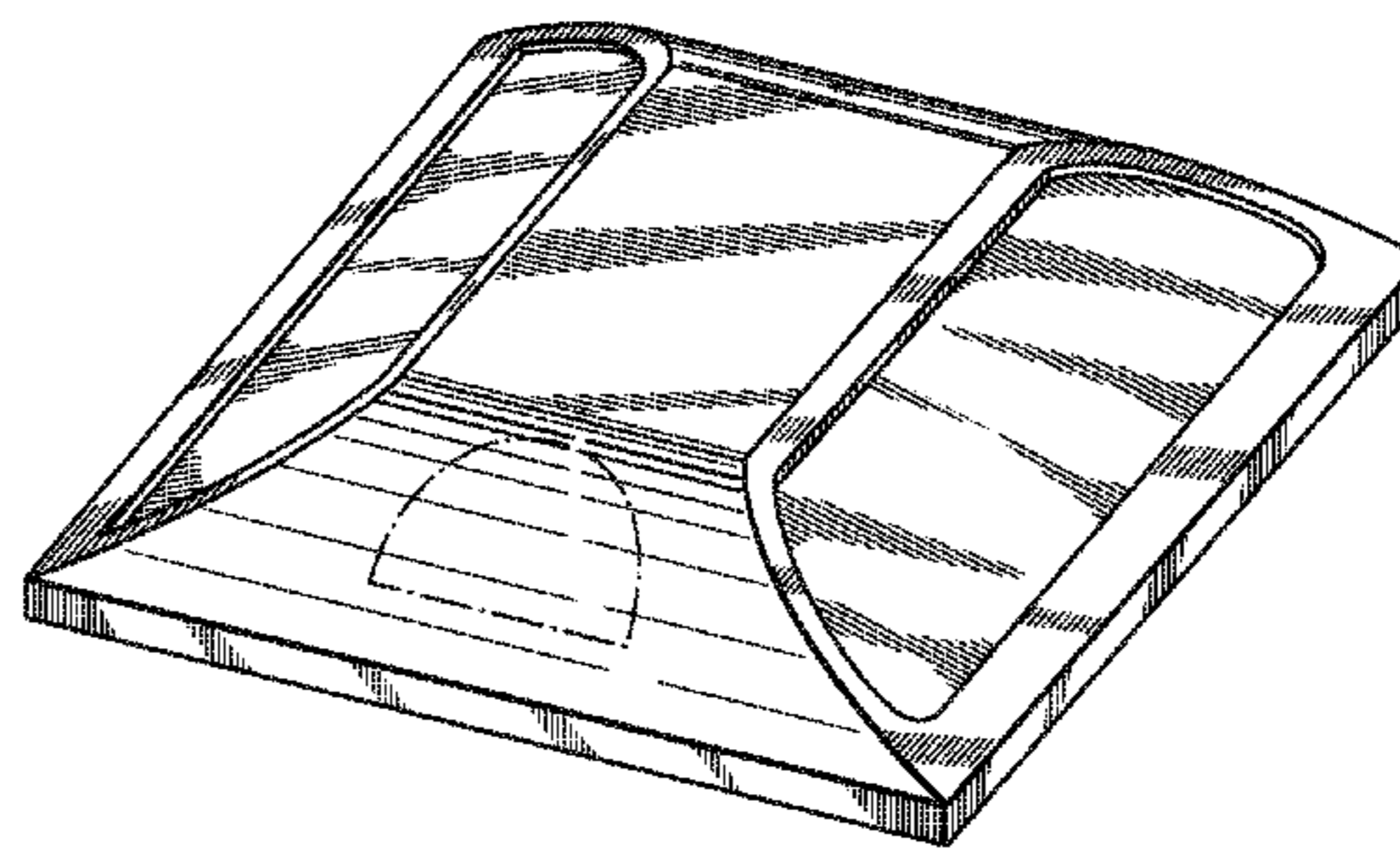
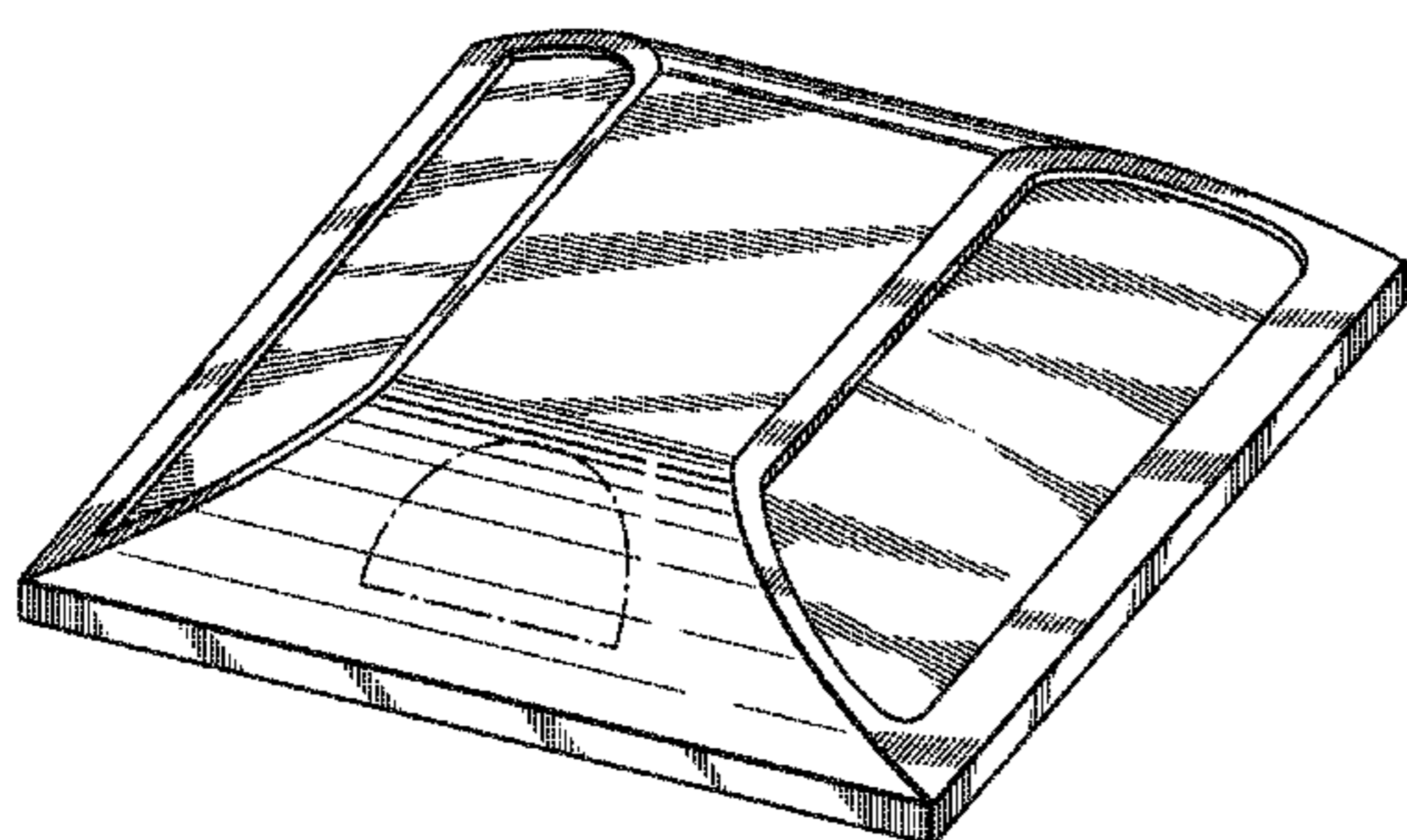
(57) **CLAIM**

The ornamental design for a roadside warning flasher, as shown and described.

DESCRIPTION

FIG. 1 is a perspective of the present invention;
 FIG. 2 is a front view of FIG. 1;
 FIG. 3 is a rear view of FIG. 1;
 FIG. 4 is a left side view of FIG. 1, the right side being a mirror image thereof;
 FIG. 5 is a top view of FIG. 1;
 FIG. 6 is a bottom view of FIG. 1;
 FIG. 7 is a perspective and alternative embodiment of the present invention;
 FIG. 8 is a front view of FIG. 7;
 FIG. 9 is a rear view of FIG. 7;
 FIG. 10 is a left side view of FIG. 7, the right side being a mirror image thereof;
 FIG. 11 is a top view of FIG. 7; and,
 FIG. 12 is a bottom view of FIG. 7.

1 Claim, 4 Drawing Sheets



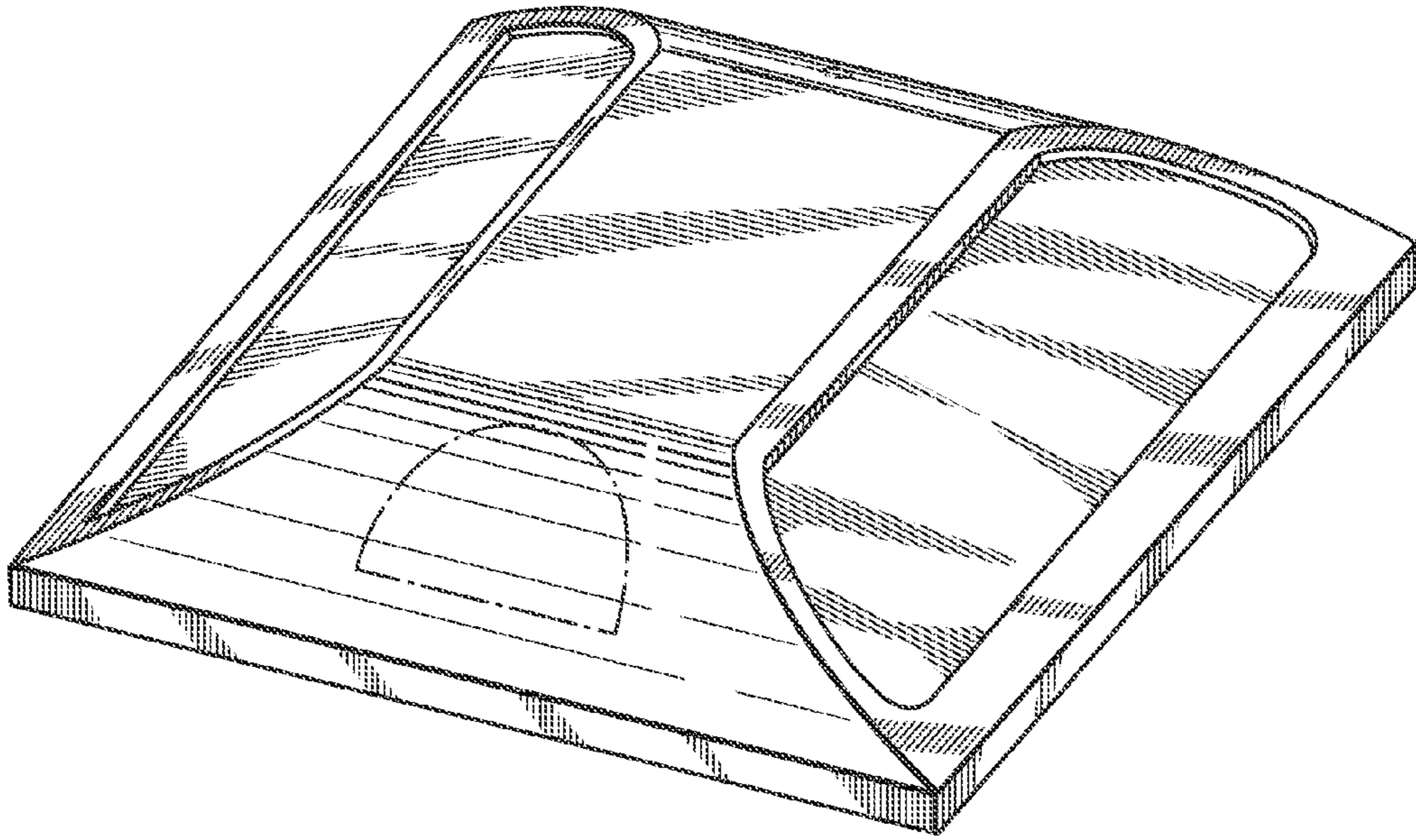


FIG. 1



FIG. 2

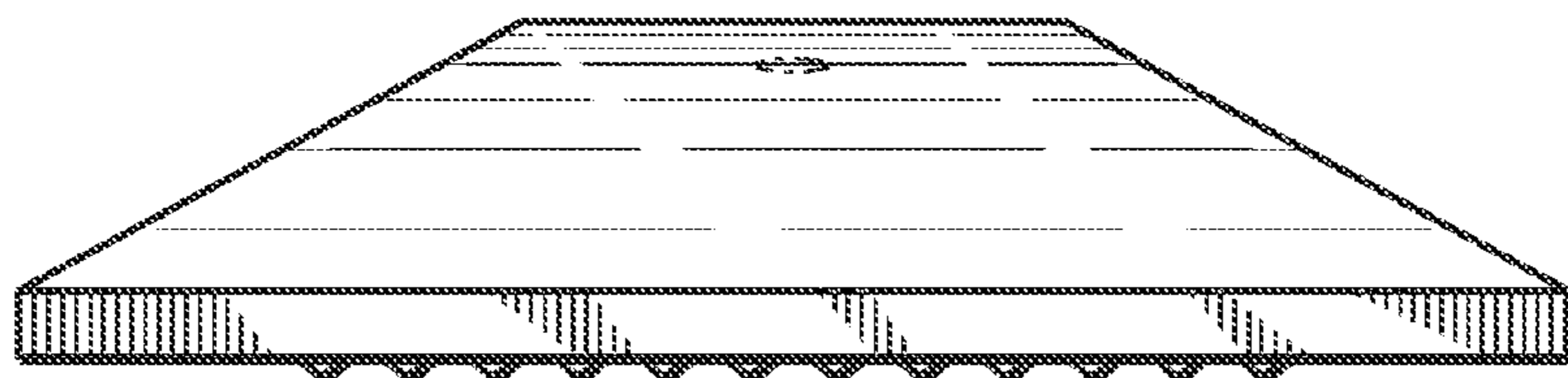


FIG. 3

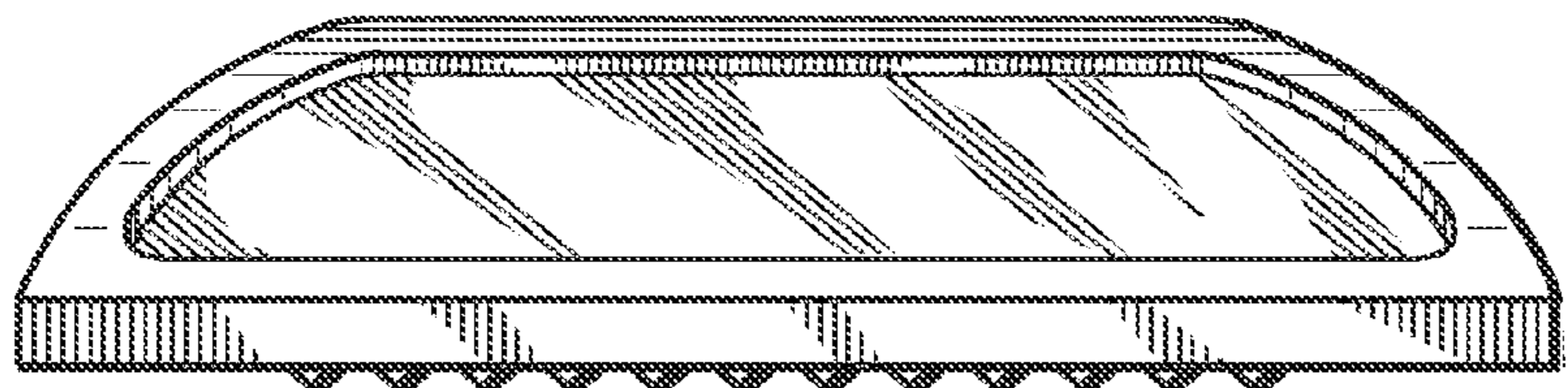


FIG. 4

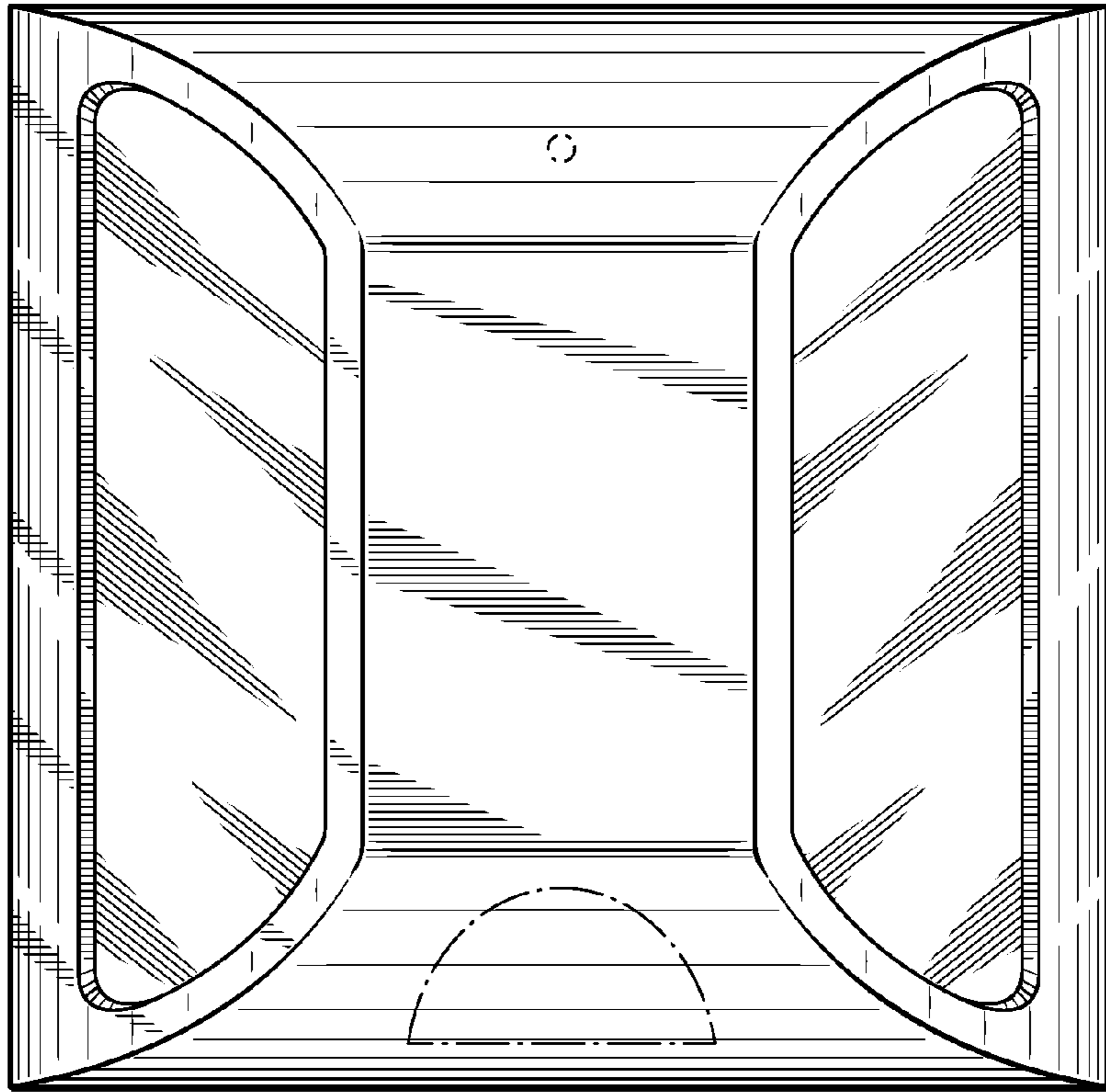


FIG. 5

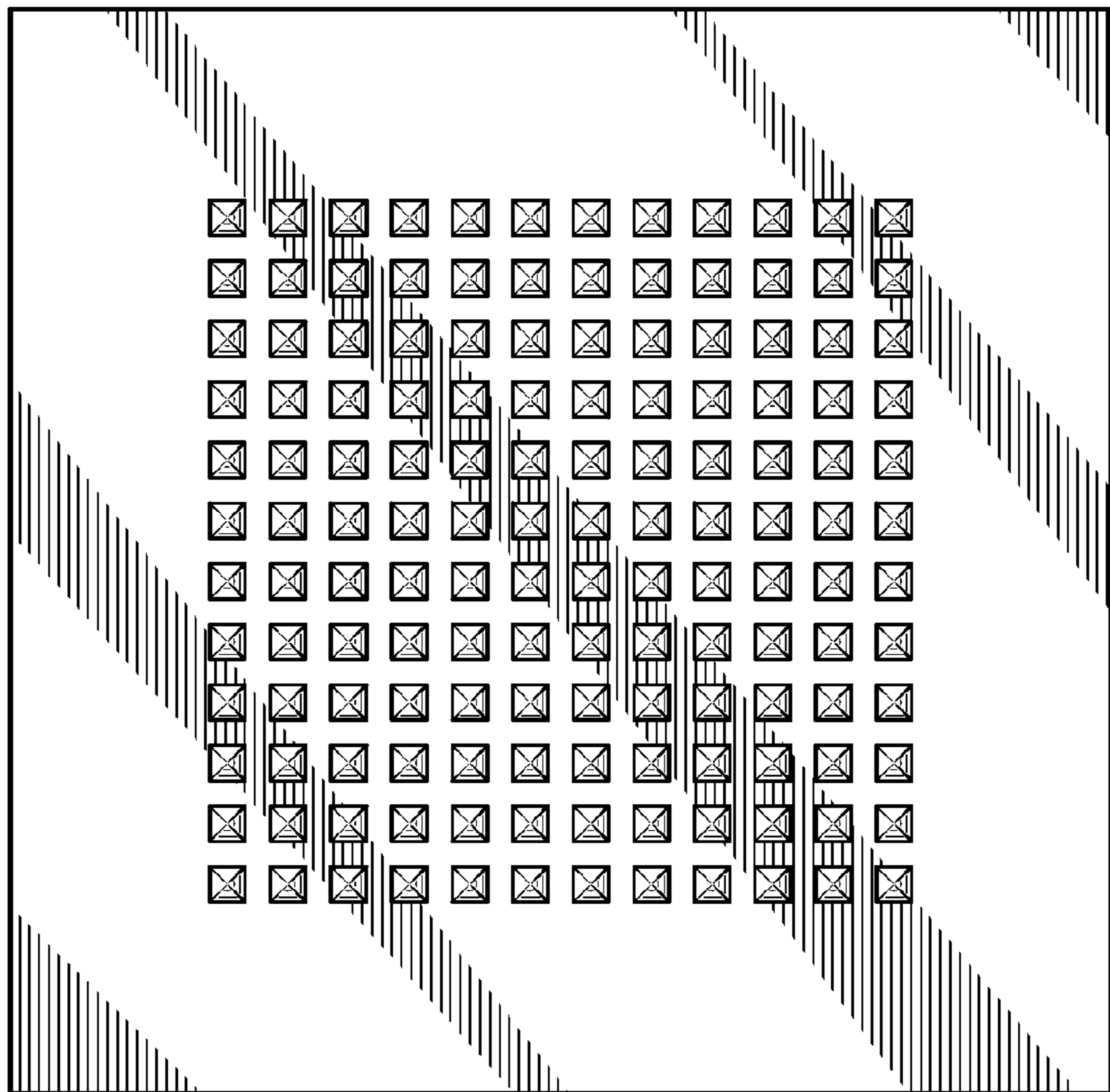


FIG. 6

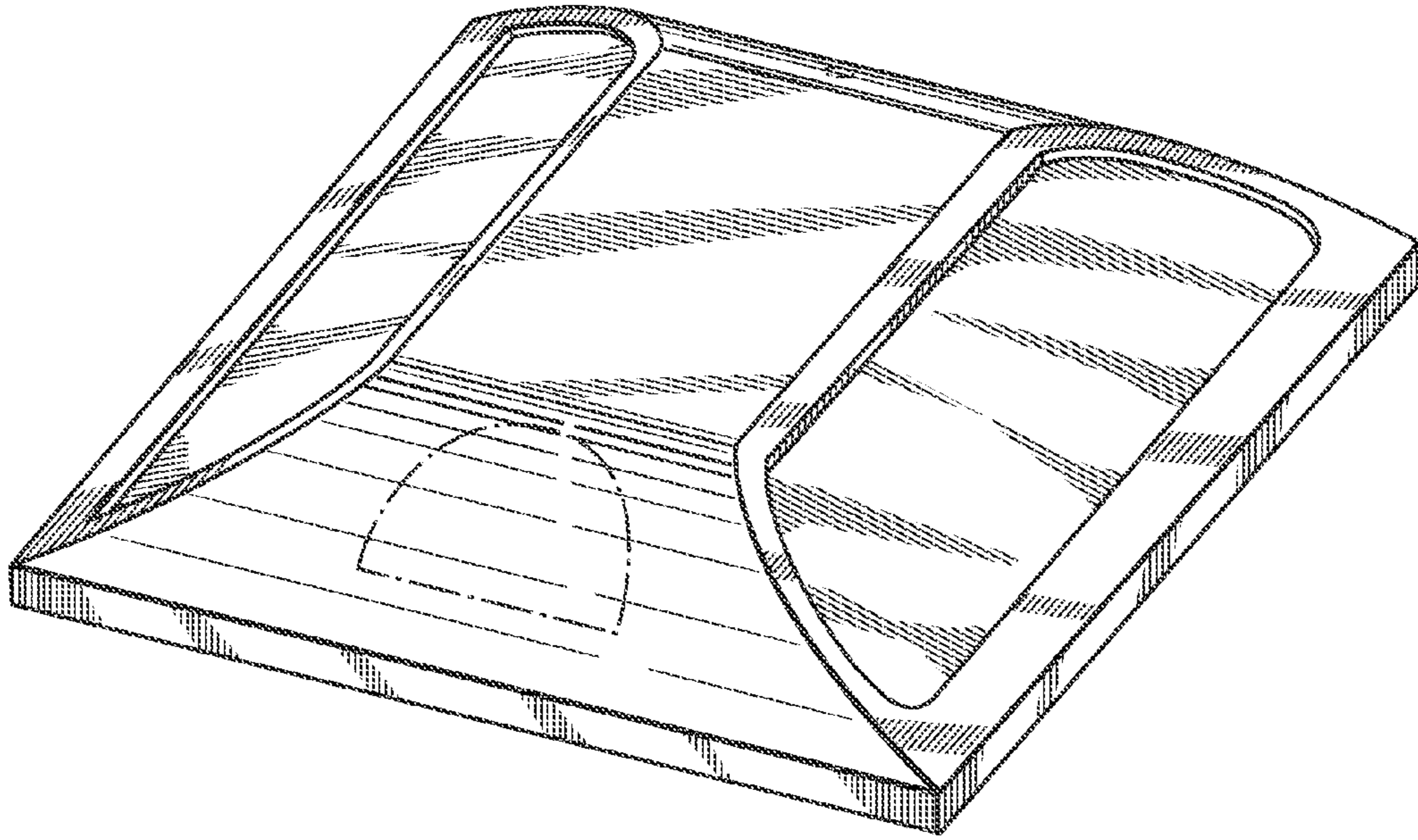


FIG. 7

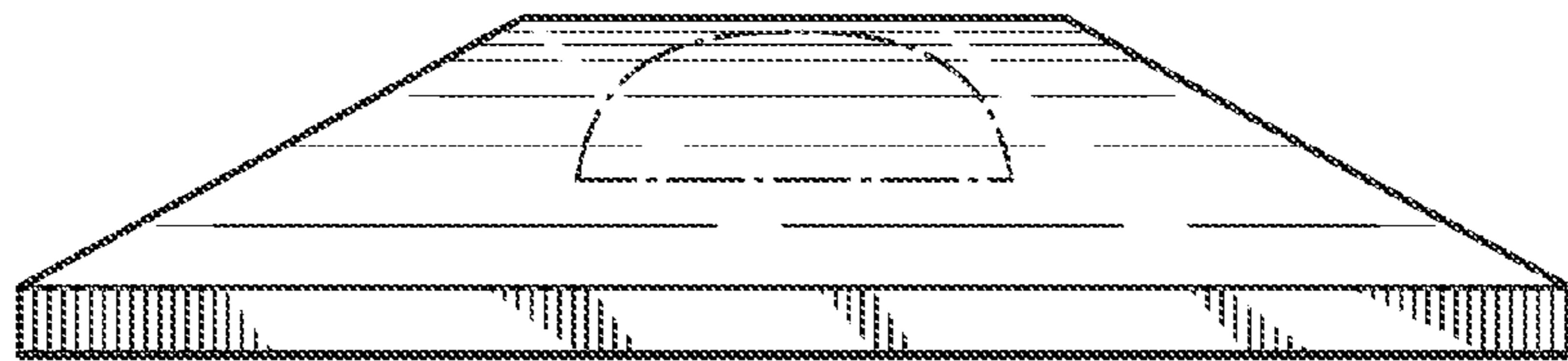


FIG. 8



FIG. 9

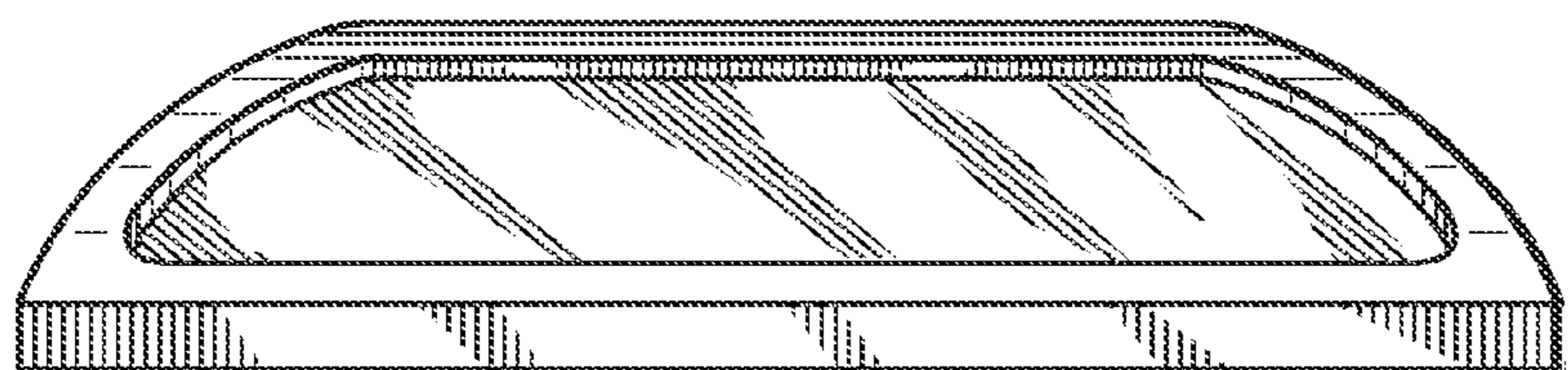


FIG. 10

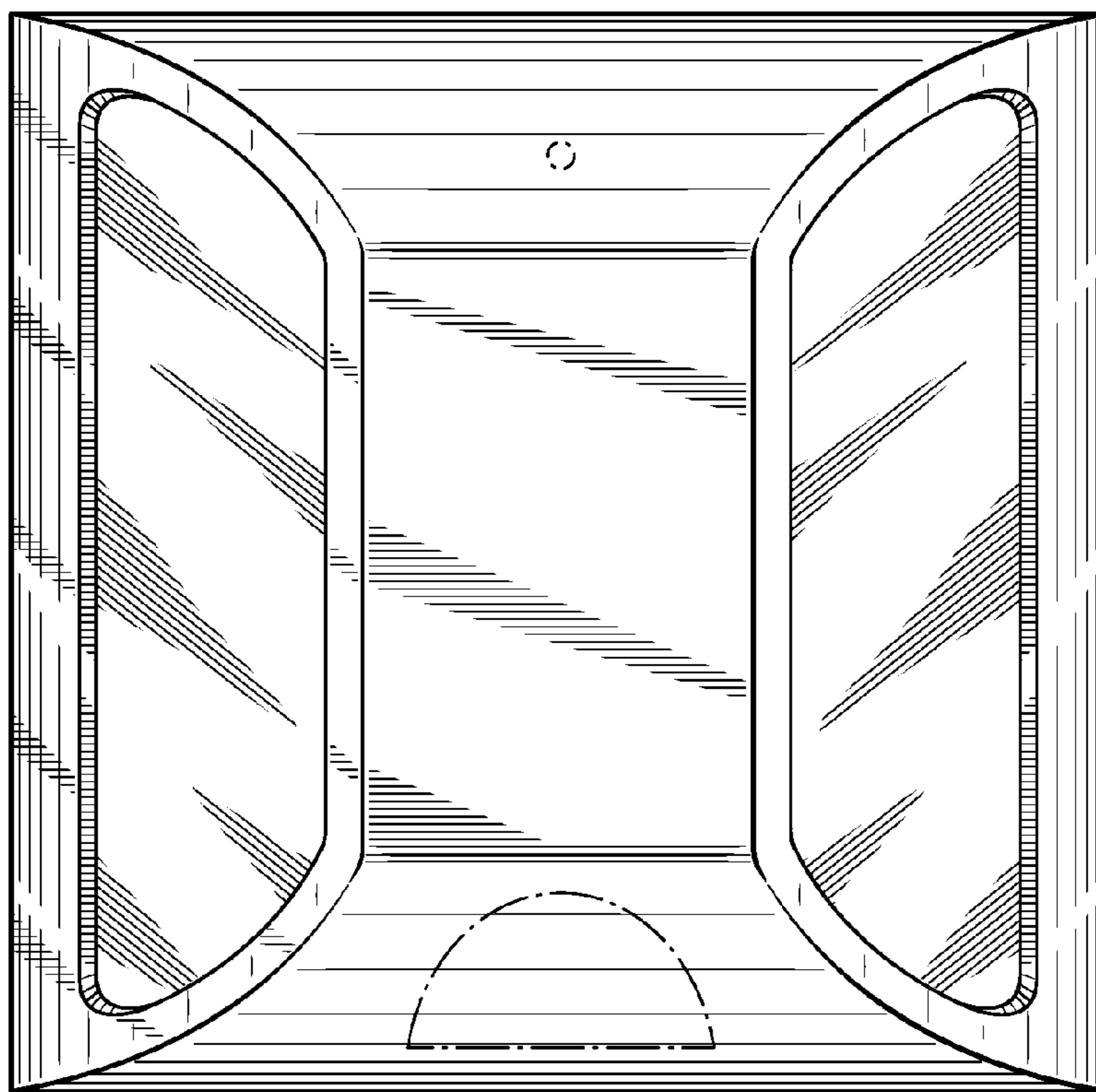


FIG. 11

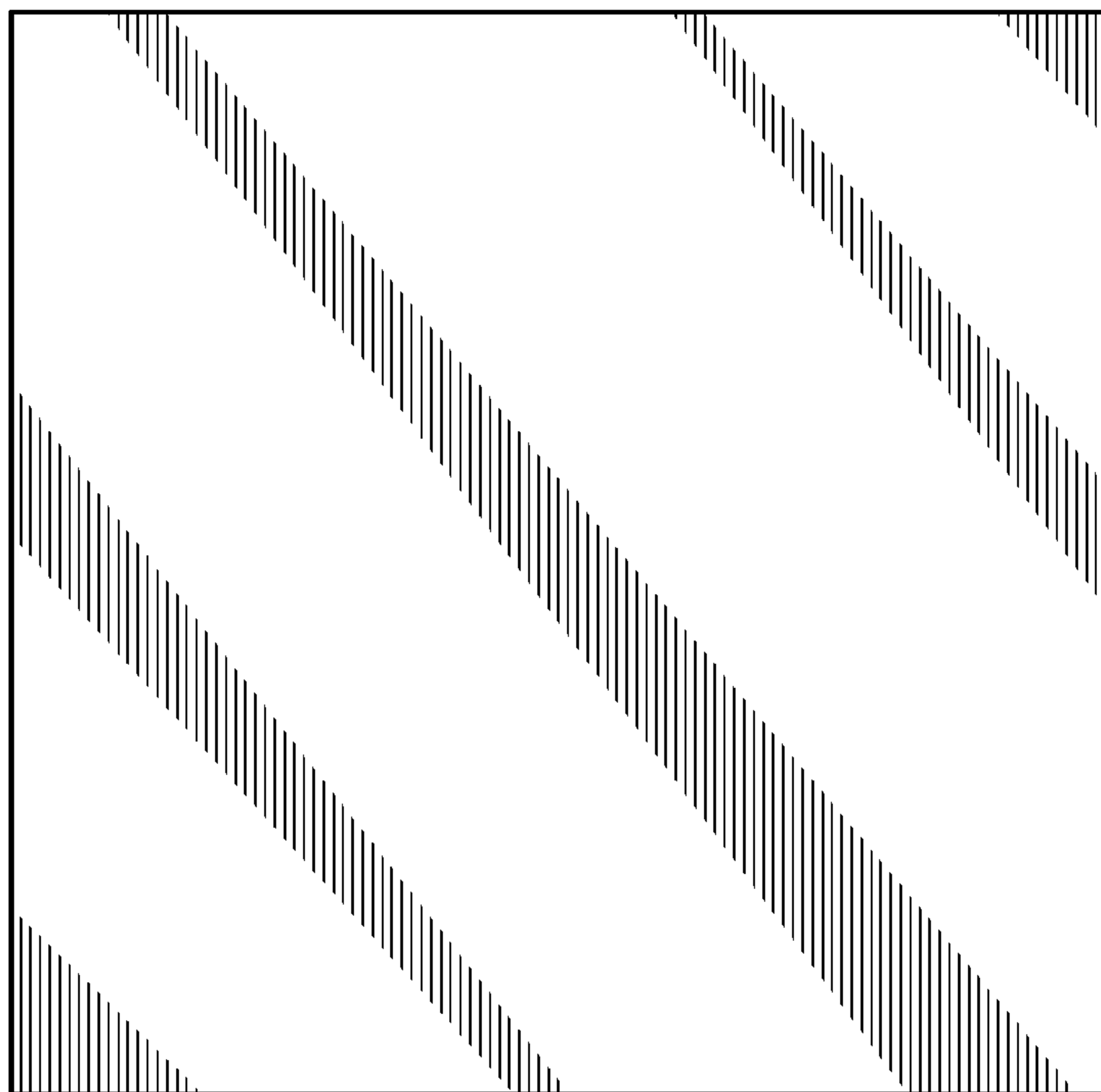


FIG. 12