



US00D569754S

(12) **United States Design Patent**
Kume

(10) **Patent No.:** **US D569,754 S**

(45) **Date of Patent:** **** May 27, 2008**

(54) **SIGNAL TRANSMITTER**

(75) Inventor: **Tsutomu Kume**, Shizuoka (JP)

(73) Assignee: **Omron Corporation**, Kyoto-shi (JP)

(**) Term: **14 Years**

(21) Appl. No.: **29/252,744**

(22) Filed: **Jan. 27, 2006**

(30) **Foreign Application Priority Data**

Jul. 29, 2005 (JP) D2005-022100

(51) **LOC (8) Cl.** **10-05**

(52) **U.S. Cl.** **D10/109; D10/104**

(58) **Field of Classification Search** D10/104-121;
D13/152, 177, 139.4, 156, 184; 174/50,
174/53-55, 58, 60, 66-67; 220/3.2, 3.3,
220/3.7-3.9, 241-242, 244, 315; 439/135-136,
439/138, 142, 367, 373, 535-537, 541, 892-893
See application file for complete search history.

(56) **References Cited**

U.S. PATENT DOCUMENTS

D274,721 S *	7/1984	Smith	D14/240
D314,553 S *	2/1991	Stoll et al.	D13/152
D351,138 S *	10/1994	Shimizu et al.	D13/152
D385,850 S *	11/1997	DiMichele	D13/152
D411,826 S *	7/1999	Lamar et al.	D13/139.6
D414,128 S *	9/1999	Toyota	D10/104
D432,503 S *	10/2000	Taylor	D13/177
D507,241 S *	7/2005	Koessler	D13/152
D533,510 S *	12/2006	Guercio	D13/152

2002/0185295 A1 *	12/2002	Metcalf	174/53
2004/0074656 A1 *	4/2004	Bloodworth et al.	174/50
2006/0096774 A1 *	5/2006	Vo	174/67

* cited by examiner

Primary Examiner—Robert M. Spear

Assistant Examiner—George D Kirschbaum

(74) *Attorney, Agent, or Firm*—Harness, Dickey & Pierce, P.L.C.

(57) **CLAIM**

The ornamental design for a signal transmitter, as shown and described.

DESCRIPTION

FIG. 1 is a perspective view of a signal transmitter showing my new design;

FIG. 2 is a front elevational view thereof;

FIG. 3 is a rear elevational view thereof;

FIG. 4 is a top plan view thereof;

FIG. 5 is a bottom plan view thereof;

FIG. 6 is a right side elevational view thereof;

FIG. 7 is a left side elevational view thereof;

FIG. 8 is a front elevational view thereof, showing the cover of the signal transmitter in an open position;

FIG. 9 is a bottom plan view thereof;

FIG. 10 is a right side elevational view thereof; and,

FIG. 11 is a perspective view thereof.

1 Claim, 10 Drawing Sheets

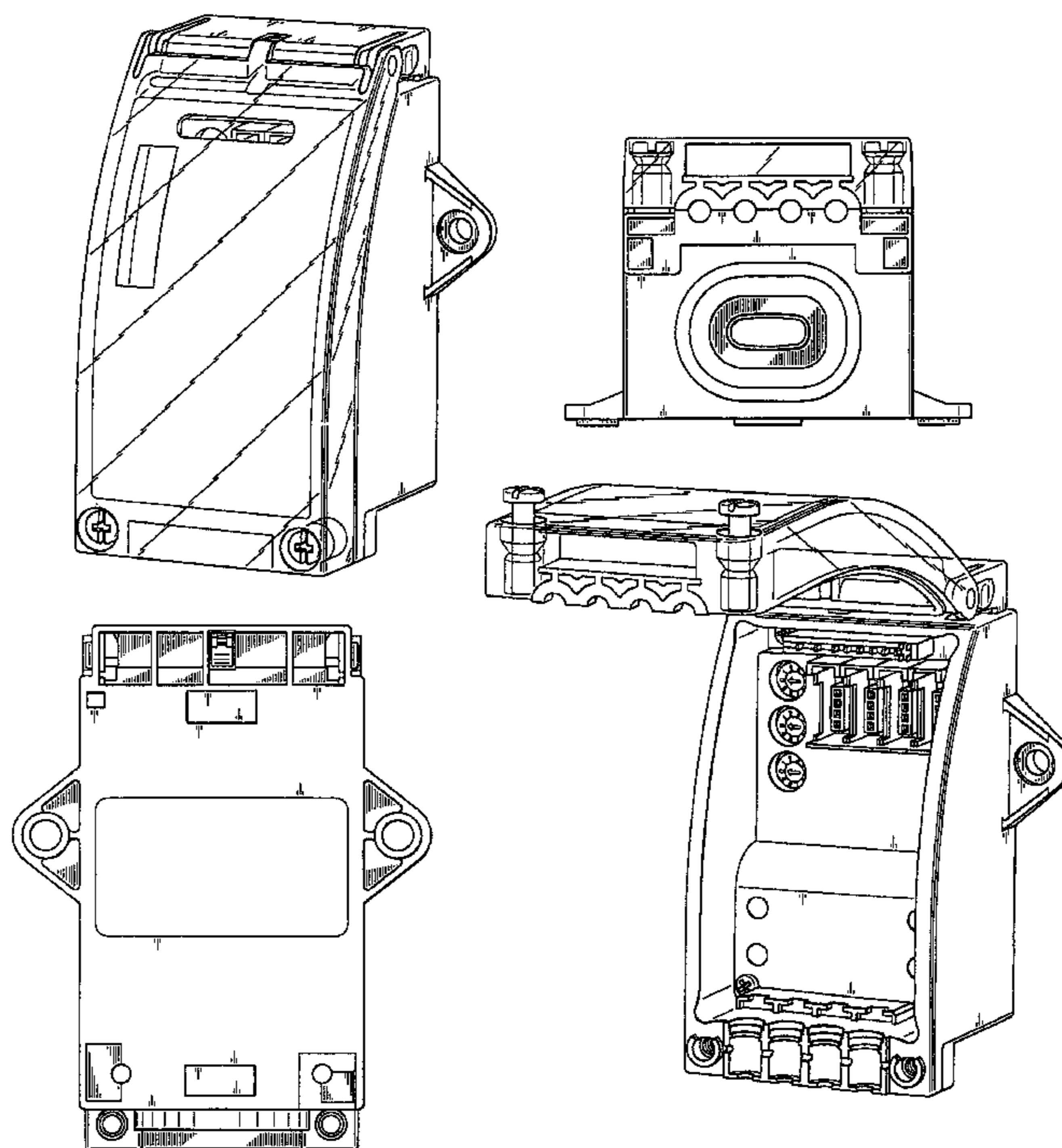


Fig. 1

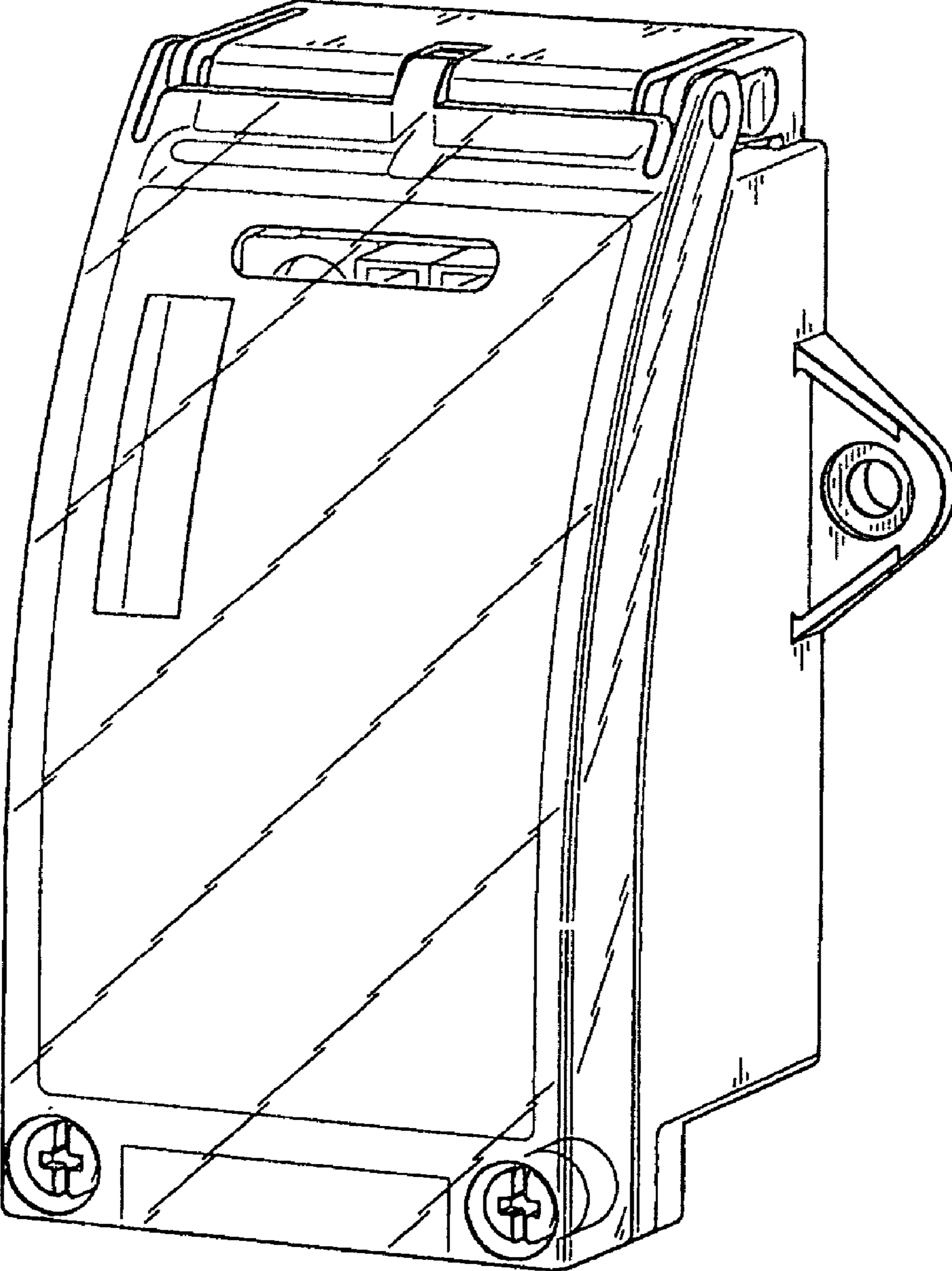


Fig. 2

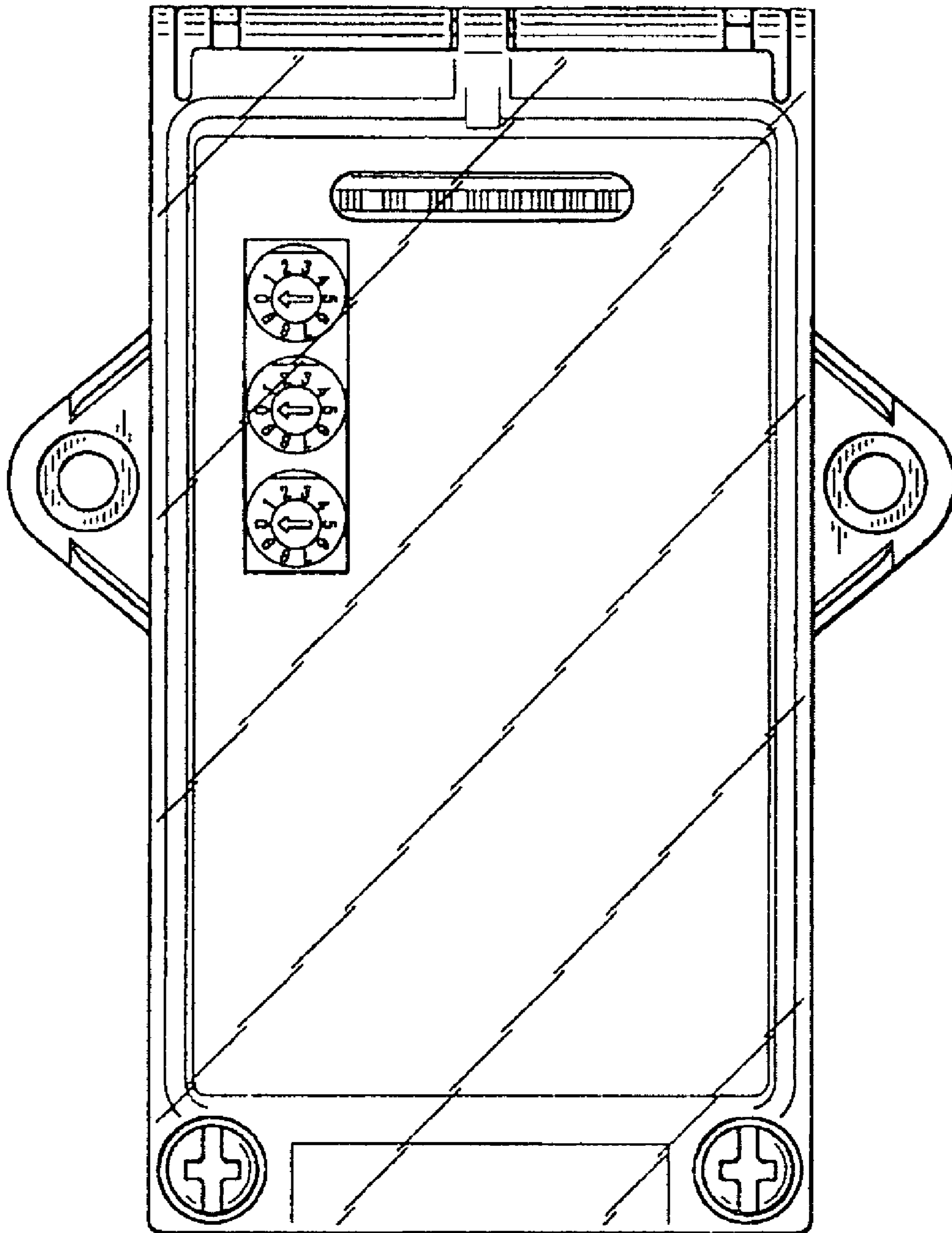


Fig. 3

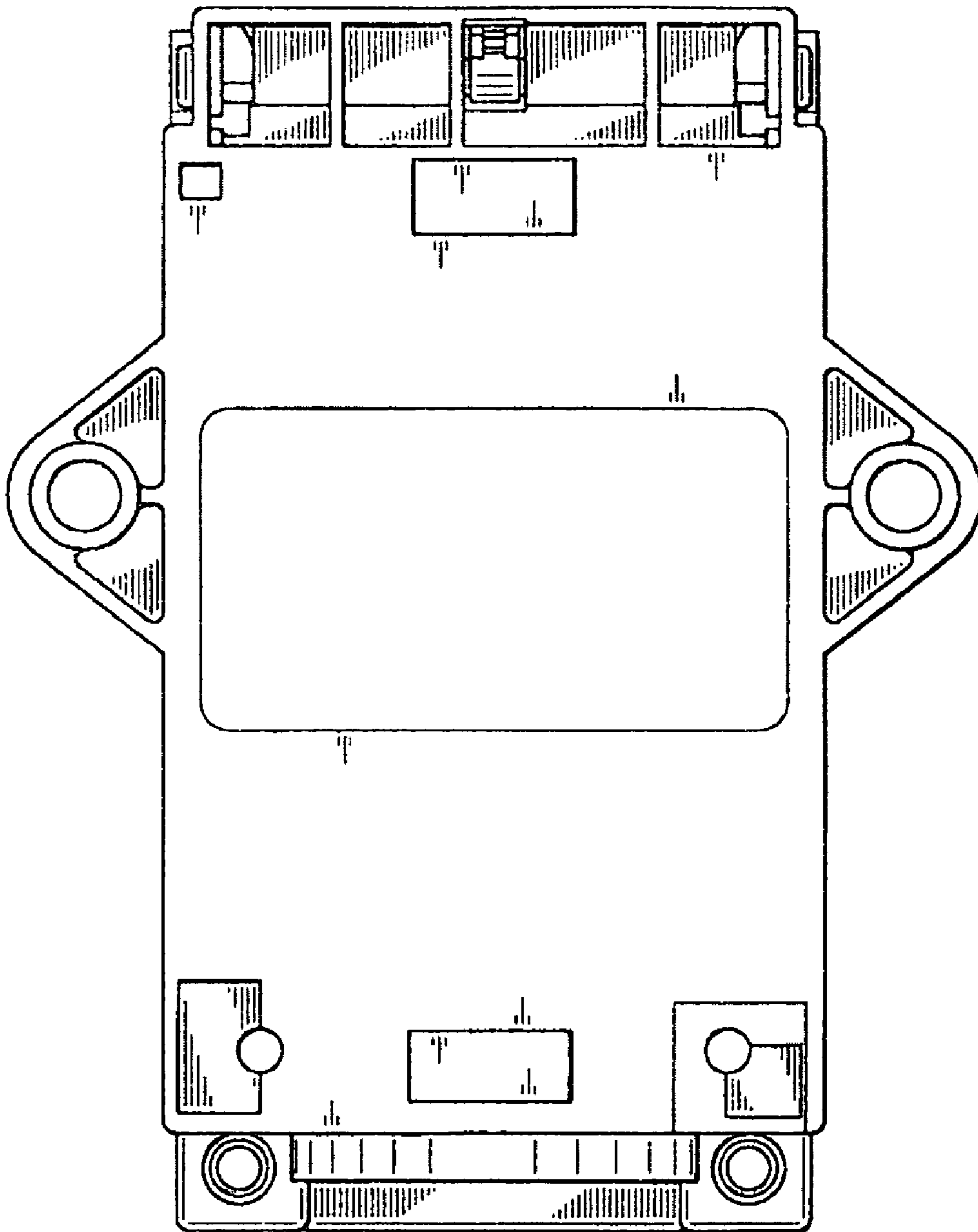


Fig. 4

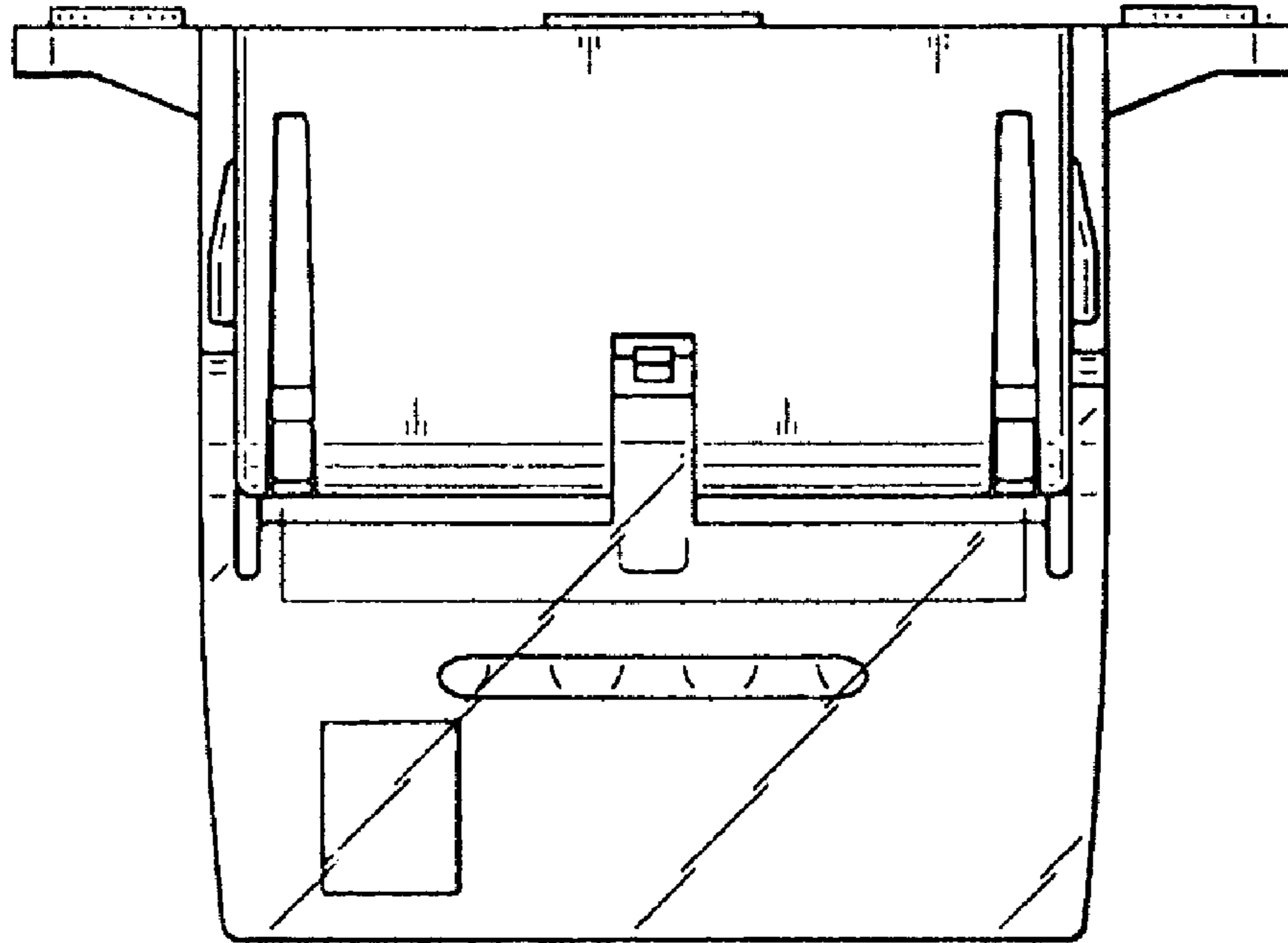


Fig. 5

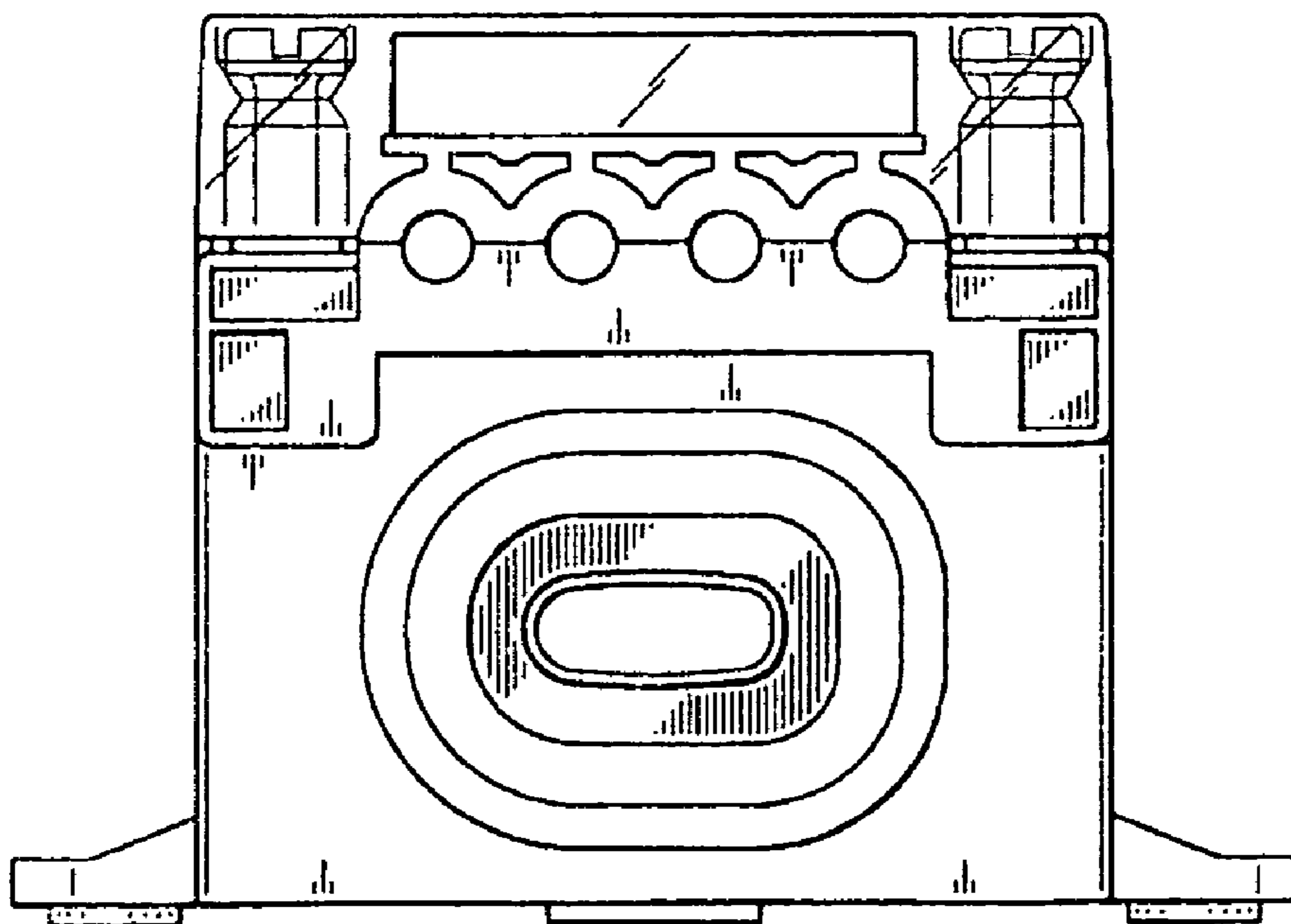


Fig. 6

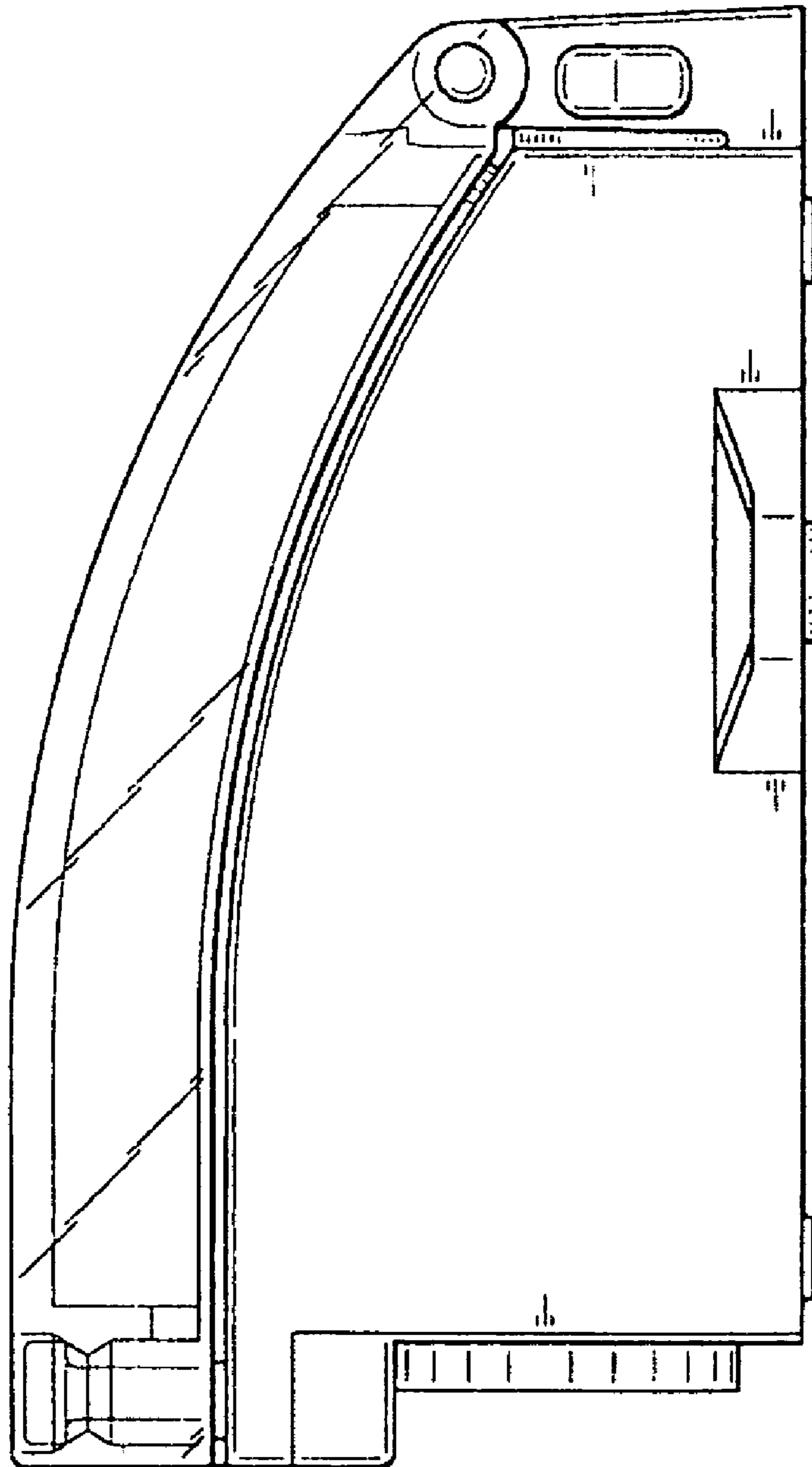


Fig. 7

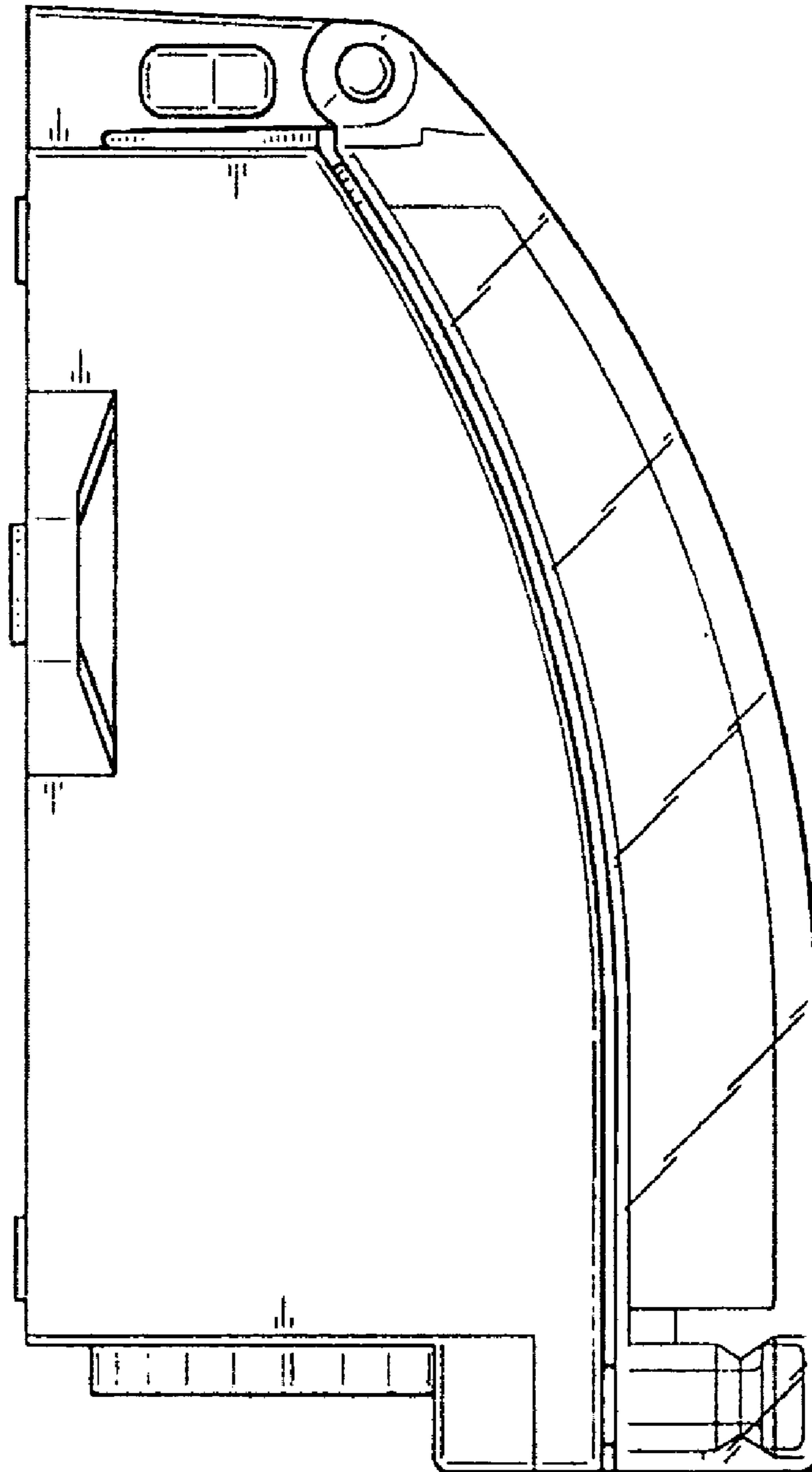


Fig. 8

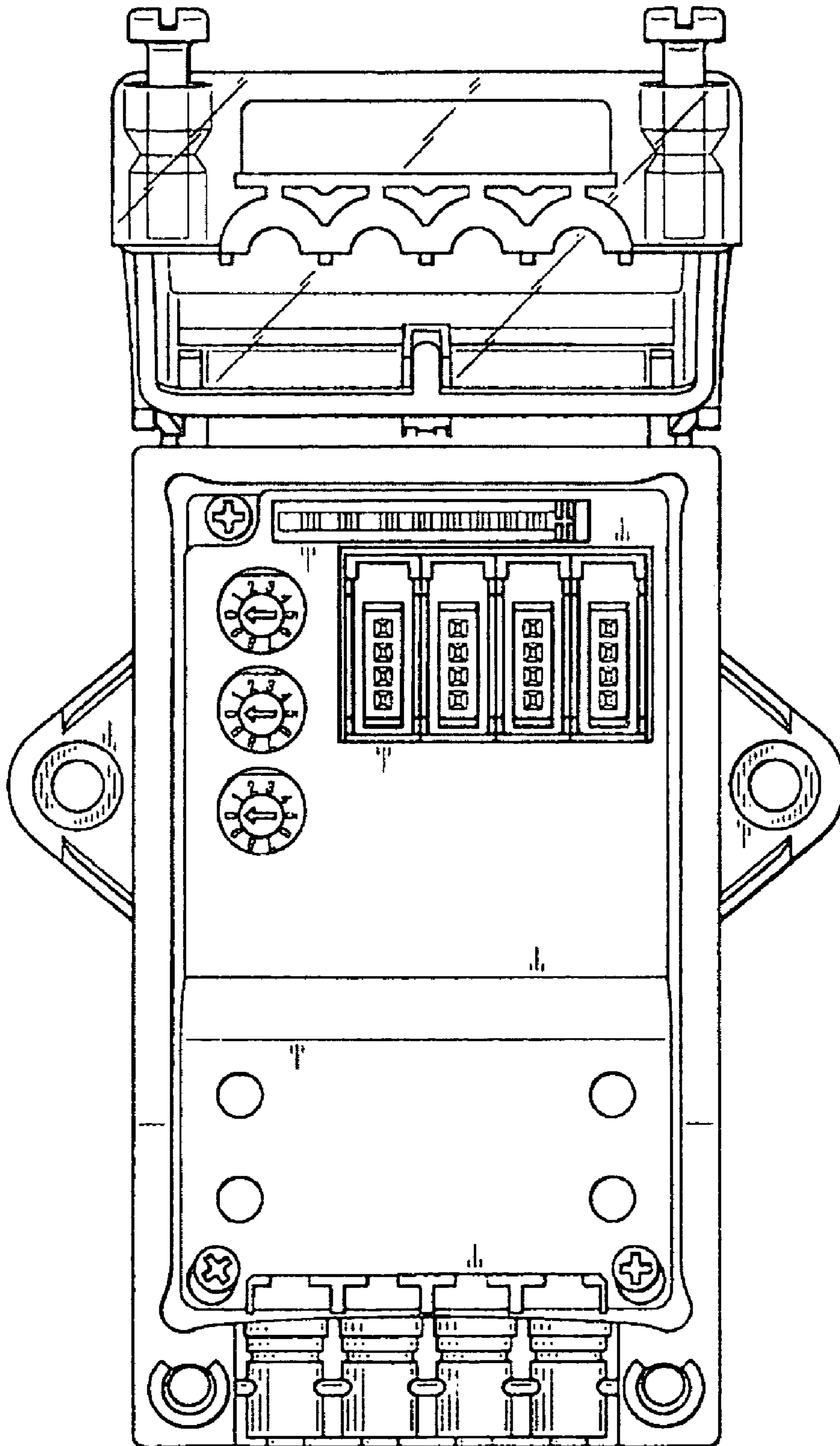


Fig. 9

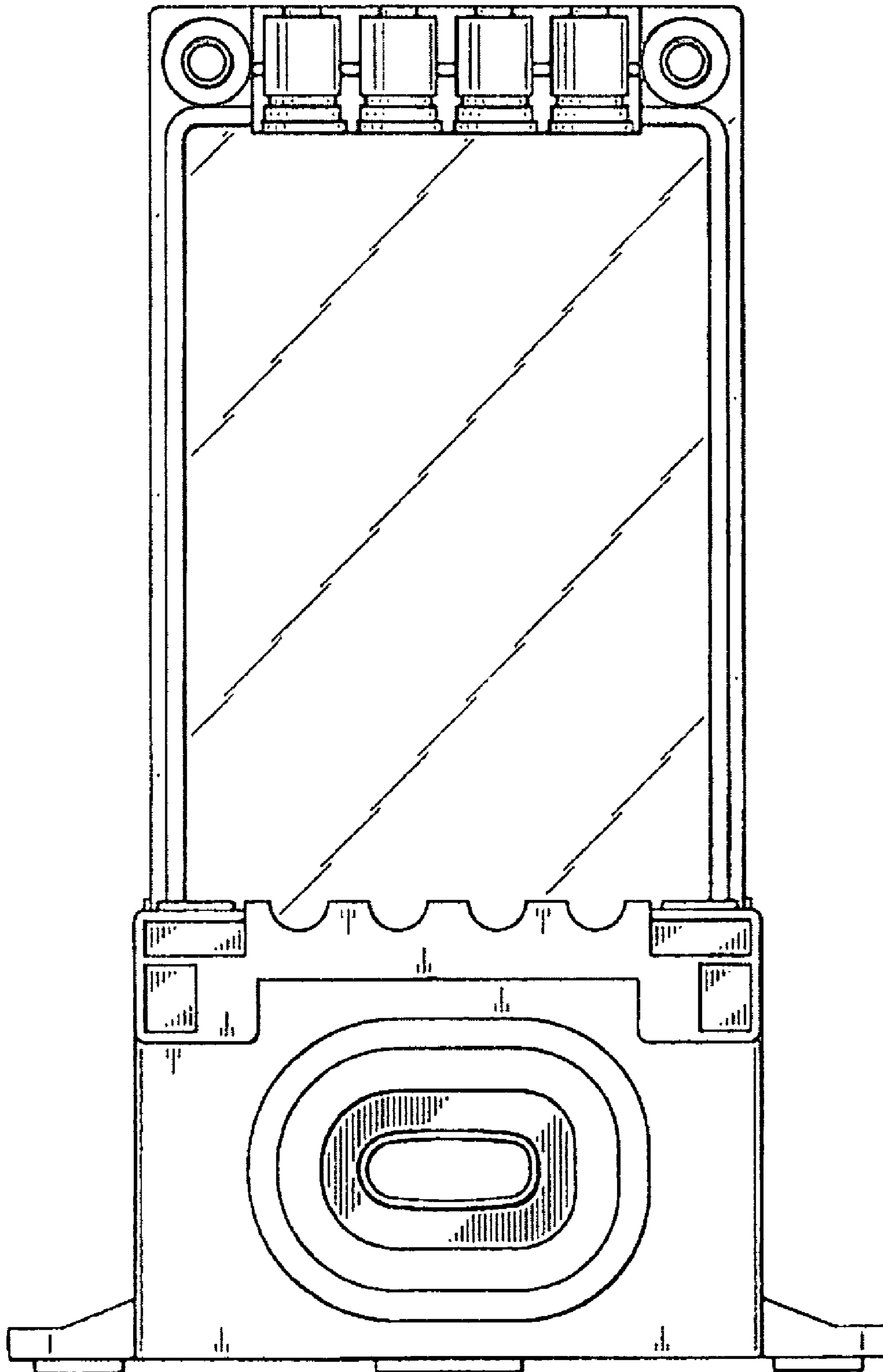


Fig. 10

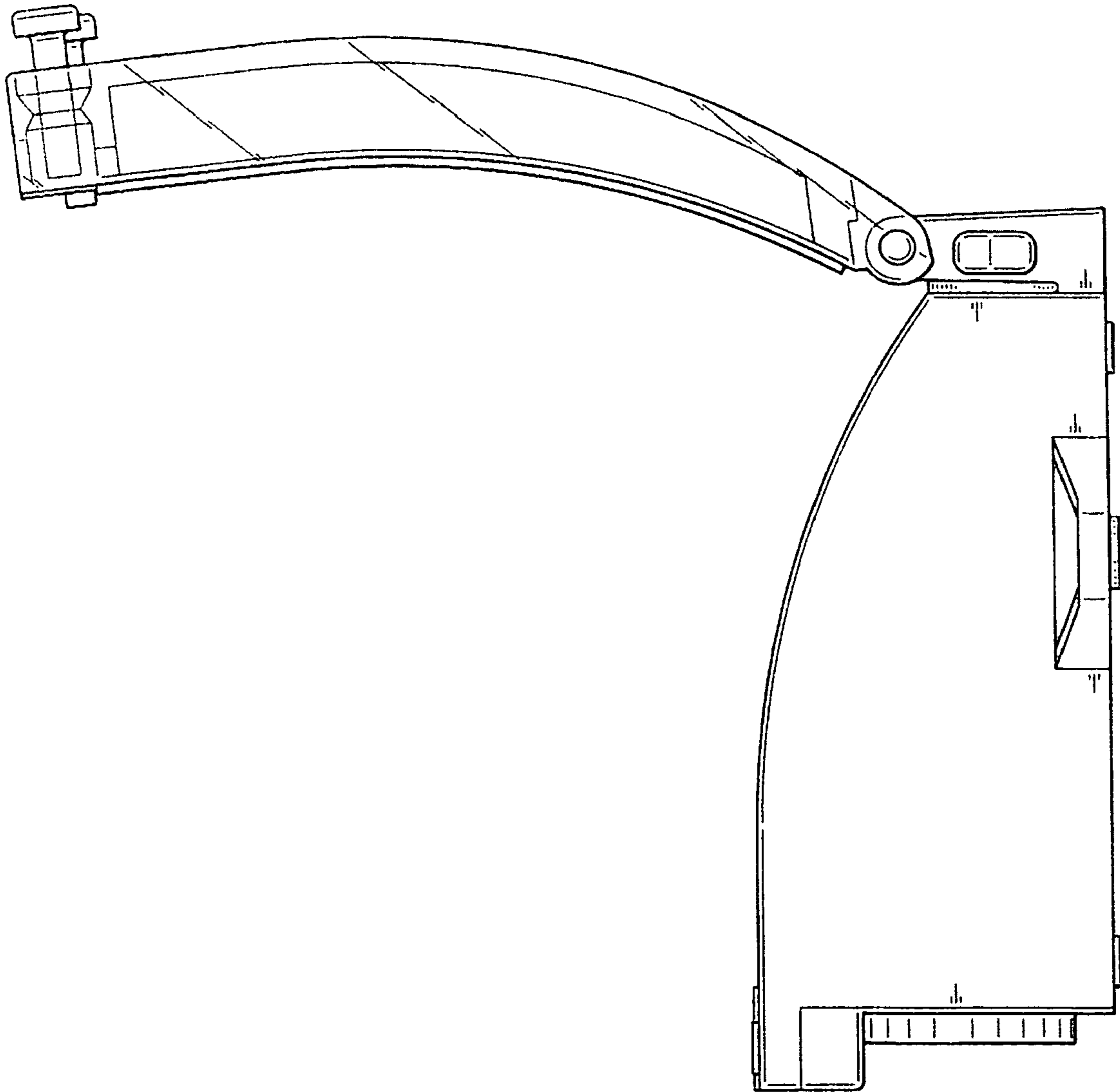


Fig. 11

