



US00D569753S

(12) **United States Design Patent**
Goetzl

(10) **Patent No.:** **US D569,753 S**

(45) **Date of Patent:** **** May 27, 2008**

(54) **COLLAR SADDLE**

(75) Inventor: **Brent A. Goetzl**, Orinda, CA (US)

(73) Assignee: **Radio Systems Corporation**,
Knoxville, TN (US)

(**) Term: **14 Years**

(21) Appl. No.: **29/275,848**

(22) Filed: **Jan. 8, 2007**

(51) **LOC (8) Cl.** **10-05**

(52) **U.S. Cl.** **D10/104; D30/199; D30/152**

(58) **Field of Classification Search** D10/104,
D10/116, 121; D30/151, 152, 199; 119/720,
119/712, 129, 108, 106; 343/895; 340/573.1,
340/573.3; 540/1

See application file for complete search history.

(56) **References Cited**

U.S. PATENT DOCUMENTS

D298,872 S *	12/1988	Cassel et al.	D30/199
4,794,402 A *	12/1988	Gonda et al.	119/720
5,161,485 A *	11/1992	McDade	119/859
D376,553 S *	12/1996	Heun	D10/104
D380,692 S *	7/1997	Heun	D10/104
D410,206 S *	5/1999	Slater	D10/104
5,911,199 A *	6/1999	Farkas et al.	119/859
6,061,037 A *	5/2000	Brouwers et al.	343/895
D478,830 S *	8/2003	So	D10/104
D478,831 S *	8/2003	So	D10/104

6,750,758 B2	6/2004	Duncan et al.	
6,907,844 B1 *	6/2005	Crist et al.	119/718
D520,894 S *	5/2006	Zakharyan	D10/104
D522,187 S *	5/2006	Nottingham et al.	D30/152
D523,188 S *	6/2006	Lord	D30/152
D523,998 S *	6/2006	Nottingham et al.	D30/152
2006/0220880 A1 *	10/2006	Yasur et al.	340/573.1

* cited by examiner

Primary Examiner—Robert M. Spear
Assistant Examiner—George D Kirschbaum
(74) *Attorney, Agent, or Firm*—Pitts & Brittan, PC

(57) **CLAIM**

I claim the ornamental design for a collar saddle, as shown and described.

DESCRIPTION

FIG. 1 is a perspective view of the design of the present invention for a collar saddle;

FIG. 2 is a front elevation view thereof;

FIG. 3 is a rear elevation view thereof;

FIG. 4 is a right side elevation view thereof;

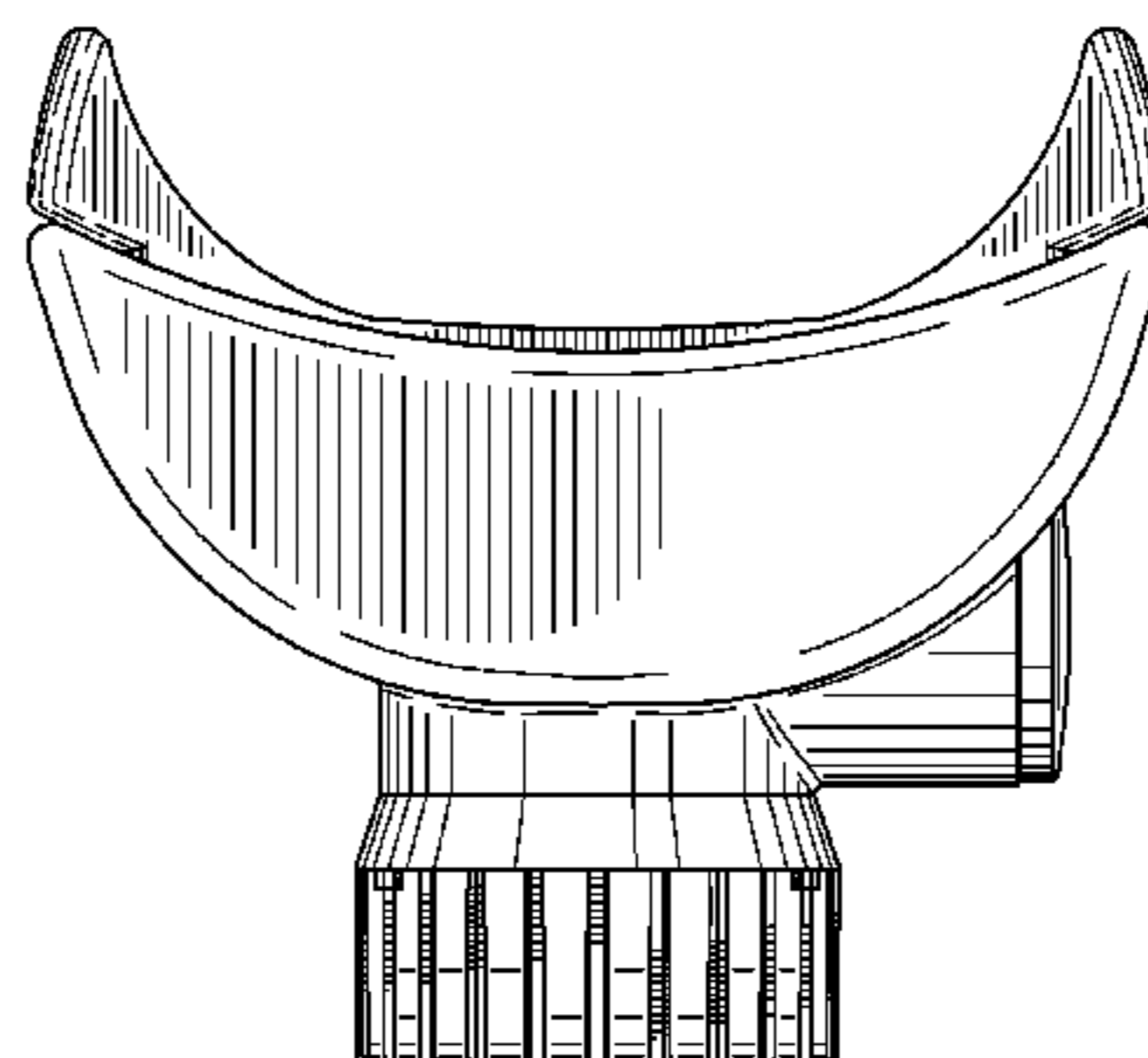
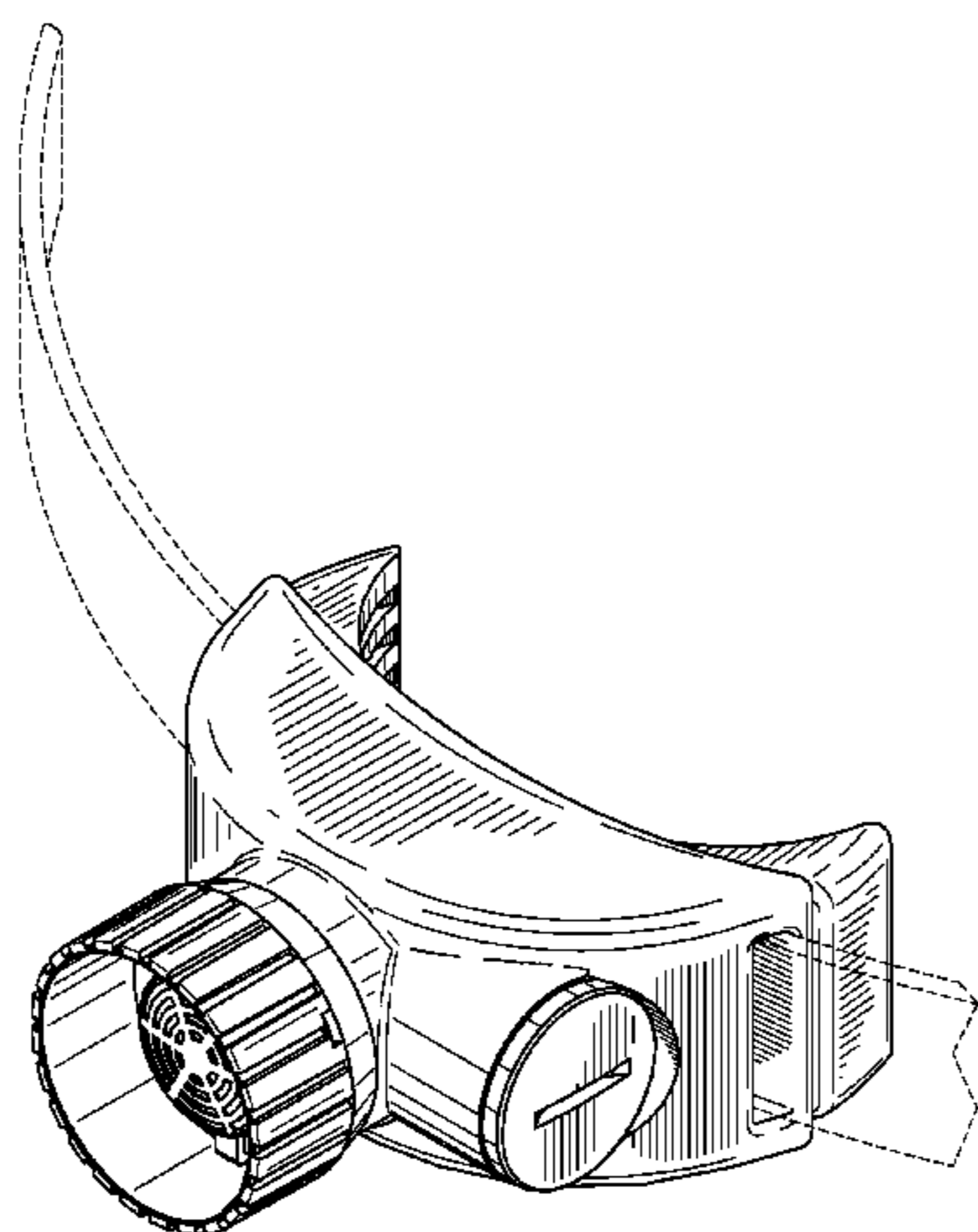
FIG. 5 is a left side elevation view thereof;

FIG. 6 is a top plane view thereof; and,

FIG. 7 is a bottom plane view thereof.

In the drawings, the broken lines depict environmental subject matter and forms no part of the claim.

1 Claim, 5 Drawing Sheets



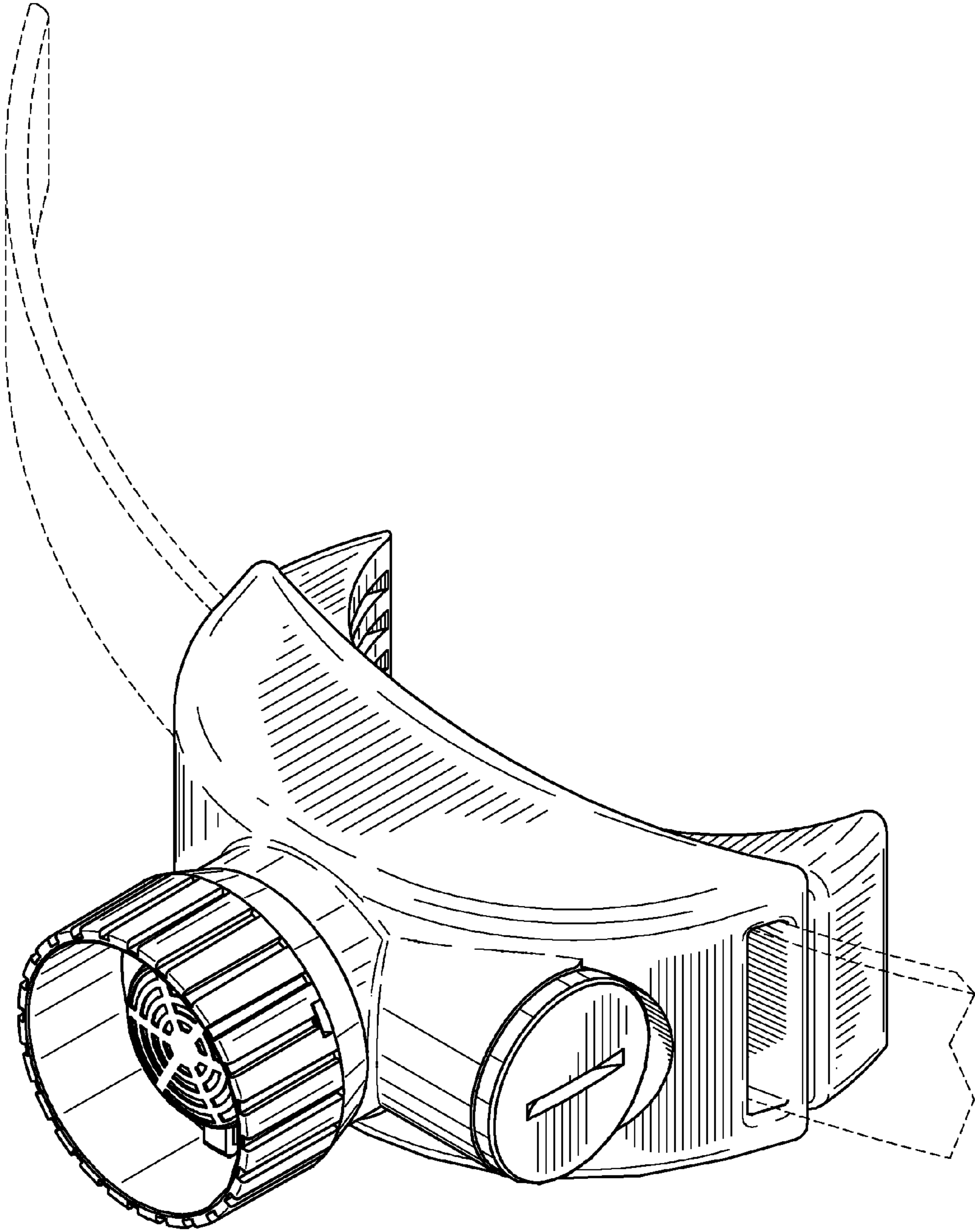


Fig. 1

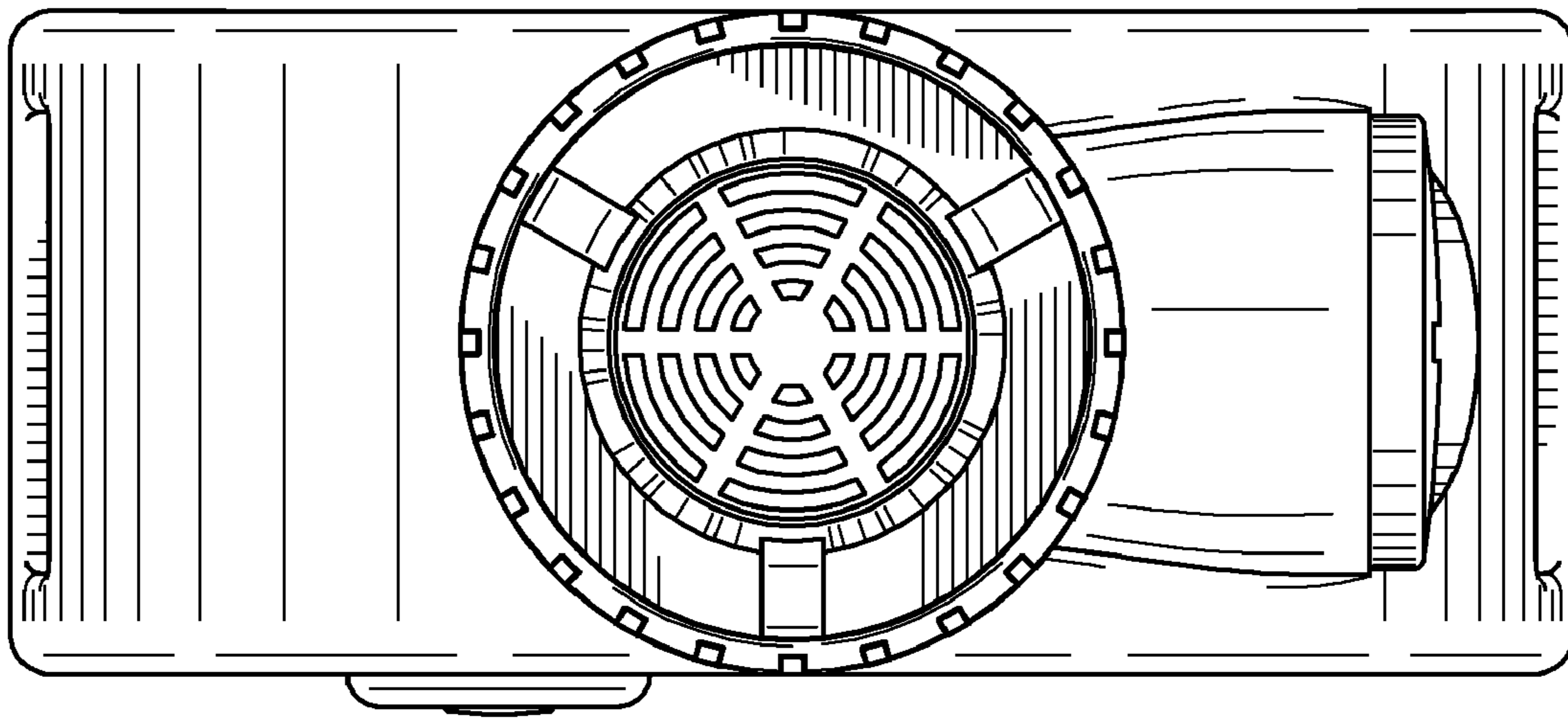


Fig. 2



Fig. 3

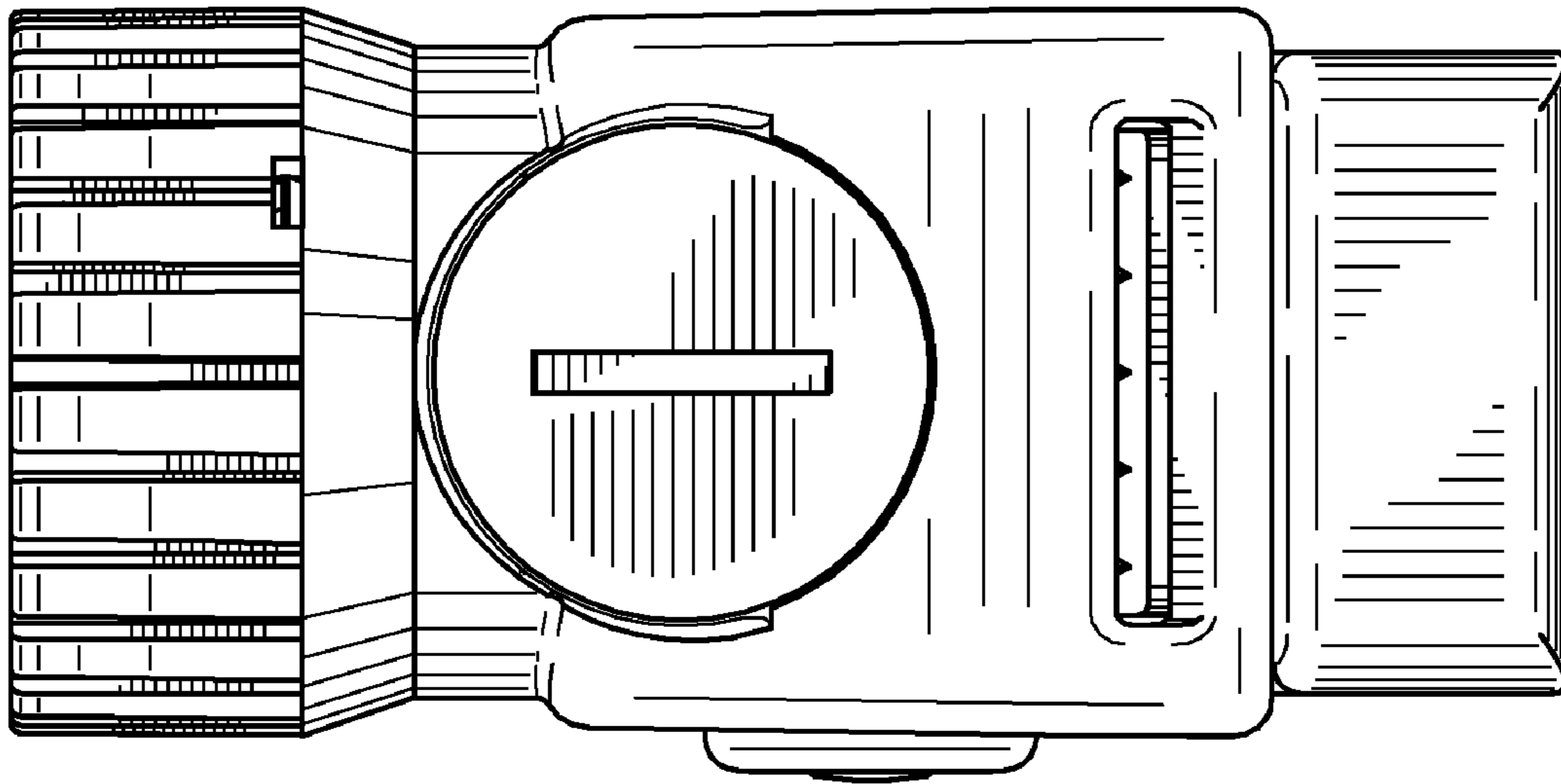


Fig. 4

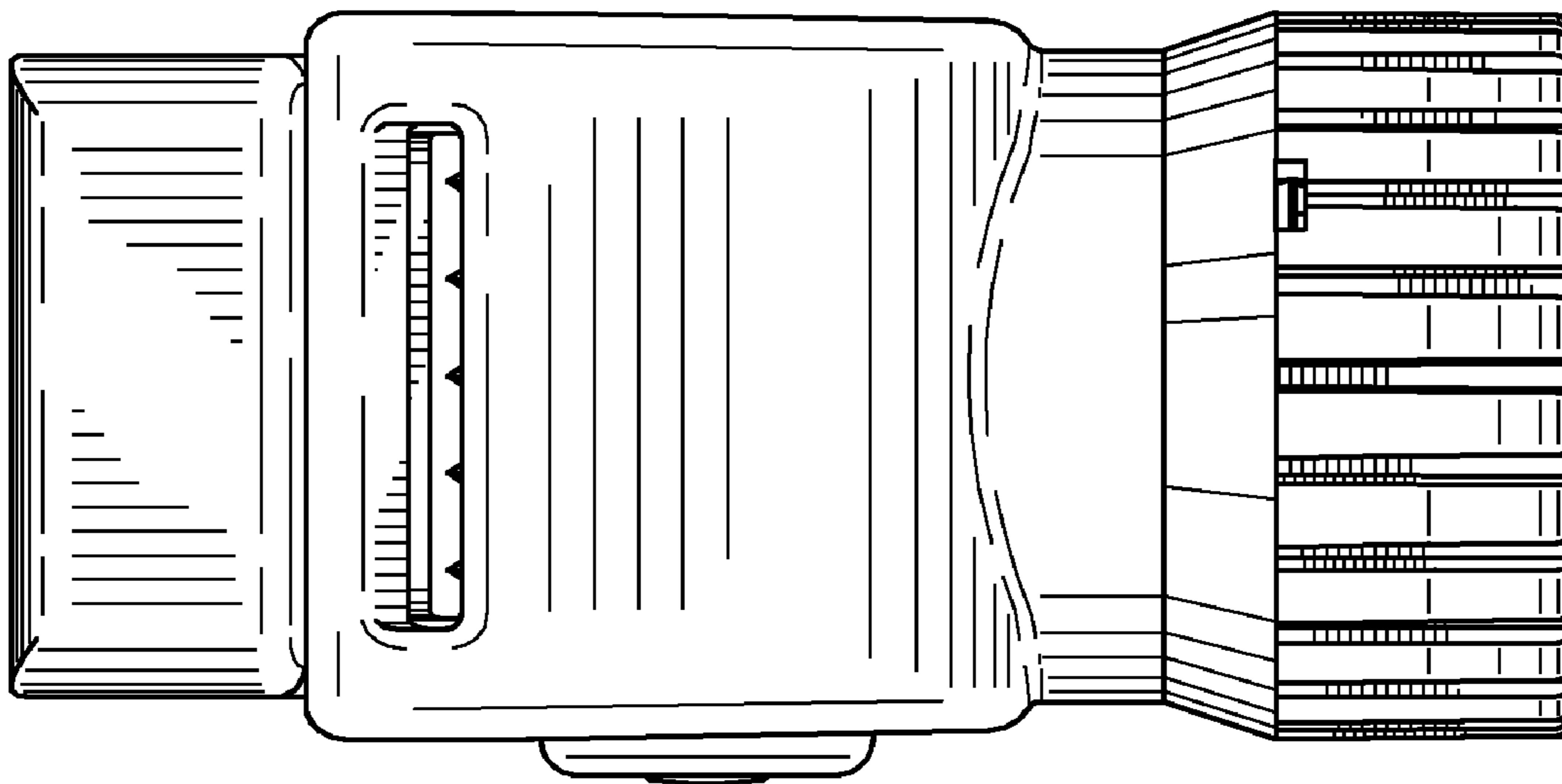


Fig. 5

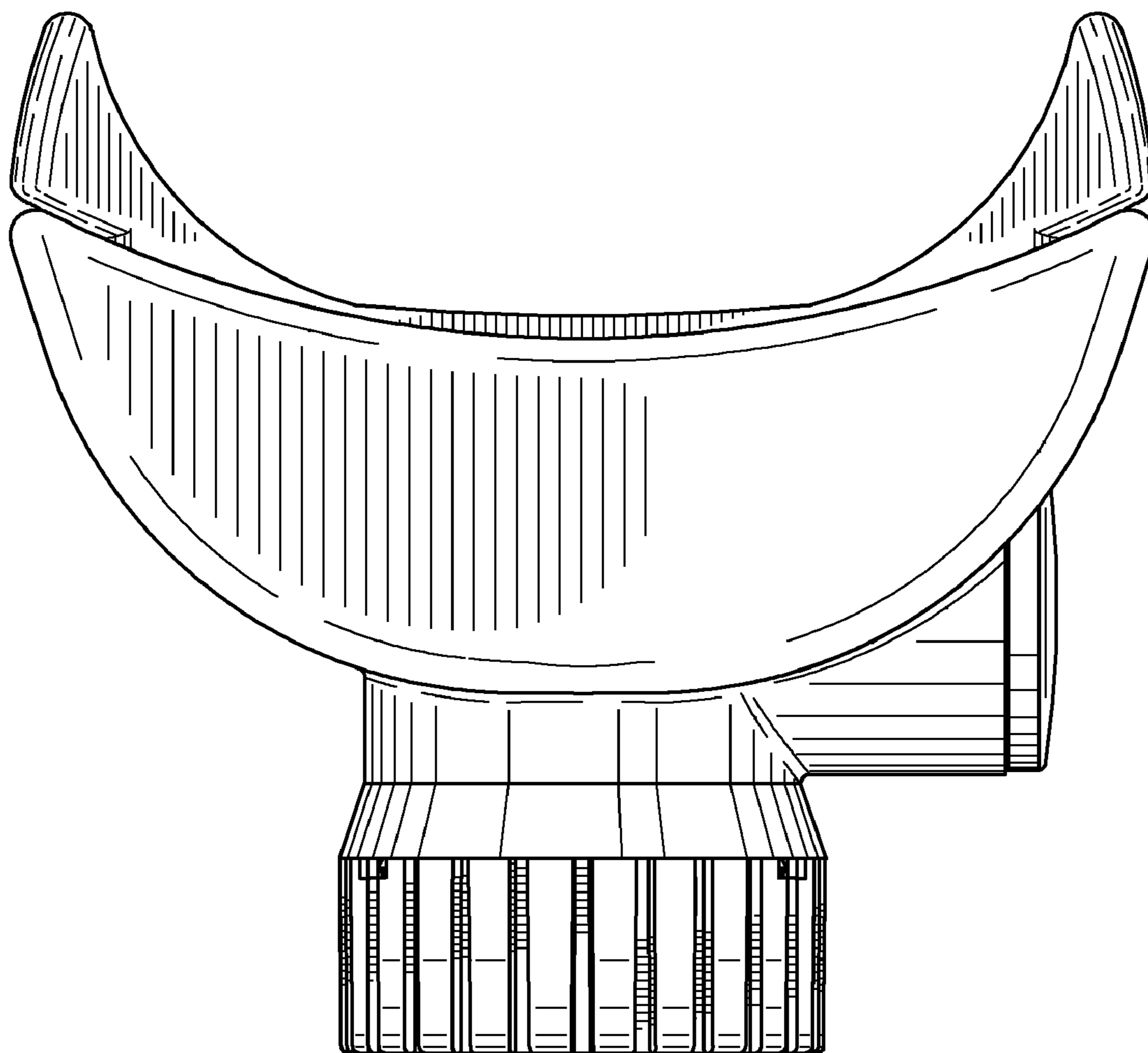


Fig.6

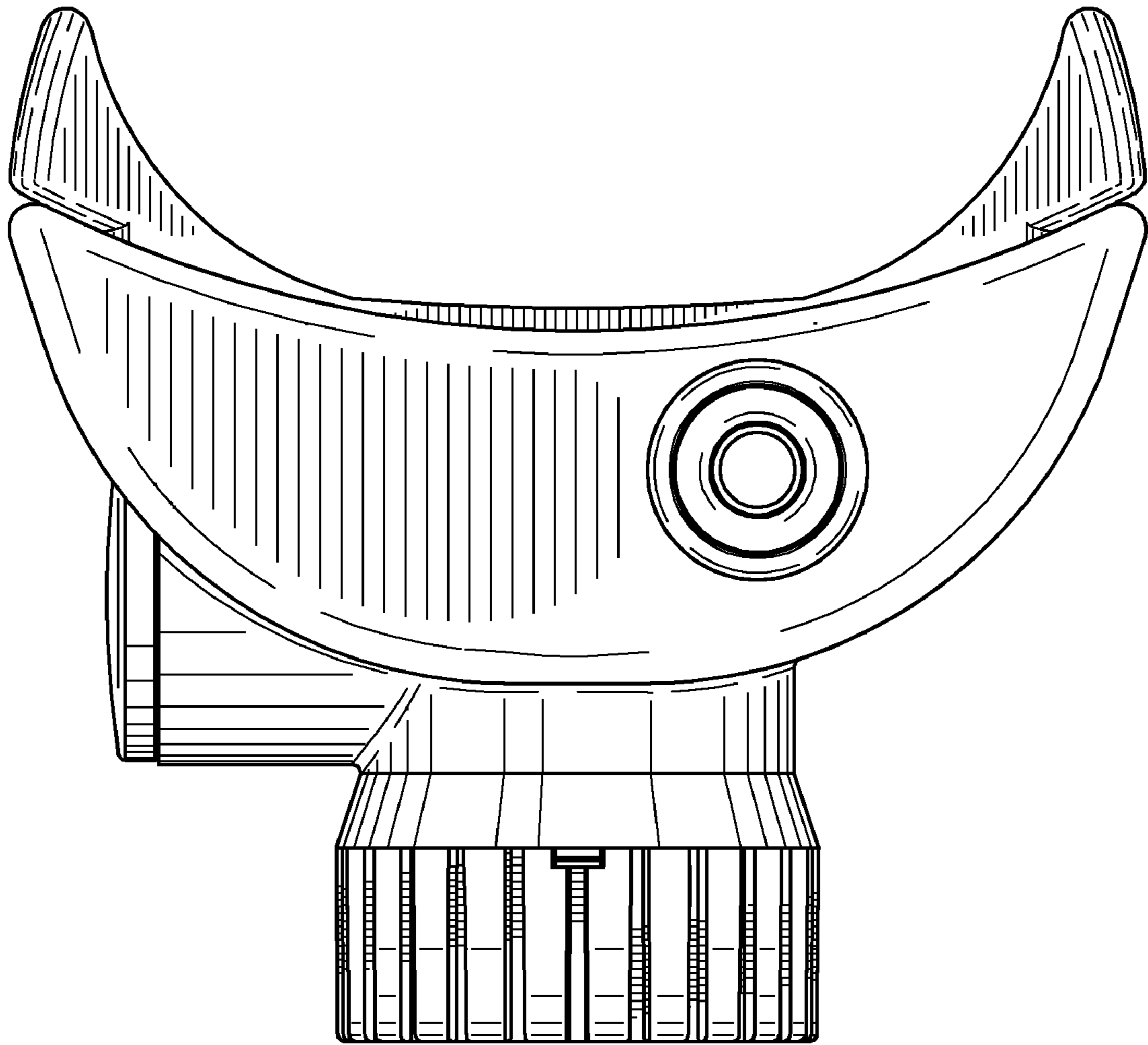


Fig.7