



US00D569750S

(12) **United States Design Patent**  
**Semersky et al.**

(10) **Patent No.:** **US D569,750 S**

(45) **Date of Patent:** **\*\* May 27, 2008**

(54) **HAND HELD TORQUE METER**

(75) Inventors: **Frank E. Semersky**, Holland, OH (US); **Jonathan A. McGurk**, Toledo, OH (US); **Aaron R. Teitlebaum**, Toledo, OH (US); **Daniel L. Witham**, Holland, OH (US)

(73) Assignee: **Plastic Technologies, Inc.**, Holland, OH (US)

(\*\*) Term: **14 Years**

(21) Appl. No.: **29/283,583**

(22) Filed: **Aug. 17, 2007**

(51) **LOC (8) Cl.** ..... **10-04**

(52) **U.S. Cl.** ..... **D10/83**

(58) **Field of Classification Search** ..... D10/83-85;  
73/862.21, 379.01-379.09; 482/1, 5, 8, 9,  
482/49, 111, 901-902; 600/595; 601/23  
See application file for complete search history.

(56) **References Cited**

**U.S. PATENT DOCUMENTS**

D270,718 S \* 9/1983 Cain ..... D10/94

\* cited by examiner

*Primary Examiner*—Antoine D Davis

(74) *Attorney, Agent, or Firm*—Fraser Clemens Martin & Miller LLC; Donald R. Fraser

(57) **CLAIM**

The ornamental design for a hand held torque meter, as shown and described.

**DESCRIPTION**

FIG. 1 is a perspective view of a hand held torque meter incorporating the features of the invention;

FIG. 2 is a front elevational view of the hand held torque meter of FIG. 1 showing a data port thereof;

FIG. 3 is a rear elevational view thereof;

FIG. 4 is a right side elevational view thereof;

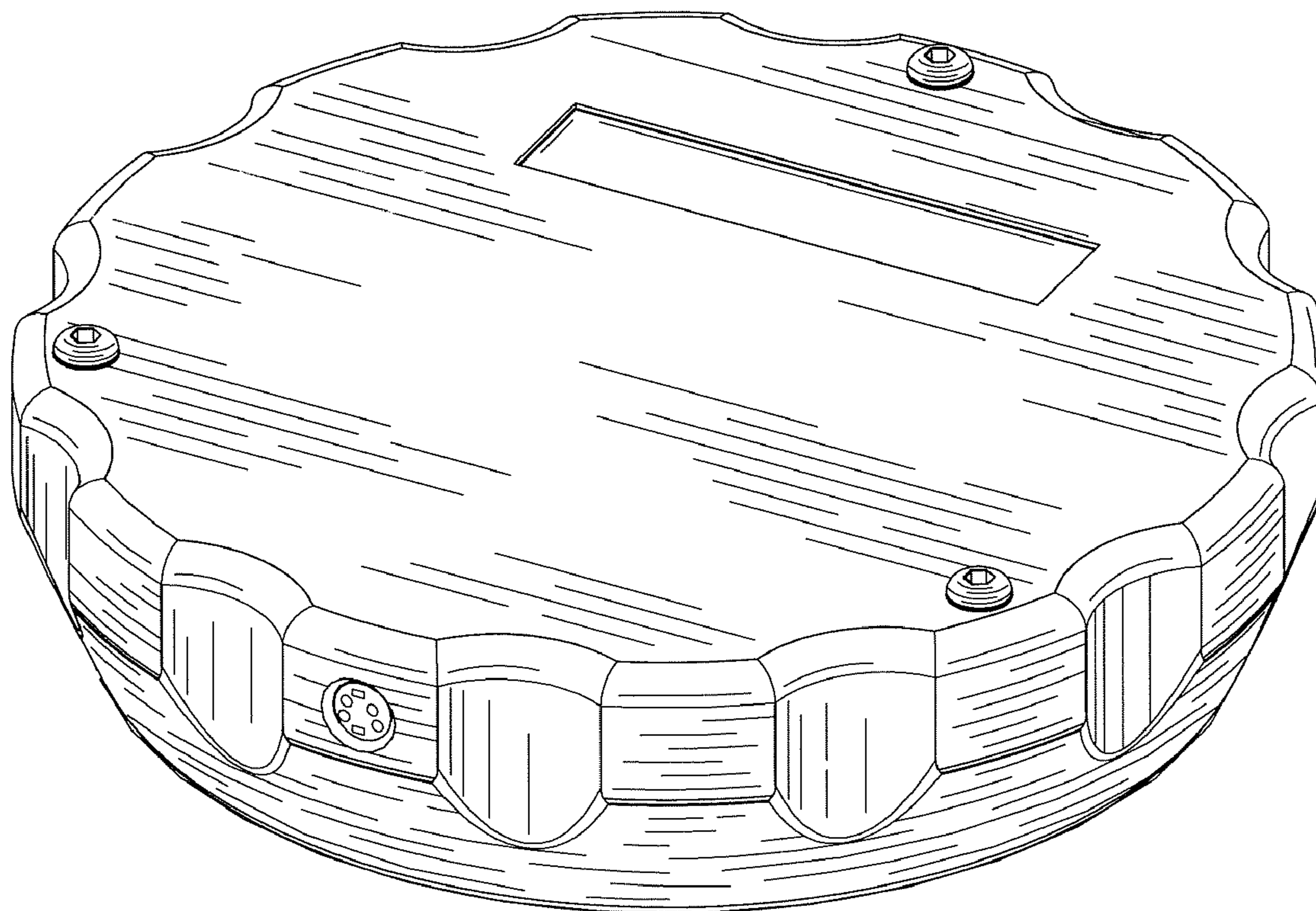
FIG. 5 is left side elevational view thereof;

FIG. 6 is a top plan view thereof; and,

FIG. 7 is a bottom plan view thereof.

The ornamental design which is claimed is shown in solid lines in the drawings. Any broken lines in the drawings are for illustrative purposes only and form no part of the claimed design.

**1 Claim, 3 Drawing Sheets**



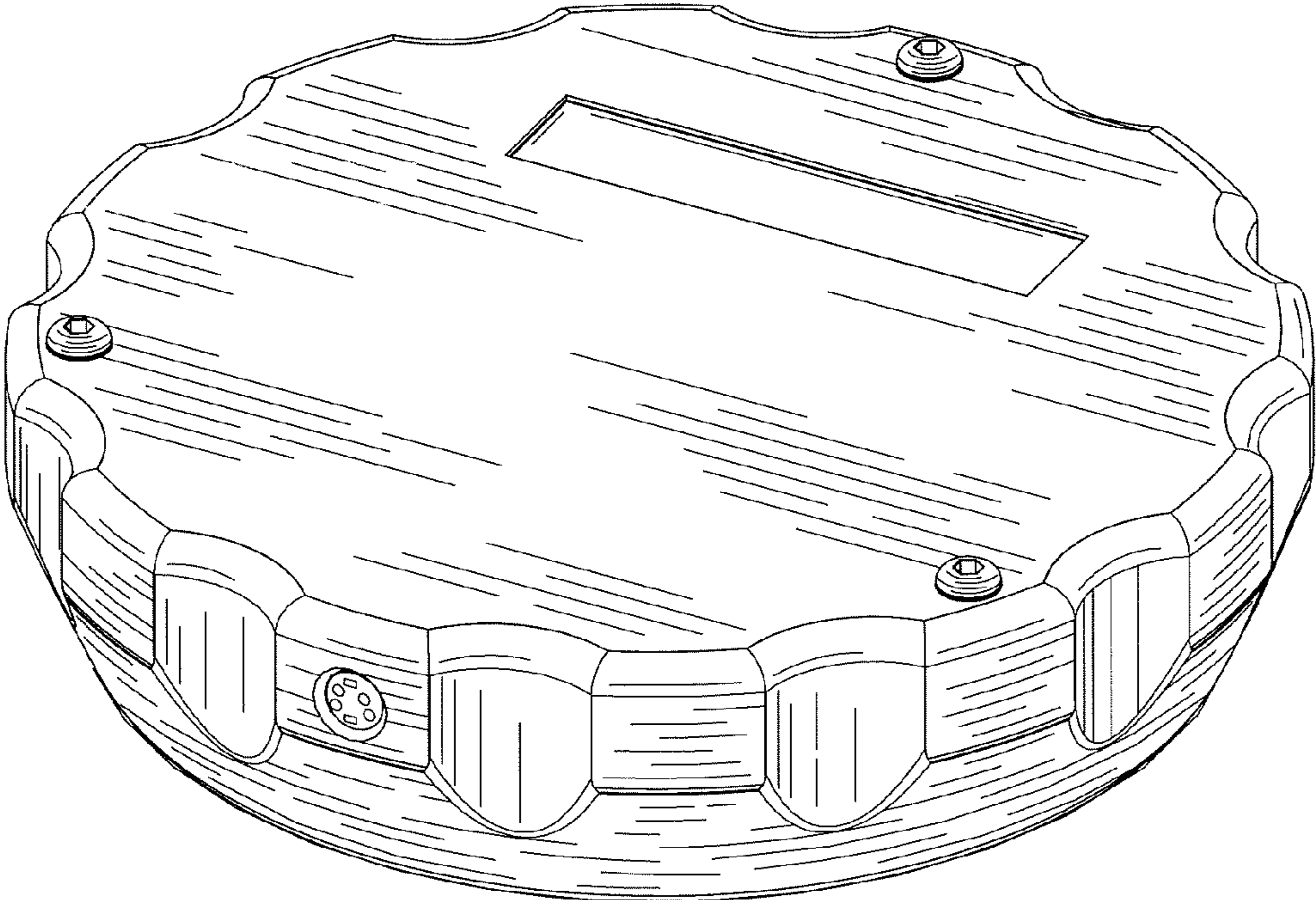


FIG. 1

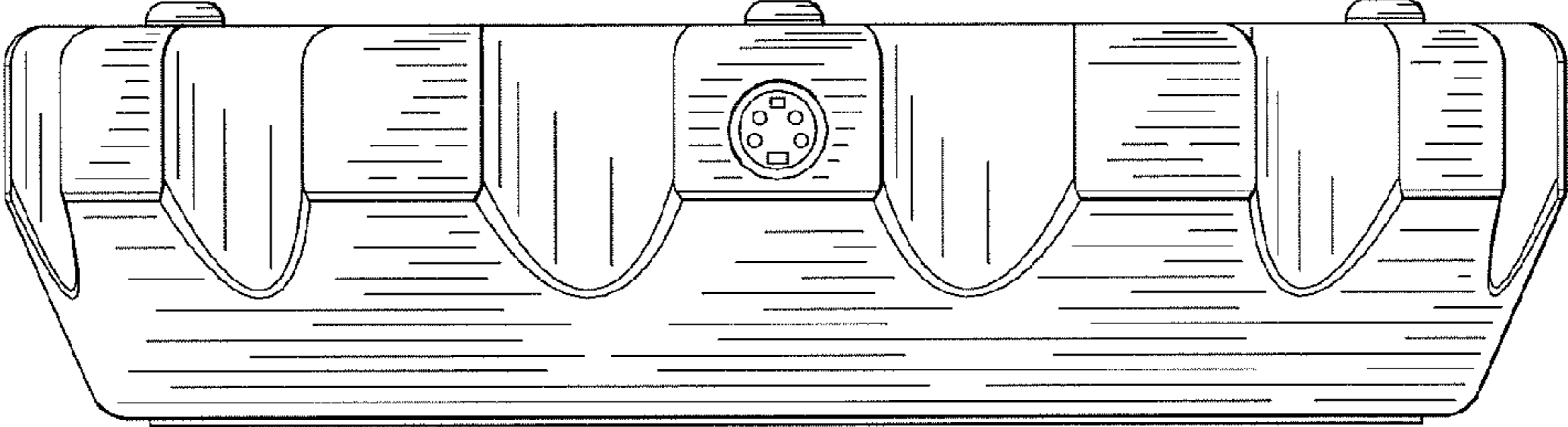
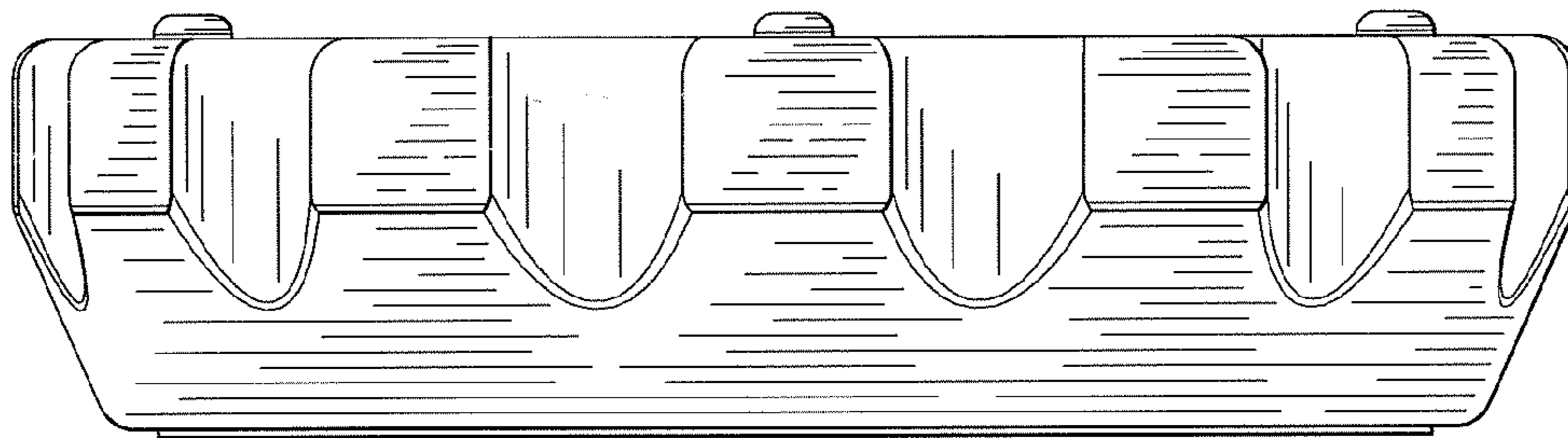
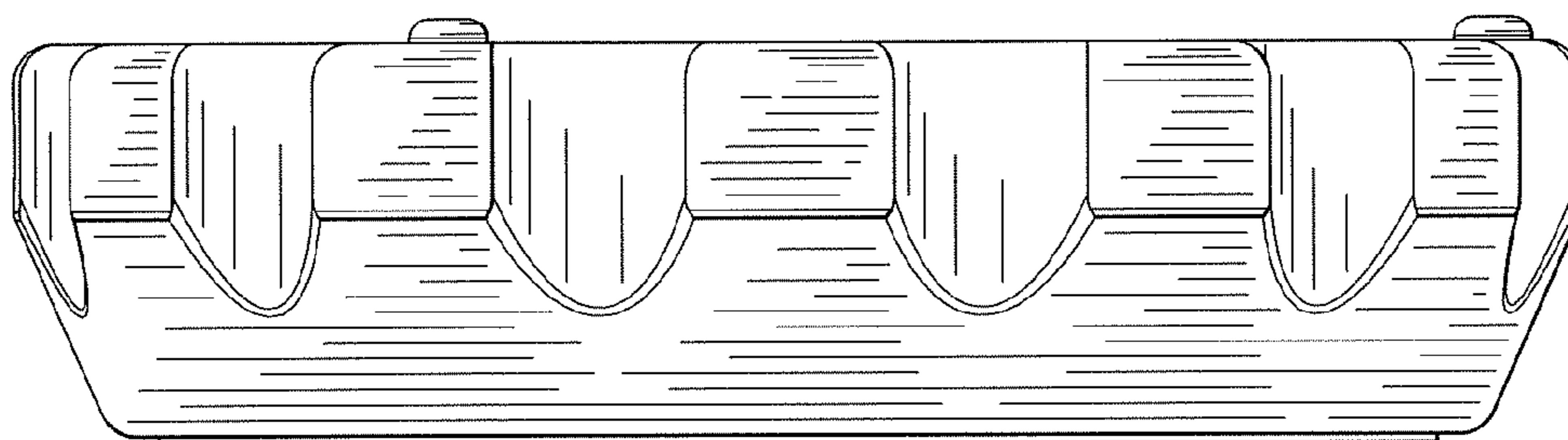


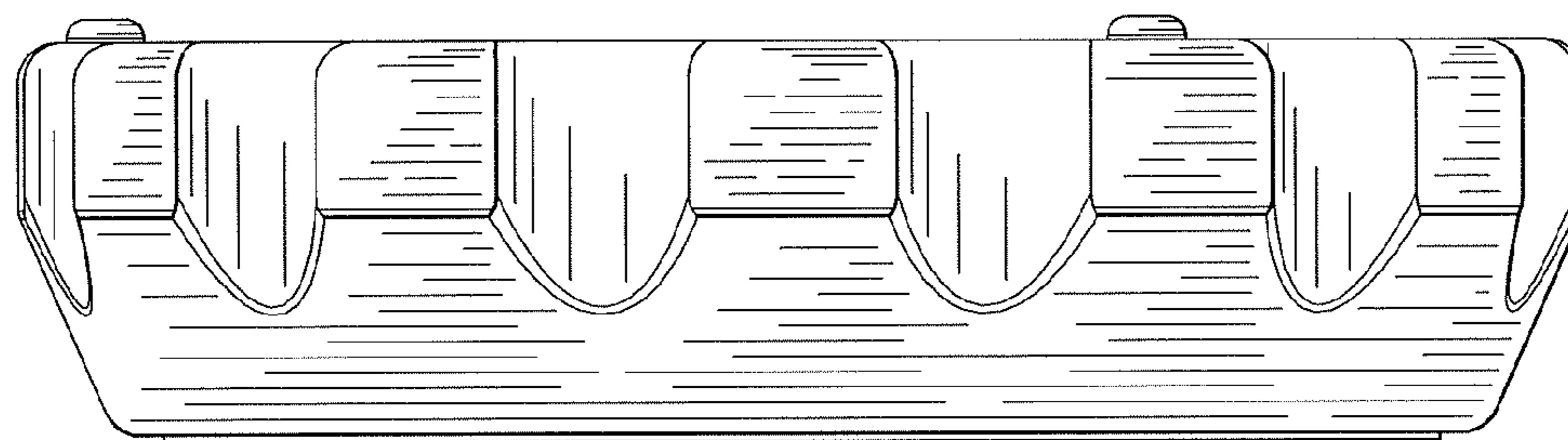
FIG. 2



**FIG. 3**



**FIG. 4**



**FIG. 5**

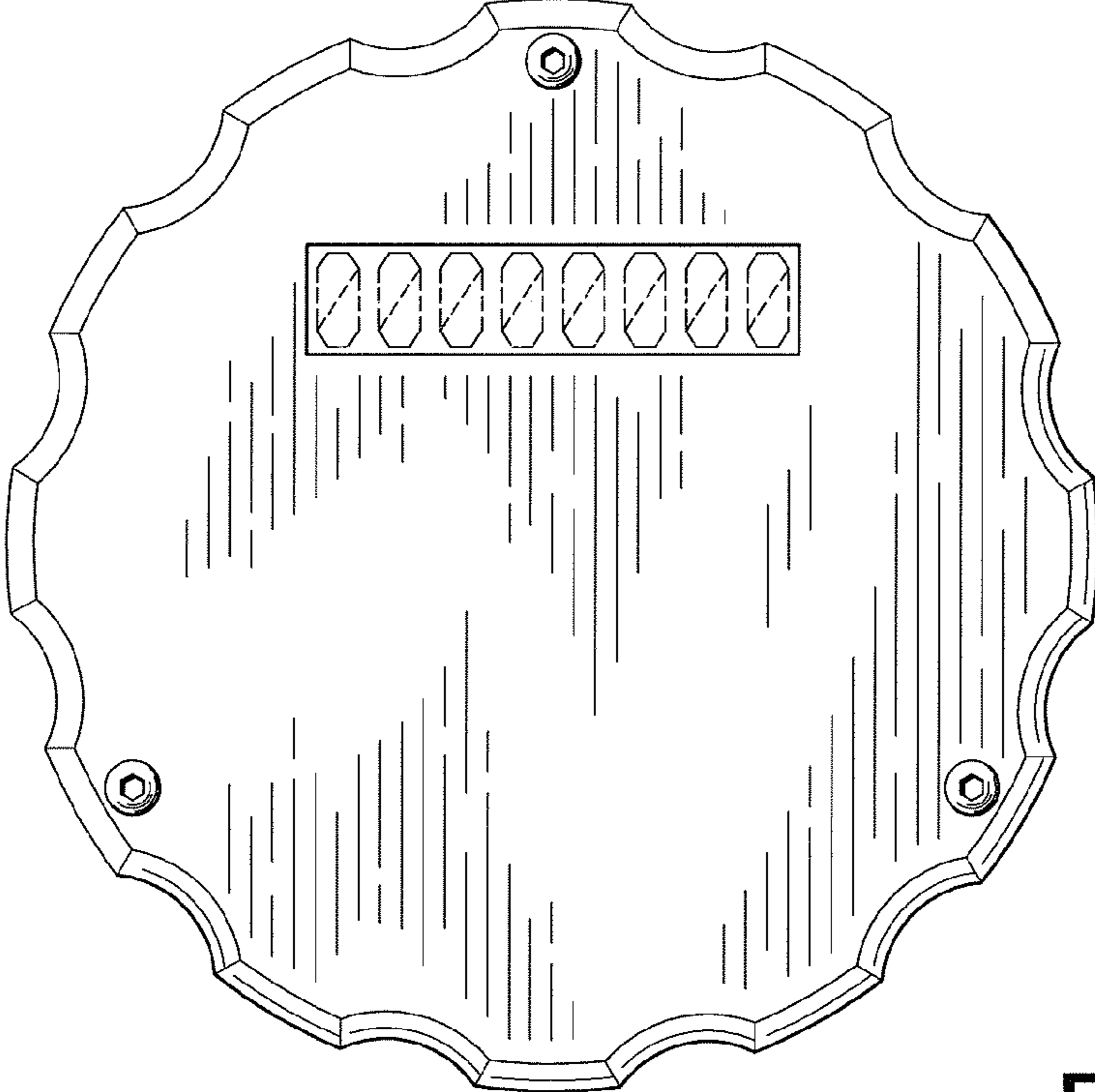


FIG. 6

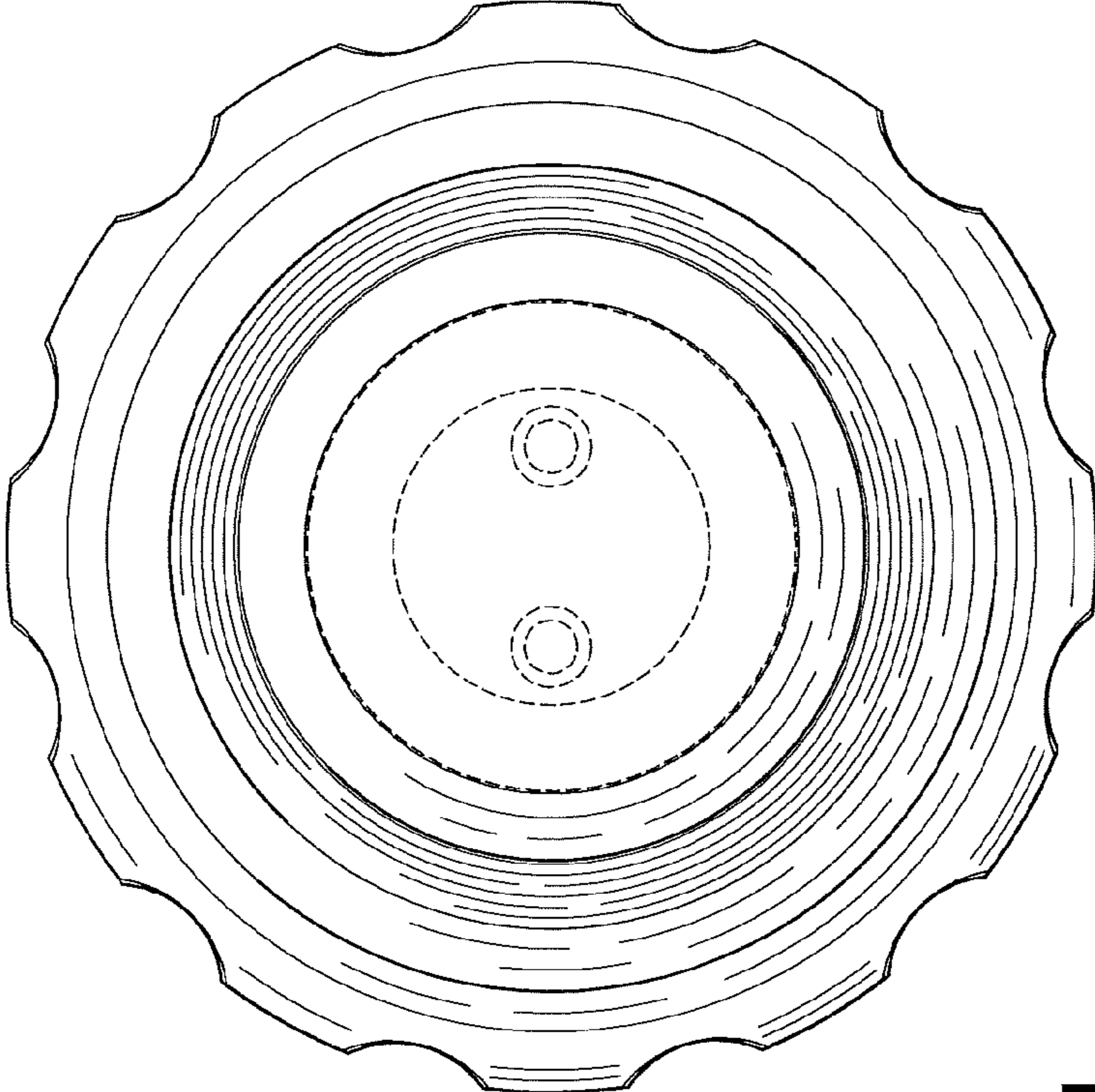


FIG. 7