



US00D569749S

(12) **United States Design Patent**
Silverio et al.

(10) **Patent No.:** **US D569,749 S**

(45) **Date of Patent:** **** May 27, 2008**

(54) **NETWORK TEST INSTRUMENT**

D543,475 S * 5/2007 Janky D10/78

* cited by examiner

(75) Inventors: **Derek Silverio**, Seattle, WA (US);
Wayne S. Hoofnagle, Redmond, WA
(US)

Primary Examiner—Antoine D. Davis

(74) *Attorney, Agent, or Firm*—Robert A. Koske; James H. Walters

(73) Assignee: **Fluke Corporation**, Everett, WA (US)

(57) **CLAIM**

(**) Term: **14 Years**

We claim the ornamental design for a network test instrument, as shown and described.

(21) Appl. No.: **29/277,829**

(22) Filed: **Mar. 9, 2007**

DESCRIPTION

(51) **LOC (8) Cl.** **10-04**

FIG. 1 is a perspective view of the design for a network test instrument;

(52) **U.S. Cl.** **D10/78**

FIG. 2 is a front plan view of the design of FIG. 1;

(58) **Field of Classification Search** D10/78;
370/248–249; 375/224–225; 379/1.04,
379/15.03, 22.01–22.04; 324/72.5, 110,
324/114–115, 149, 151 A, 151 R, 156, 158 F;
340/653, 660; 439/482

FIG. 3 is a left side elevation view of the design of FIG. 1;

FIG. 4 is a right side elevation view of the design of FIG. 1;

FIG. 5 is a top elevation view of the design of FIG. 1;

FIG. 6 is a bottom elevation view of the design of FIG. 1;
and,

See application file for complete search history.

FIG. 7 is a rear plan view of the design of FIG. 1.

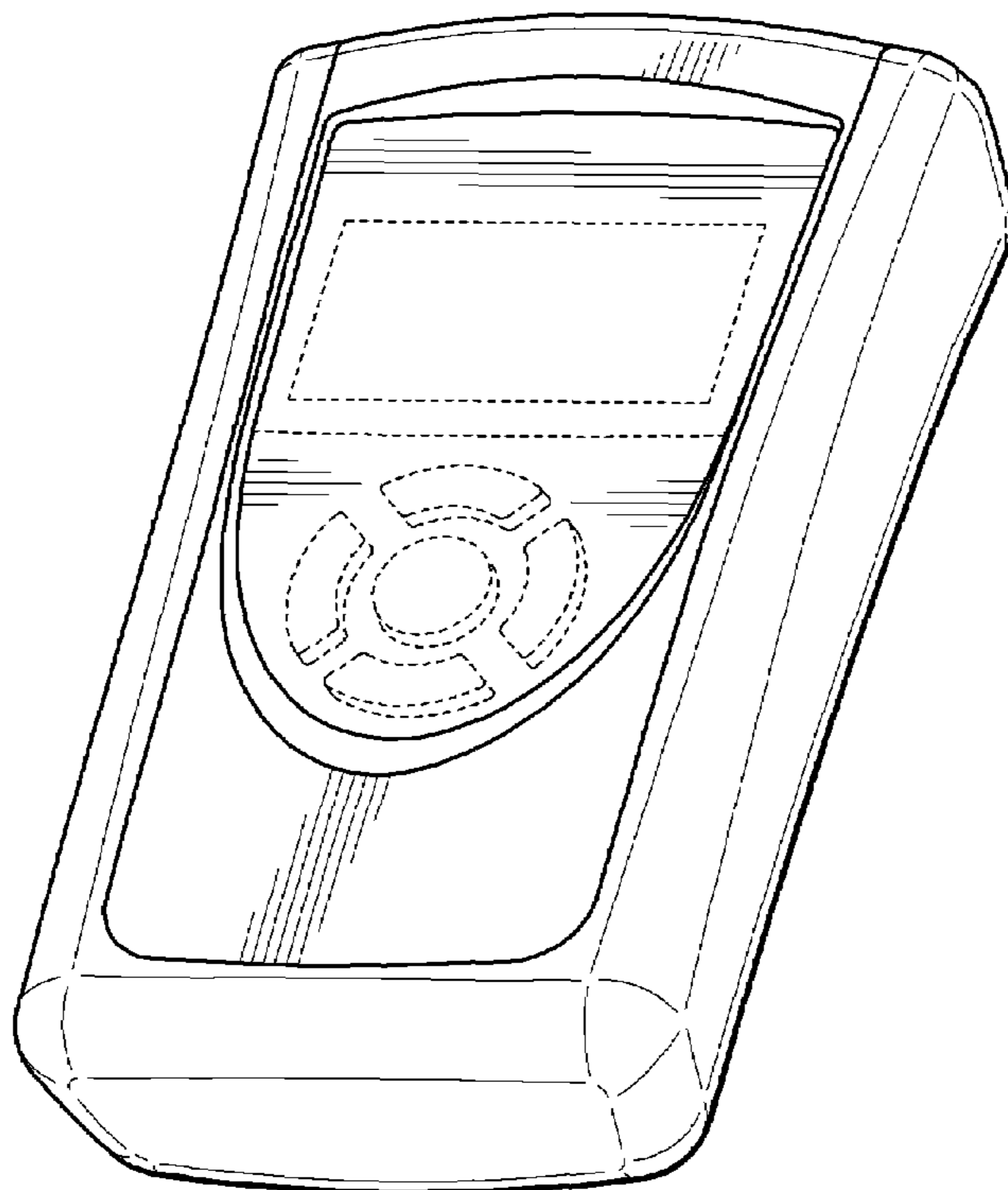
(56) **References Cited**

The broken line showing of elements of the network test instrument are included for the purpose of illustrating non-claimed subject matter and forms no part of the claimed design.

U.S. PATENT DOCUMENTS

- D351,112 S * 10/1994 Fisher et al. D10/78
- D355,138 S * 2/1995 Hoofnagle et al. D10/78
- D363,440 S * 10/1995 Hoofnagle et al. D10/78
- D424,456 S * 5/2000 Hoofnagle et al. D10/78
- D510,533 S * 10/2005 Hoofnagle D10/78

1 Claim, 5 Drawing Sheets



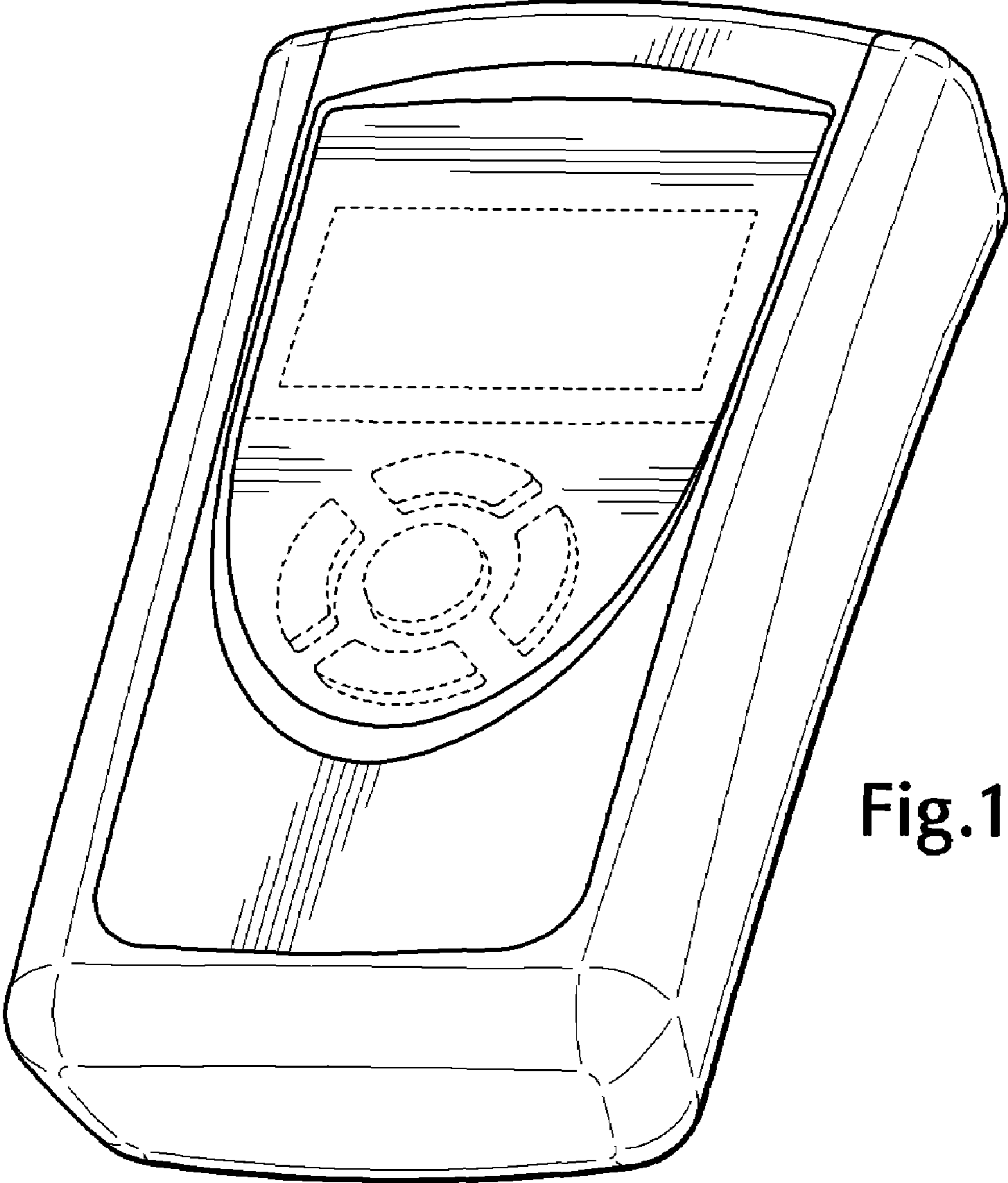


Fig.1

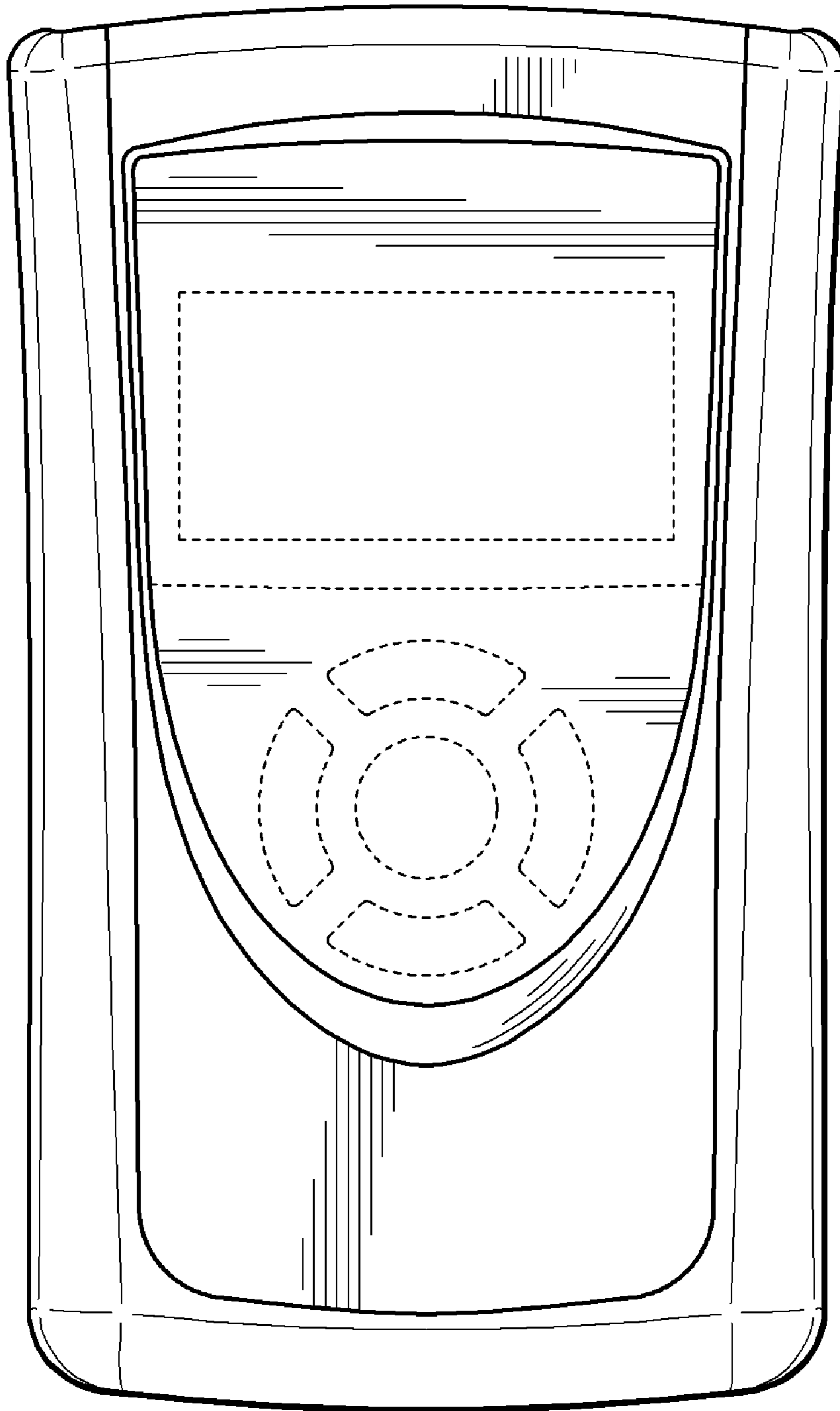


Fig.2

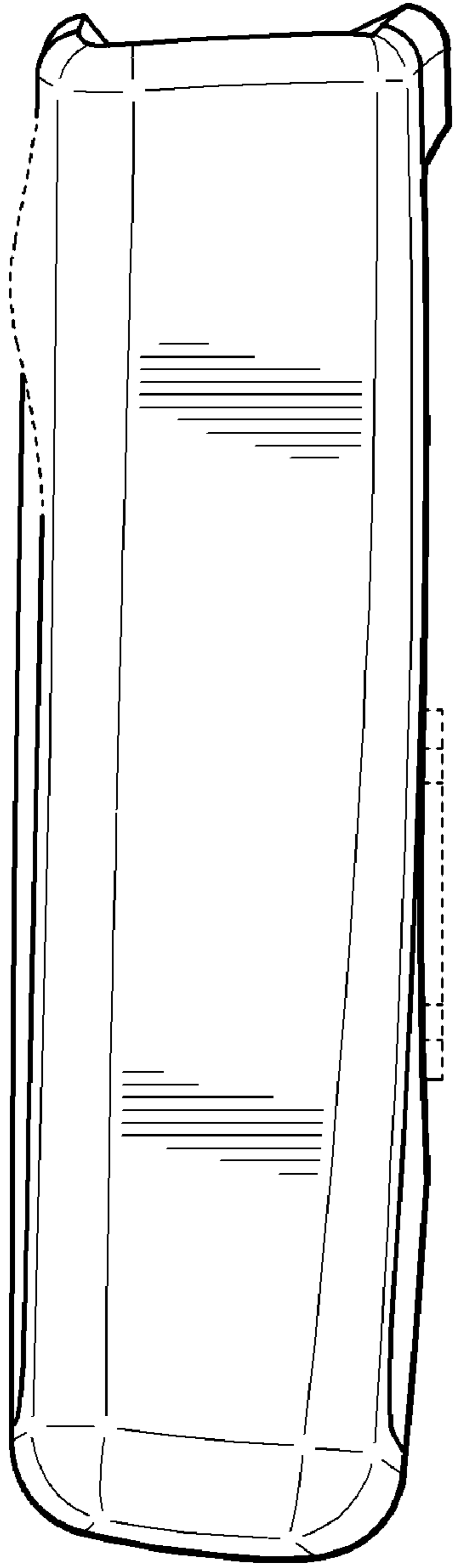


Fig.3

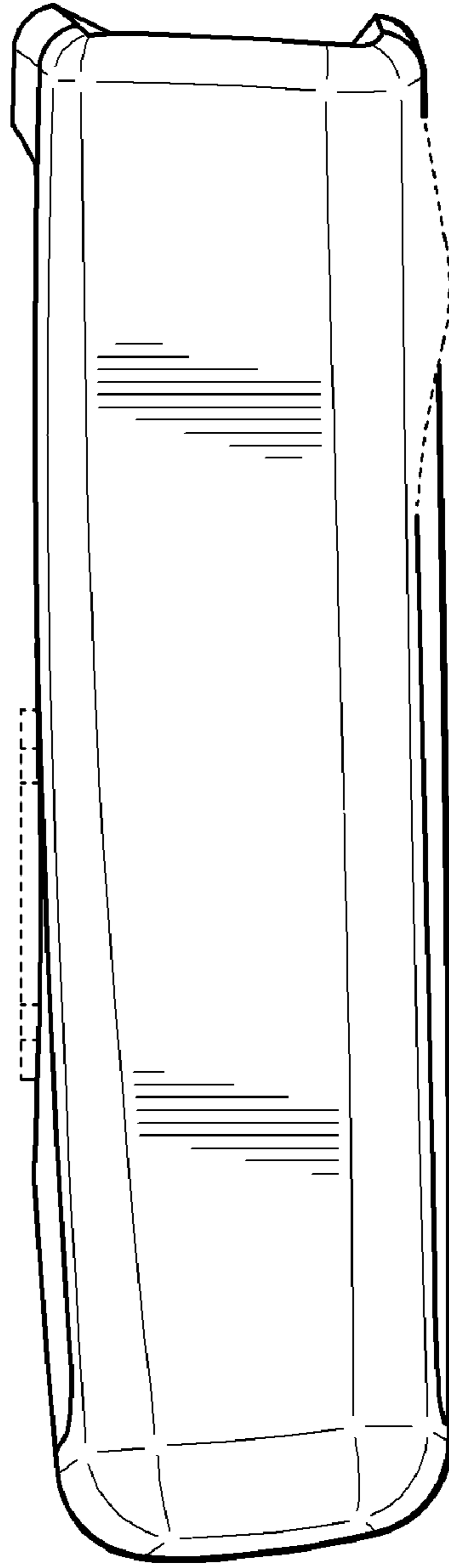


Fig.4

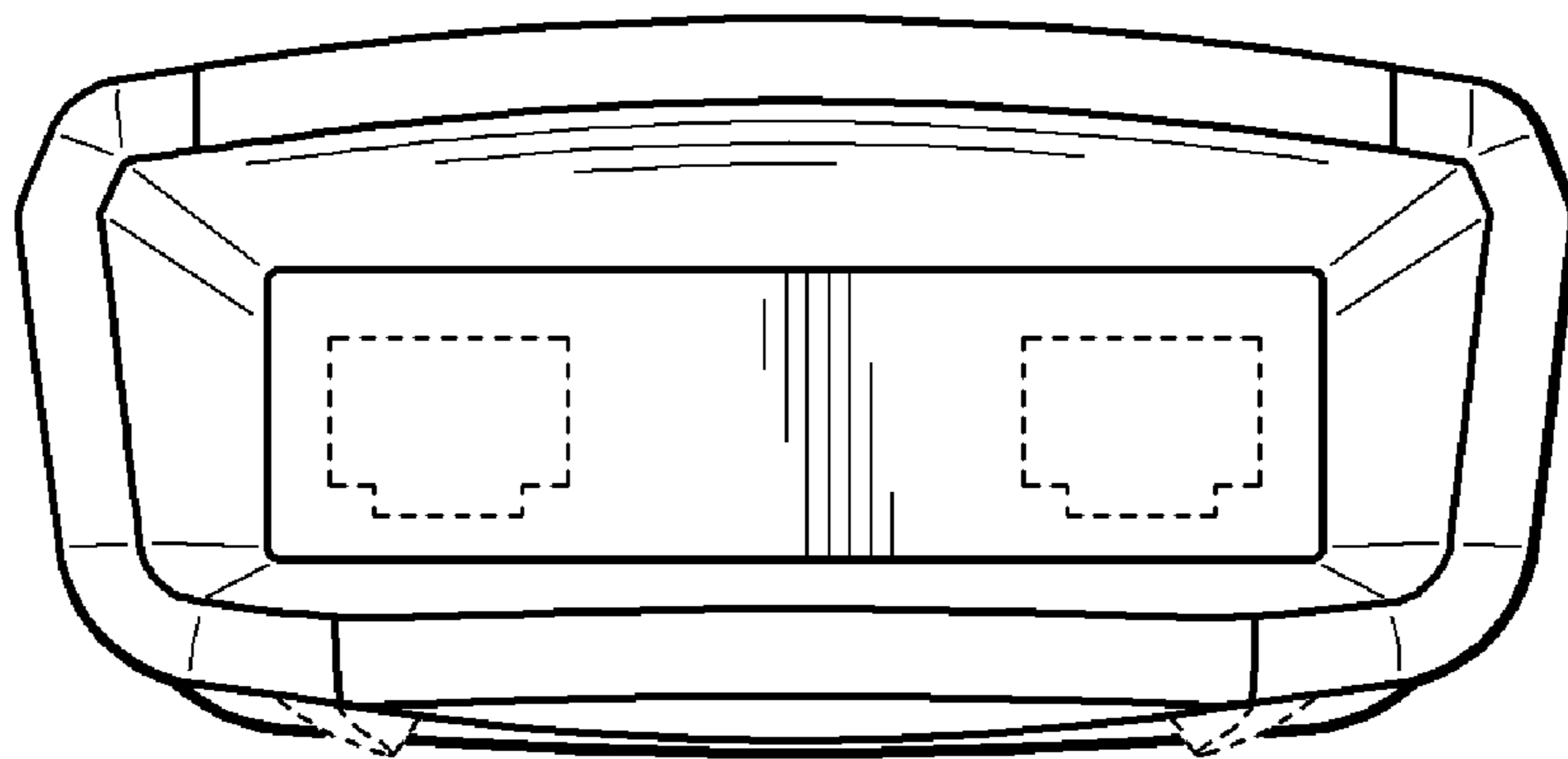


Fig.5

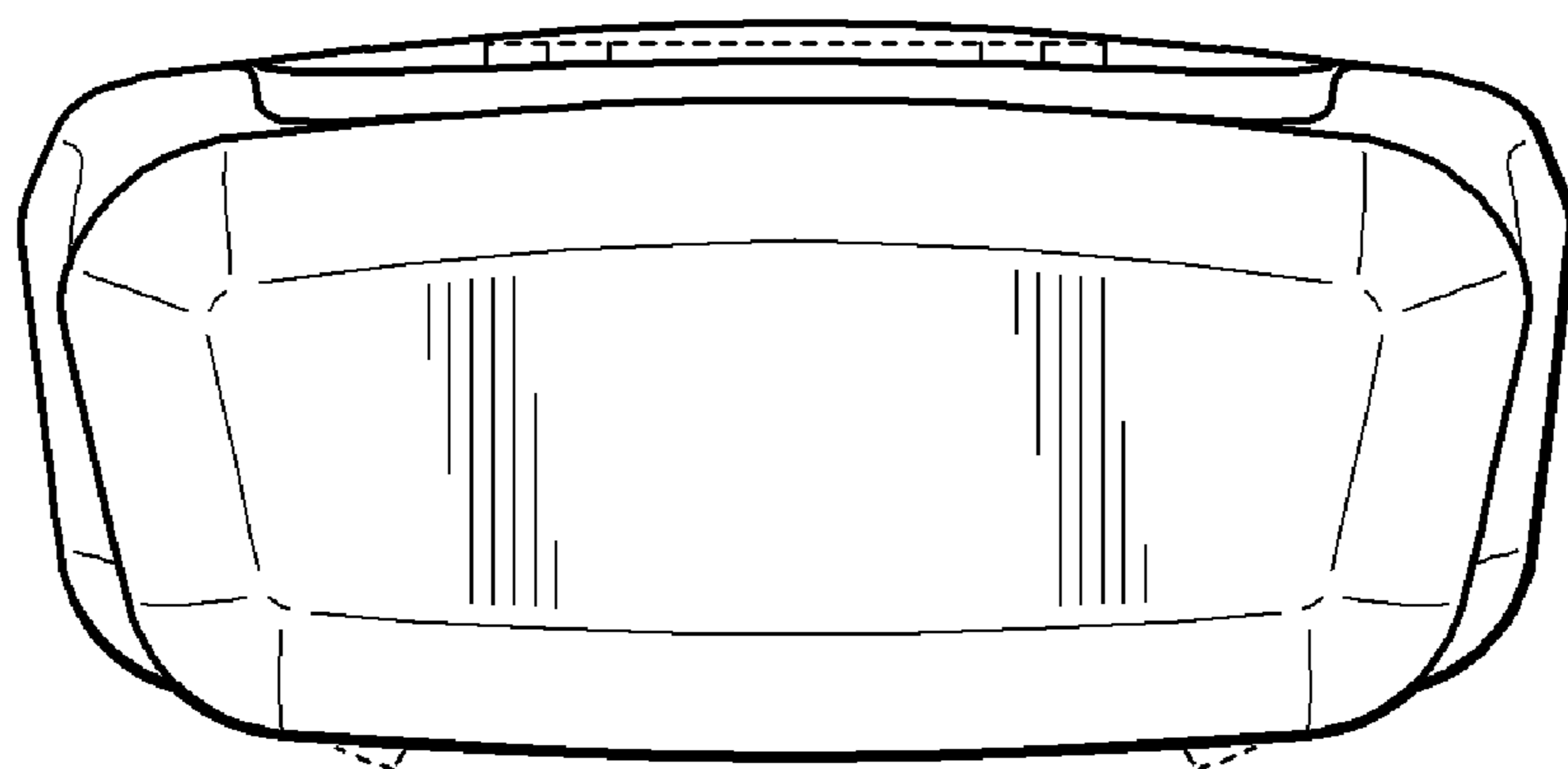


Fig.6

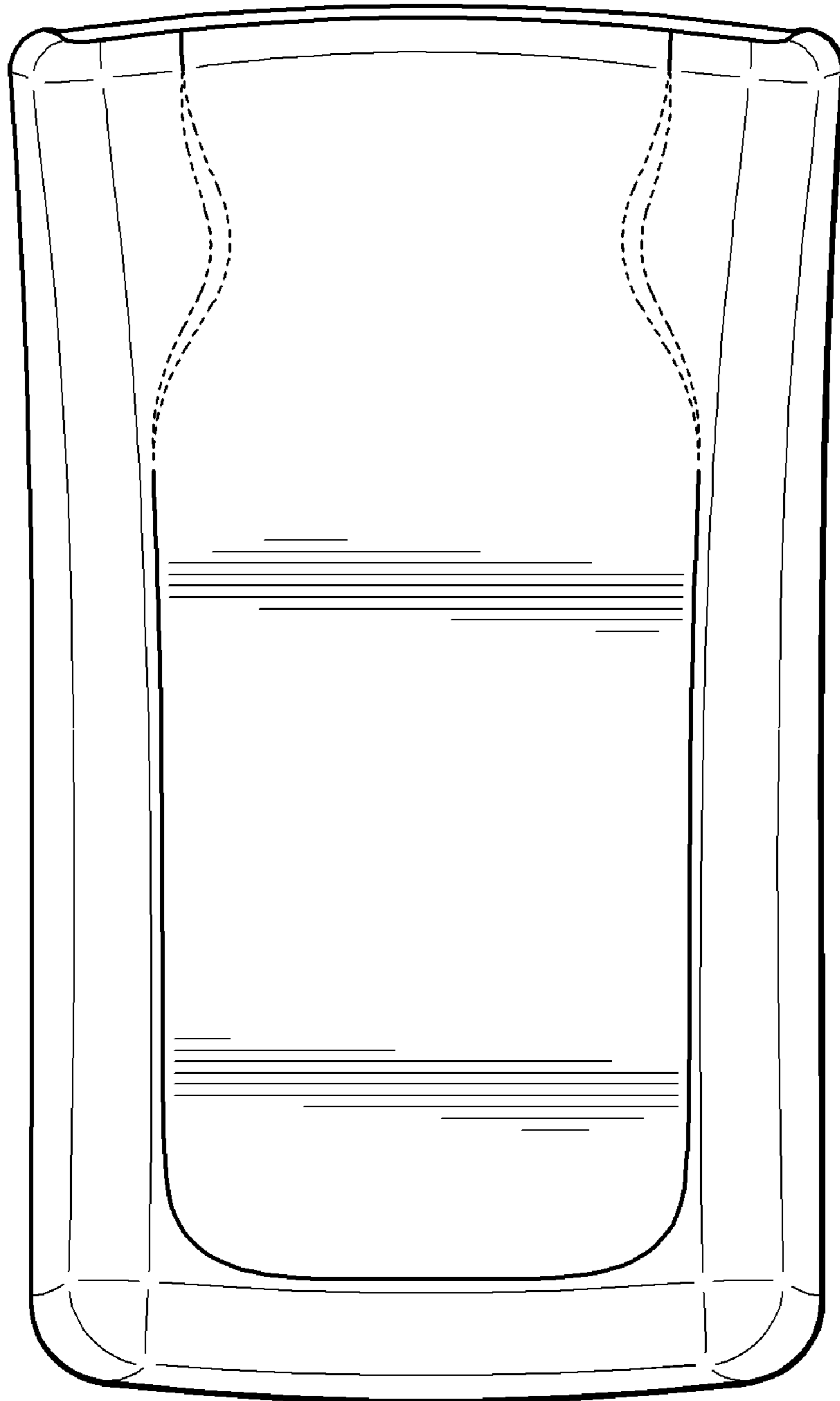


Fig.7