



US00D569748S

(12) **United States Design Patent**  
**Caldi**

(10) **Patent No.:** **US D569,748 S**

(45) **Date of Patent:** **\*\* May 27, 2008**

(54) **COMBINATION TAPE MEASURE AND  
HAMMER**

D375,033 S \* 10/1996 Edwards ..... D8/81  
\* cited by examiner

(76) Inventor: **Anthony B. Caldi**, 17 Mills Ridge,  
Sparta, NJ (US) 07871

*Primary Examiner*—Antoine D. Davis  
(74) *Attorney, Agent, or Firm*—Doherty IP Law Group LLC

(\*\*) Term: **14 Years**

(57) **CLAIM**

(21) Appl. No.: **29/291,098**

The ornamental design for combination tape measure and hammer, as shown and described.

(22) Filed: **Aug. 14, 2007**

**DESCRIPTION**

(51) **LOC (8) Cl.** ..... **10-04**

FIG. 1 is a top perspective view of one embodiment of the subject combination tape measure and hammer;

(52) **U.S. Cl.** ..... **D10/72**; D8/81

FIG. 2 is a front plan view thereof;

(58) **Field of Classification Search** ..... D8/81;  
D10/72; 7/143, 146, 164; 33/760; 81/20,  
81/21, 23, 24

FIG. 3 is a left side view thereof;

See application file for complete search history.

FIG. 4 is a top plan view thereof;

FIG. 5 is a rear view thereof;

(56) **References Cited**

FIG. 6 is a right side view thereof; and,

**U.S. PATENT DOCUMENTS**

FIG. 7 is a bottom plan view thereof.

1,421,287 A \* 6/1922 Moore ..... 7/142

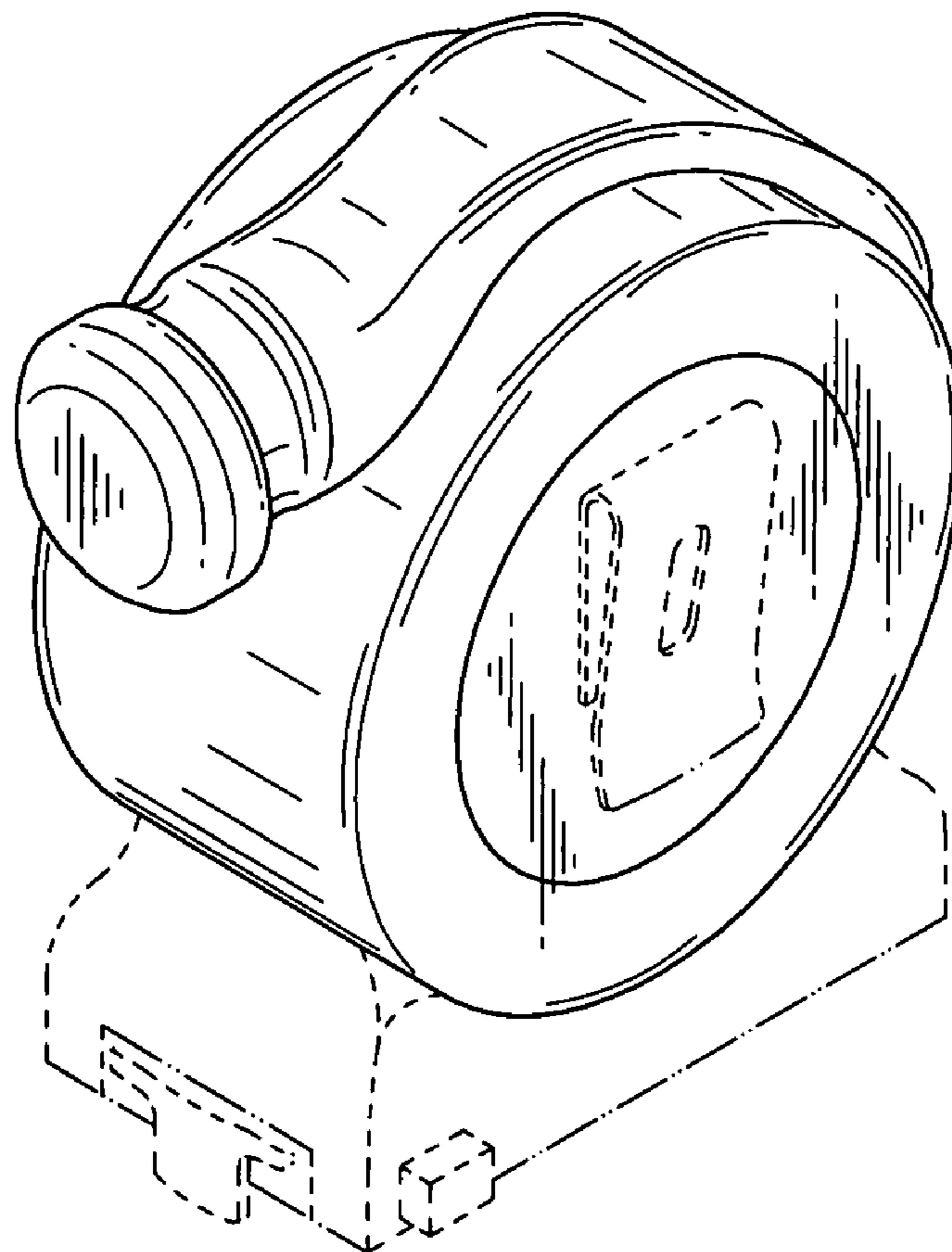
The broken line showing is included for the purpose of illustrating non-claimed subject matter and forms no part of the claimed design.

1,551,779 A \* 9/1925 Anderson ..... 7/146

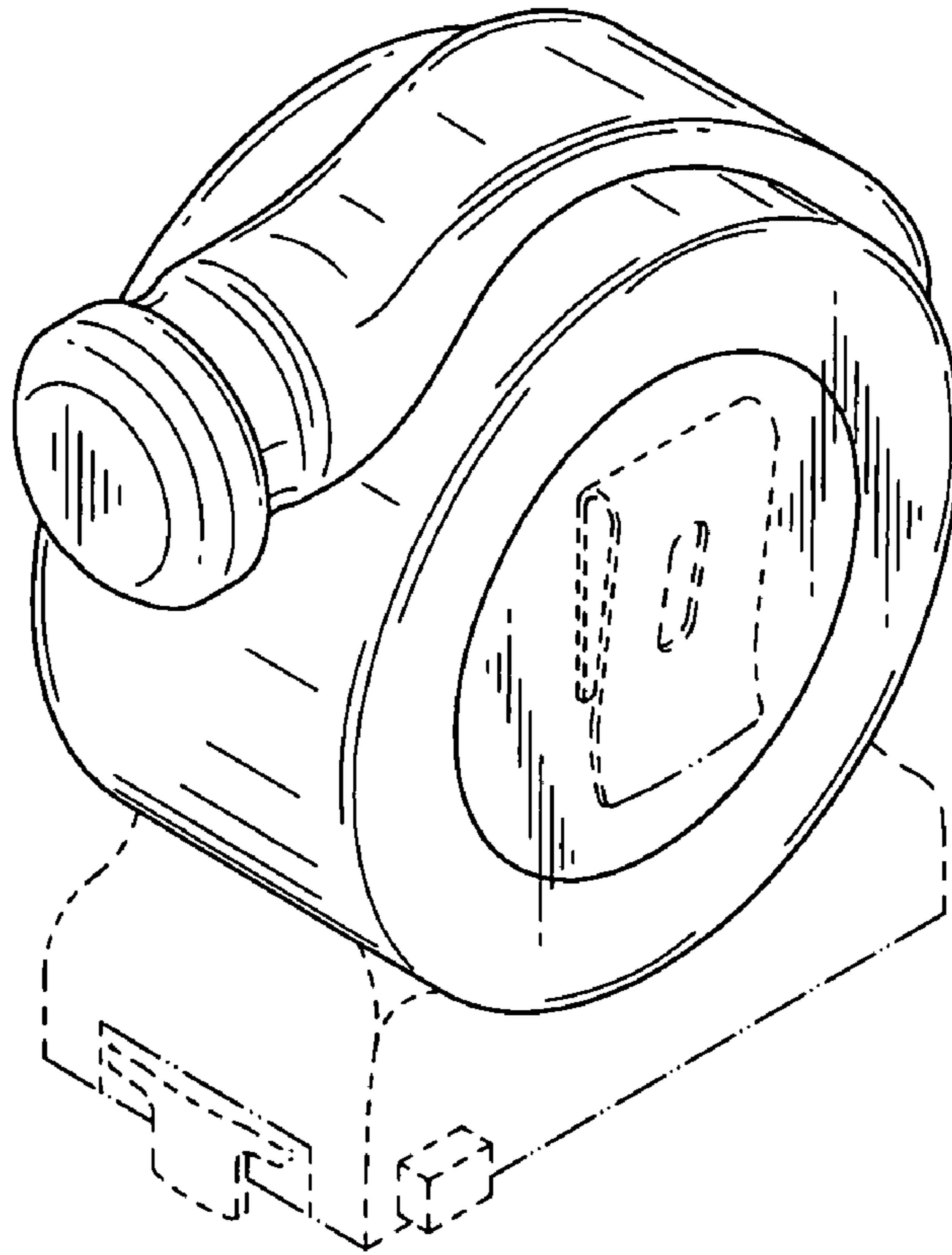
2,483,193 A \* 9/1949 Glaskin ..... 7/143

2,501,757 A \* 3/1950 Cagle ..... 33/485

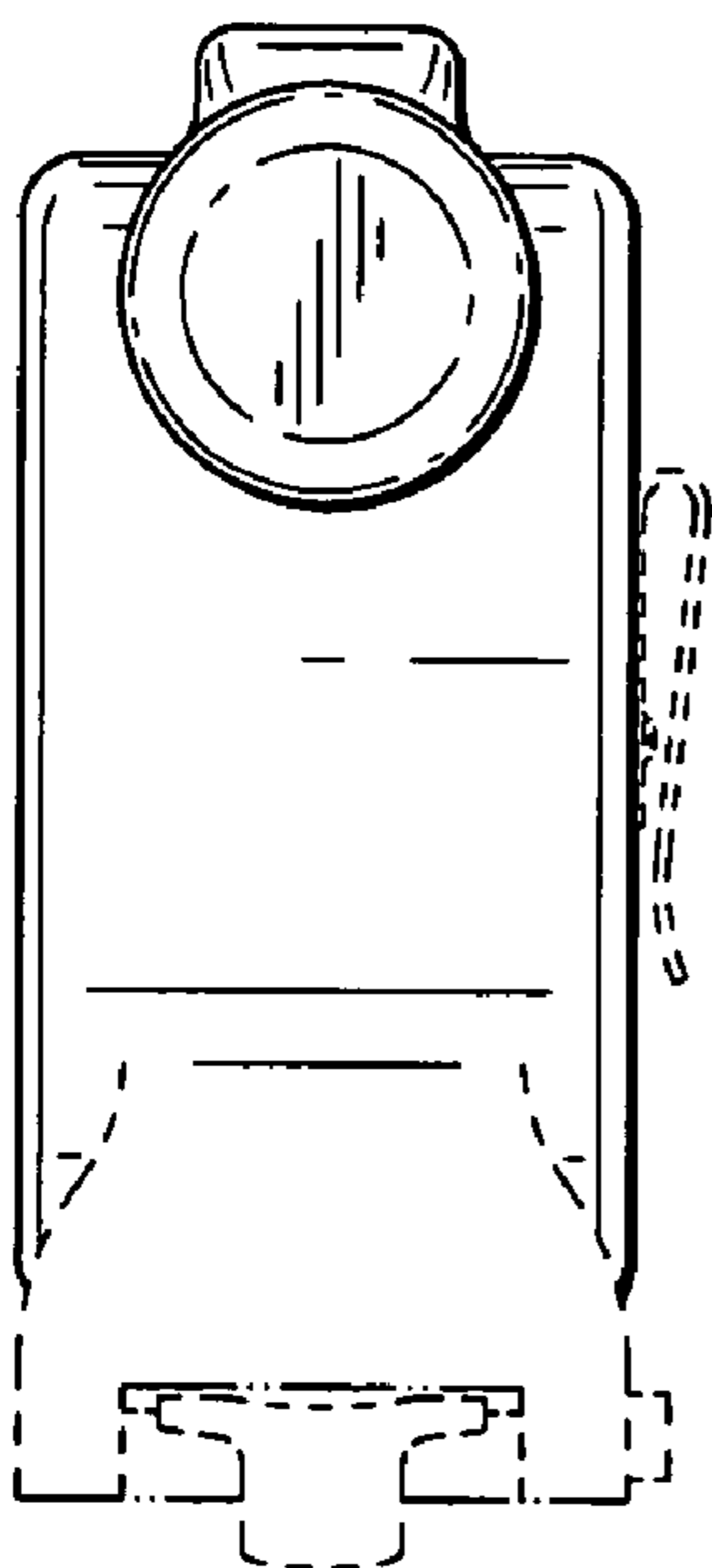
**1 Claim, 2 Drawing Sheets**



**FIG. 1**



**FIG. 2**



**FIG. 3**

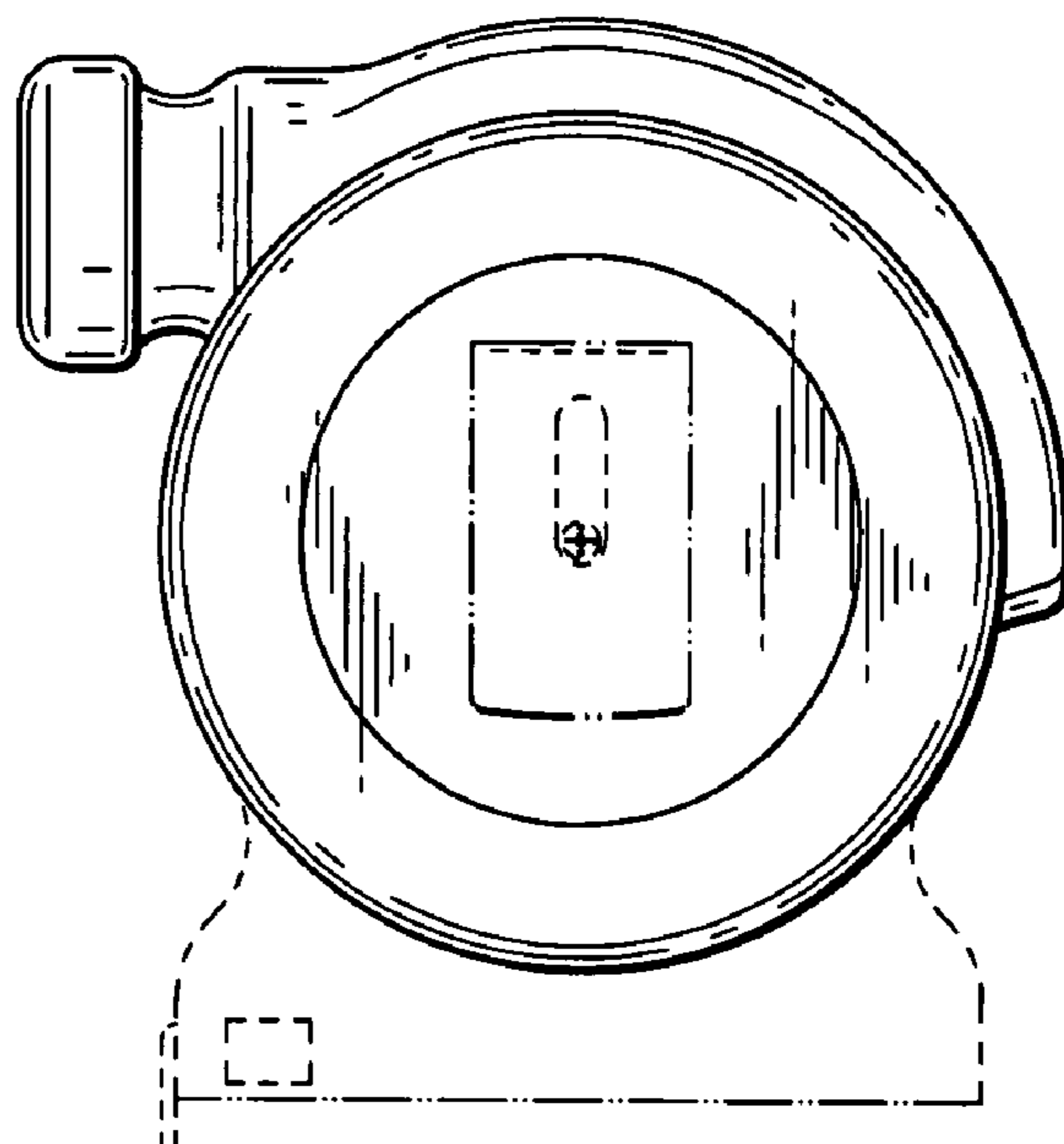


FIG. 4

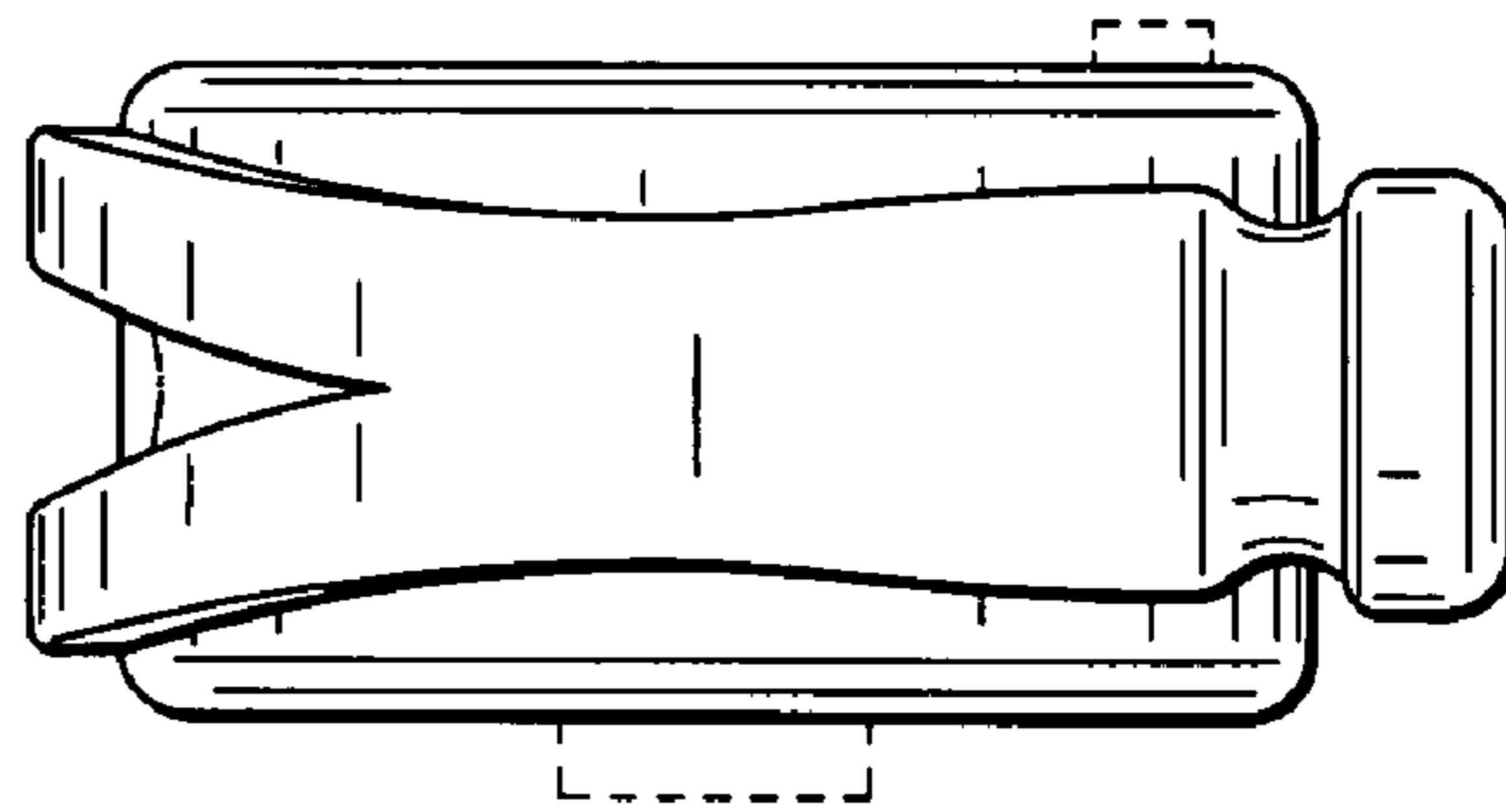


FIG. 5

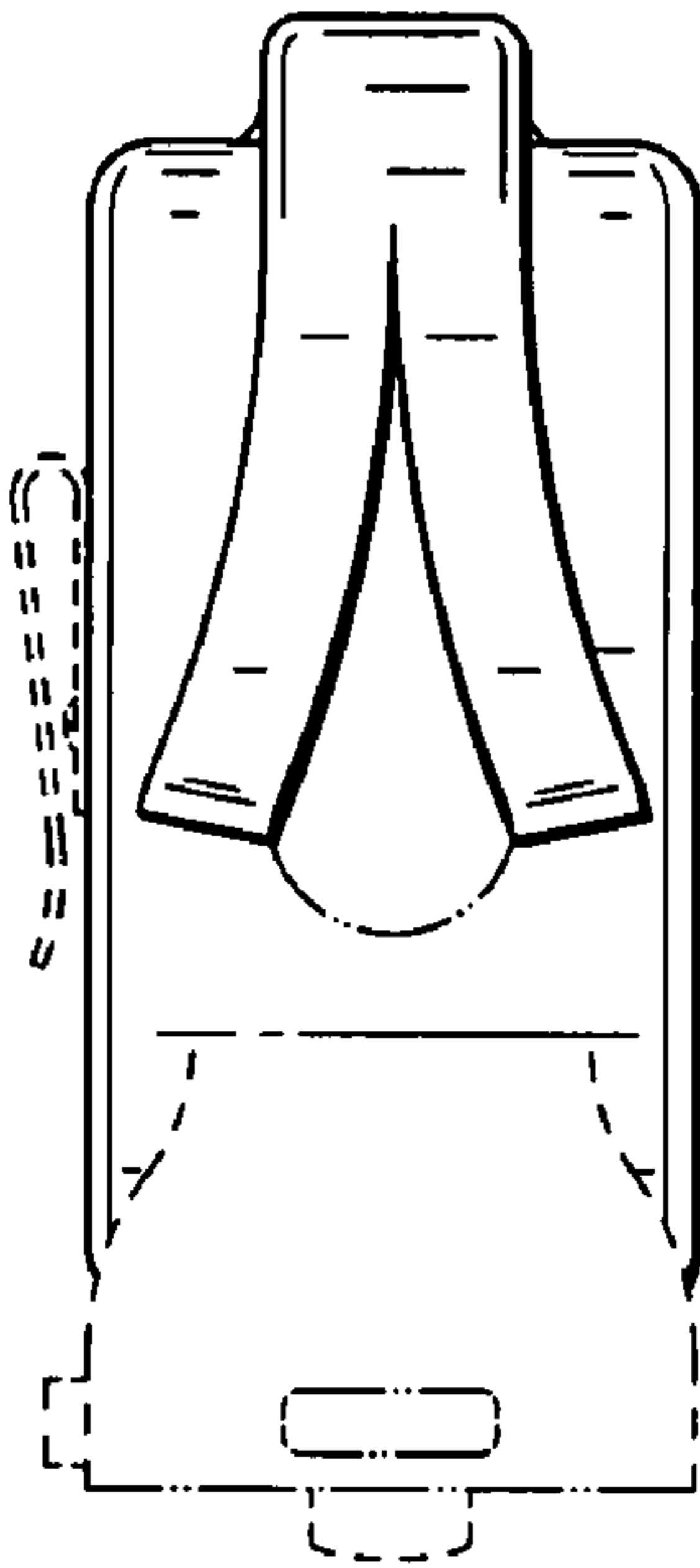


FIG. 6

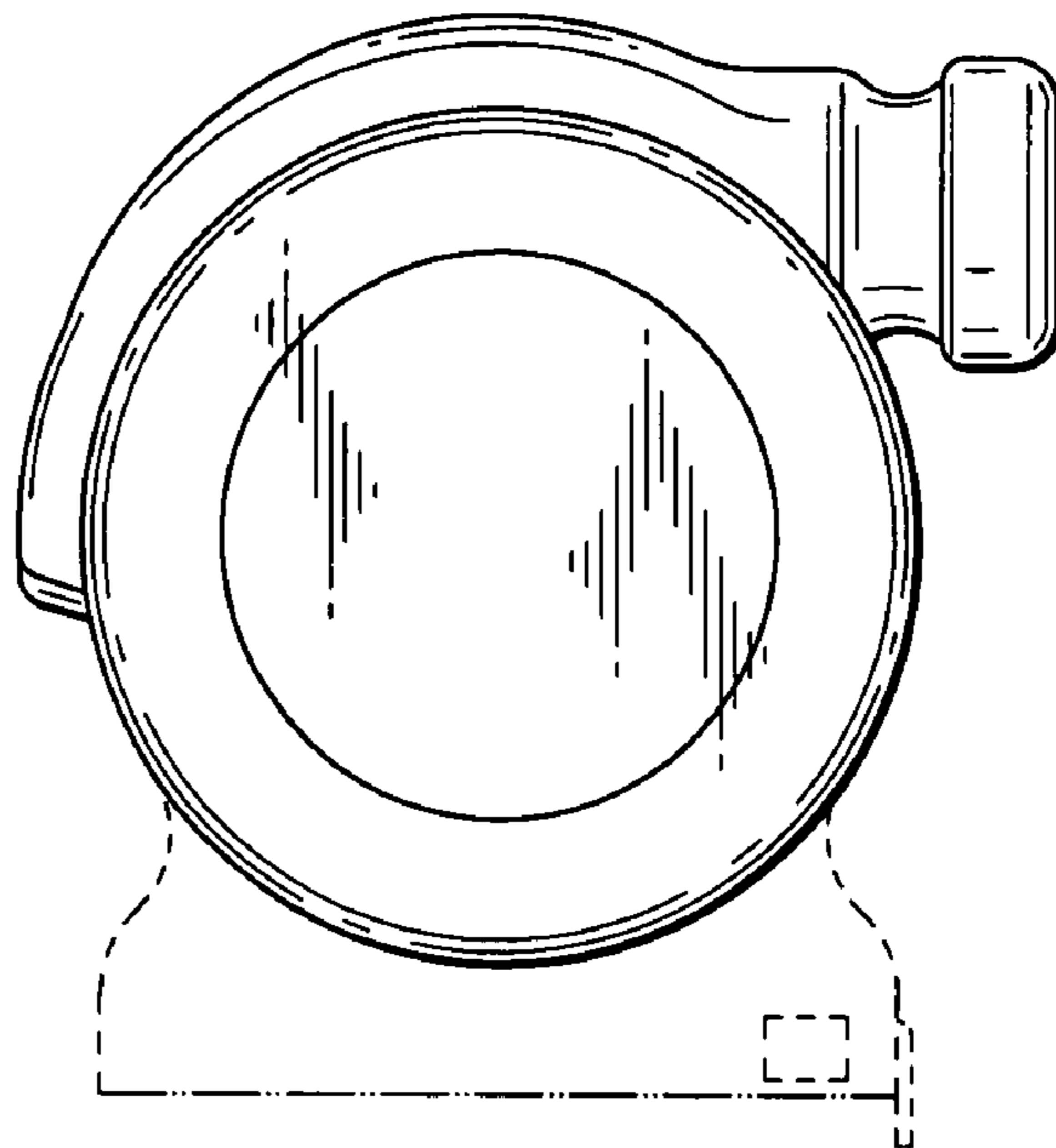


FIG. 7

