

US00D569746S

(12) **United States Design Patent**  
**Scott**

(10) **Patent No.:** **US D569,746 S**

(45) **Date of Patent:** **\*\* May 27, 2008**

(54) **PROXIMITY MEASURING DEVICE FOR GOLF**

2005/0011082 A1 1/2005 Smith

\* cited by examiner

(76) Inventor: **Kipp E. Scott**, 591 James Dr., Noblesville, IN (US) 46060

*Primary Examiner*—Antoine D Davis

(\*\*) Term: **14 Years**

(57) **CLAIM**

(21) Appl. No.: **29/284,860**

The ornamental design for a proximity measuring device for golf, as shown and described.

(22) Filed: **Sep. 17, 2007**

**DESCRIPTION**

(51) **LOC (8) Cl.** ..... **10-04**

(52) **U.S. Cl.** ..... **D10/70**

(58) **Field of Classification Search** ..... D10/70,  
D10/71; 33/613, 1 LE, 508, 137, 138, 413,  
33/414, 759, 770; 273/DIG. 21, 84.8

See application file for complete search history.

FIG. 1 is a front elevation view of a proximity measuring device for golf showing my new design with the housing and support cup shown separately for clarity;

FIG. 2 is a rear elevation view thereof;

FIG. 3 is a right elevation view thereof;

FIG. 4 is a left elevation view thereof;

FIG. 5 is a top plan view thereof; and,

FIG. 6 is a bottom plan view thereof.

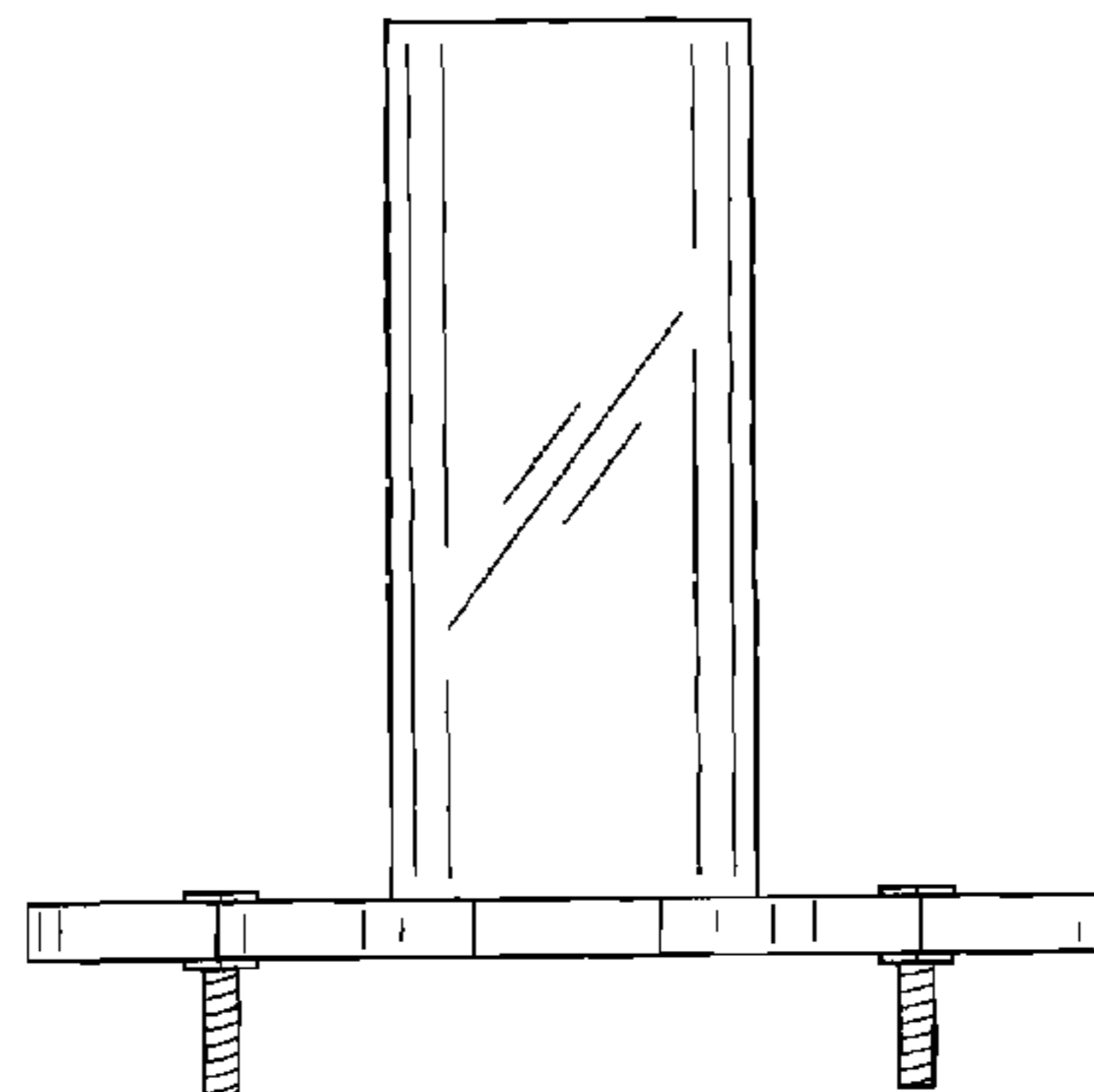
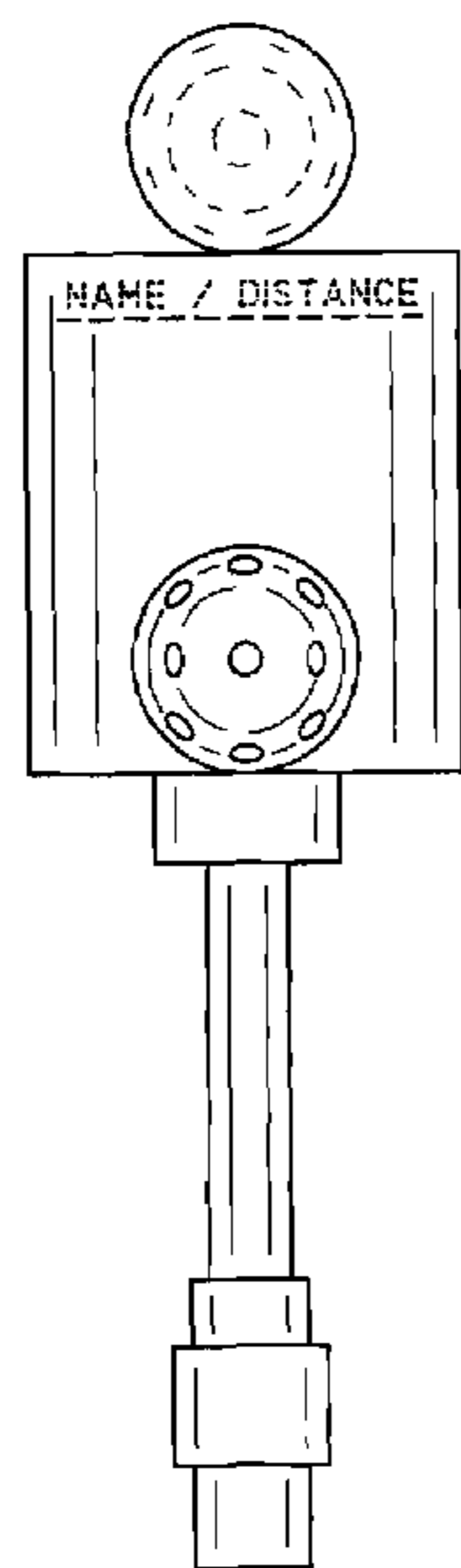
The broken lines shown in FIG. 1 are for illustrative purposes only and form no part of the claimed design.

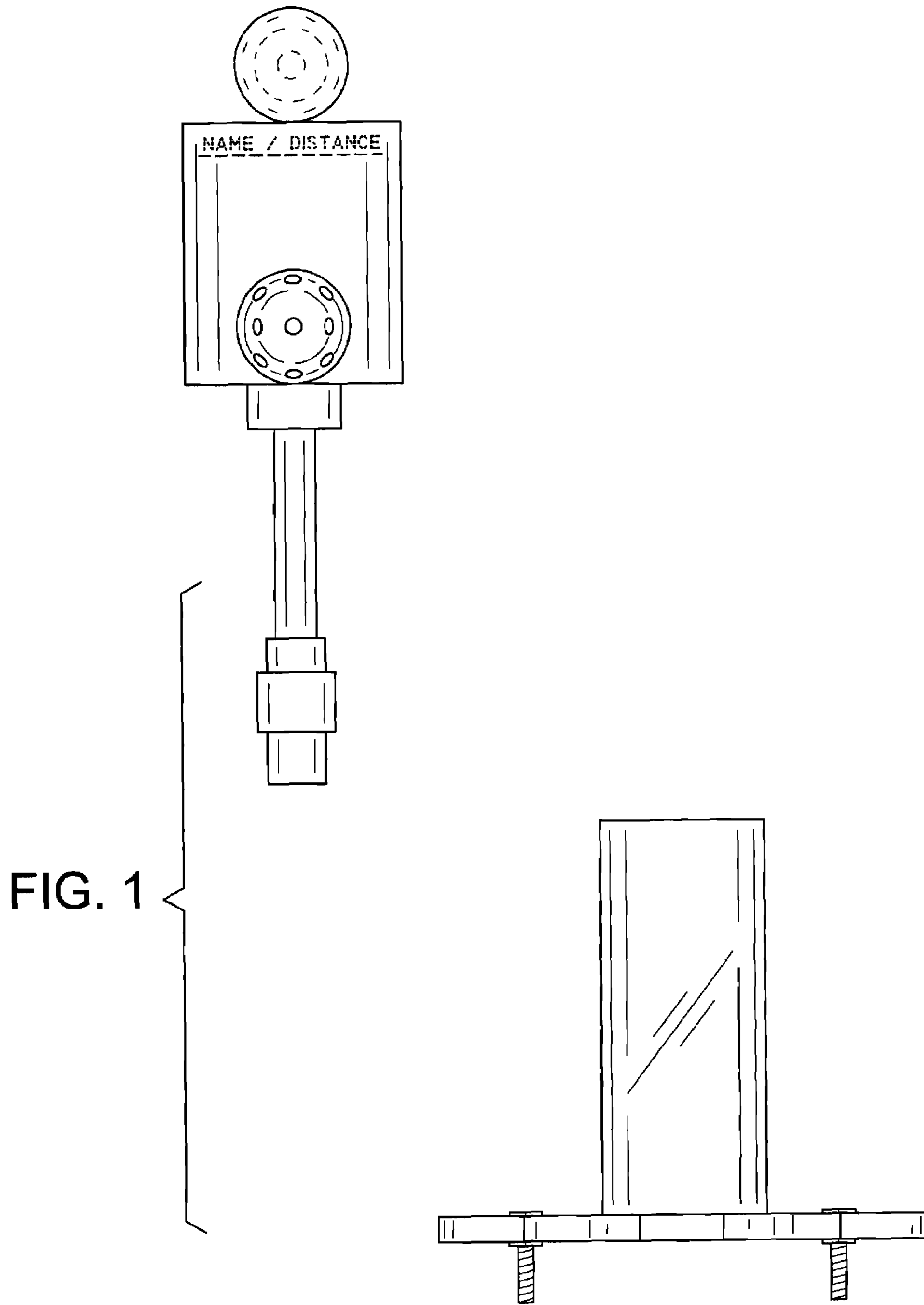
(56) **References Cited**

**U.S. PATENT DOCUMENTS**

3,834,030 A *	9/1974	Hanson	.....	33/770
4,532,712 A	8/1985	Vistain		
D305,306 S	1/1990	Casiello		
D340,196 S	10/1993	Tong		

**1 Claim, 5 Drawing Sheets**





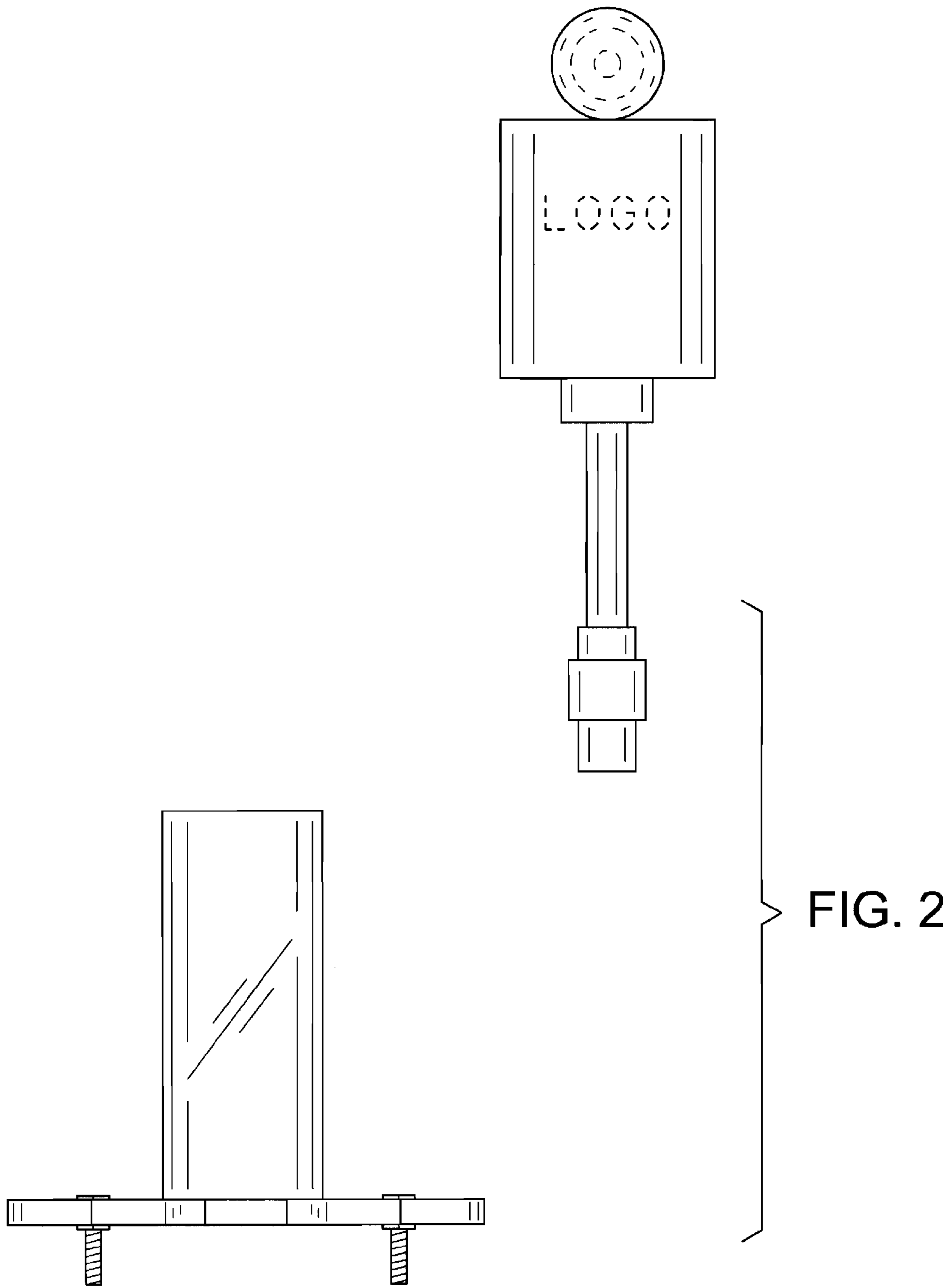
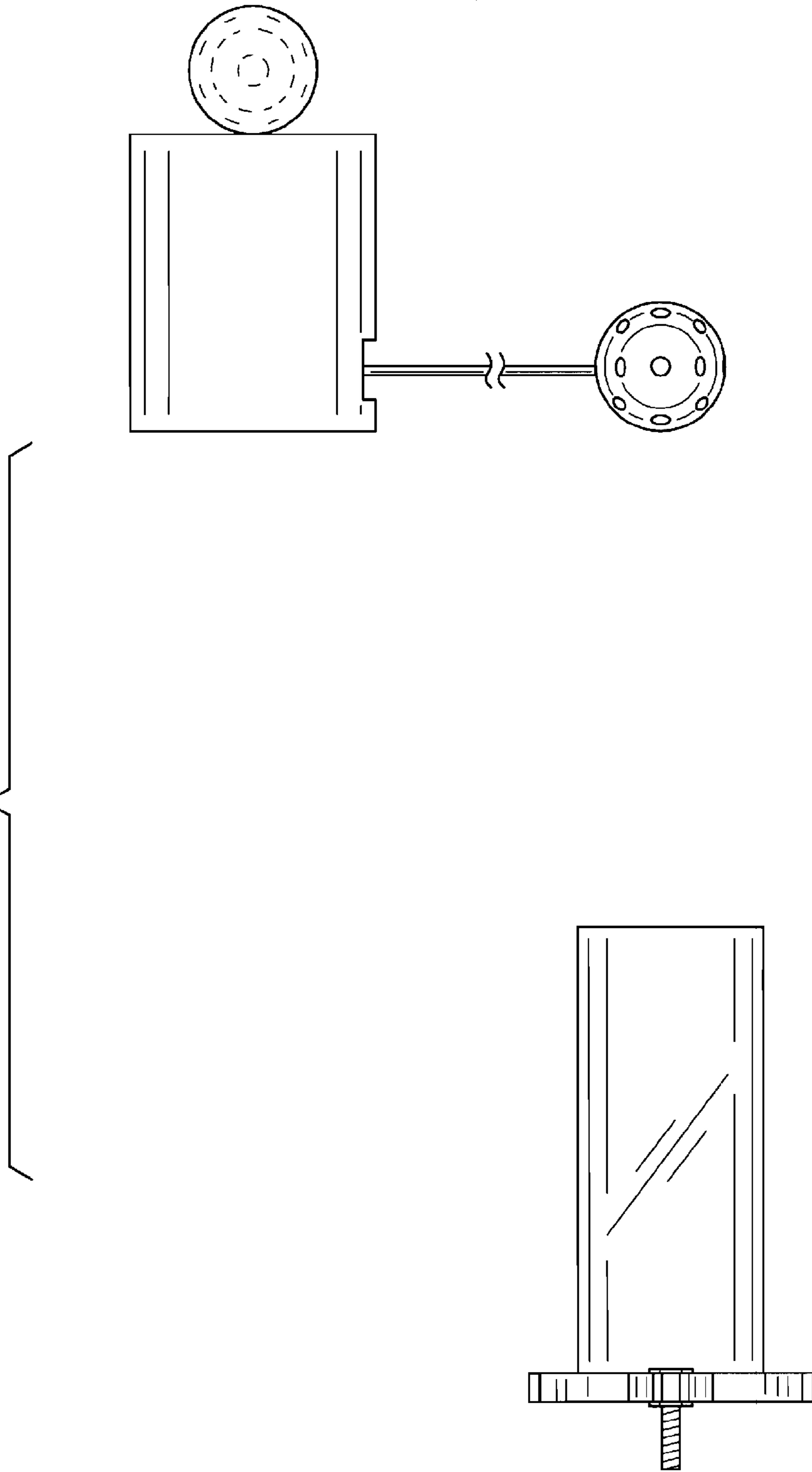
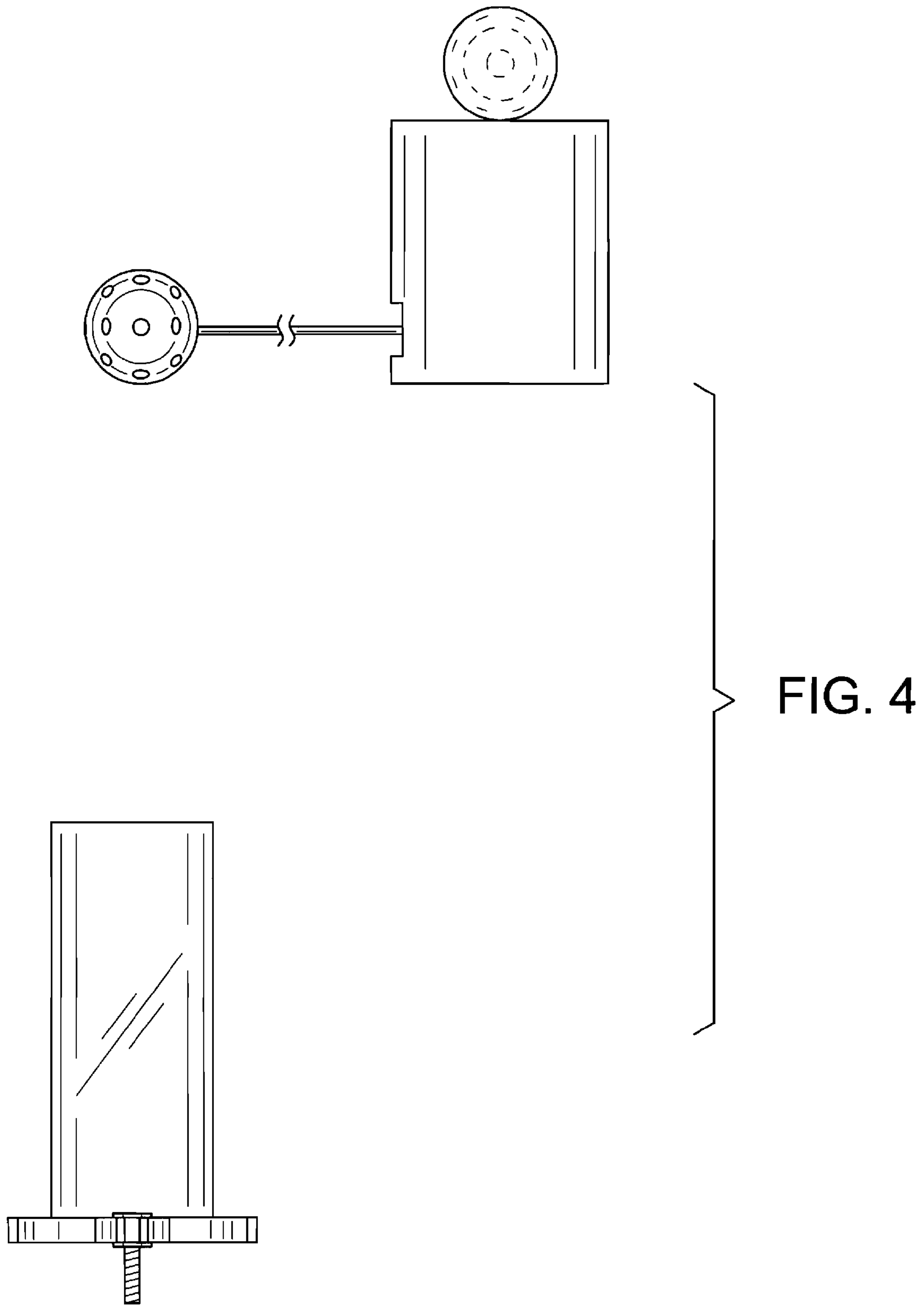


FIG. 3





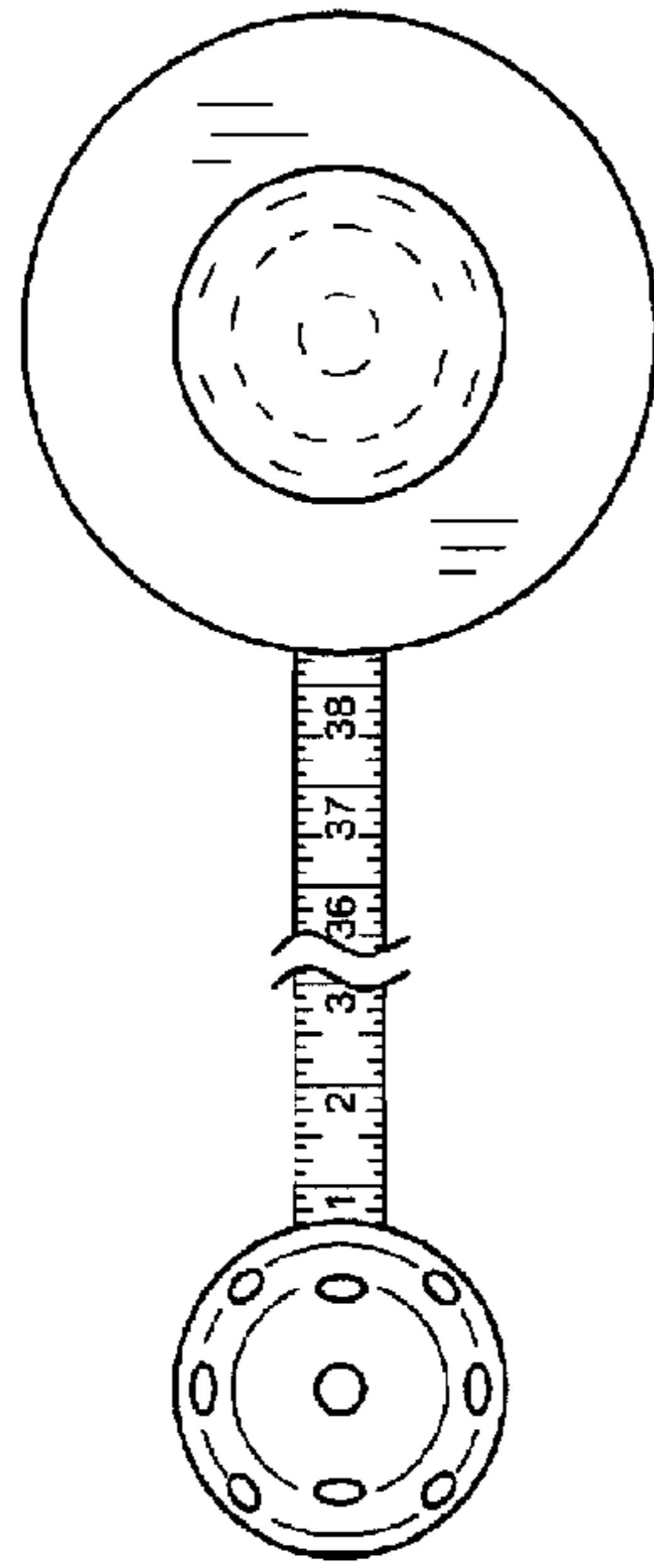


FIG. 5

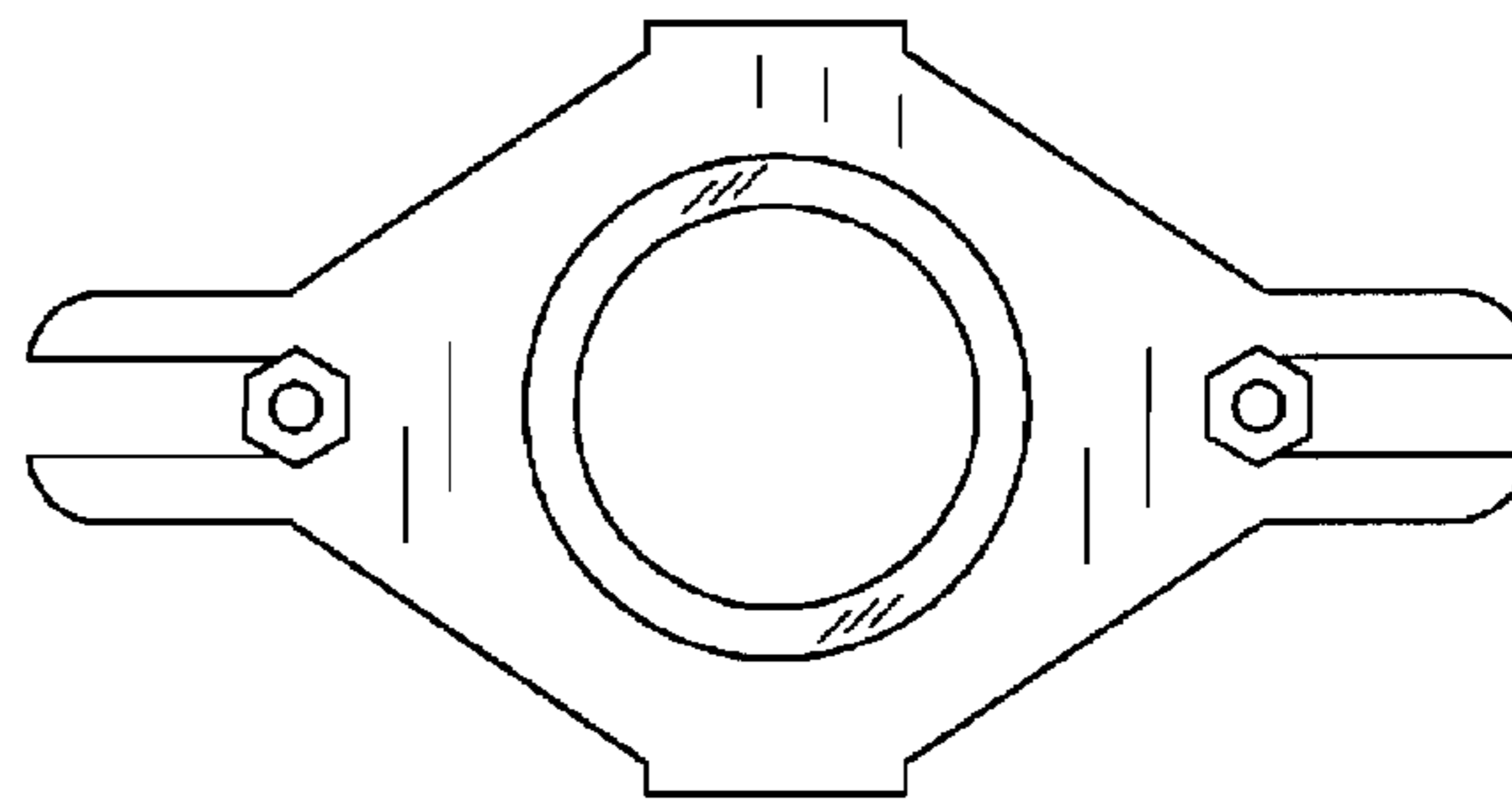
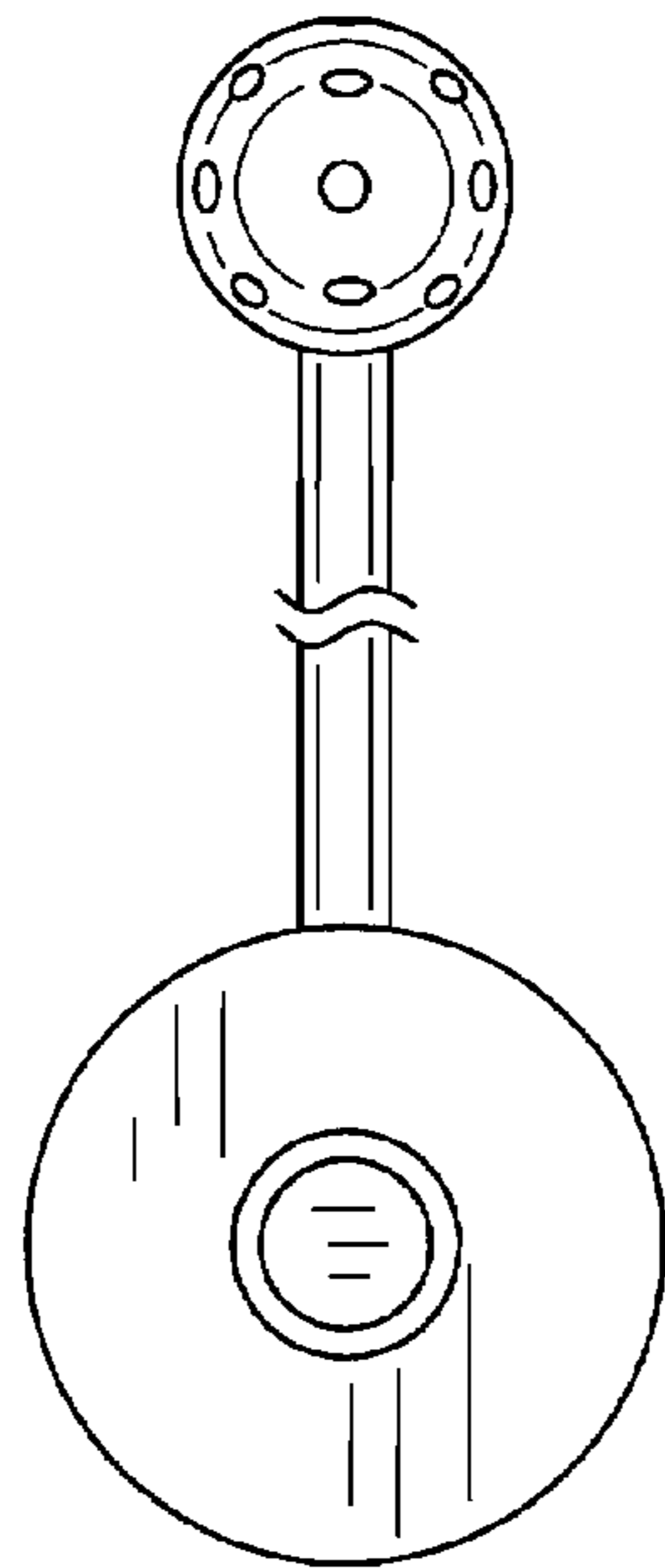
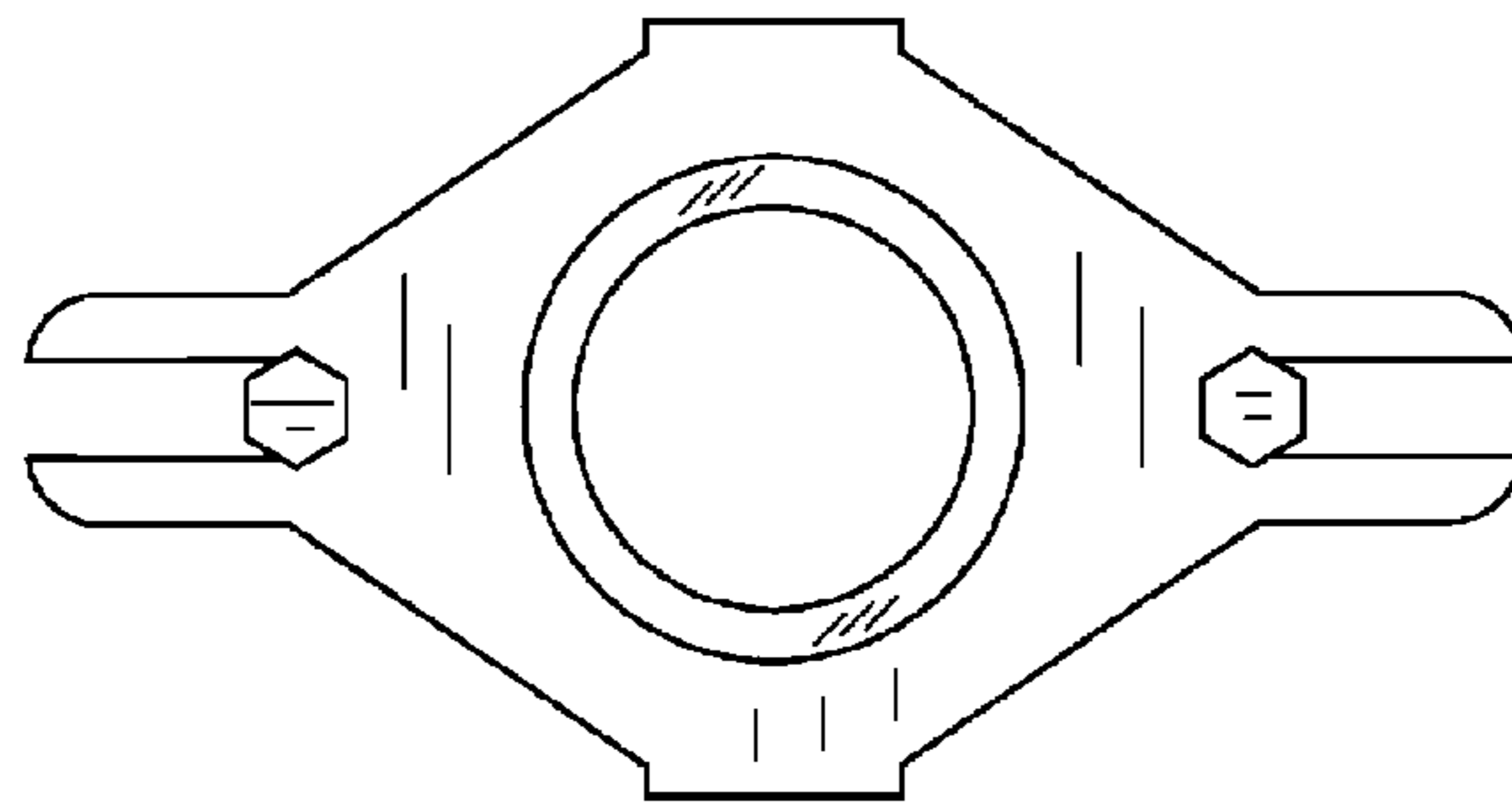


FIG. 6