



US00D569745S

(12) **United States Design Patent**
Bhavnani

(10) **Patent No.:** **US D569,745 S**

(45) **Date of Patent:** **** May 27, 2008**

(54) **TIMER CALCULATOR**

D545,700 S * 7/2007 Man D10/70

(75) Inventor: **Dilip Bhavnani**, Beverly Hills, CA
(US)

OTHER PUBLICATIONS

U.S. Appl. No. 11/008,304, Dilip Bhavnani.

U.S. Appl. No. 29/245,176, Dilip Bhavnani.

(73) Assignee: **Sun Coast Merchandise Corporation**,
Commerce, CA (US)

* cited by examiner

(**) Term: **14 Years**

Primary Examiner—Robert M. Spear

Assistant Examiner—George D Kirschbaum

(21) Appl. No.: **29/278,043**

(74) *Attorney, Agent, or Firm*—The Soni Law Firm

(22) Filed: **Mar. 16, 2007**

(57) **CLAIM**

Related U.S. Application Data

The ornamental design for a timer calculator, as shown and described.

(63) Continuation-in-part of application No. 29/247,755,
filed on Jul. 10, 2006, now Pat. No. Des. 543,877.

DESCRIPTION

(51) **LOC (8) Cl.** **10-03**

FIG. 1 is a front side top perspective view of the timer calculator showing my new design;

(52) **U.S. Cl.** **D10/41; D10/70**

FIG. 2 is a front elevational view thereof;

(58) **Field of Classification Search** D10/40–45,
D10/70, 97; D14/171

FIG. 3 is a top plan view thereof;

See application file for complete search history.

FIG. 4 is a left side view thereof;

FIG. 5 is a right side view thereof;

(56) **References Cited**

U.S. PATENT DOCUMENTS

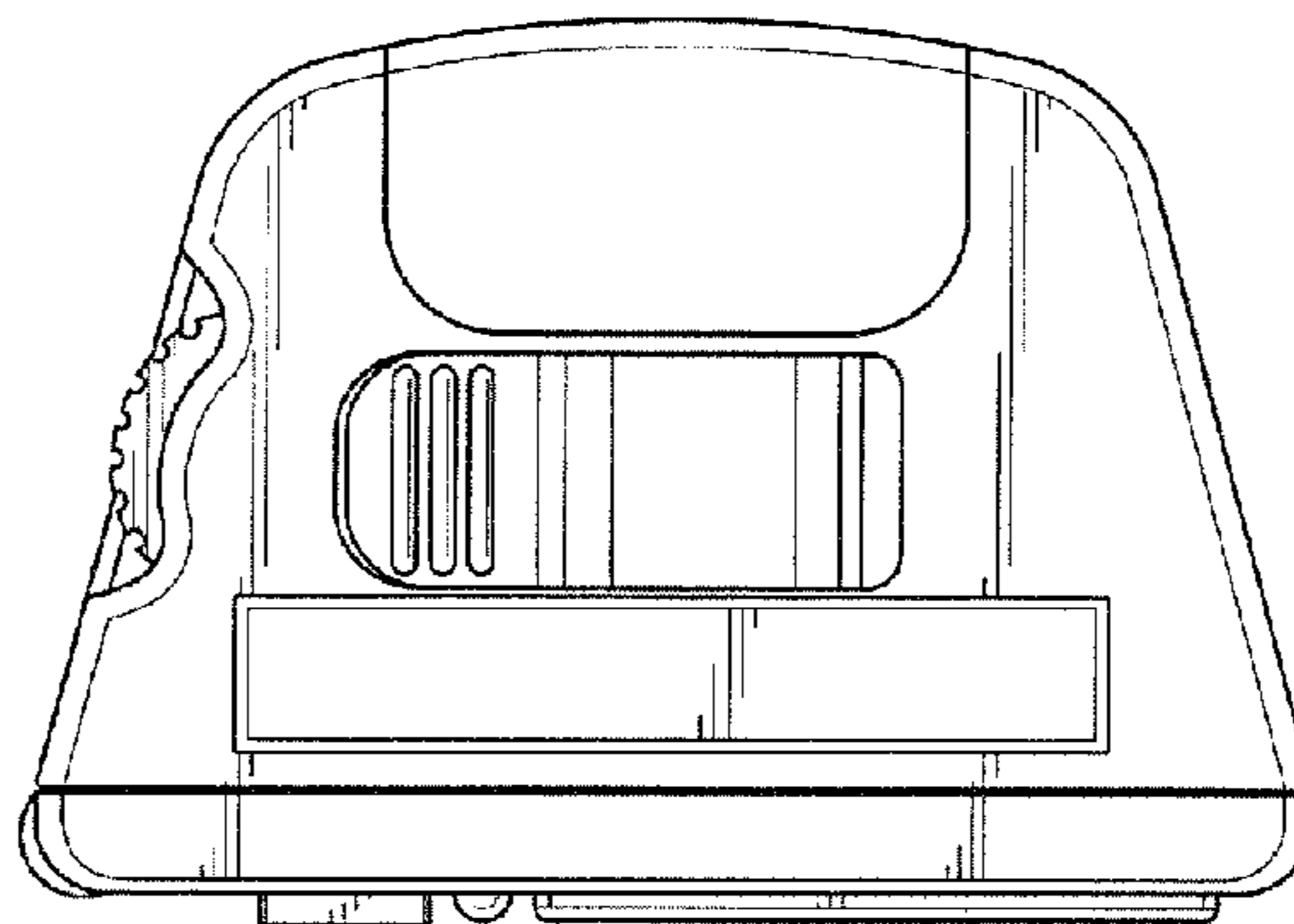
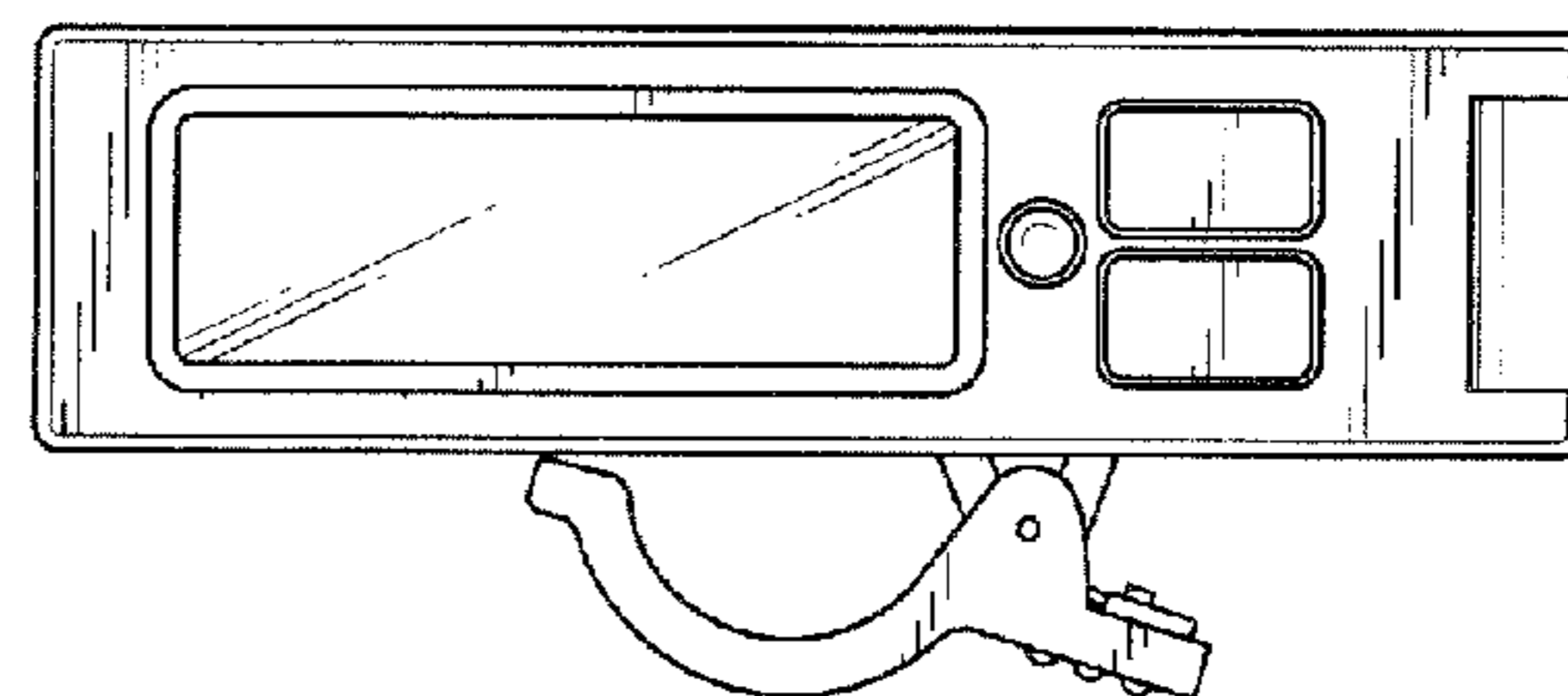
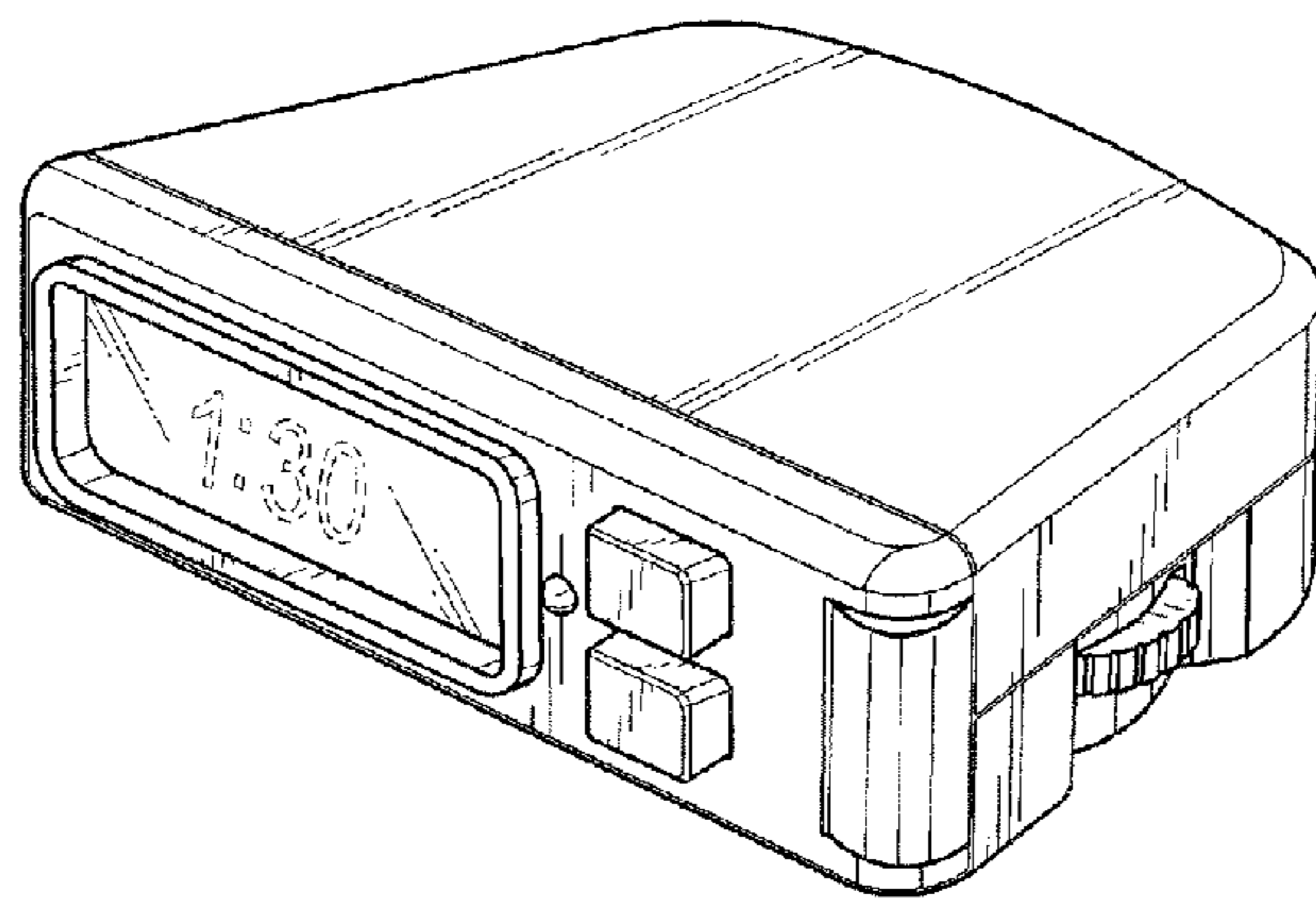
FIG. 6 bottom plan view thereof; and,

FIG. 7 is a back elevational view thereof.

- D312,046 S * 11/1990 Ruehlemann D10/70
- D375,695 S * 11/1996 Narai D10/97
- D494,484 S 8/2004 Bhavnani
- D502,693 S * 3/2005 Chen D14/171
- D528,024 S * 9/2006 Bhavnani D10/70
- D543,877 S * 7/2007 Bhavnani D10/70

The broken lines depicting environmental structure are for illustrative purposes only and form no part of the claimed design.

1 Claim, 2 Drawing Sheets



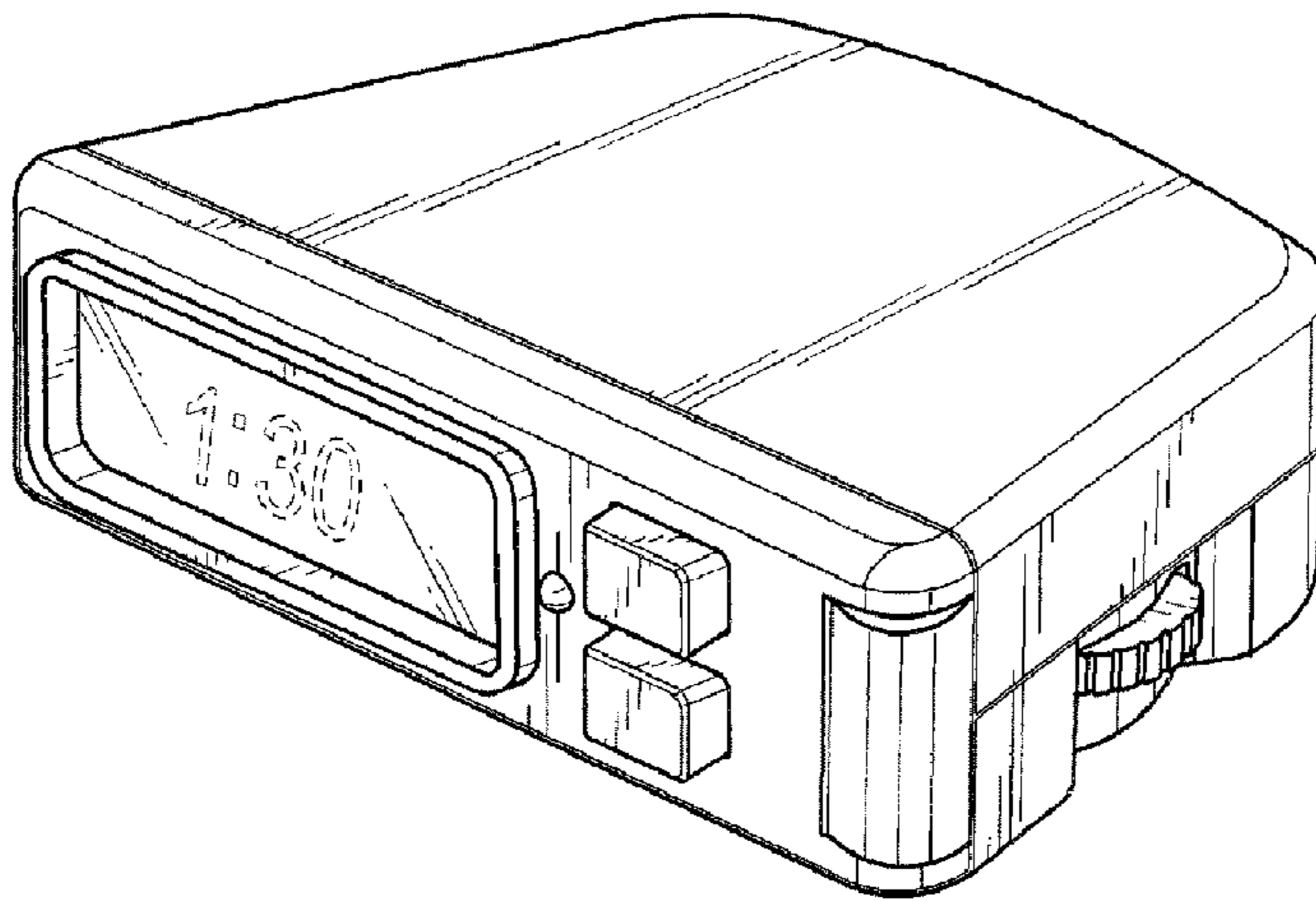


FIG. 1

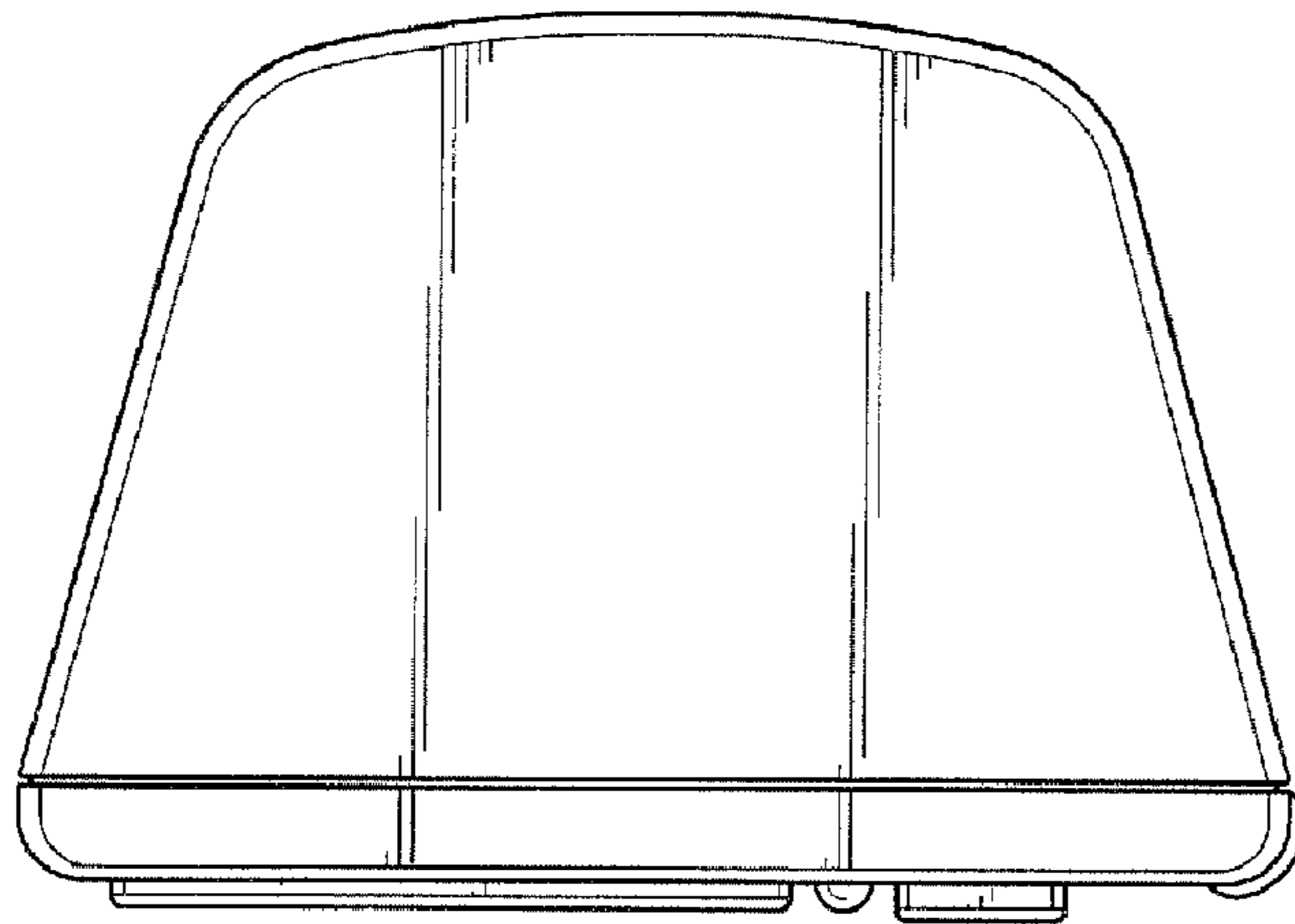


FIG. 2

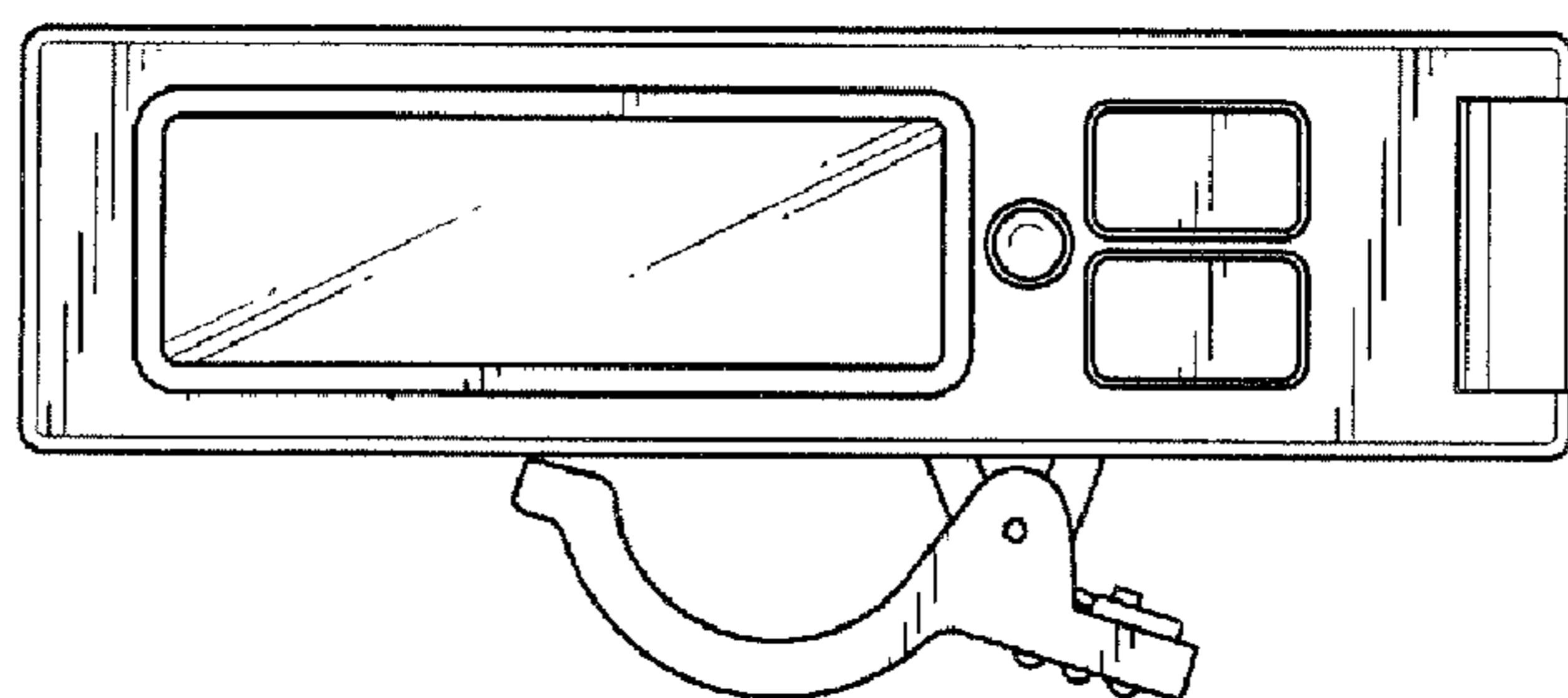


FIG. 3

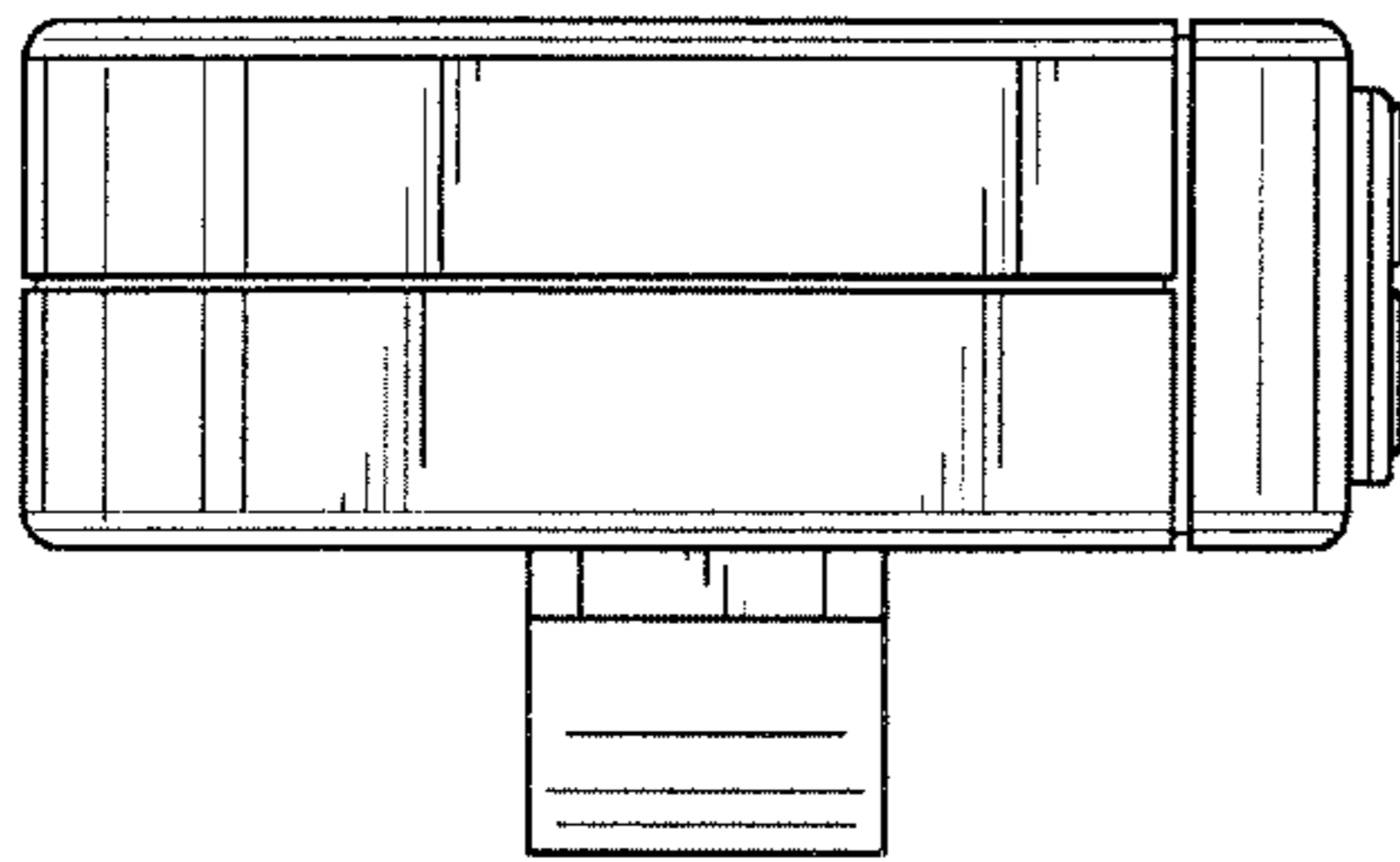


FIG. 4

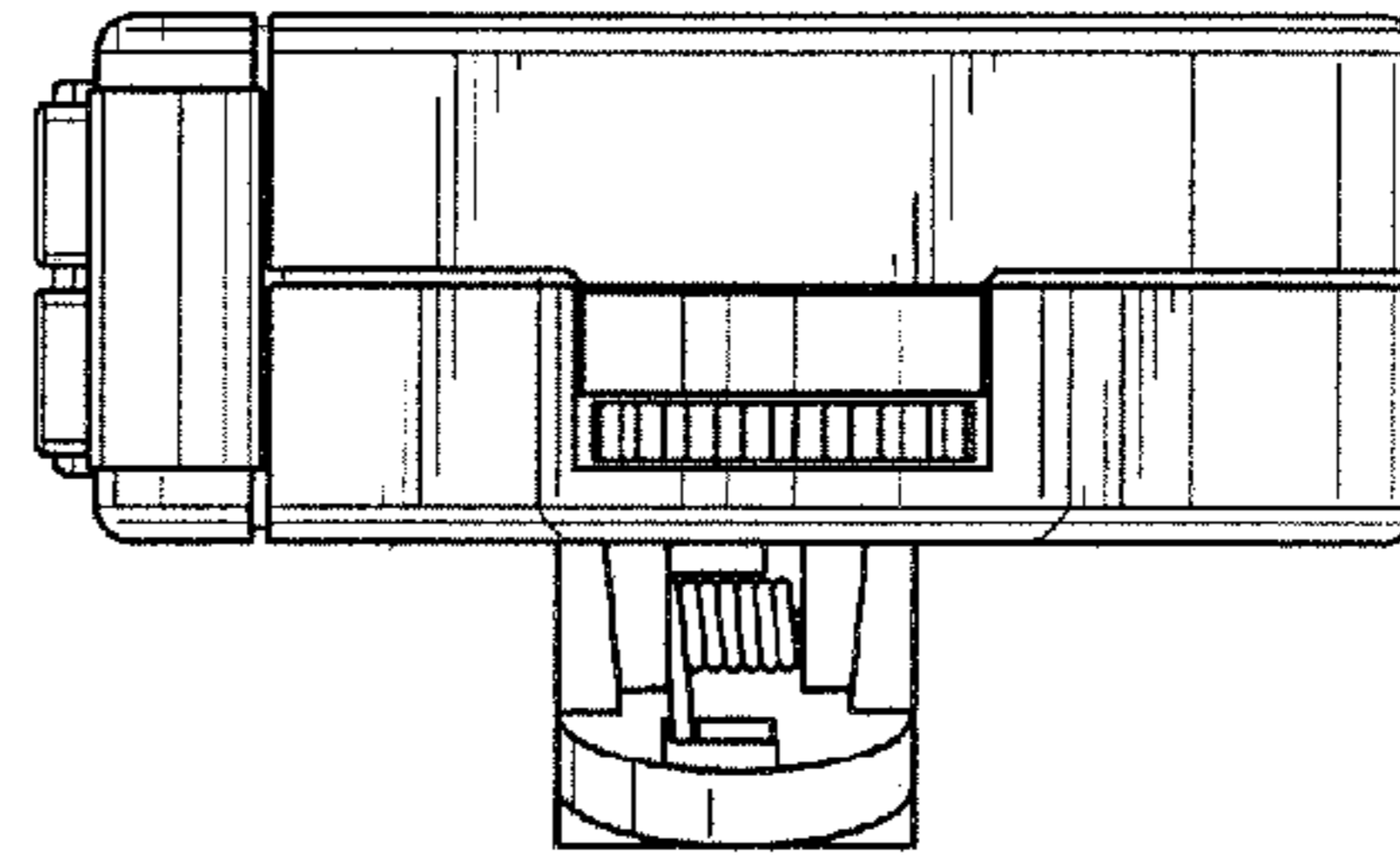


FIG. 5

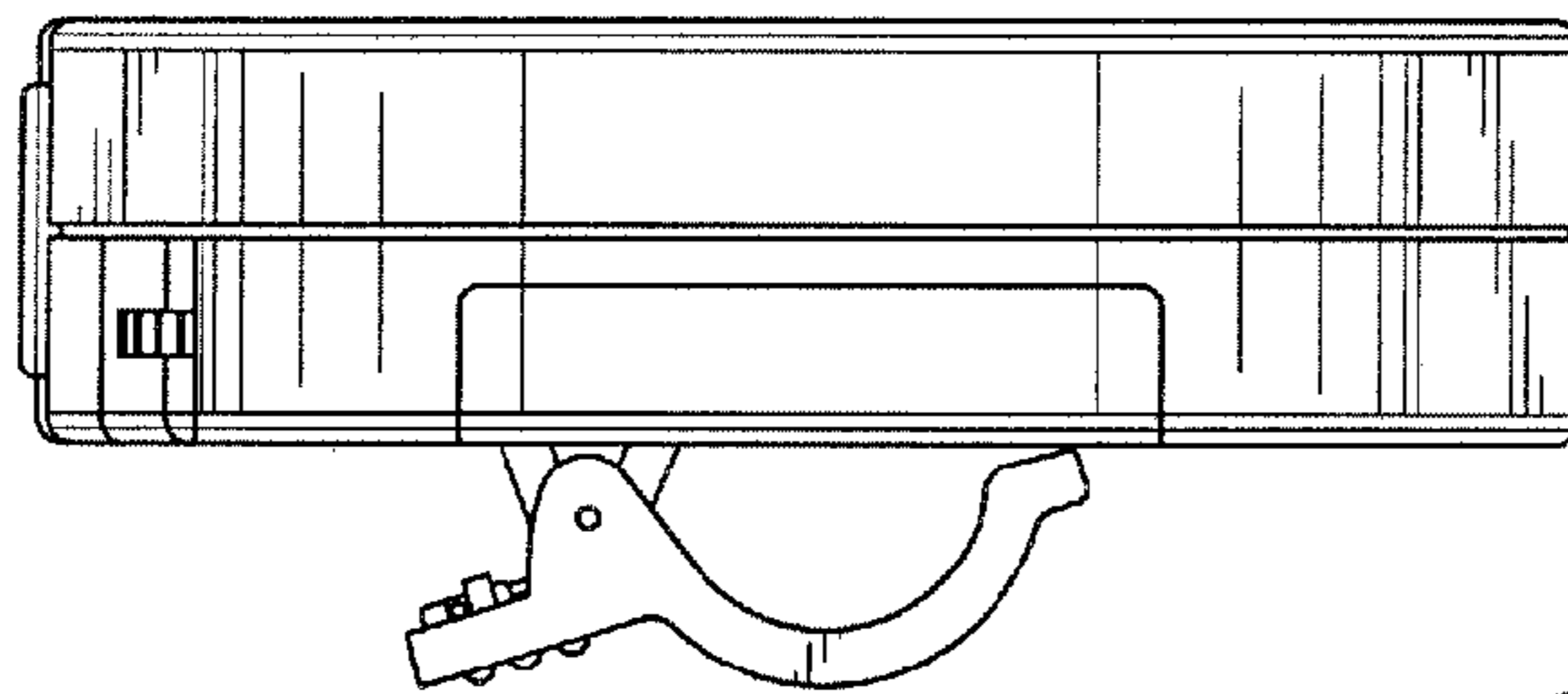


FIG. 6

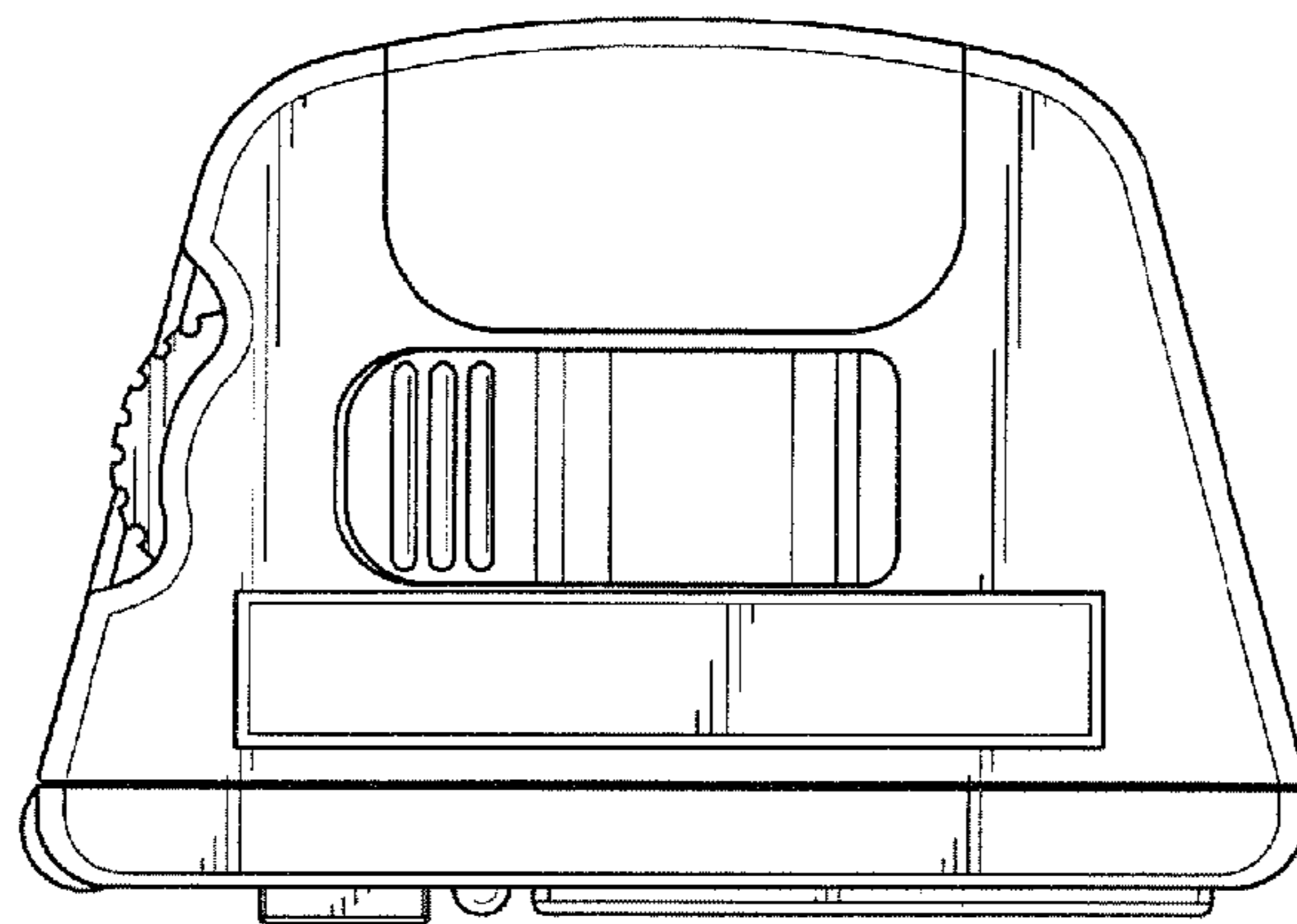


FIG. 7