

US00D569743S

(12) **United States Design Patent**
Lidong et al.

(10) **Patent No.:** **US D569,743 S**

(45) **Date of Patent:** **** May 27, 2008**

(54) **7 DAY MECHANICAL PLUG-IN TIMER**

(76) Inventors: **Ni Lidong**, Wenzhou MTLC Electric Appliances Co., Ltd., Shangwu Industrial Zone, Qiligang, Yueqing, Wenzhou, ZH (CN) 325605; **Yu Xiang**, Wenzhou MTLC Electric Appliances Co., Ltd., Shangwu Industrial Zone, Qiligang, Yueqing, Wenzhou (CN) 325605

(**) Term: **14 Years**

(21) Appl. No.: **29/277,847**

(22) Filed: **Mar. 12, 2007**

(51) **LOC (8) Cl.** **10-03**

(52) **U.S. Cl.** **D10/40**

(58) **Field of Classification Search** D10/40-45;
368/10; 362/82, 83, 253, 186, 23; 58/50 R
See application file for complete search history.

(56) **References Cited**

U.S. PATENT DOCUMENTS

D380,396 S * 7/1997 Svarnias et al. D10/40

5,715,214 A *	2/1998	Svarnias	368/10
D449,233 S *	10/2001	Stekelenburg	D10/40
D449,541 S *	10/2001	Stekelenburg	D10/40
D454,508 S *	3/2002	Stekelenburg	D10/40
D525,540 S *	7/2006	Stekelenburg	D10/40
D534,439 S *	1/2007	Stekelenburg	D10/40
D536,269 S *	2/2007	Stekelenburg	D10/40

* cited by examiner

Primary Examiner—Robert M. Spear

Assistant Examiner—George D. Kirschbaum

(74) *Attorney, Agent, or Firm*—Michael C. Olson

(57) **CLAIM**

The ornamental design for a 7 day mechanical plug-in timer, as shown and described.

DESCRIPTION

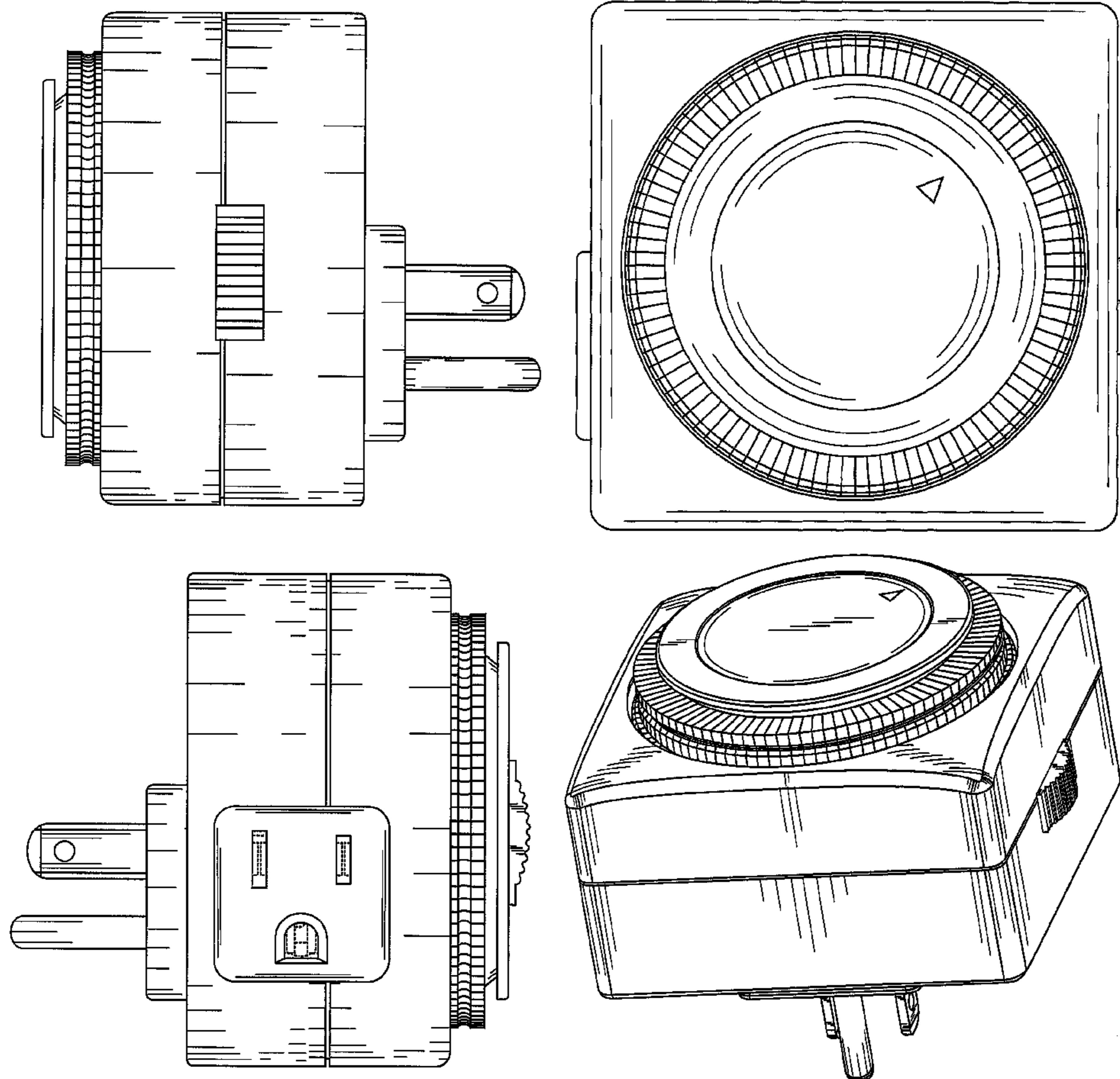
FIG. 1 is a right side view of a 7 day mechanical plug-in timer showing our new design;

FIG. 2 is a top view thereof

FIG. 3 is a left side view thereof; and,

FIG. 4 is a perspective view thereof.

1 Claim, 4 Drawing Sheets



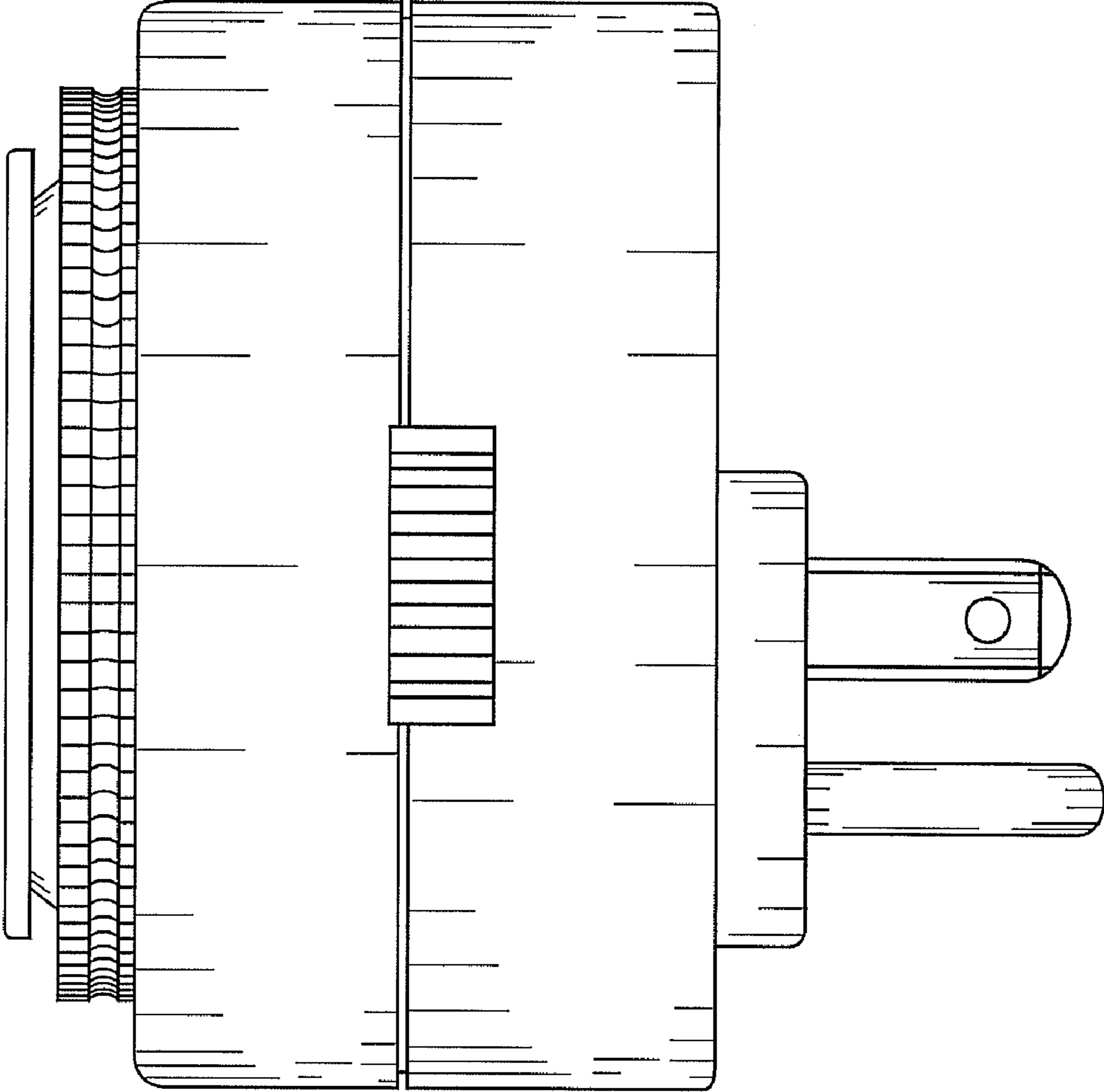


FIG. 1

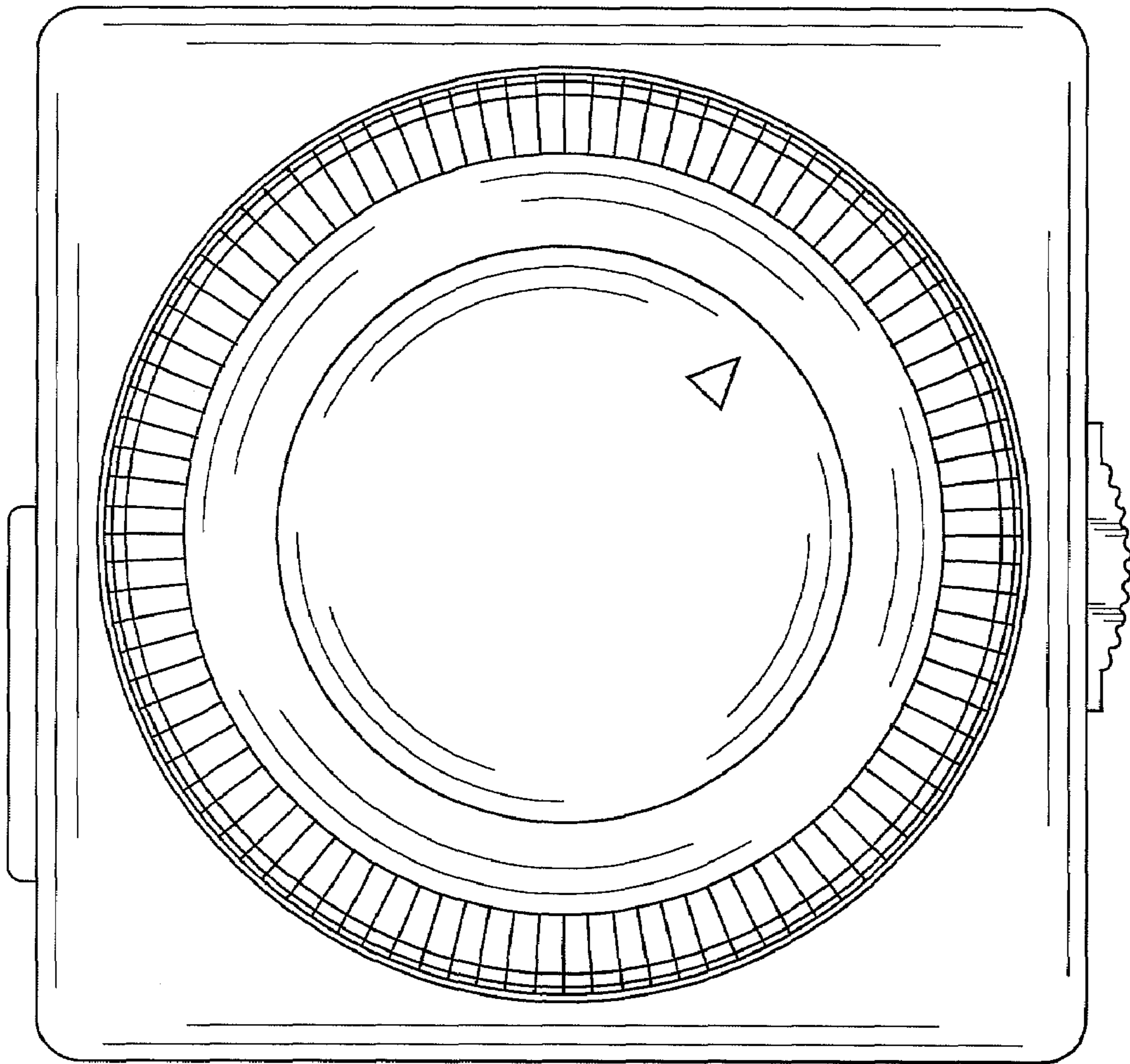


FIG. 2

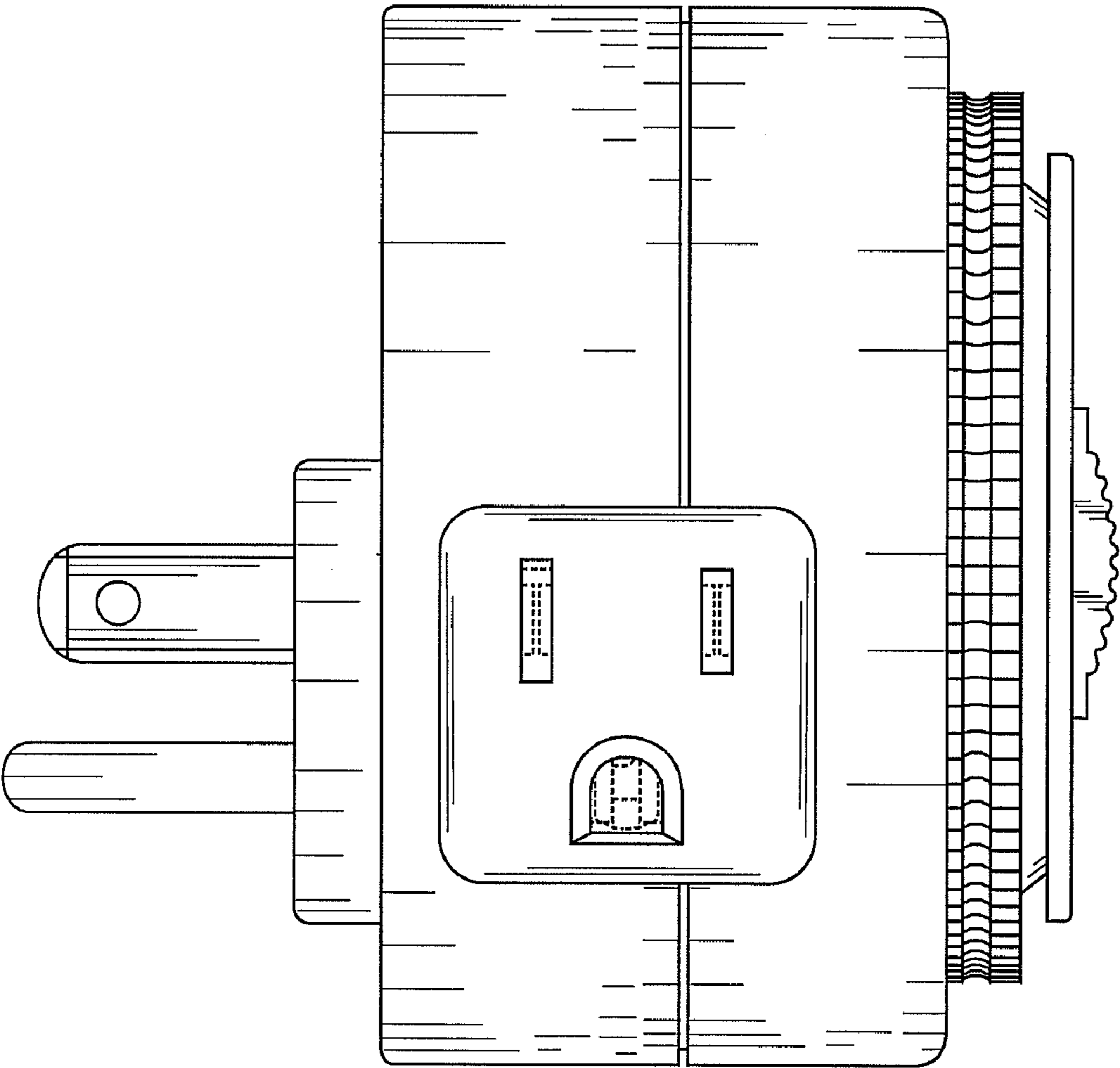


FIG. 3

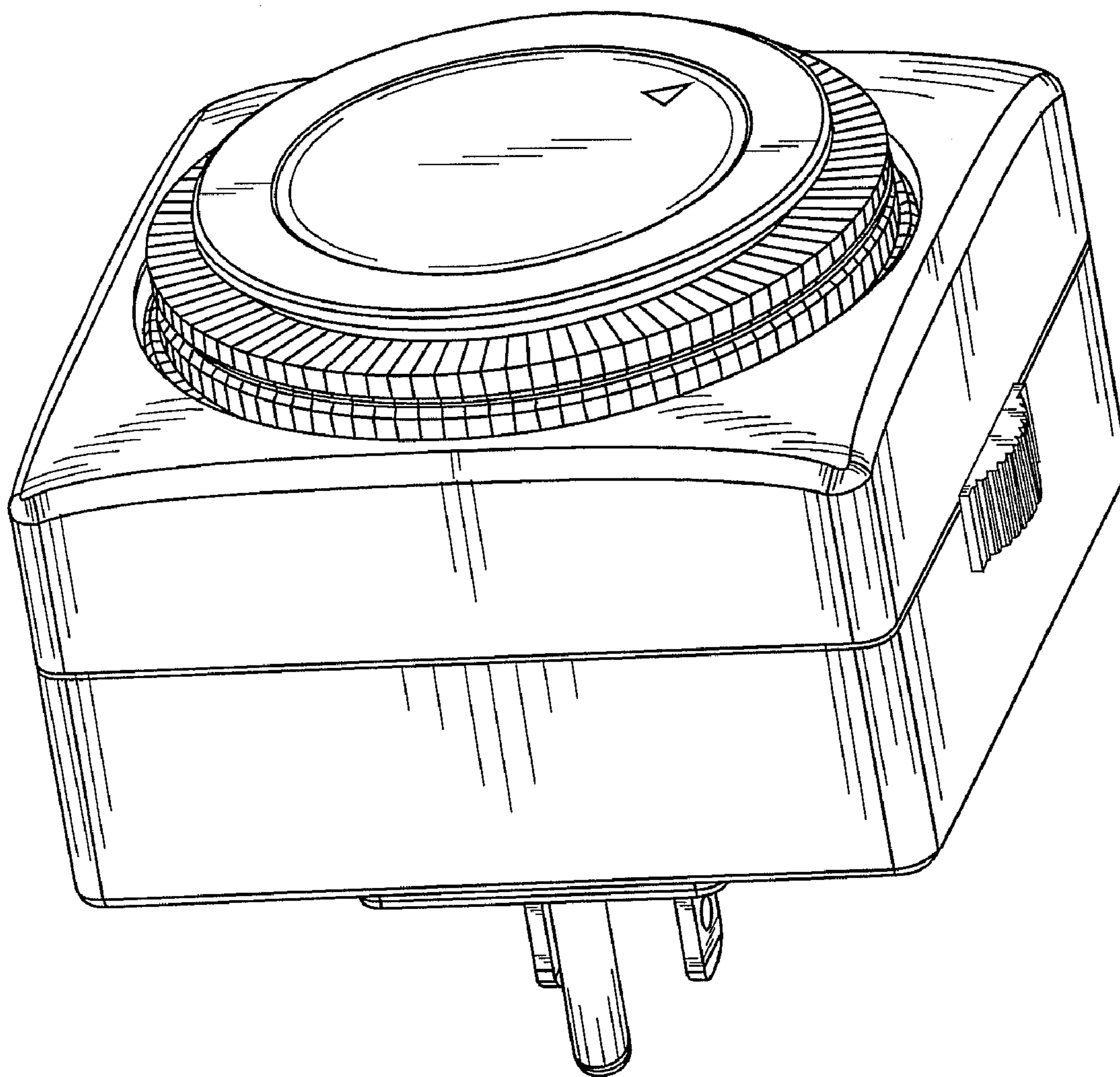


FIG. 4