



US00D569738S

(12) **United States Design Patent**  
**Ogawa et al.**

(10) **Patent No.:** **US D569,738 S**

(45) **Date of Patent:** **\*\* May 27, 2008**

(54) **ANTISEPTIC SOLUTION BOTTLE**

(75) Inventors: **Akio Ogawa**, Tokyo (JP); **Takayoshi Iwanami**, Hachioji (JP)

(73) Assignee: **Olympus Medical System Corp.**, Tokyo (JP)

(\*\*) Term: **14 Years**

(21) Appl. No.: **29/250,978**

(22) Filed: **Dec. 7, 2006**

(30) **Foreign Application Priority Data**

Oct. 11, 2006 (JP) ..... 2006-027504

(51) **LOC (8) Cl.** ..... **09-01**

(52) **U.S. Cl.** ..... **D9/741; D9/738**

(58) **Field of Classification Search** ..... D9/434,  
D9/435, 516, 517, 528, 529, 532, 562, 563,  
D9/572, 575, 684, 686, 687, 694, 737, 738,  
D9/741, 743; D24/121, 122; 215/6, 10,  
215/396, 398, 381-385

See application file for complete search history.

(56) **References Cited**

**U.S. PATENT DOCUMENTS**

1,459,257 A \* 6/1923 Reger ..... 220/524  
2,641,374 A \* 6/1953 Der Yuen ..... 215/10  
3,194,426 A \* 7/1965 Brown, Jr. .... 220/23.4  
D244,992 S \* 7/1977 Van der Veken ..... D9/640  
4,196,808 A \* 4/1980 Pardo ..... 206/432  
D263,118 S \* 2/1982 Weckman ..... D9/741  
4,713,064 A \* 12/1987 Bruno et al. .... 604/257

4,881,652 A \* 11/1989 Schiemann ..... 220/23.8  
D319,970 S \* 9/1991 Beeman ..... D9/741  
D327,639 S \* 7/1992 Burnsed ..... D9/740  
5,316,159 A \* 5/1994 Douglas et al. .... 215/10  
D373,606 S \* 9/1996 Knudsen ..... D21/503  
D374,481 S \* 10/1996 McCallister et al. .... D24/121  
D382,061 S \* 8/1997 Mathis et al. .... D24/224  
5,692,626 A \* 12/1997 Wehrle et al. .... 215/6  
D388,698 S \* 1/1998 Newsom ..... D9/742  
D439,156 S \* 3/2001 Hall et al. .... D9/743  
D475,296 S \* 6/2003 Lee ..... D9/739  
6,588,612 B1 \* 7/2003 Dorn et al. .... 215/10  
D543,867 S \* 6/2007 Yourist ..... D9/739

\* cited by examiner

*Primary Examiner*—Stella M. Reid

*Assistant Examiner*—Elizabeth J Oswecki

(74) *Attorney, Agent, or Firm*—Hogan & Hartson LLP

(57) **CLAIM**

The ornamental design for an antiseptic solution bottle, as shown and described.

**DESCRIPTION**

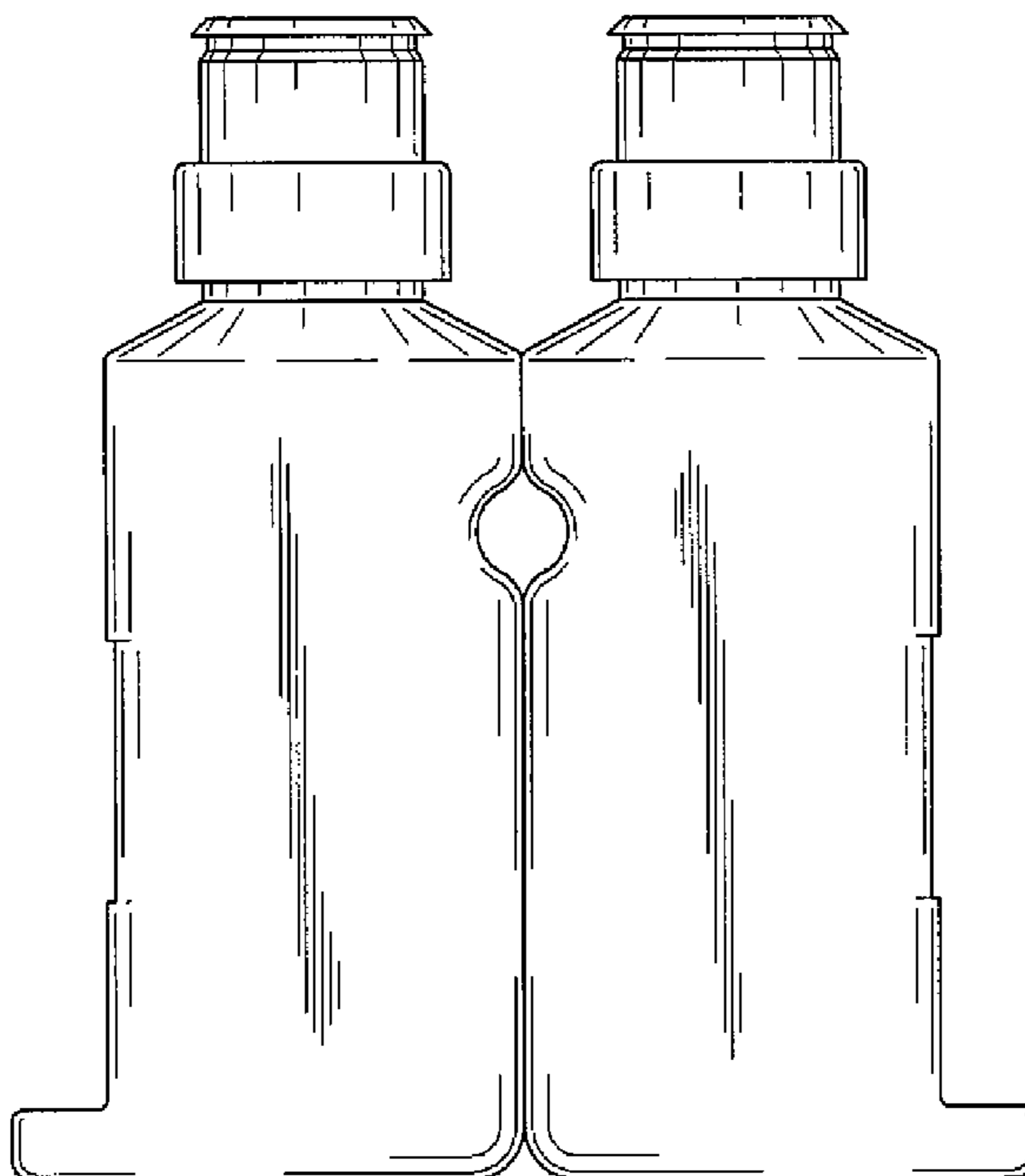
FIG. 1 is a front view of an antiseptic solution bottle, showing our new design, the rear view being a mirror image thereof;

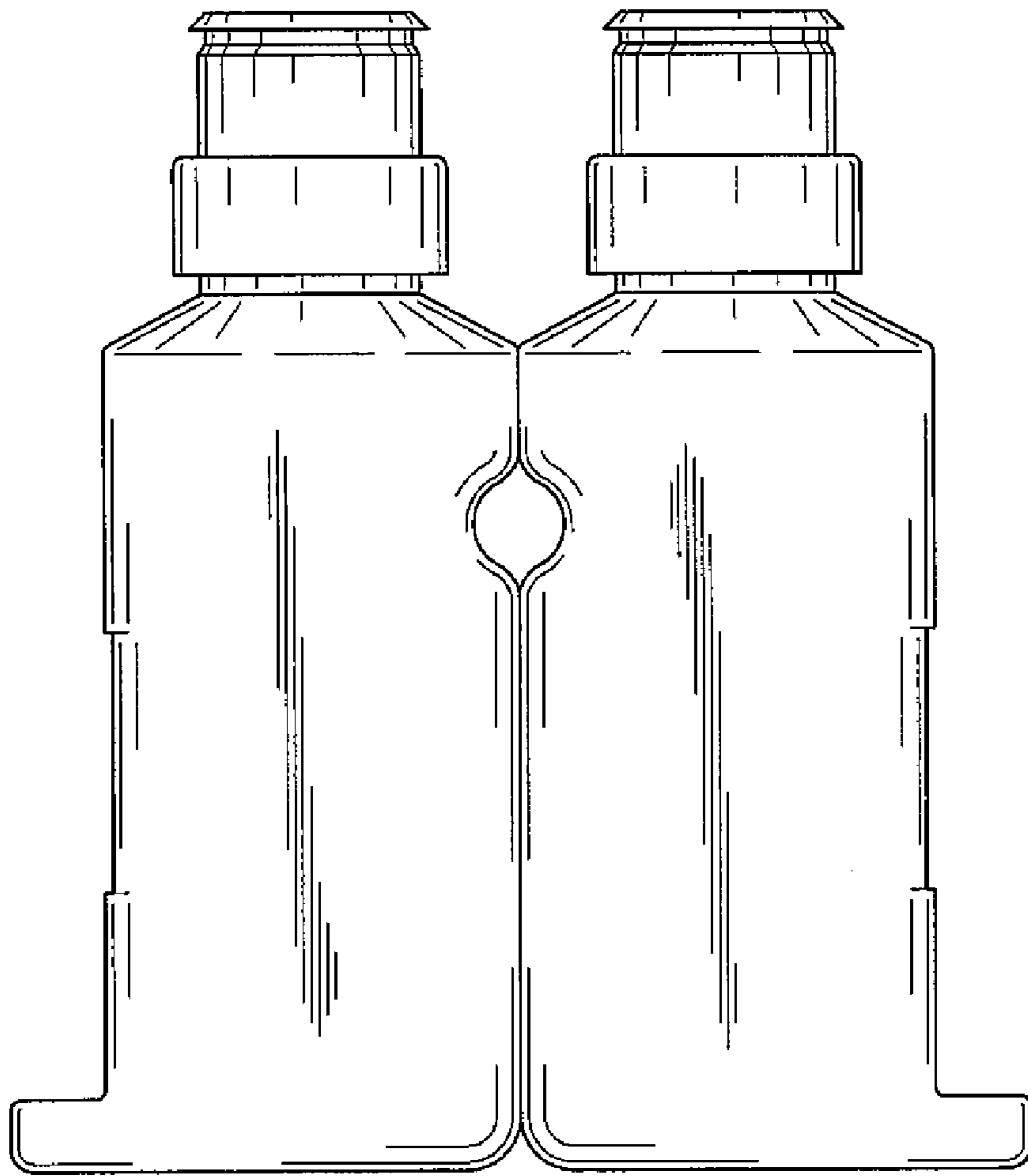
FIG. 2 is a right side view thereof, the left side view being a mirror image thereof;

FIG. 3 is a top plan view thereof; and,

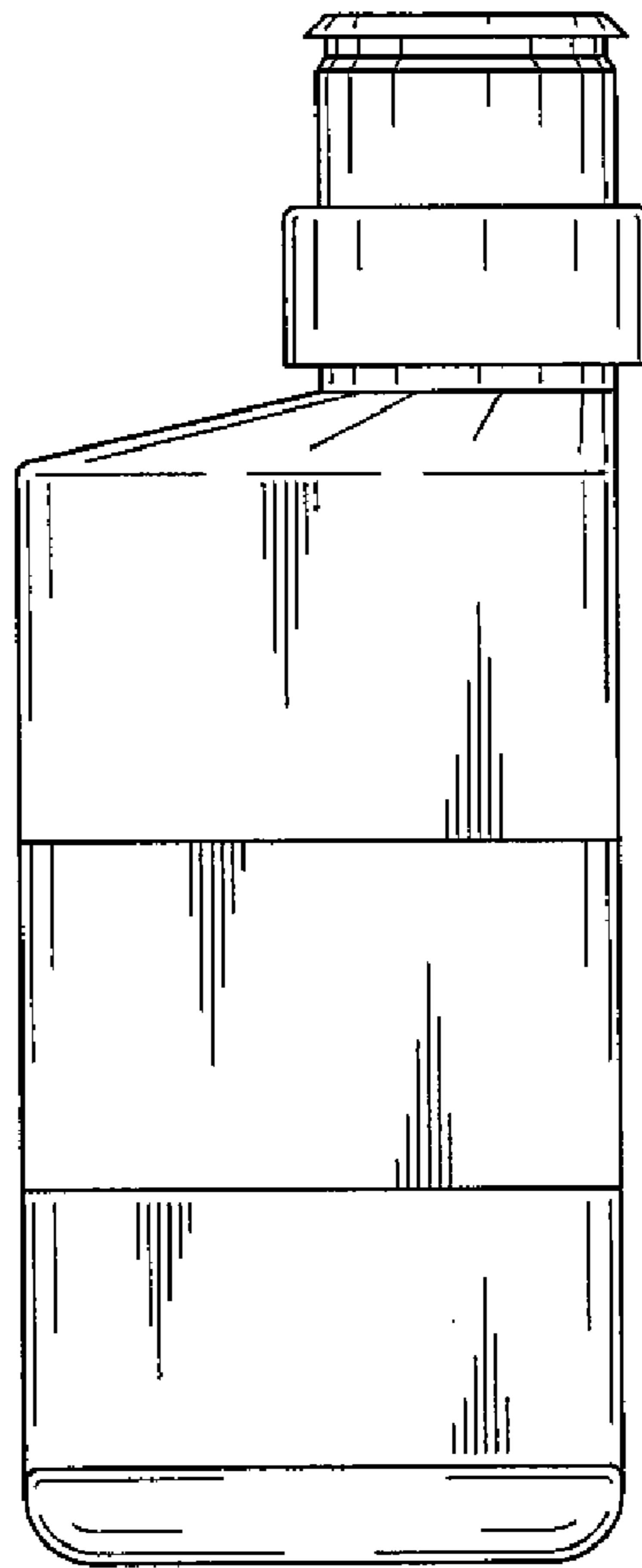
FIG. 4 is a bottom plan view thereof.

**1 Claim, 3 Drawing Sheets**

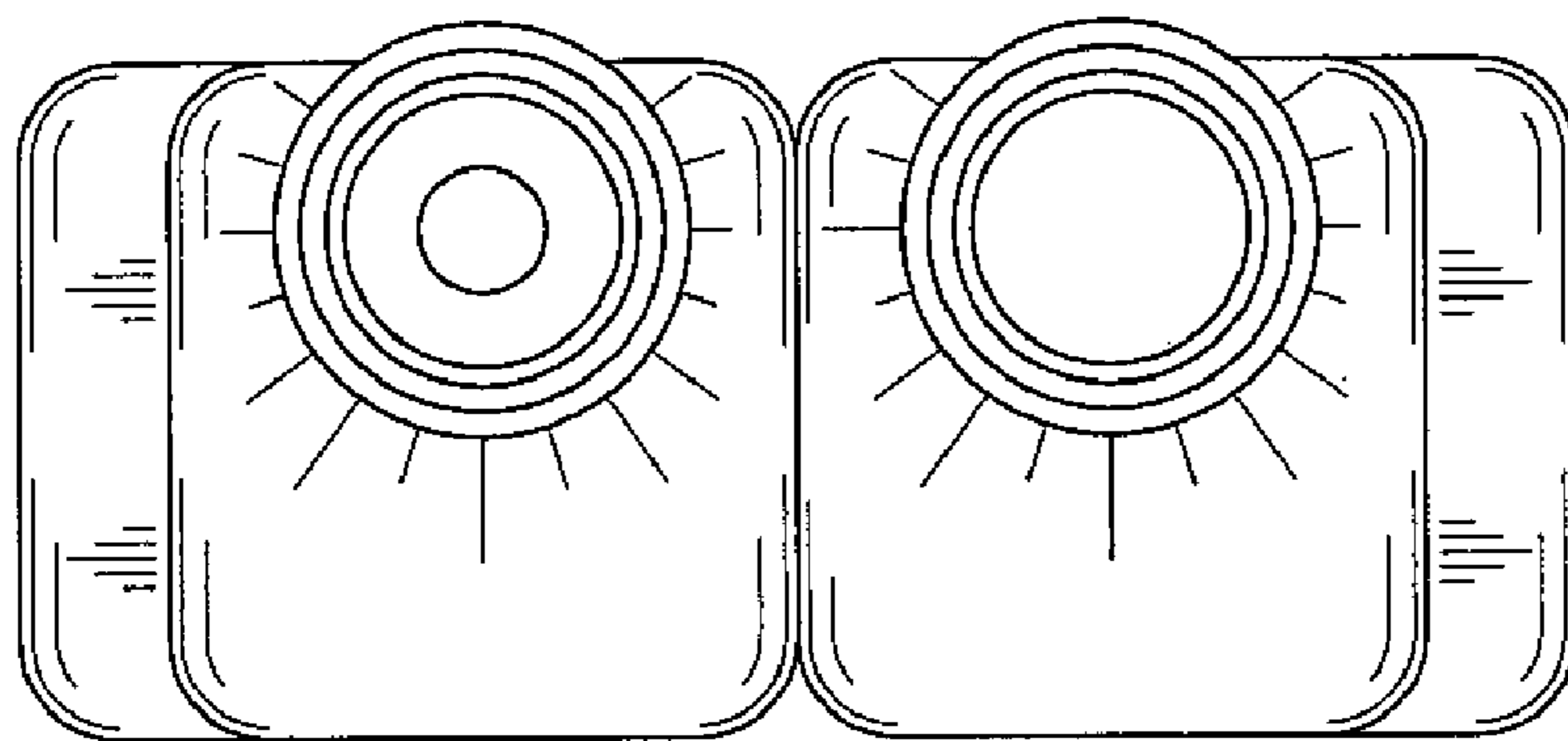




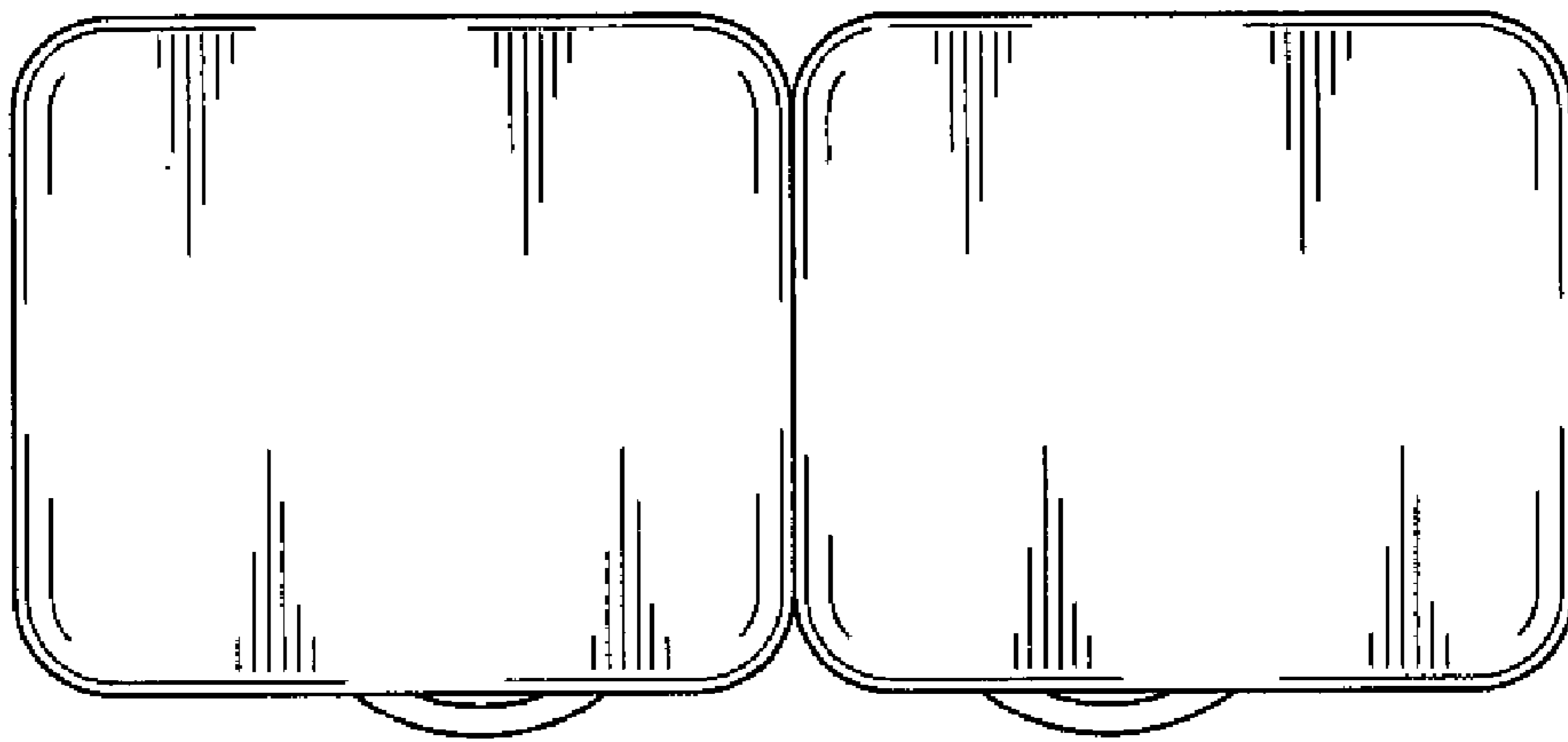
**FIG. 1**



**FIG. 2**



**FIG. 3**



**FIG. 4**

UNITED STATES PATENT AND TRADEMARK OFFICE  
**CERTIFICATE OF CORRECTION**

PATENT NO. : Des. 569,738 S  
APPLICATION NO. : 29/250978  
DATED : May 27, 2008  
INVENTOR(S) : Ogawa et al.

Page 1 of 1

It is certified that error appears in the above-identified patent and that said Letters Patent is hereby corrected as shown below:

On the Title Page (73) change "Olympus Medical System Corp., Tokyo (JP)" to  
**--Olympus Medical Systems Corp., Tokyo (JP)--**.

Signed and Sealed this

Twenty-sixth Day of August, 2008

A handwritten signature in black ink that reads "Jon W. Dudas". The signature is written in a cursive style with a large, looped initial "J".

JON W. DUDAS

*Director of the United States Patent and Trademark Office*