

US00D569729S

(12) **United States Design Patent**
Pedmo et al.

(10) **Patent No.:** **US D569,729 S**

(45) **Date of Patent:** **** May 27, 2008**

(54) **CONTAINER**

(75) Inventors: **Marc A. Pedmo**, Brunswick, OH (US);
Richard C. Darr, Medina, OH (US)

(73) Assignee: **Plastipak Packaging, Inc.**, Ann Arbor,
MI (US)

(**) Term: **14 Years**

(21) Appl. No.: **29/289,985**

(22) Filed: **Aug. 9, 2007**

(51) **LOC (8) Cl.** **09-01**

(52) **U.S. Cl.** **D9/520; D9/502; D9/557**

(58) **Field of Classification Search** D9/682,
D9/686, 688-692, 500, 502-505, 516, 537-540,
D9/545, 549, 558, 904-905, 520, 550; 215/379-385;
220/660, 662, 669, 675

See application file for complete search history.

(56) **References Cited**

U.S. PATENT DOCUMENTS

D330,334 S	*	10/1992	Rusnock et al.	D9/500
D357,864 S	*	5/1995	Rusnock et al.	D9/500
D374,176 S	*	10/1996	Sillince et al.	D9/719
D452,436 S	*	12/2001	Darr et al.	D9/500
D459,655 S	*	7/2002	Darr et al.	D9/502
D472,811 S	*	4/2003	Deubel et al.	D9/502
D475,926 S	*	6/2003	Rusnock et al.	D9/502
D476,896 S	*	7/2003	Cheng et al.	D9/520

6,634,517 B2	*	10/2003	Cheng et al.	215/373
D543,462 S	*	5/2007	Pedmo et al.	D9/520
D546,686 S	*	7/2007	Warner	D9/502
D556,044 S	*	11/2007	Hirata	D9/538

* cited by examiner

Primary Examiner—Ian Simmons

Assistant Examiner—Dana L Sipos

(74) *Attorney, Agent, or Firm*—Robert H. Bachman

(57) **CLAIM**

We claim the ornamental design for a container, as shown and described.

DESCRIPTION

FIG. 1 is a top perspective view of a container showing our new design;

FIG. 2 is a bottom perspective view thereof;

FIG. 3 is a front elevation view thereof;

FIG. 4 is a right side elevation view thereof;

FIG. 5 is a rear elevation view thereof;

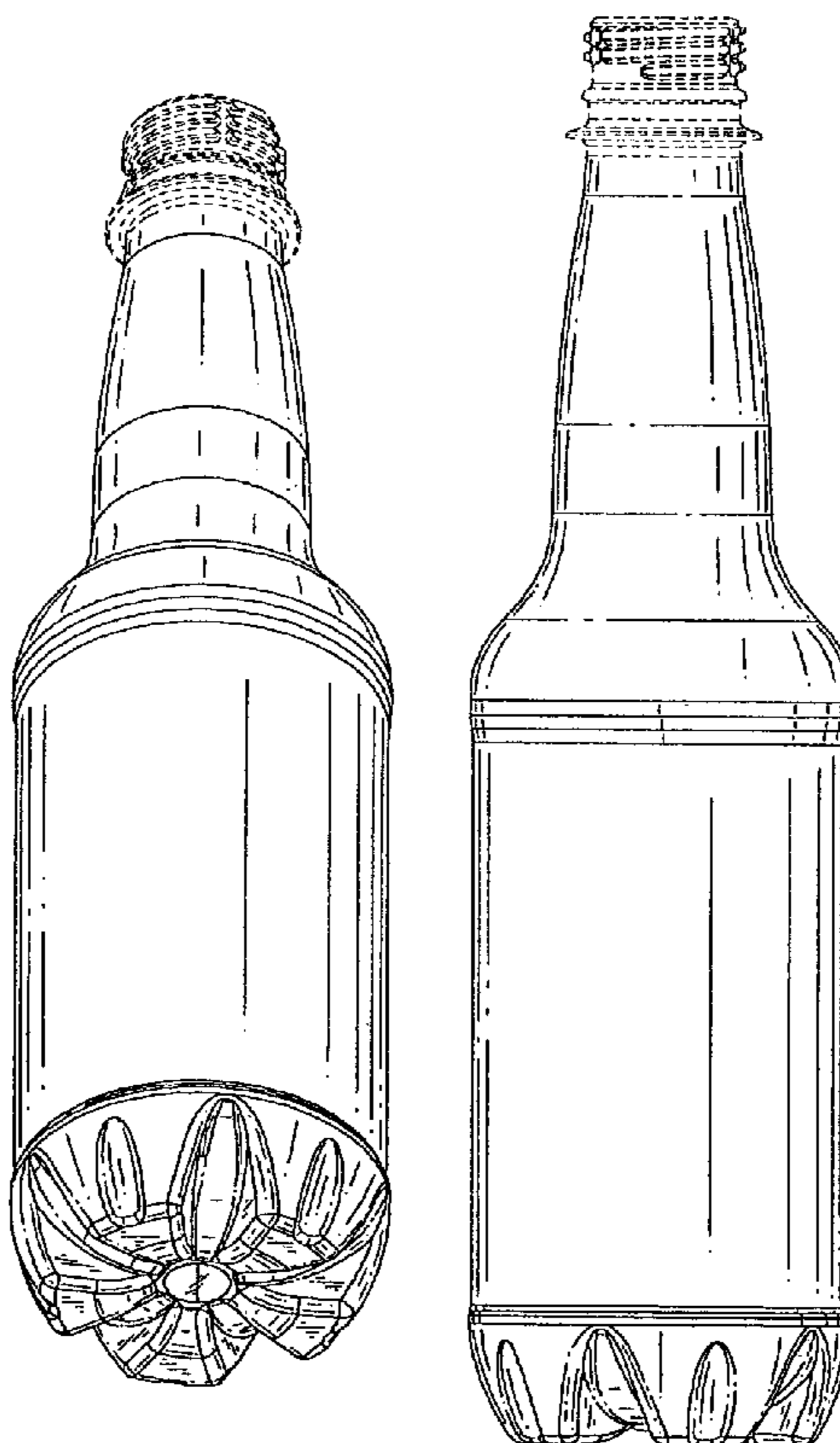
FIG. 6 is a left side elevation view thereof;

FIG. 7 is a top plan view thereof; and,

FIG. 8 is a bottom plan view thereof.

The broken lines shown in the drawings are for illustrative purposes only and form no part of the claimed design.

1 Claim, 2 Drawing Sheets



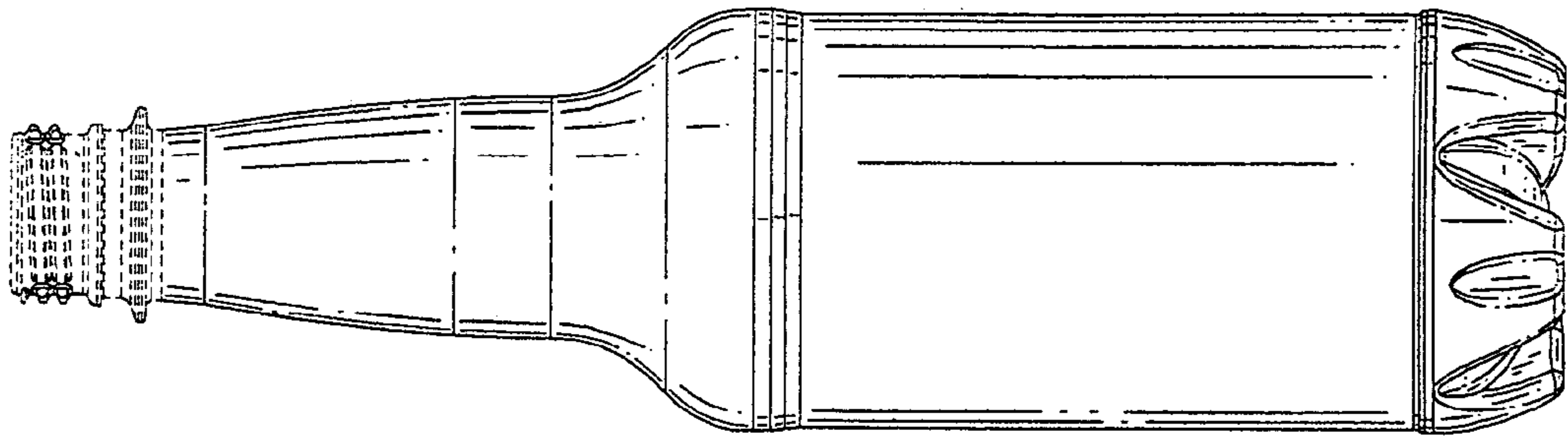


FIG. 4

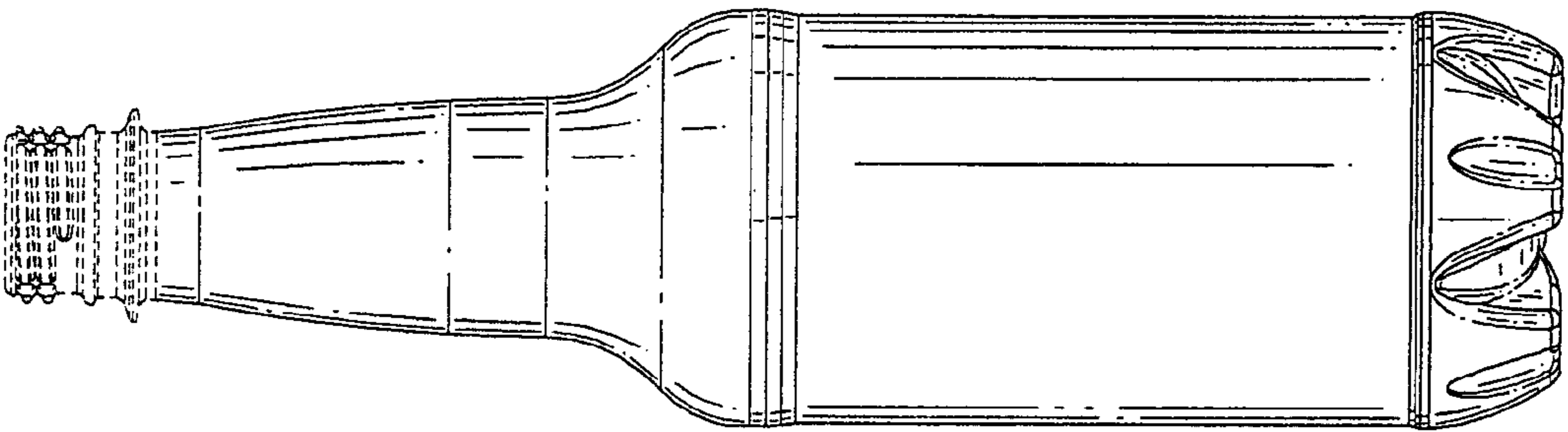


FIG. 3

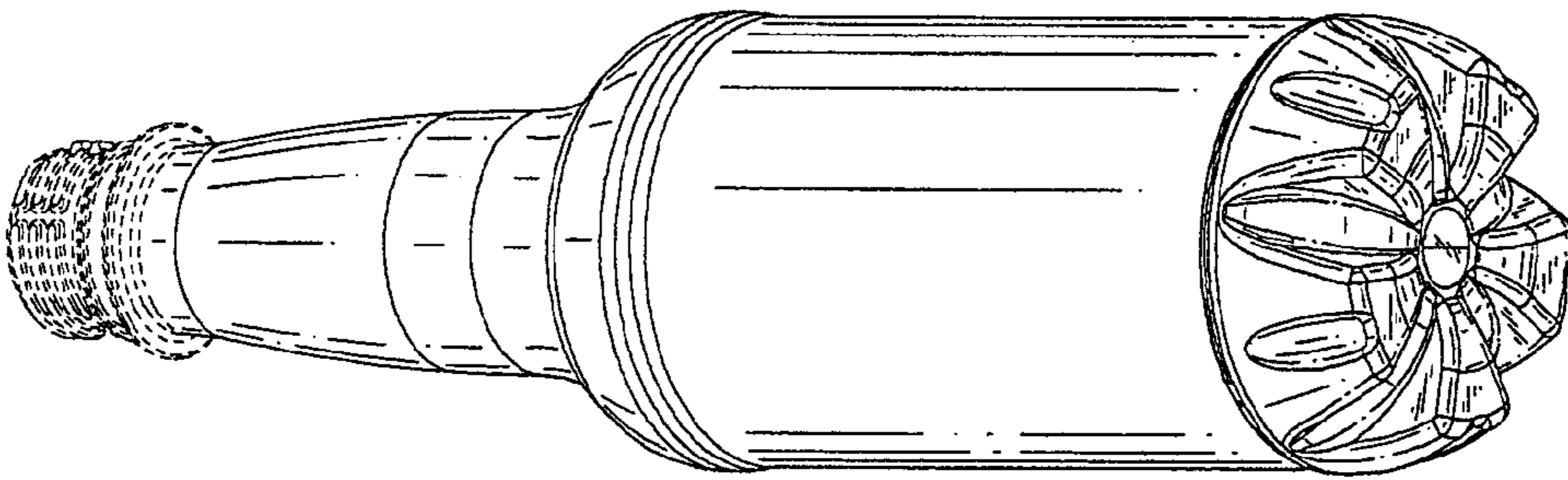


FIG. 2

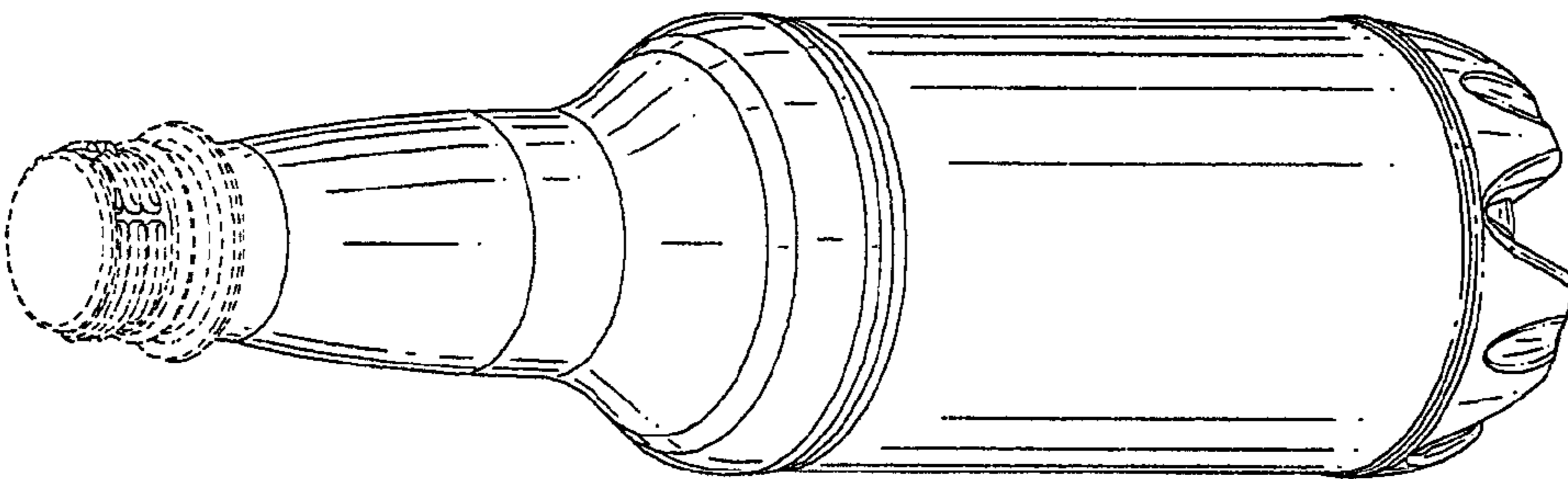


FIG. 1

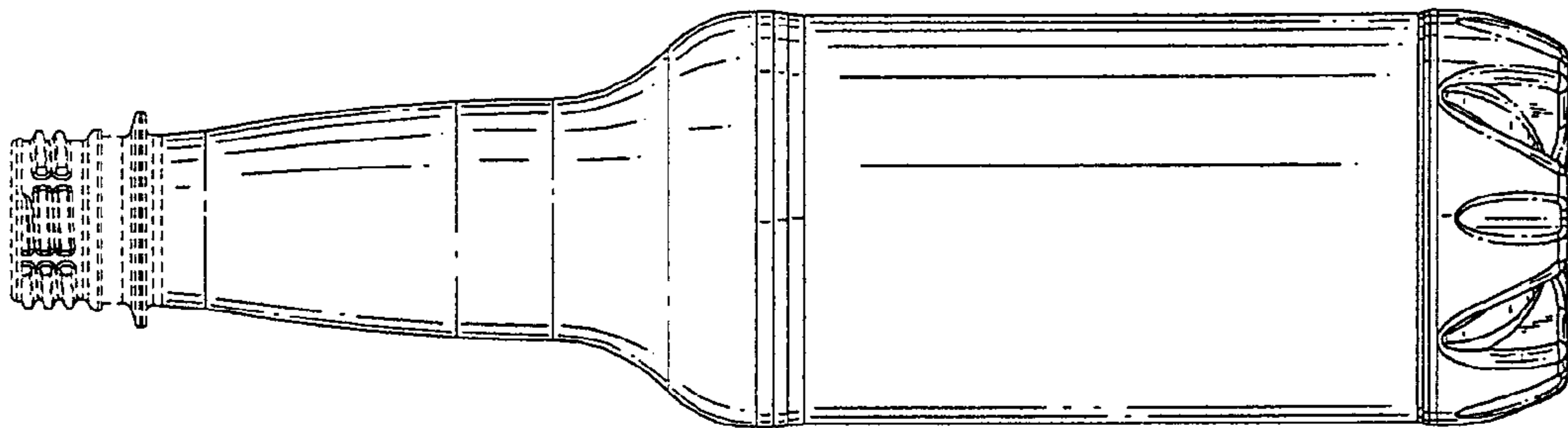


FIG. 5

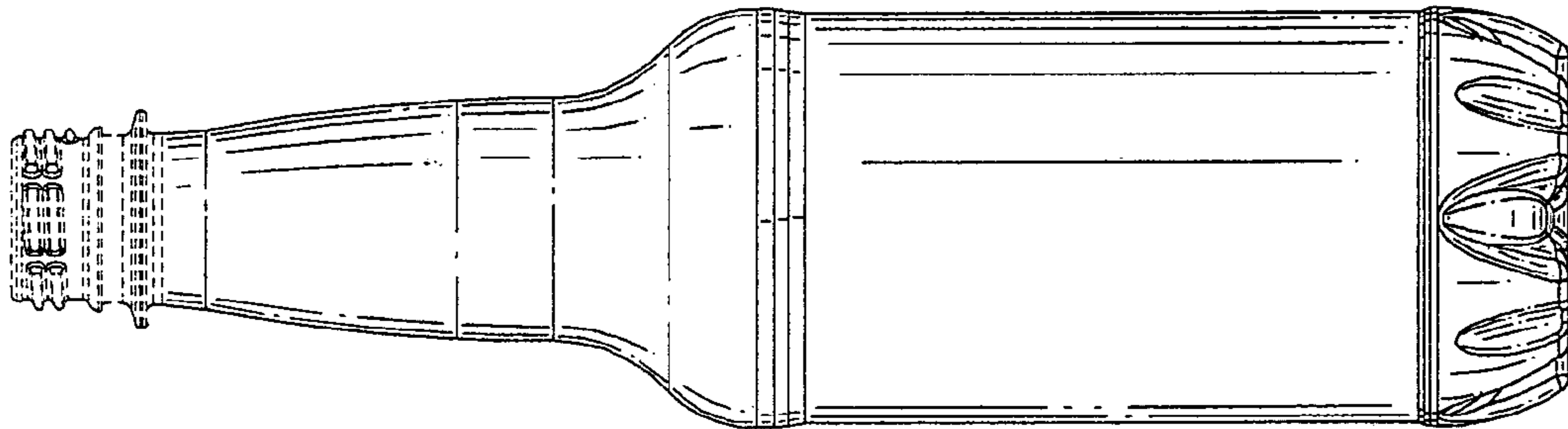


FIG. 6

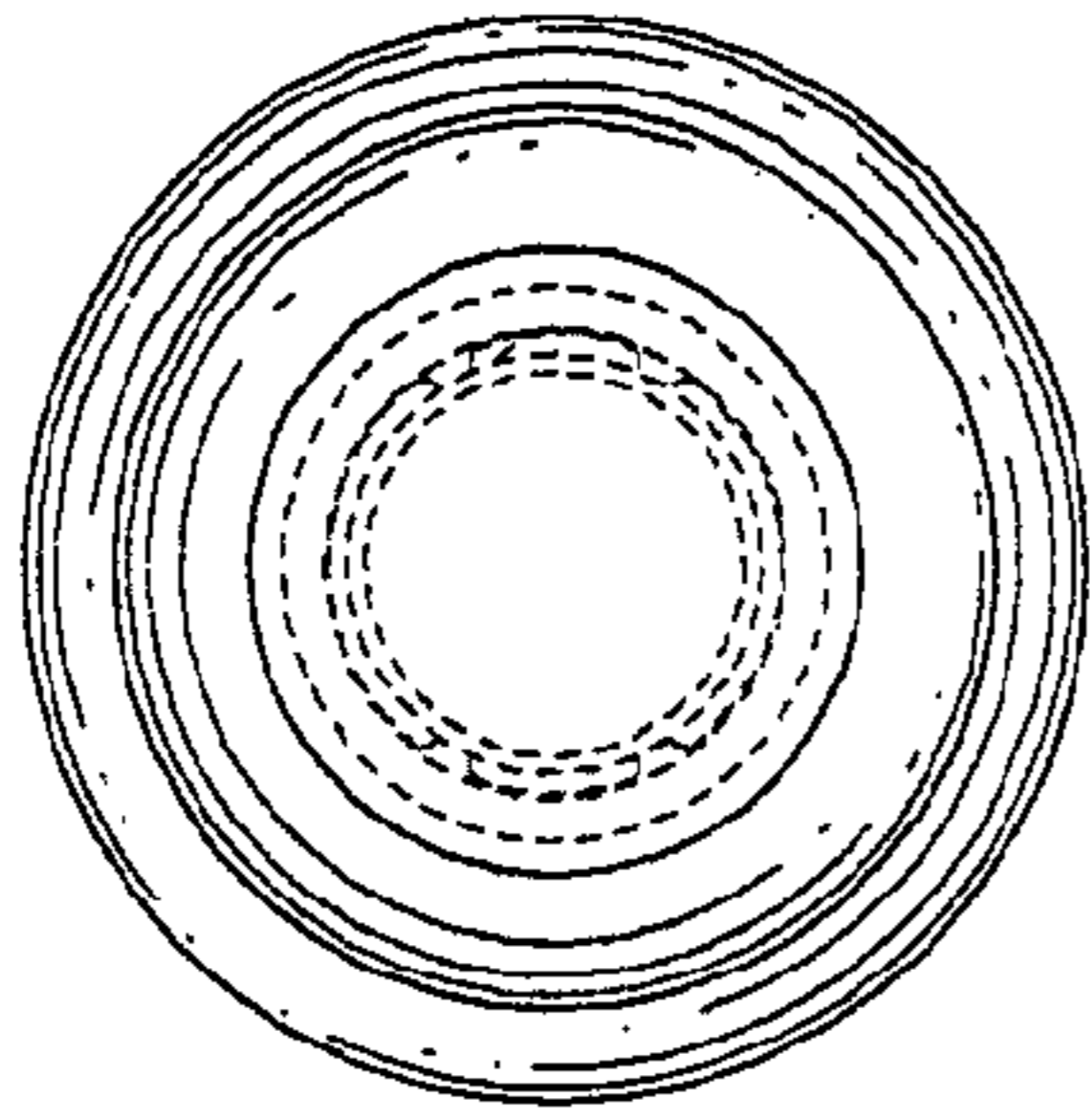


FIG. 7

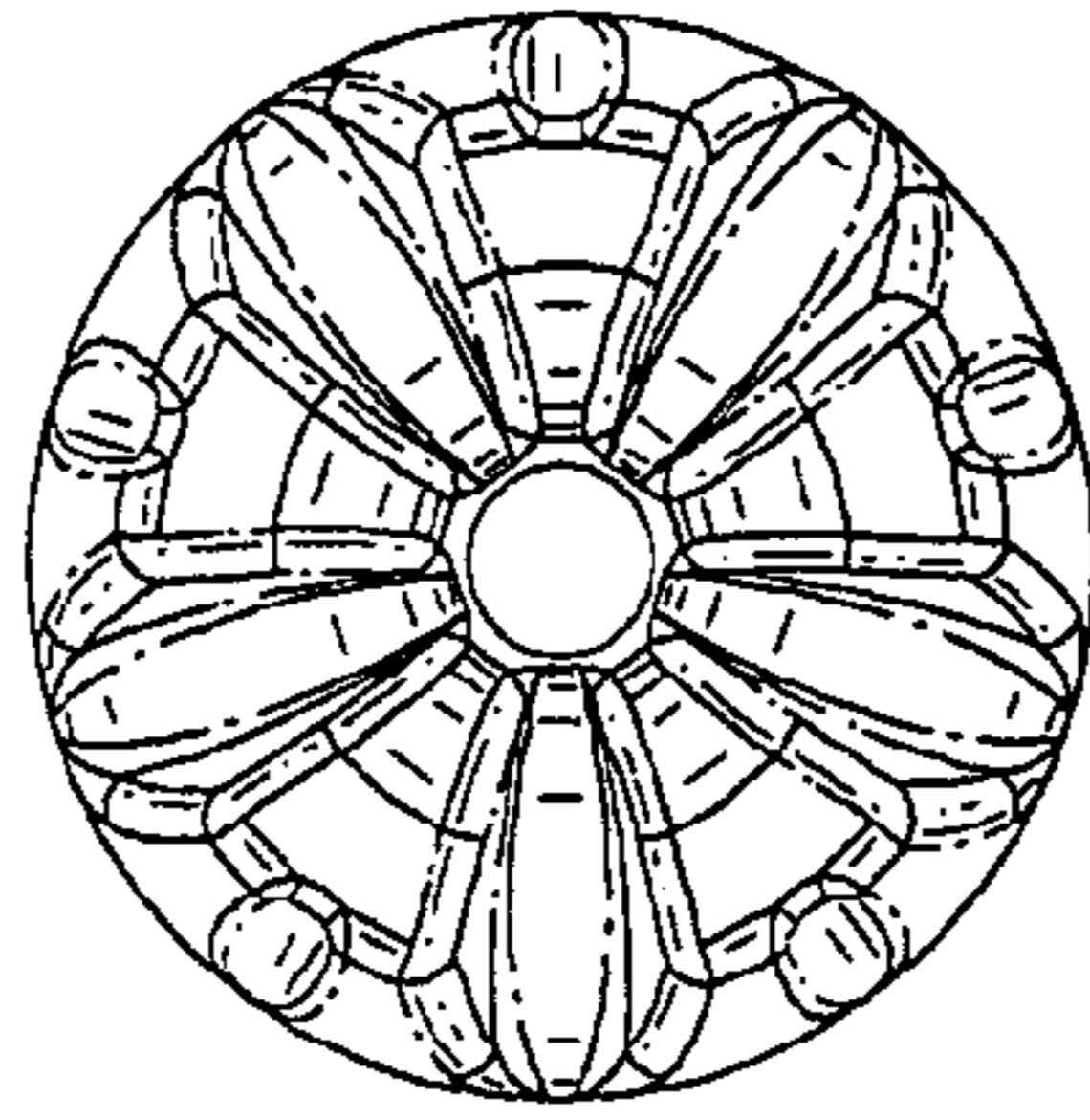


FIG. 8