

US00D569726S

(12) **United States Design Patent**  
**Hildebrand**

(10) **Patent No.: US D569,726 S**

(45) **Date of Patent: \*\* May 27, 2008**

(54) **SPRAY NOZZLE**

(75) Inventor: **George R. Hildebrand**, Independence,  
MO (US)

(73) Assignee: **MeadWestvaco Calmar, Inc.**,  
Grandview, MO (US)

(\*\*) Term: **14 Years**

(21) Appl. No.: **29/297,054**

(22) Filed: **Nov. 2, 2007**

D209,873 S	1/1968	Smith .....	D62/2
D210,701 S	4/1968	Coons	
D212,153 S	9/1968	Wagner .....	D23/17
3,437,273 A	4/1969	Hagfors	
D223,491 S	4/1972	Smart et al. ....	D23/17
D226,712 S	4/1973	Tada et al. ....	D23/17
D228,657 S	10/1973	Anderson .....	D23/17
D234,053 S	1/1975	Raffler et al. ....	D23/17
D239,372 S	3/1976	Brooks et al.	
D240,036 S	5/1976	Tada	

**Related U.S. Application Data**

(62) Division of application No. 29/282,388, filed on Jul. 18, 2007, which is a division of application No. 29/242,971, filed on Nov. 17, 2005, now Pat. No. Des. 551,973.

(51) **LOC (8) Cl.** ..... **09-07**

(52) **U.S. Cl.** ..... **D9/448**

(58) **Field of Classification Search** ..... D9/685,  
D9/448, 447, 435, 434; D23/226, 223, 213;  
239/459, 415, 414; D6/542; 222/153.1  
See application file for complete search history.

(56) **References Cited**

**U.S. PATENT DOCUMENTS**

D122,045 S	8/1940	Potter	
D133,394 S	8/1942	Sundberg et al.	
D133,395 S	8/1942	Tammen	
D152,325 S	1/1949	Cissell .....	D62/2
D159,162 S	6/1950	Pavey et al. ....	D62/2
D179,285 S	11/1956	Francis .....	D91/1
D180,486 S	6/1957	Koeppel .....	D91/1
D183,070 S	6/1958	Stillson .....	D62/2
2,910,248 A	10/1959	Kueter et al.	
2,936,097 A	5/1960	Loria et al.	
2,991,945 A	7/1961	Rosenkranz	
3,056,557 A	10/1962	Walberg	
D199,098 S	9/1964	Tyler .....	D62/2
D202,144 S	8/1965	Thompson .....	D62/2
D207,636 S	5/1967	Clevenger et al.	

(Continued)

*Primary Examiner*—Gary D. Watson  
*Assistant Examiner*—Susan Bennett Hattan

(57) **CLAIM**

The ornamental design for a spray nozzle, as shown and described.

**DESCRIPTION**

FIG. 1 is a perspective view of a spray nozzle in accordance with the present invention;

FIG. 2 is a top view of the spray nozzle of FIG. 1;

FIG. 3 is a left side view of the spray nozzle of FIG. 1, the right side view being a mirror image thereof;

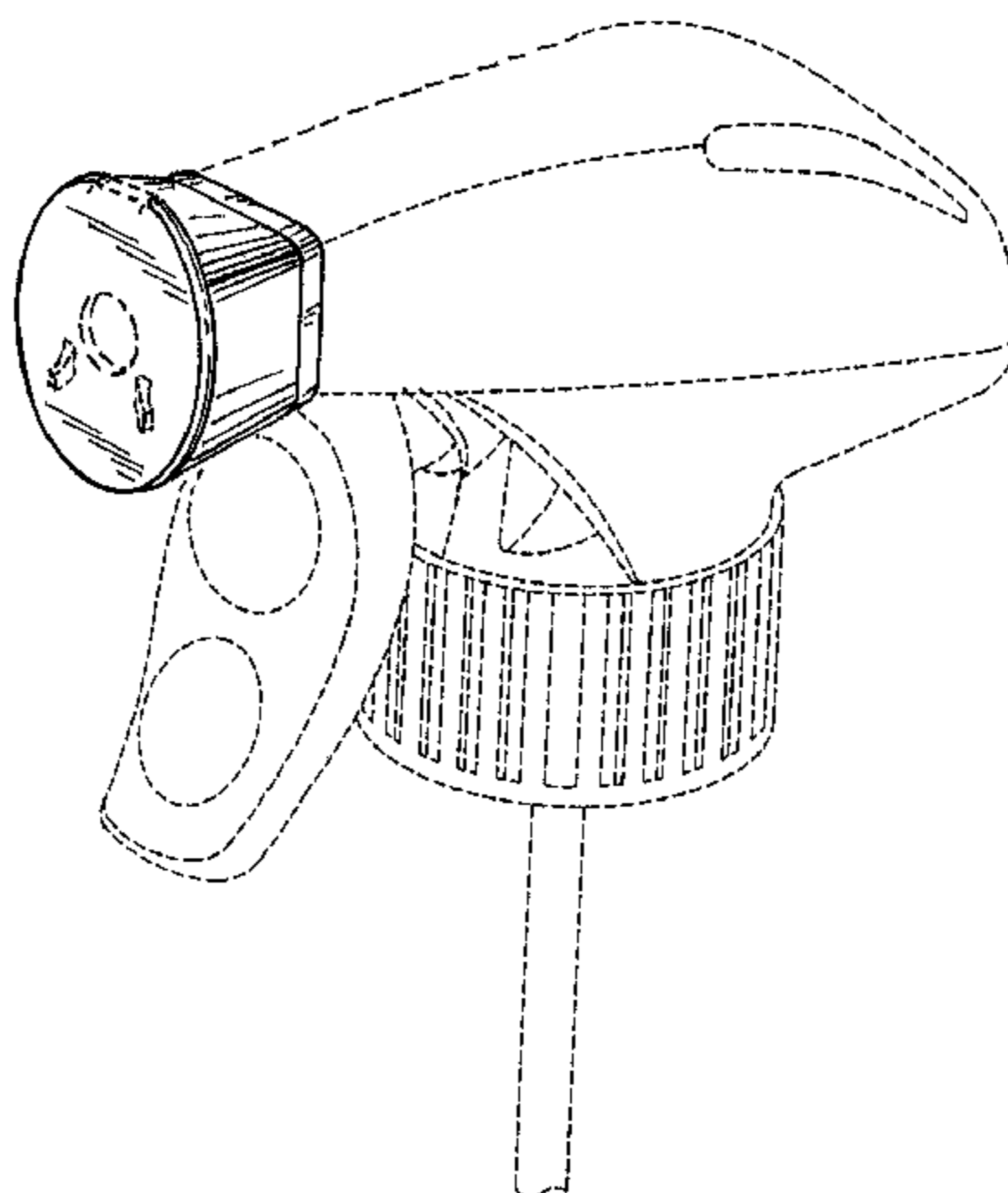
FIG. 4 is a front view of the spray nozzle of FIG. 1;

FIG. 5 is a back view of the spray nozzle of FIG. 1; and,

FIG. 6 is a bottom view of the spray nozzle of FIG. 1.

In all Figures, the shaded area(s) represent(s) the bounds of the claimed design. All broken lines represent the remaining portion of the spray nozzle, a sprayer shroud, and portions of a sprayer apparatus which are provided for illustrative purposes only and form no part of the claimed design.

**1 Claim, 3 Drawing Sheets**



# US D569,726 S

U.S. PATENT DOCUMENTS					
D241,543 S	9/1976	Tada	D387,129 S	12/1997	Shiao
D242,351 S	11/1976	Tada	D394,007 S	5/1998	Foster et al.
D243,180 S	1/1977	Federico et al.	D394,008 S	5/1998	Foster et al.
D243,333 S	2/1977	Tada	D394,009 S	5/1998	Foster et al.
D247,366 S	2/1978	Jones et al.	D394,491 S	5/1998	Guo
D251,381 S	3/1979	Reed	D396,523 S	7/1998	Adams
D256,271 S	8/1980	Tada	D397,421 S	8/1998	Adams
D256,946 S	9/1980	Campbell et al.	D398,371 S	9/1998	Sundahl
D257,740 S	12/1980	Humphrey, II et al.	D400,102 S	10/1998	Tada
D260,236 S	8/1981	Anderson et al.	D406,060 S	2/1999	Dumont et al.
D268,204 S	3/1983	Wesner et al.	D406,762 S	3/1999	Durliat
D272,081 S	1/1984	Suhajda et al.	D407,975 S	4/1999	Lund et al.
D275,456 S	9/1984	Martin	D409,487 S	5/1999	Wadsworth et al.
D277,978 S	3/1985	Bundschuh	D409,915 S	5/1999	Durliat et al.
D282,392 S	1/1986	Hengesbach	D409,917 S	5/1999	Wadsworth et al.
D285,713 S	9/1986	Garneau	D409,918 S	5/1999	Wadsworth et al.
D291,113 S	7/1987	Bauer	D410,995 S	6/1999	Hsin-Fa
D291,415 S	8/1987	Abplanalp	D411,607 S	6/1999	Wang
D293,127 S	12/1987	Hengesbach	D412,736 S	8/1999	Chen
D293,707 S	1/1988	Tada	D415,252 S	10/1999	Kuo
D293,929 S	1/1988	Verhees	D415,253 S	10/1999	Kuo
D294,287 S	2/1988	Verhees	D417,151 S	11/1999	Spengler
D298,848 S	12/1988	Chow et al.	D418,755 S	1/2000	Durliat
D299,949 S	2/1989	Maas	D419,876 S	2/2000	Keung
D300,170 S	3/1989	Chow et al.	D420,427 S	2/2000	Yung
D307,843 S	5/1990	Parshall	D420,914 S	2/2000	Cummings
D310,706 S	9/1990	Heren et al.	D421,388 S	3/2000	Cummings
D312,299 S	11/1990	Kao	D421,718 S	3/2000	Durliat et al.
D314,421 S	2/1991	Tajima et al.	D422,216 S	4/2000	Brozell
D314,916 S	2/1991	Brooks	D422,823 S	4/2000	Daansen
D315,014 S	2/1991	Clivio	D422,913 S	4/2000	Brozell
D318,712 S	7/1991	Buschor	D423,934 S	5/2000	Brozell
D320,643 S	10/1991	Stansbury	D424,939 S	5/2000	Fan et al.
D325,241 S	4/1992	Buschor	D428,471 S	7/2000	Gustafsson
D326,138 S	5/1992	Clivio	D432,629 S	10/2000	Jacobs
D326,707 S	6/1992	Silvenis et al.	D433,943 S	11/2000	Keung et al.
D327,222 S	6/1992	Fuchs	D434,830 S	12/2000	Liou
D328,635 S	8/1992	Matuschek	D435,448 S	12/2000	Trepina et al.
D330,069 S	10/1992	Feyen	D435,792 S	1/2001	Peloquin
D332,570 S	1/1993	Tiramani et al.	D437,225 S	2/2001	Keung
D332,652 S	1/1993	Foster et al.	D438,111 S	2/2001	Woods
D333,609 S	3/1993	Beaumont	D438,112 S	2/2001	Keung
D334,615 S	4/1993	Berfield et al.	D439,164 S	3/2001	Keung et al.
D337,811 S	7/1993	Valley et al.	D441,424 S	5/2001	Guo
D337,945 S	8/1993	Warner	D442,088 S	5/2001	Trepina et al.
D342,899 S	1/1994	Battegazzore	D446,721 S	8/2001	Kimble et al.
D343,577 S	1/1994	Proctor	D447,217 S	8/2001	Jacobs et al.
D346,547 S	5/1994	Steijns et al.	D447,415 S	9/2001	Spengler
D347,464 S	5/1994	Kingston et al. .... D23/223	D447,790 S	9/2001	Heren et al.
D351,646 S	10/1994	Foster et al.	D449,988 S	11/2001	Keung
D352,546 S	11/1994	Silvenis et al.	D450,241 S	11/2001	Erhardt et al.
D354,226 S	1/1995	Foster et al.	D451,582 S	12/2001	Kuo
D354,332 S	1/1995	Wang	D451,981 S	12/2001	Ericksen
D355,361 S	2/1995	Steijns et al.	D453,548 S	2/2002	Wang
D357,408 S	4/1995	Silvenis et al.	D454,778 S	3/2002	Siebert et al.
D358,198 S	5/1995	Wadsworth	D454,787 S	3/2002	Cummings
5,477,989 A	12/1995	Maas et al.	D456,262 S	4/2002	Cummings
D366,692 S	1/1996	Wadsworth	D457,221 S	5/2002	Alkalay et al.
D369,206 S	4/1996	Wang ..... D23/223	D458,845 S	6/2002	Keung
D370,713 S	6/1996	Guo ..... D23/223	D459,440 S	6/2002	Chen
D372,517 S	8/1996	Farnsteiner ..... D23/223	D459,786 S	7/2002	Sweeton
D373,312 S	9/1996	Lin	D462,741 S	9/2002	Guo
D373,313 S	9/1996	Lin	D463,527 S	9/2002	Guo
D376,839 S	12/1996	Hung	D463,972 S	10/2002	Perrin et al.
D377,602 S	1/1997	Wadsworth	D466,187 S	11/2002	Kuo
D381,581 S	7/1997	Wadsworth	D466,584 S	12/2002	Hubmann et al.
D382,936 S	8/1997	Shfaram	D467,992 S	12/2002	Chen
D385,492 S	10/1997	Foster et al.	D468,803 S	1/2003	Nien
D386,684 S	11/1997	Marogil	D468,804 S	1/2003	Nien
D386,854 S	11/1997	Koptis	D468,805 S	1/2003	Czerwinski, Jr.
D387,128 S	12/1997	Wang	D469,850 S	2/2003	Nien
			D471,252 S	3/2003	Jeng
			D471,619 S	3/2003	Nien

# US D569,726 S

Page 3

---

D471,812 S	3/2003	Tadas	D492,598 S	7/2004	Foster et al.
D474,256 S	5/2003	Hubmann et al.	D494,866 S	8/2004	Guala
D475,121 S	5/2003	Kuo	D495,398 S	8/2004	Yeager
D475,122 S	5/2003	Kuo	D495,399 S	8/2004	Guala
D475,294 S	6/2003	Foster et al.	D495,779 S	9/2004	Turnbull et al.
D479,305 S	9/2003	Zittel et al.	D497,661 S	10/2004	Chen
D480,124 S	9/2003	Hubmann et al.	D499,024 S	11/2004	Sweeton
D482,430 S	11/2003	Jou	D499,167 S	11/2004	Sweeton
D484,947 S	1/2004	Chen	D504,493 S	4/2005	Huang
D486,554 S	2/2004	Nien	D505,481 S	5/2005	Harper et al.
D487,223 S	3/2004	Arai et al.	D513,384 S	1/2006	Perry
D487,797 S	3/2004	Chen	D541,655 S *	5/2007	Alluigi ..... D9/448
D488,535 S	4/2004	Foster et al.			
D488,536 S	4/2004	Yean			
D489,792 S	5/2004	Chen			

\* cited by examiner



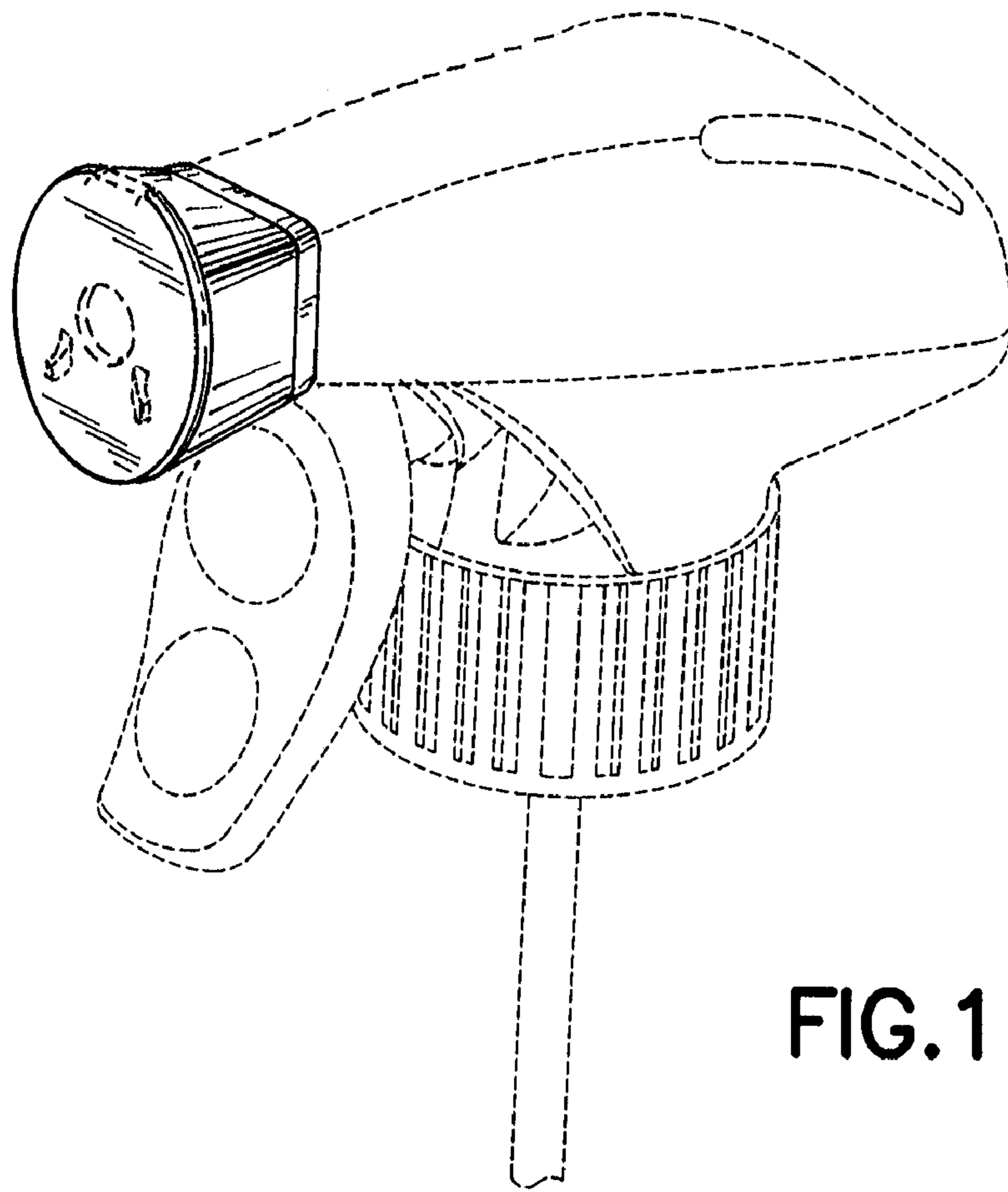


FIG. 1

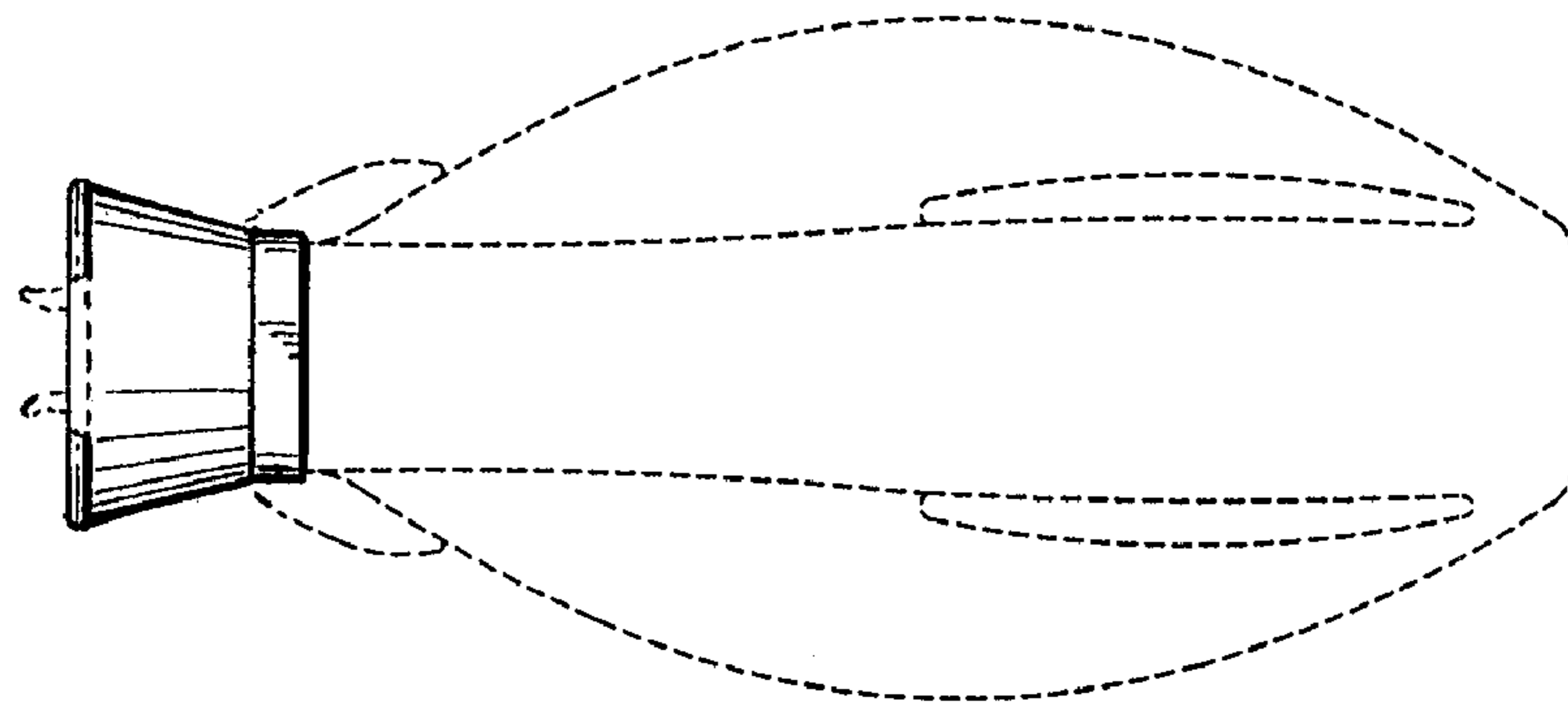


FIG. 2

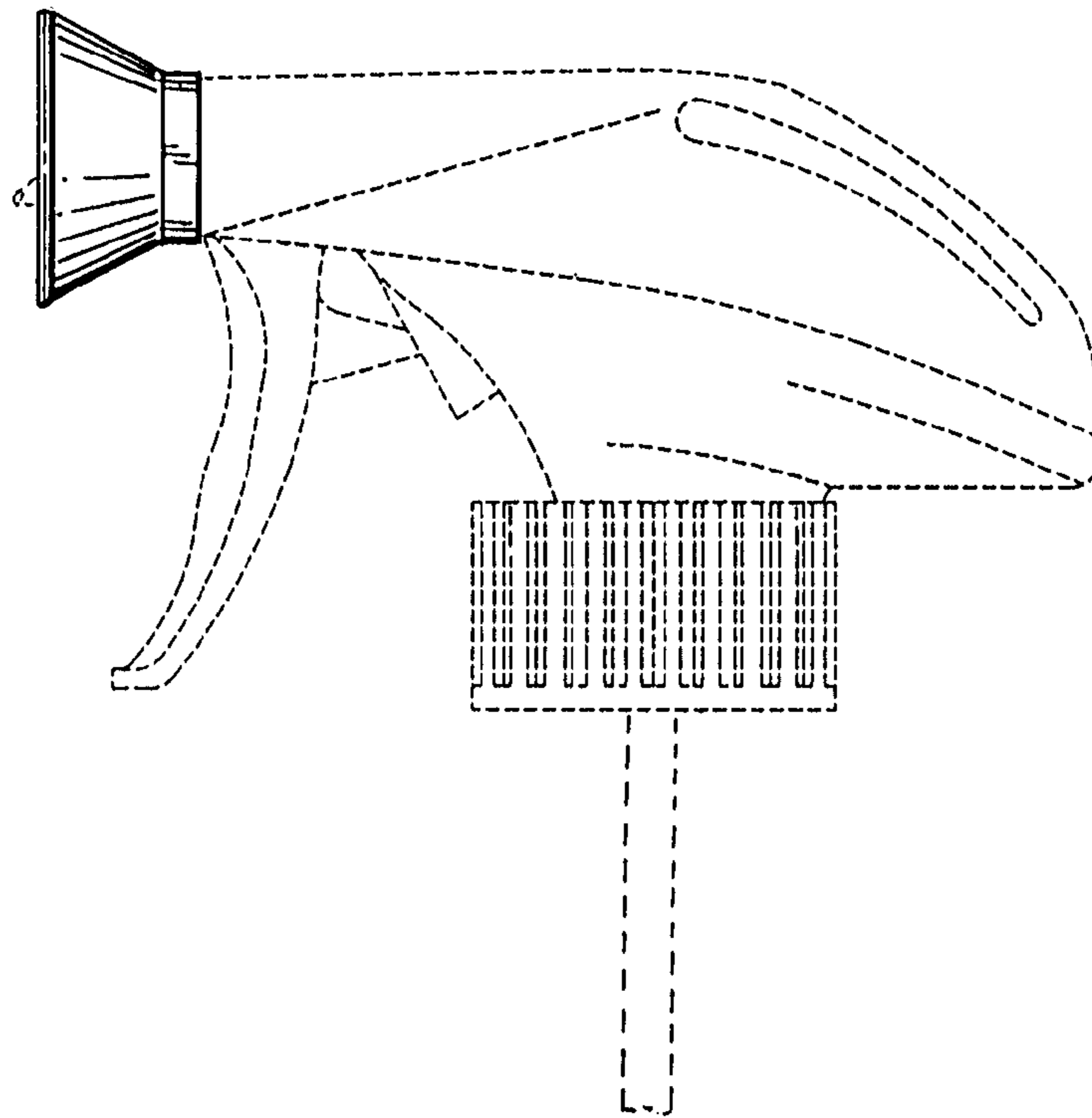


FIG.3

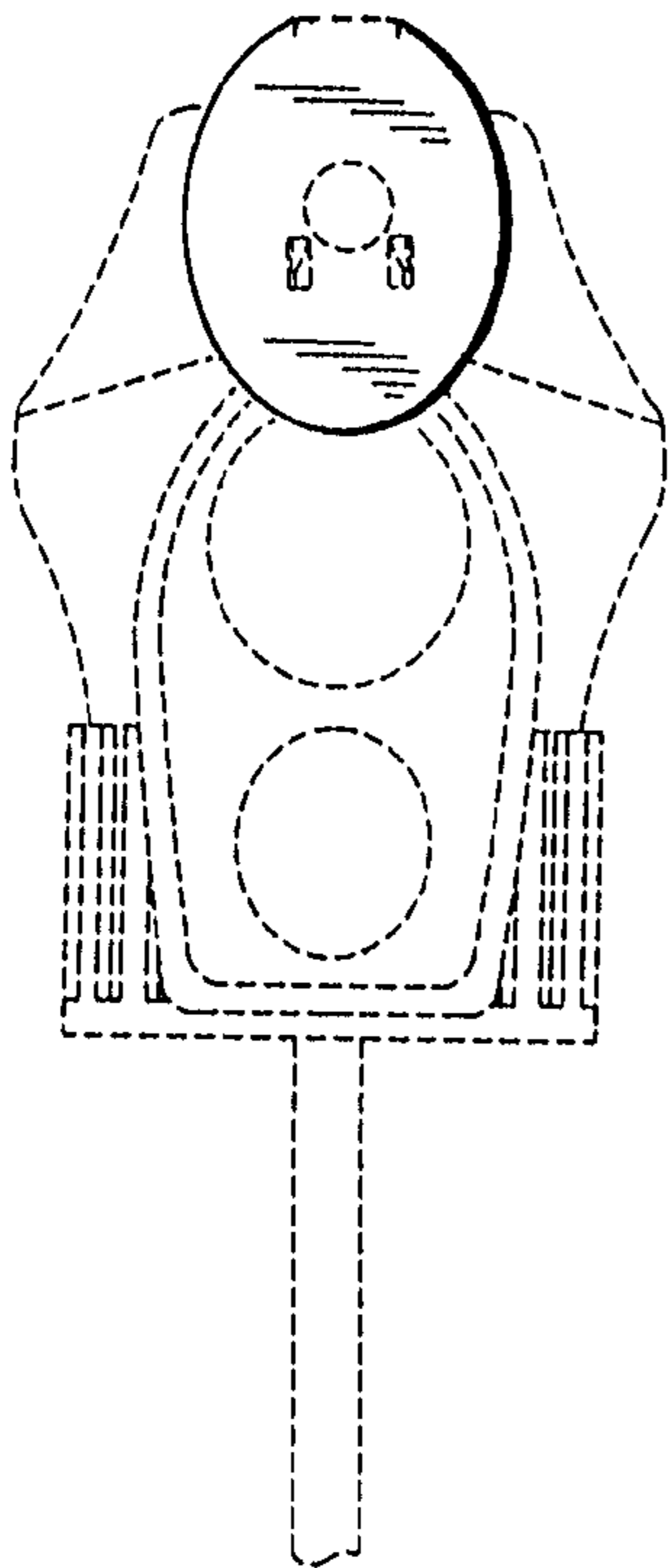


FIG.4

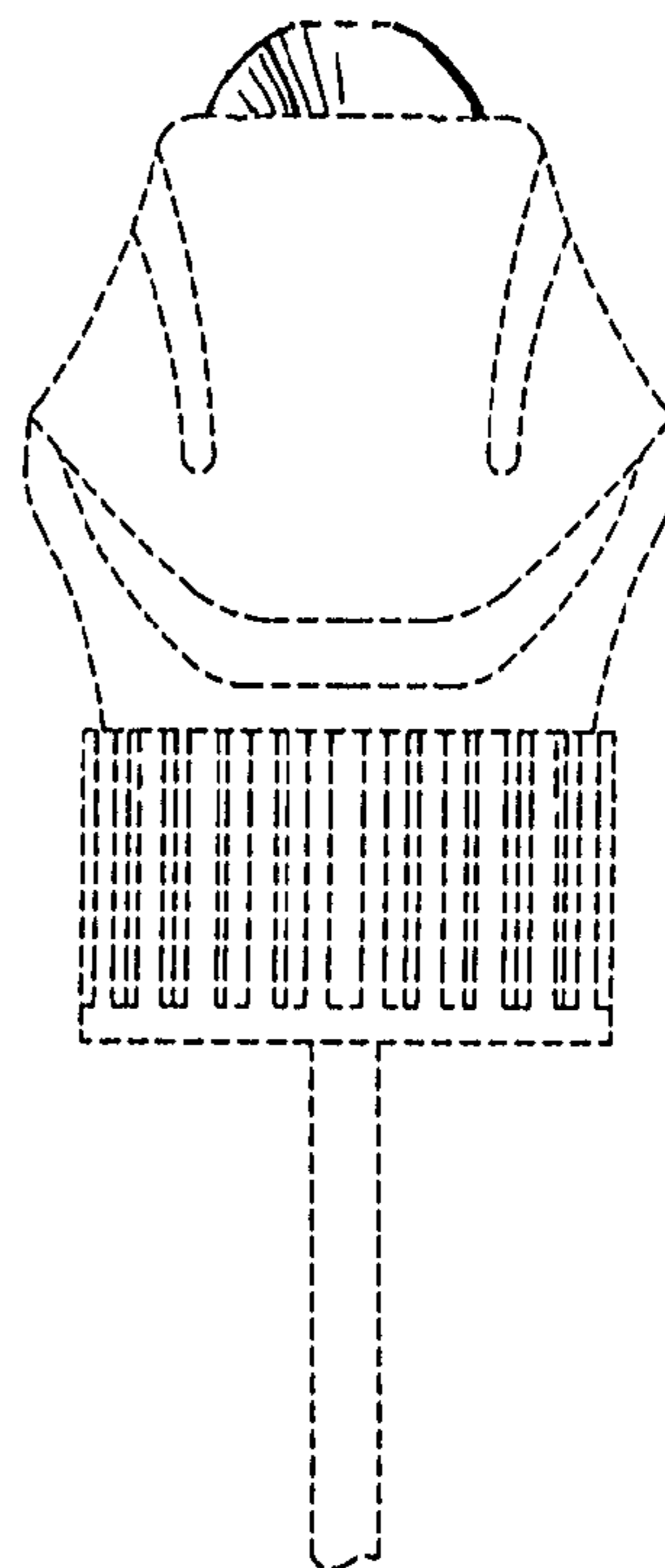


FIG.5

FIG. 6

